

	PROJECT	BLDG 2615	DWG. NO.	1 OF 2
	BRANCH OFFICE	GATEWAY CENTER	CAMP LEJEUNE NC	ORDER NO.
	LOCATION	MORRISVILLE NC	WATSON ELECTRIC	RPO NO.
	TEL. NO.	919-467-3666	DRN. BY: R6	APPVD. BY:

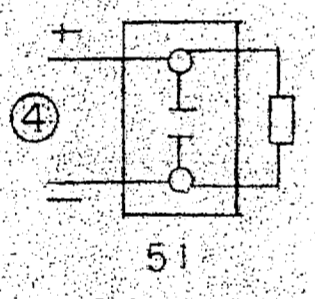
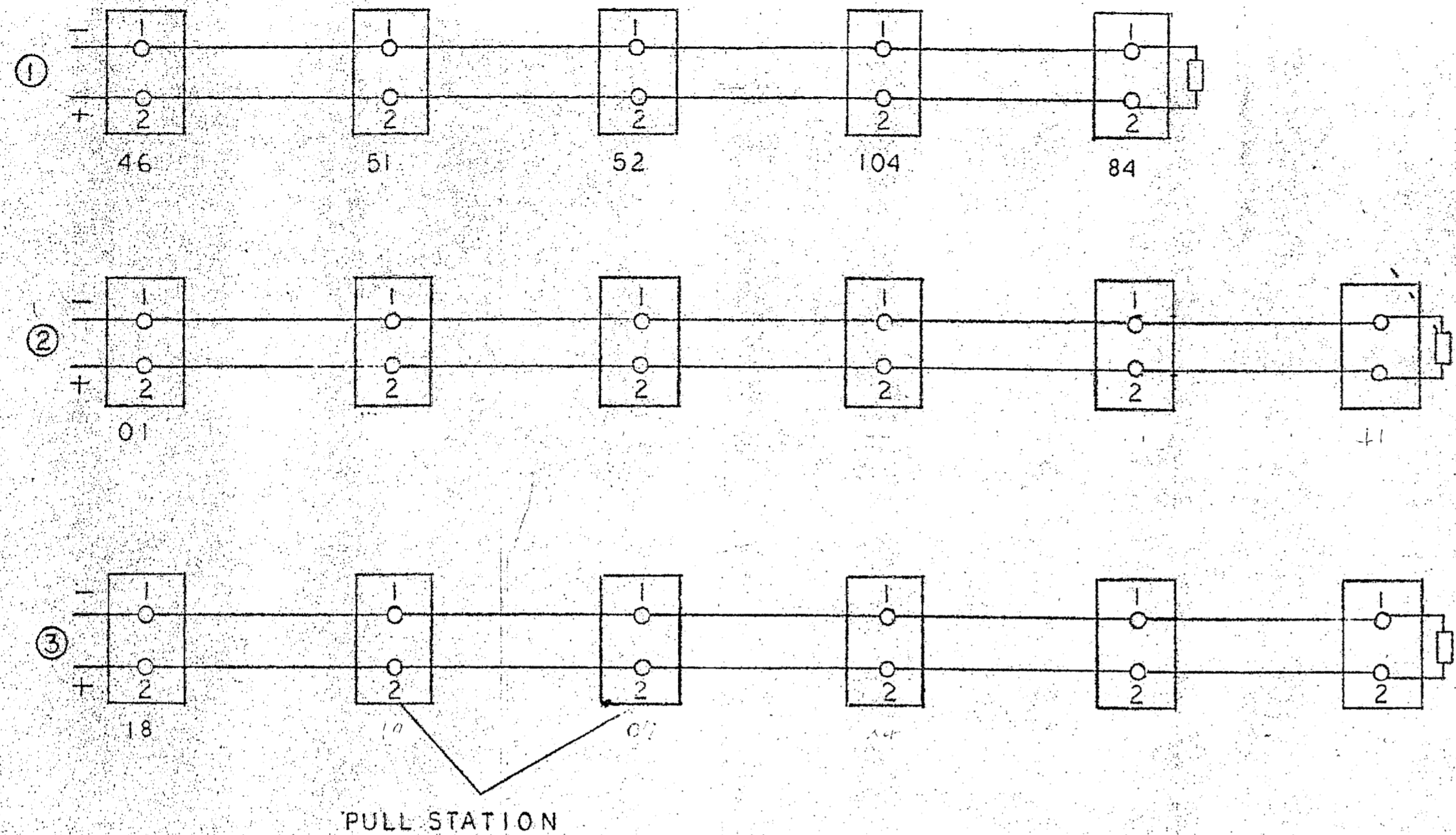
10

10

10

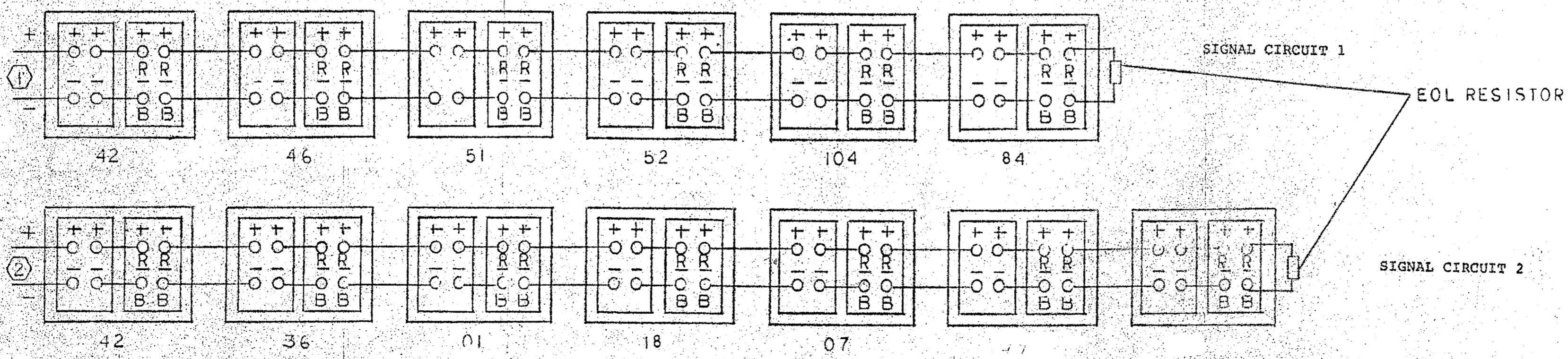
10

ZONE TERMINATIONS



SIGNAL CIRCUITS

HORN VISUAL



		PROJECT	DWG. NO.	REV
		BLDG 2615	2 OF 2	
BRANCH OFFICE	GATEWAY CENTER	CAMP LEJEUNE NC	ORDER NO.	
LOCATION	MORRISVILLE NC	WATSON ELECTRIC	RPO NO.	
TEL. NO.	919 467 3666	DRN. BY: R6	APPVD. BY:	

