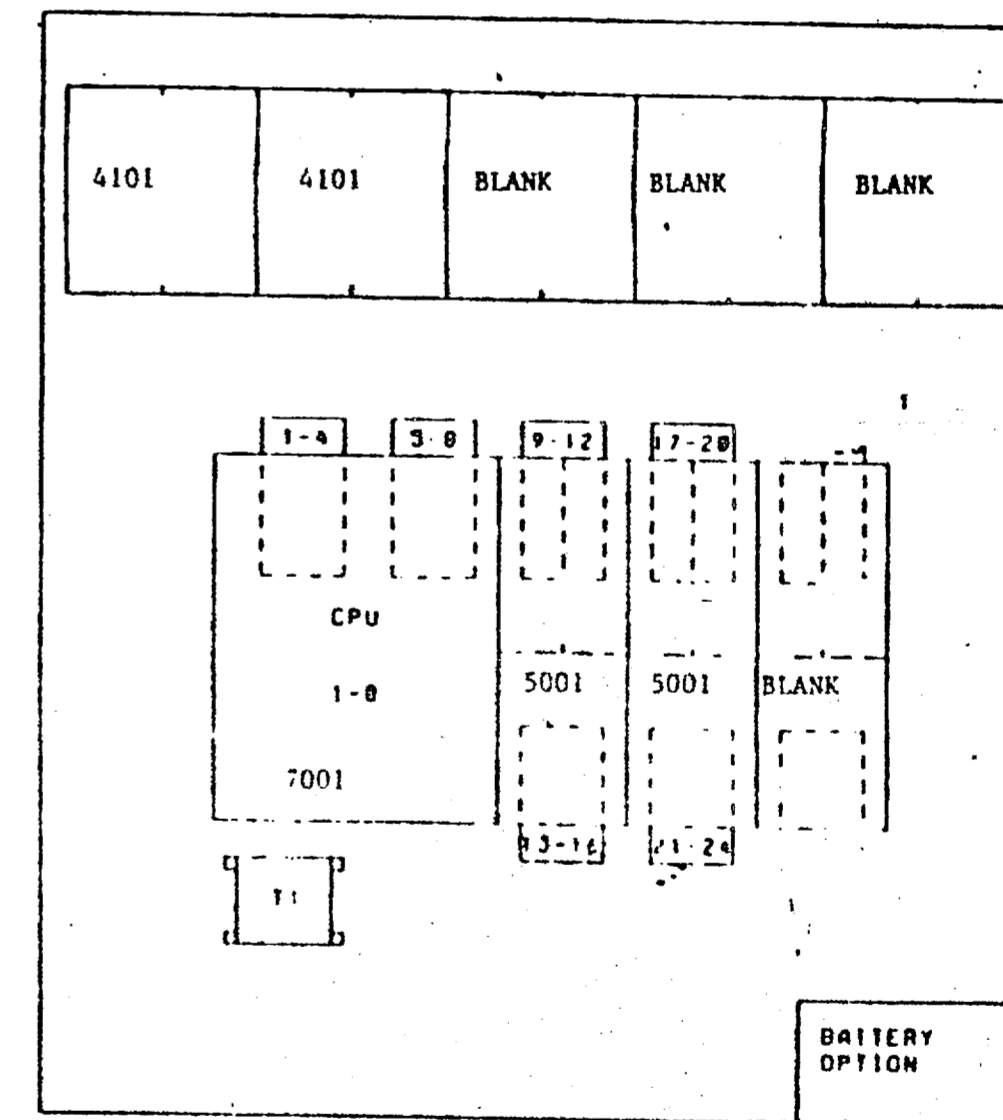
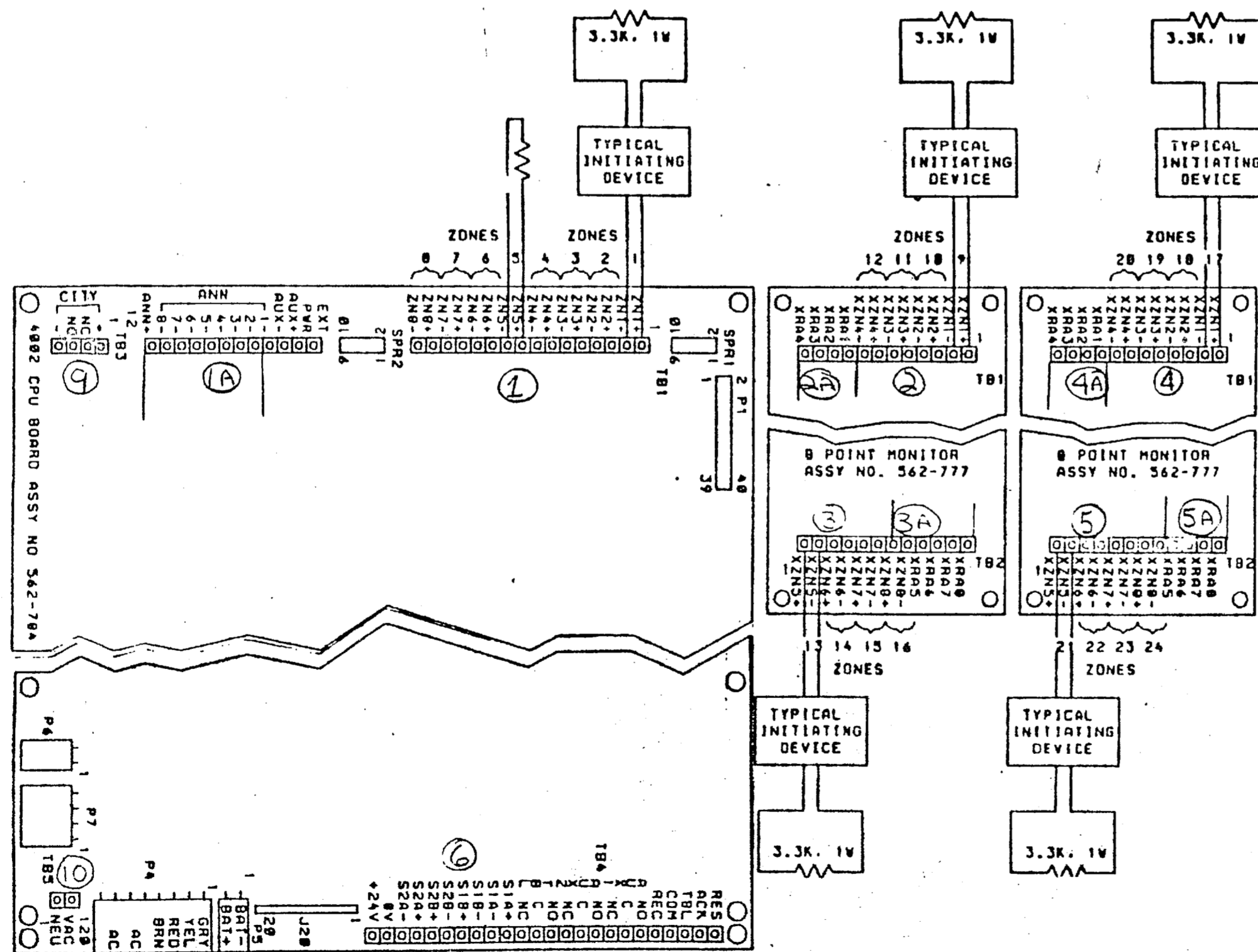


NOTES

(1) (2) (3) (4) (5) (6) (7) (8) (9) (10)
 Indicate terminal strips for connections
 of field wiring on following pages

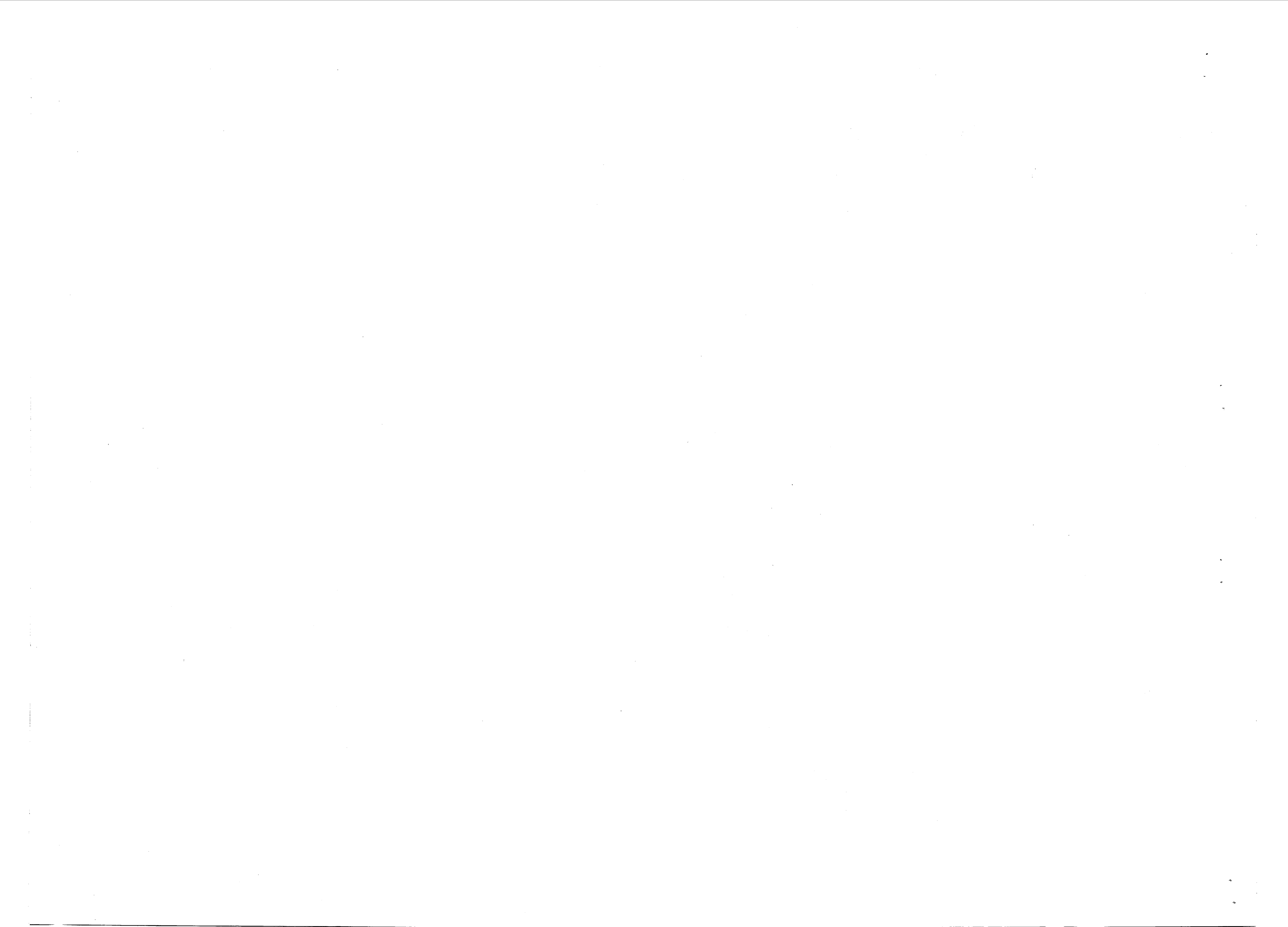
4002-7001 CPU-8 Zones Class B
 2 Signal Circuits
 4002-5001 8 Zones Class B
 4002-4101 2 Signal Circuits Class B

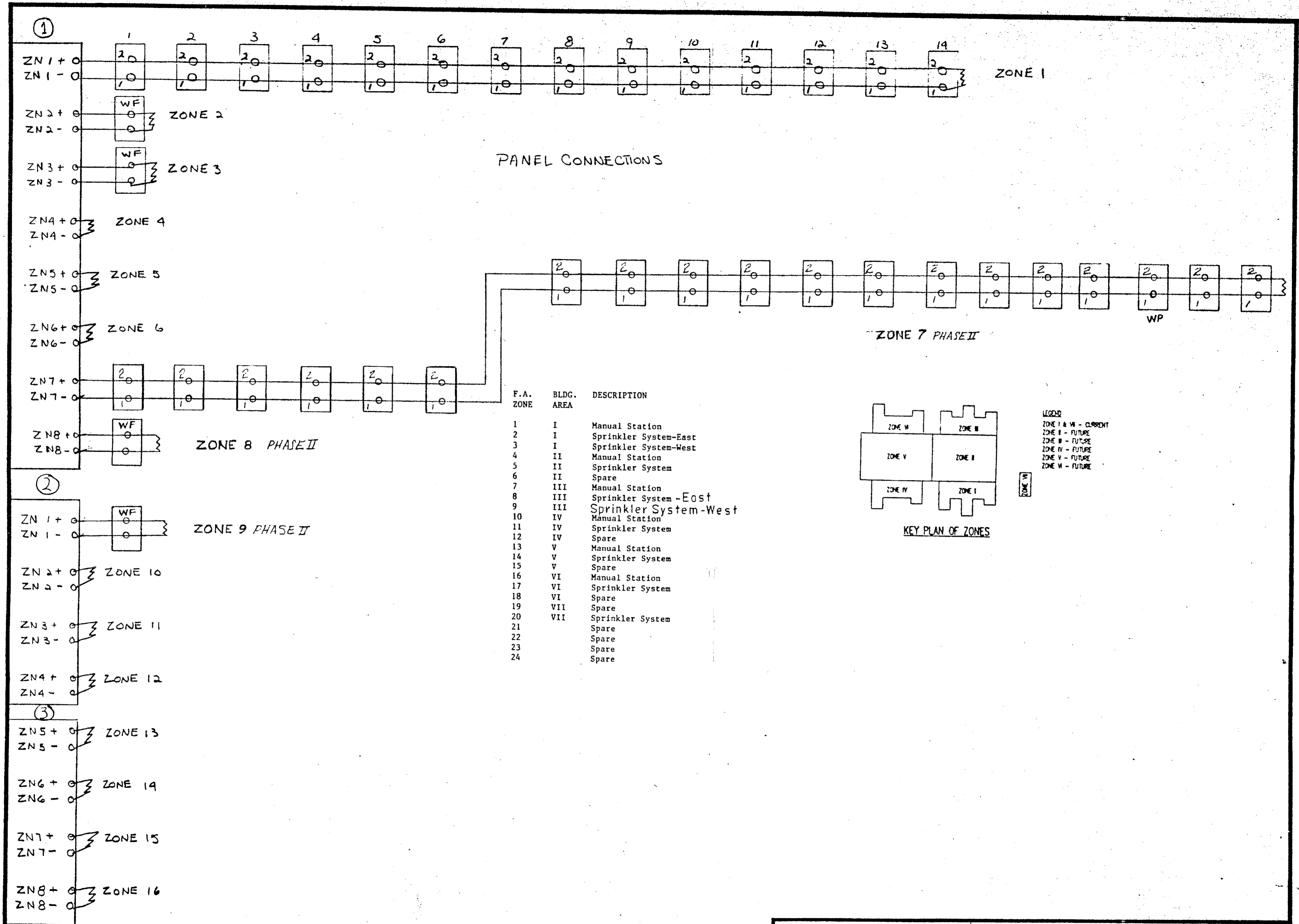
4 UNIT CLASS B MONITOR ZONE TERMINATIONS



4 UNIT PANEL LAYOUT

Simplex Time Recorder Co. BRANCH OFFICE 2500 GATEWAY CENTRE BLVD LOCATION MORRISVILLE, N.C. TEL. NO. 467-3660	PROJECT	FIELD MAINT. COMPLEX	DWG NO	REV
		CAMP LESEUNE	1 OF 5	
		PHASE II	ORDER NO.	
		WATSON ELECTRIC	RPQ NO.	
	DRN BY		APPVD BY	

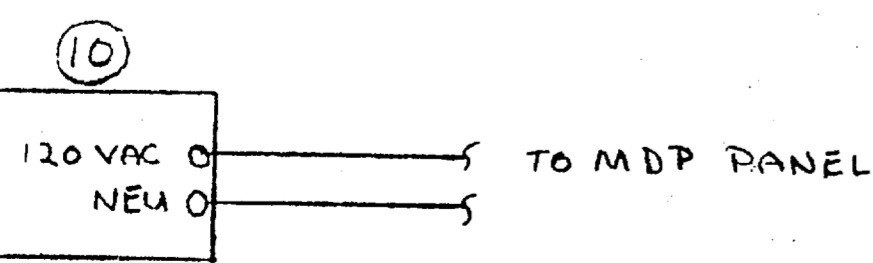
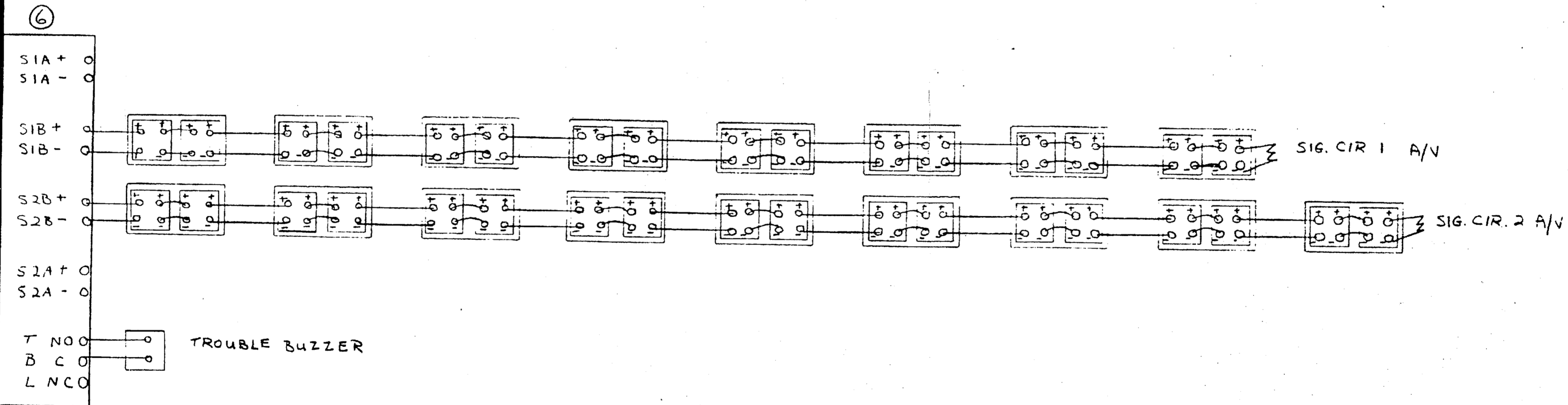
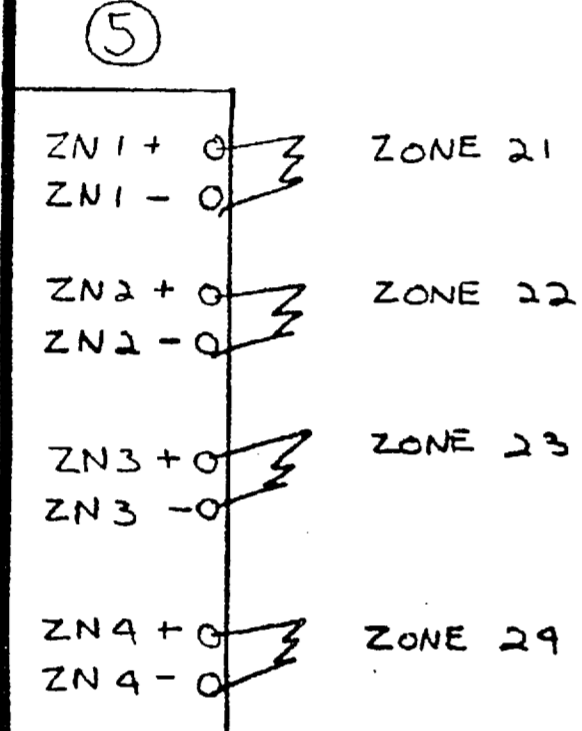
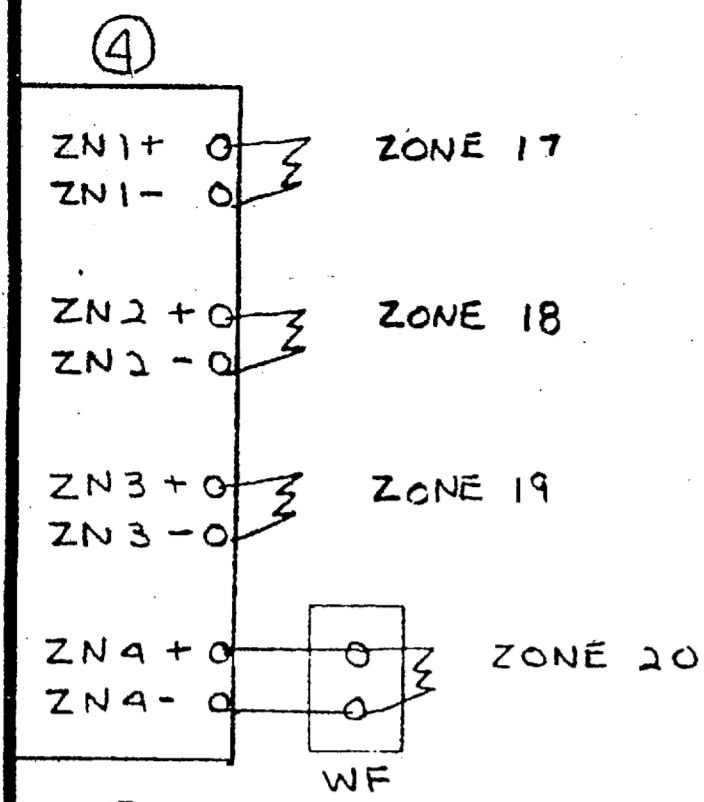




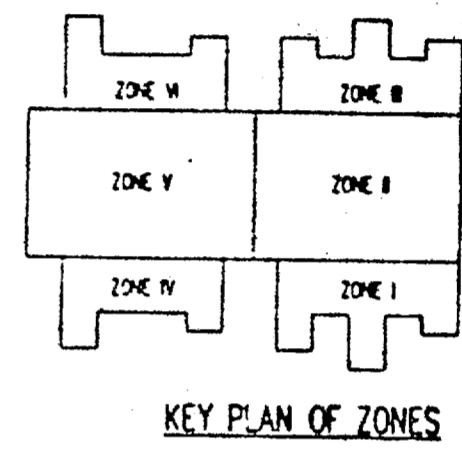
F.A. ZONE	BLDG. AREA	DESCRIPTION
1	I	Manual Station
2	I	Sprinkler System-East
3	I	Sprinkler System-West
4	II	Manual Station
5	II	Sprinkler System
6	II	Spare
7	III	Manual Station
8	III	Sprinkler System - East
9	III	Sprinkler System - West
10	IV	Manual Station
11	IV	Sprinkler System
12	IV	Spare
13	V	Manual Station
14	V	Sprinkler System
15	V	Spare
16	VI	Manual Station
17	VI	Sprinkler System
18	VI	Spare
19	VII	Spare
20	VII	Sprinkler System
21		Spare
22		Spare
23		Spare
24		Spare

	PROJECT	FIELD MAINT. COMPLEX	DWG NO	REV
		CAMP LESEUNE	2 OF 5	
BRANCH OFFICE	2500 GATE WAY CENTRE BLVD	PHASE II	ORDER NO.	
LOCATION	MORRISVILLE, N.C. 27560	WATSON ELECTRIC	RPO NO.	
TEL. NO.	467-3666	DRN BY		BY

PANEL CONNECTIONS

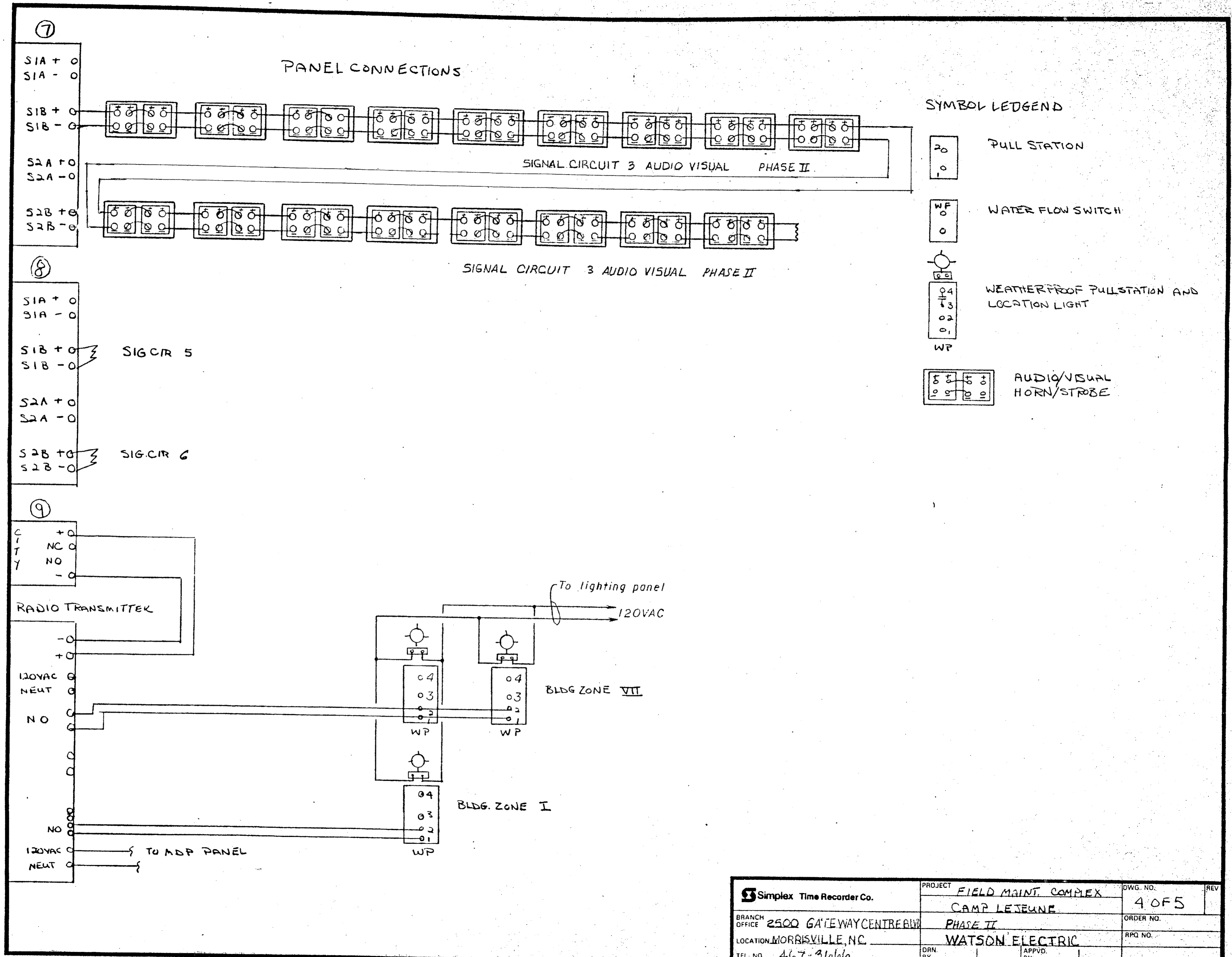


F.A. ZONE	BLDG. AREA	DESCRIPTION
1	I	Manual Station
2	I	Sprinkler System-East
3	I	Sprinkler System-West
4	II	Manual Station
5	II	Sprinkler System
6	II	Spare
7	III	Manual Station
8	III	Sprinkler System-East
9	III	Sprinkler System-West
10	IV	Manual Station
11	IV	Sprinkler System
12	IV	Spare
13	V	Manual Station
14	V	Sprinkler System
15	V	Spare
16	VI	Manual Station
17	VI	Sprinkler System
18	VI	Spare
19	VII	Spare
20	VII	Sprinkler System
21		Spare
22		Spare
23		Spare
24		Spare



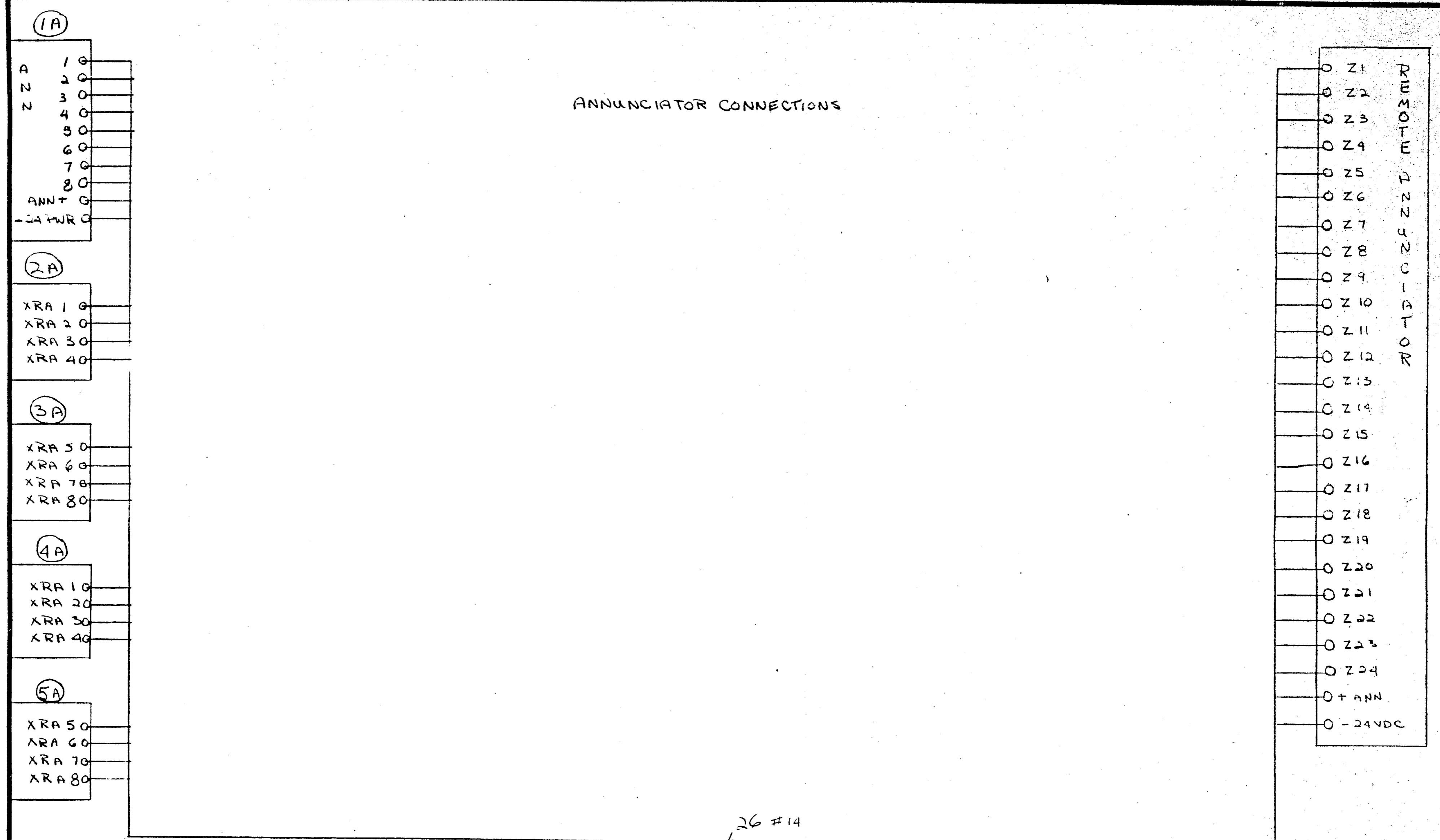
LEGEND
 ZONE I & VI - CURRENT
 ZONE II - FUTURE
 ZONE III - FUTURE
 ZONE IV - FUTURE
 ZONE V - FUTURE

	PROJECT	FIELD MAINT. COMPLEX	DWG. NO.	REV
	BRANCH OFFICE	CAMP LESEUNE	3 OF 5	
LOCATION	2500 GATEWAY CENTRE BLVD	PHASE 7E	ORDER NO.	
TEL. NO.	MORRISVILLE, NC	467-3666	RPO NO.	
DRN BY	APPVD BY	WATSON ELECTRIC		



Simplex Time Recorder Co. BRANCH OFFICE 2500 GATEWAY CENTRE BLVD LOCATION MORRISVILLE, N.C. TEL. NO. 467-3666	PROJECT FIELD MAINT. COMPLEX CAMP LEJEUNE PHASE II	DWG. NO. 4 OF 5 ORDER NO. RPQ NO.	REV
	DRN. BY APPVD. BY	WATSON ELECTRIC	

ANNUNCIATOR CONNECTIONS



26 #14

	PROJECT	FIELD MAINT COMPLEX	DWG. NO.	5 OF 5
	BRANCH OFFICE	2500 GATEWAY CENTRE BLVD	CAMP LESEUNE	ORDER NO.
LOCATION	MORRISVILLE, NC	PHASE II	WATSON ELECTRIC	RPO NO.
TEL. NO.	467-3666	DRN. BY	APPVD. BY	

