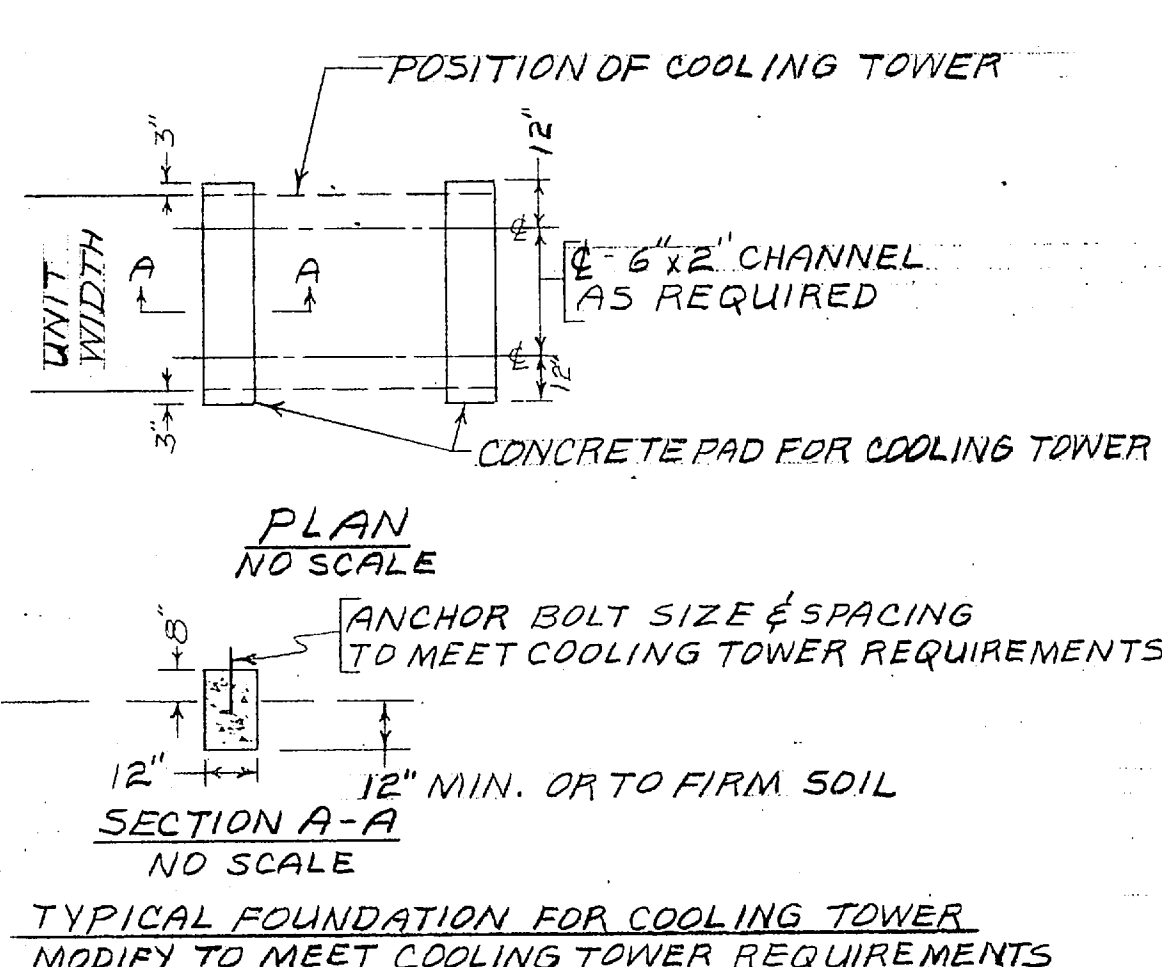
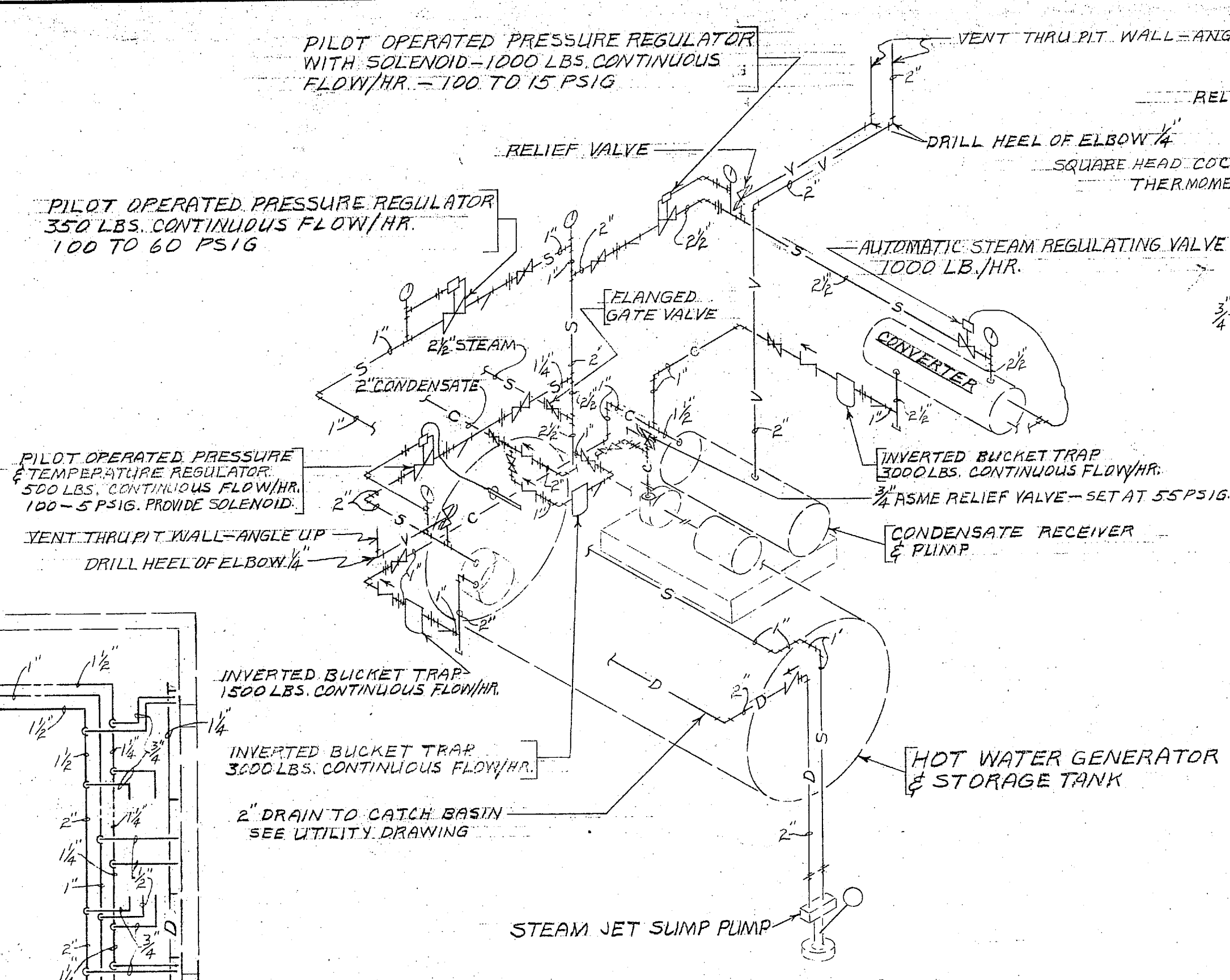


COOLING TOWER PIPING SCHEMATIC
NO SCALE

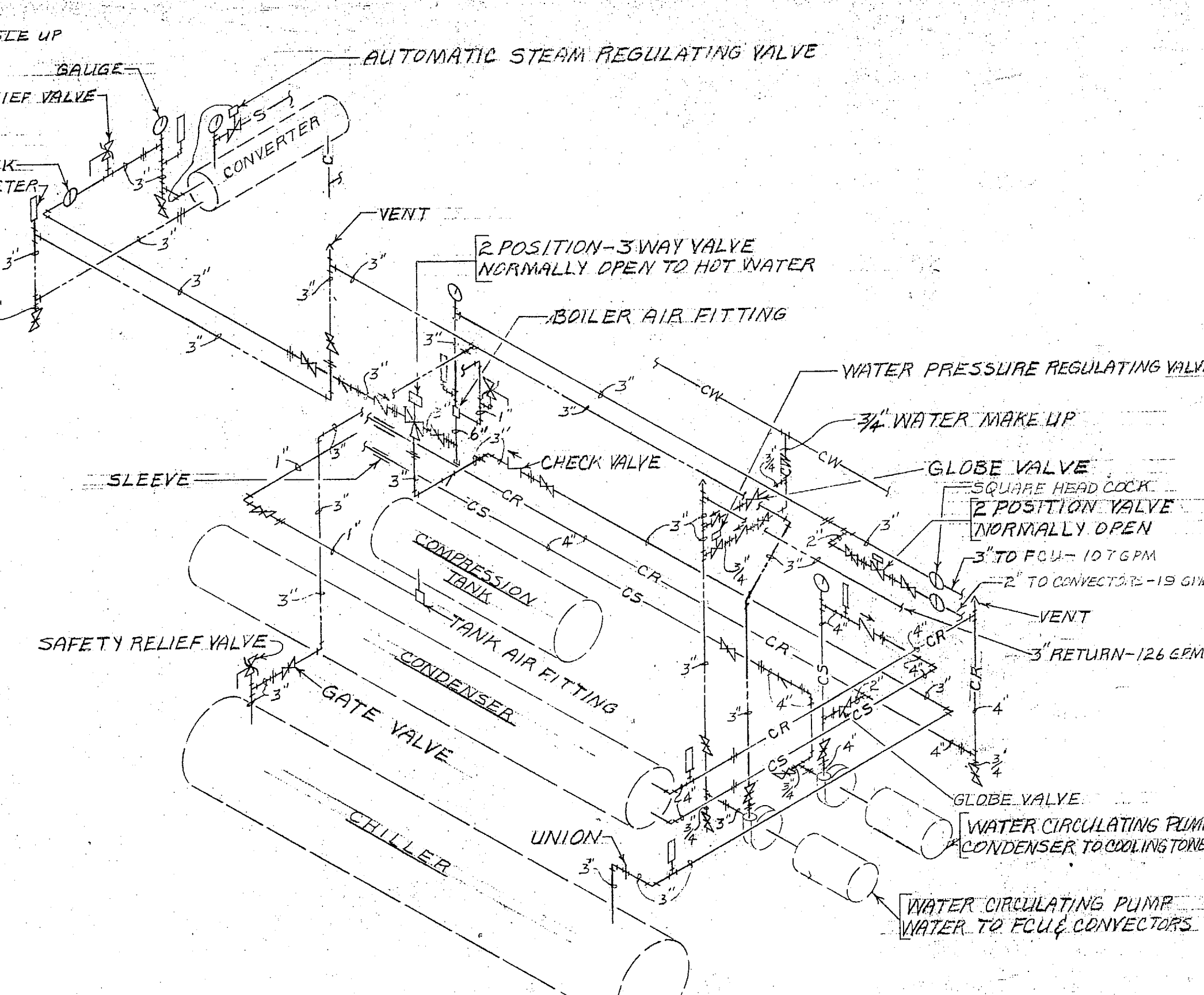


PLAN NO SCALE
SECTION A-A NO SCALE

TYPICAL FOUNDATION FOR COOLING TOWER
MODIFY TO MEET COOLING TOWER REQUIREMENTS



STEAM PIT PIPING SCHEMATIC
NO SCALE

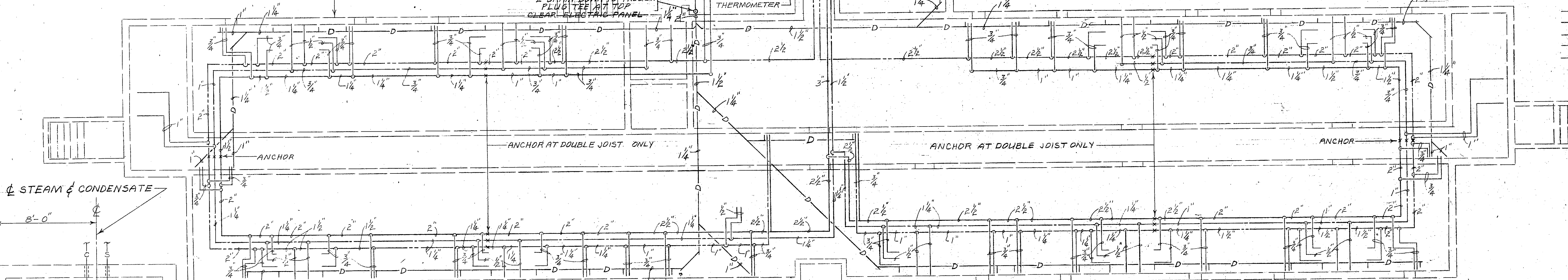


MECHANICAL ROOM PIPING SCHEMATIC
NO SCALE

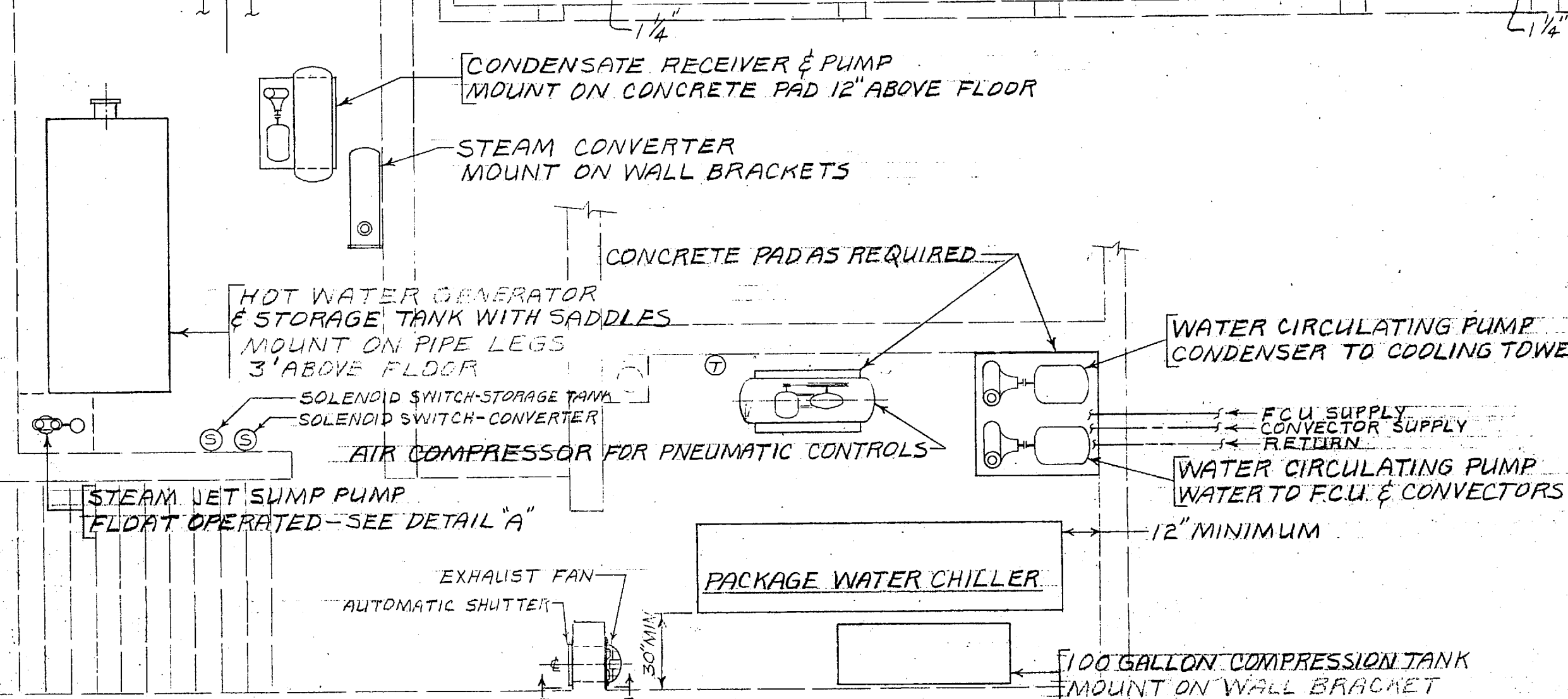
LEGEND

—	WATER SUPPLY TO FCU	○	SQUARE HEAD COCK
—	WATER SUPPLY TO CONVECTORS	—	UNION
—	WATER RETURN LINE	—	PIPE ANCHOR
S	STEAM LINE	—	ELL
C	CONDENSATE LINE	—	TEE
D	DRAIN LINE	—	THERMOMETER & TEE
V	VENT LINE	—	RELIEF VALVE
CS	CONDENSER SUPPLY	—	VENT & TEE
CR	CONDENSER RETURN	—	GAUGE & TEE
CW	MAKE UP WATER	—	CONTROL VALVE
—	SLEEVE	—	THERMOMETER
—	GLOBE VALVE	—	
—	GATE VALVE	—	
—	CHECK VALVE	—	
—	STRAINER	—	
—	FCU	—	
—	CONV.	—	

- NOTES:
1. SLOPE ALL WATER PIPES UP IN DIRECTION OF FLOW.
 2. SLOPE FCU CONDENSATE DRAIN DOWN TO MECHANICAL PIT.
 3. CONDENSATE DRAIN RISER TO ALL FCU SHALL BE 3/4" DIA.
 4. PIPE RELIEF VALVE DRAINS TO FLOOR.
 5. ALL ROTATING UNITS SHALL BE EFFECTIVELY SOUND ISOLATED FROM THE BUILDING STRUCTURE BY APPROVED ISOLATION UNITS. SEE SPECIFICATION.
 6. PIPING SHALL BE INSTALLED TO APPROACH A CONDITION FREE OF EXCESSIVE STRESS.
 7. SPACING OF PIPE SUPPORTS SHALL BE IN ACCORDANCE WITH 214.
 8. CHALK SLEEVES IN EXPOSED WALLS WITH LEAD.
 9. SIZE RELIEF VALVES IN WATER LINES AT 1,200,000-BTU AND SET AT 34 LB.
 10. PROVIDE PIPE SLEEVES WHERE ALL PIPES PASS THROUGH MASONRY WALLS OR FLOORS.
 11. PROVIDE DRAINS FOR ALL LOW POINTS OF WATER PIPING.



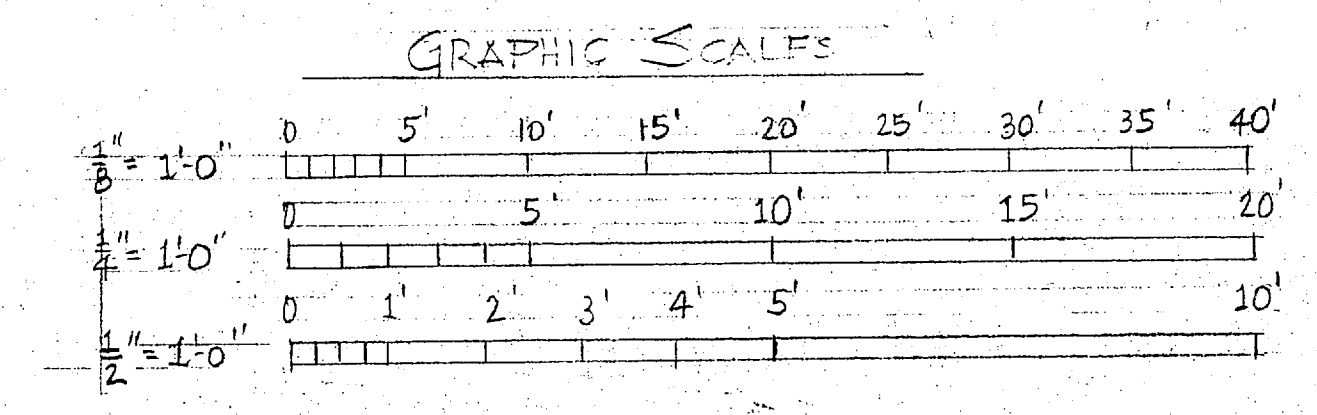
FOUNDATION PLAN
SCALE: 1/8" = 1'



STEAM PIT & MECHANICAL ROOM PLAN
SCALE: 1/4" = 1'

DETAIL-A
STEAM JET SUMP PUMP
NO SCALE

SECTION B-B
SCALE: 1/2" = 1'



CATEGORY CODE NO. 724 10, 724 10A	SATISFACTORY TO	DATE
THE COMMANDING GENERAL MARINE CORPS BASE, CAMP LEJEUNE, N.C.	APPROVED	DATE
THE QUARTERMASTER GENERAL OF THE MARINE CORPS	APPROVED FOR BUREAU OF YARDS & Docks	DATE

REVISION	DATE	APPD.	AS BUILT REVISIONS	BY
P W DRAWING NO. 11870				
MARINE CORPS BASE CAMP LEJEUNE, N. C. DISTRICT PUBLIC WORKS OFFICE, 5ND NORFOLK VA.				
BACHELOR OFFICERS' QUARTERS				
HEATING AND AIR CONDITIONING FOUNDATION PLAN AND DETAILS				
APPROVED FOR BUREAU OF YARDS & Docks			SCALE	SPEC.
DATE			Graphic	33760/60
DATE			SHEET 21 OF 28	NY 33760
DATE			Y & D DRAWING NO.	859070

