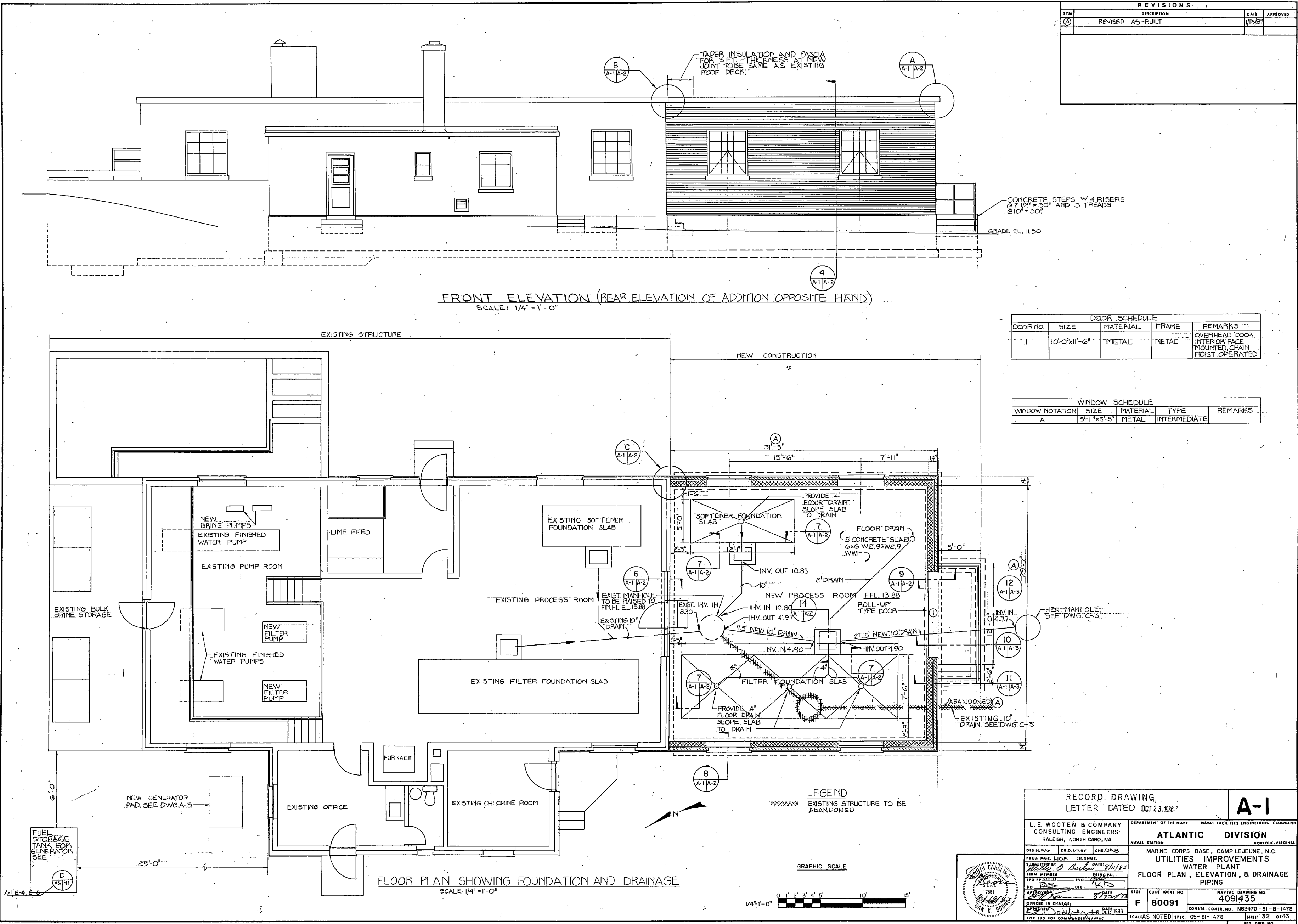


Ref. Pugs for 98-1025



REVISIONS		
NO.	DESCRIPTION	DATE
1	REVISED AS-BUILT	1/15/87

DOOR SCHEDULE				
DOOR NO.	SIZE	MATERIAL	FRAME	REMARKS
1	10'-0" x 11'-6"	METAL	METAL	OVERHEAD DOOR, INTERIOR FACE PAINTED, CHAIN HOIST OPERATED

WINDOW SCHEDULE				
WINDOW NOTATION	SIZE	MATERIAL	TYPE	REMARKS
A	2'-1" x 5'-0"	METAL	INTERMEDIATE	

RECORD DRAWING
LETTER DATED OCT 23, 1987

A-1

L. E. WOOTER & COMPANY
CONSULTING ENGINEERS
RALEIGH, NORTH CAROLINA

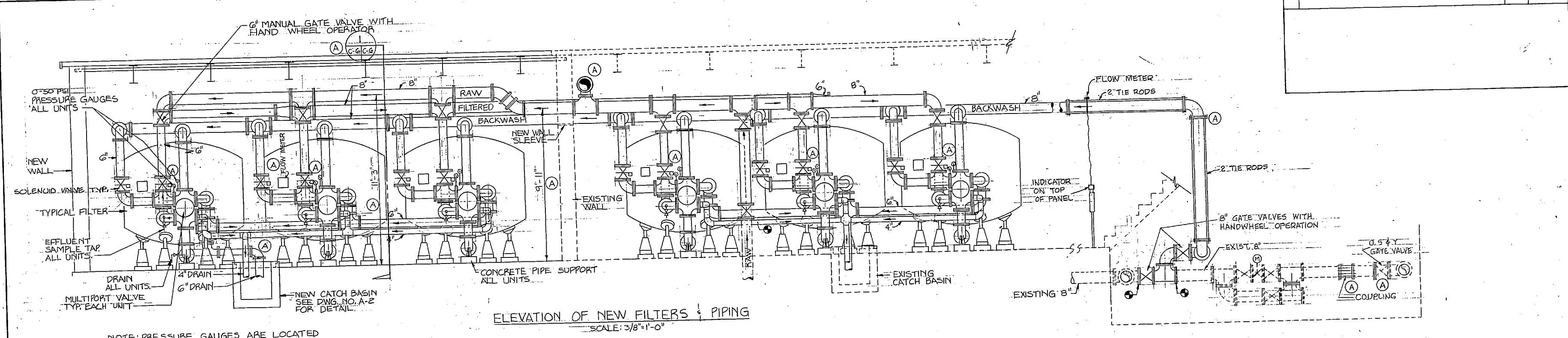
DEPARTMENT OF THE NAVY
MARINE DIVISION
MARINE CORPS BASE, CAMP LEJEUNE, N.C.
UTILITIES IMPROVEMENTS
WATER PLANT
FLOOR PLAN, ELEVATION, & DRAINAGE
PIPING

PROJECT NO. 80091
DRAWING NO. 4091435

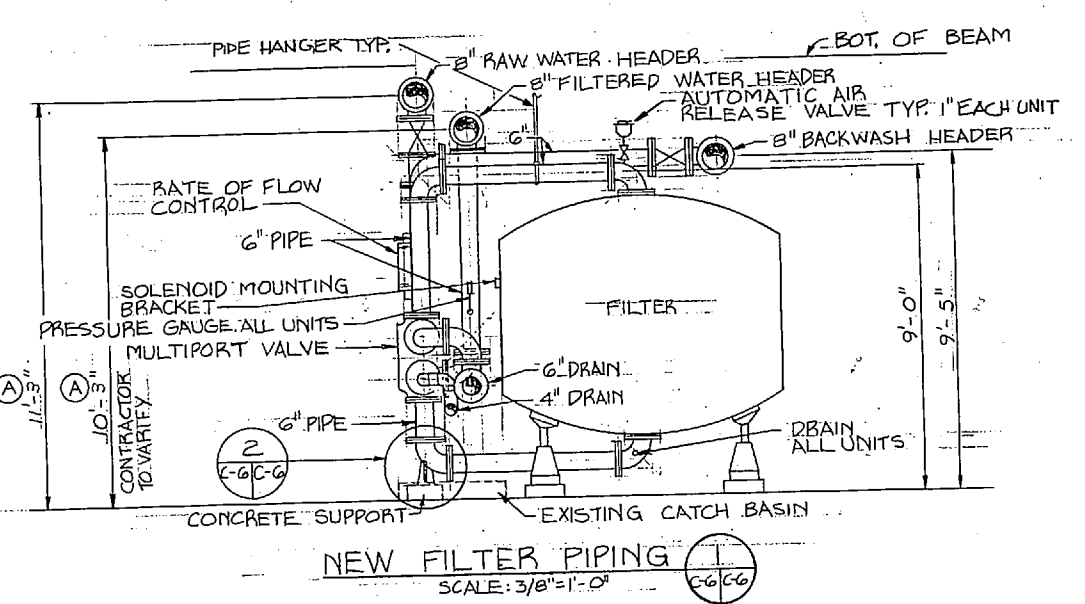
DATE: 10/23/87
BY: [Signature]
CHECKED: [Signature]
APPROVED: [Signature]



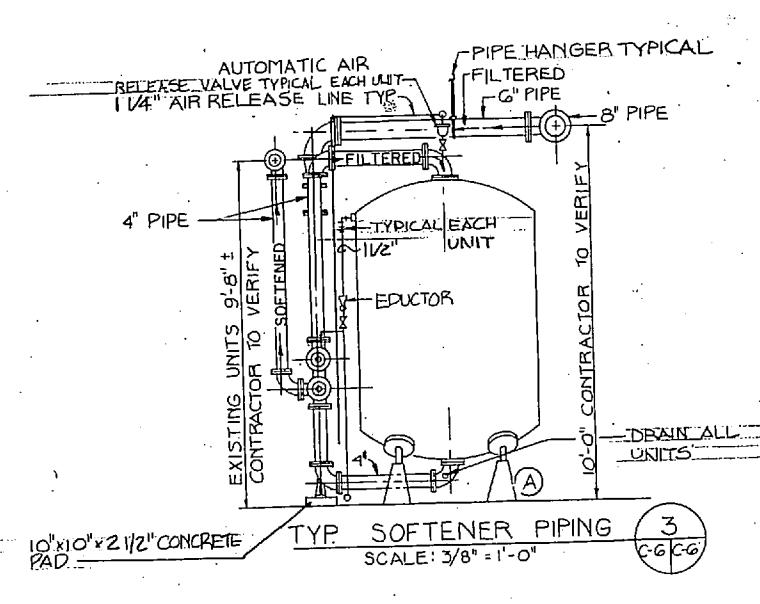
REVISIONS		
NO.	DESCRIPTION	DATE APPROVED
1	REVISED AS-BUILT	1/2/87



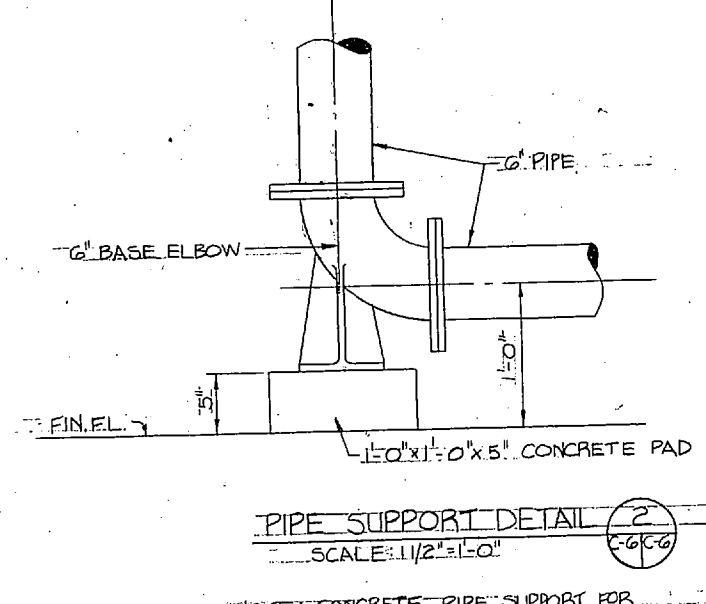
ELEVATION OF NEW FILTERS & PIPING
SCALE: 3/8"=1'-0"



NEW FILTER PIPING
SCALE: 3/8"=1'-0"

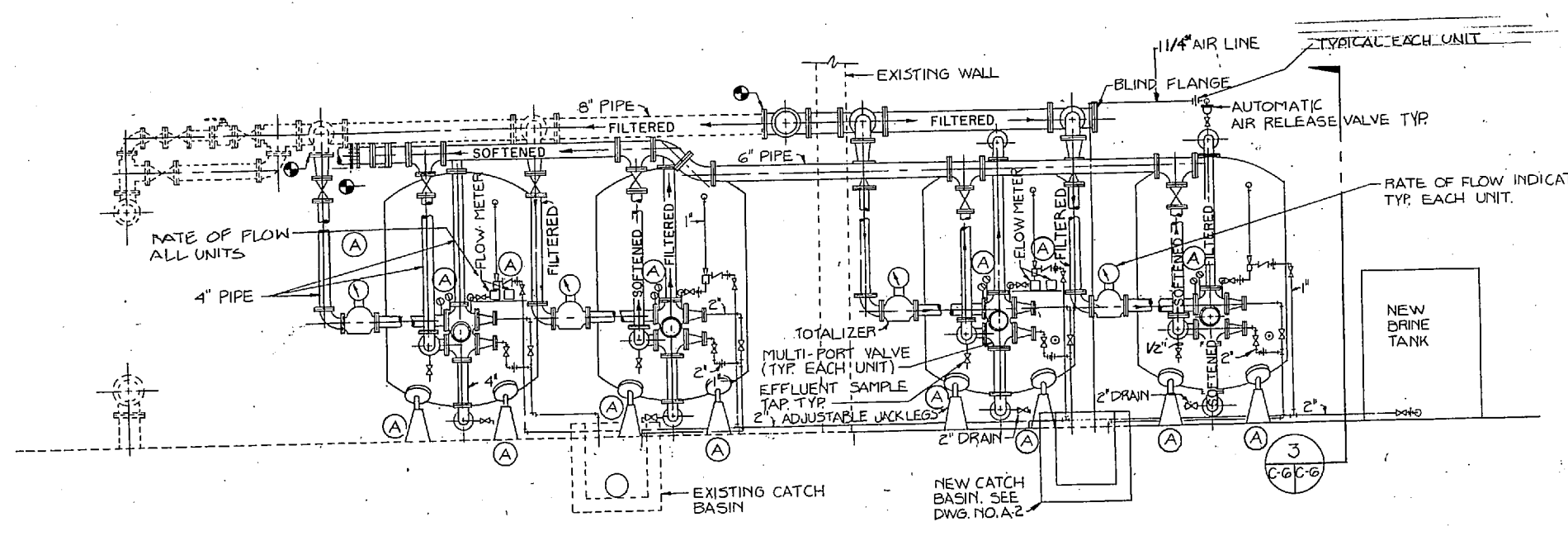


TYP. SOFTENER PIPING
SCALE: 3/8"=1'-0"



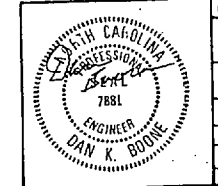
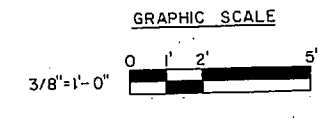
PIPE SUPPORT DETAIL
SCALE: 1/2"=1'-0"

NOTE: CONCRETE PIPE SUPPORT FOR SOFTENERS IS TO BE 10'0" x 5'2" x 5"



ELEVATION OF NEW SOFTENERS AND PIPING
SCALE: 3/8"=1'-0"

- LEGEND**
- ⊞ NEW GATE VALVE WITH HAND WHEEL OPERATOR
 - ⊞ NEW UNION
 - ⊞ NEW TEE
 - ⊞ NEW 90 BEND
 - ⊞ NEW INSPECTION PLUG
 - ⊞ NEW PRESSURE GAUGE (0-50 PSI)
 - ⊞ NEW WELDED COUPLING
 - ⊞ POINT OF CONNECTION
 - ⊞ EXISTING PIPE & STRUCTURE
 - ⊞ NEW PIPE & STRUCTURE
 - ⊞ NEW AUTOMATIC BUTTERFLY VALVE
 - ⊞ NEW CHECK VALVE
 - ⊞ NEW EXDUCTOR



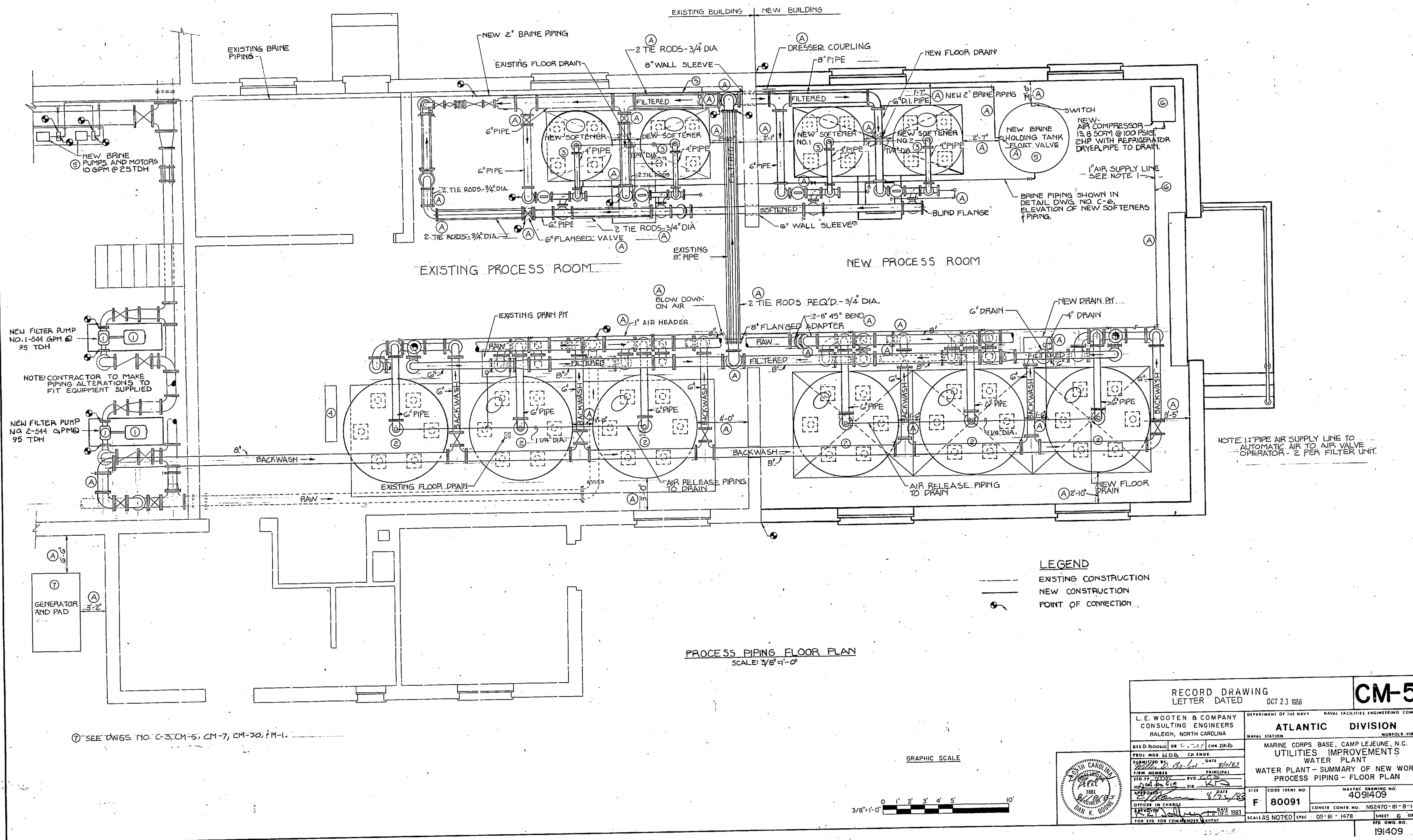
RECORD DRAWING LETTER DATED OCT 23 1986		CM-6
L.E. WOOTEN & COMPANY CONSULTING ENGINEERS RALEIGH, NORTH CAROLINA	DEPARTMENT OF THE NAVY NAVAL FACILITIES ENGINEERING COMMAND	ATLANTIC DIVISION
PROJECT NO. 1088 DRAWING NO. 409140 DATE 1/2/87	NAVAL STATION MARINE CORPS BASE, CAMP LEJEUNE, N.C.	UTILITIES IMPROVEMENTS WATER PLANT
DESIGNED BY CHECKED BY DATE 1/2/87	PROJECT NO. 1088 DRAWING NO. 409140	WATER PLANT - PROCESS PIPING ELEVATION & DETAILS
SCALE: 3/8"=1'-0"	NAVY DRAWING NO. 409140	
	CODE IDENT NO. F 80091	
	CONTRACT NO. 33-670-21-2-1478	
	REVISIONS NOTED	
	191410	



SUMMARY OF NEW WORK WITHIN WATER PLANT

- ① PROVIDE NEW FILTER PUMPS, NEW MOTORS, AND NEW CONTROLS. SEE DWG. NO. CM-5.
- ② PROVIDE NEW 7.5 FT. DIA. FILTERS WITH 4 FE. STRAIGHT SIDES, NEW PIPING, NEW VALVES, AND NEW CONTROLS. SEE DWGS. CM-5, CM-6, CM-7.
- ③ PROVIDE NEW 5 FT. DIA. SOFTENERS, NEW PIPING, NEW VALVES, AND NEW CONTROLS. SEE DWGS. CM-5, CM-6, CM-7.
- ④ PROVIDE NEW FILTER AND SOFTENER CONTROL PANEL WITH CONTROLS. SEE DWG. NO. CM-7.
- ⑤ PROVIDE NEW BRINE TANK, NEW PIPING, NEW VALVES, NEW PUMPS, NEW MOTORS, AND NEW CONTROLS. SEE DWG. CM-5, CM-6.
- ⑥ PROVIDE NEW 2 HP. AIR COMPRESSOR WITH DRYER, AND NEW SUPPLY PIPING. SEE DWG. NO. CM-7.
- ⑦ PROVIDE NEW UNDERGROUND FUEL STORAGE TANK, PROVIDE RELOCATED STAND-BY GENERATOR AND PIPING TO GENERATOR FOR ONE 20HP FILTER PUMP, ONE 2 HP AIR COMPRESSOR. SEE DWGS. NO. C-3, CM-5, CM-7, CM-10, CM-11.

REVISIONS			
NO.	DESCRIPTION	DATE	APPROVED
01	REVISED AS-BUILT	1/3/68	



RECORD DRAWING LETTER DATED OCT 23 1968		CM-5
L. E. WOOTEN & COMPANY CONSULTING ENGINEERS RALEIGH, NORTH CAROLINA	DEPARTMENT OF THE NAVY NAVAL FACILITIES ENGINEERING COMMAND ATLANTIC DIVISION MARINE CORPS BASE, CAMP LEJEUNE, N.C.	PROJECT NO. 409408
DATE: 9/22/68 BY: [Signature] CHECKED BY: [Signature]	WATER PLANT UTILITIES IMPROVEMENTS WATER PLANT - SUMMARY OF NEW WORK PROCESS PIPING - FLOOR PLAN	NAVY DRAWING NO. 409408
PROJECT NO. 409408	NAVY DRAWING NO. 409408	CONTRACT NO. N62470-68-B-1478
DATE: 9/22/68	BY: [Signature]	NAVY DRAWING NO. 409408
CHECKED BY: [Signature]	DATE: 11/11/68	NAVY DRAWING NO. 409408
PROJECT NO. 409408	NAVY DRAWING NO. 409408	CONTRACT NO. N62470-68-B-1478
DATE: 9/22/68	BY: [Signature]	NAVY DRAWING NO. 409408
CHECKED BY: [Signature]	DATE: 11/11/68	NAVY DRAWING NO. 409408

