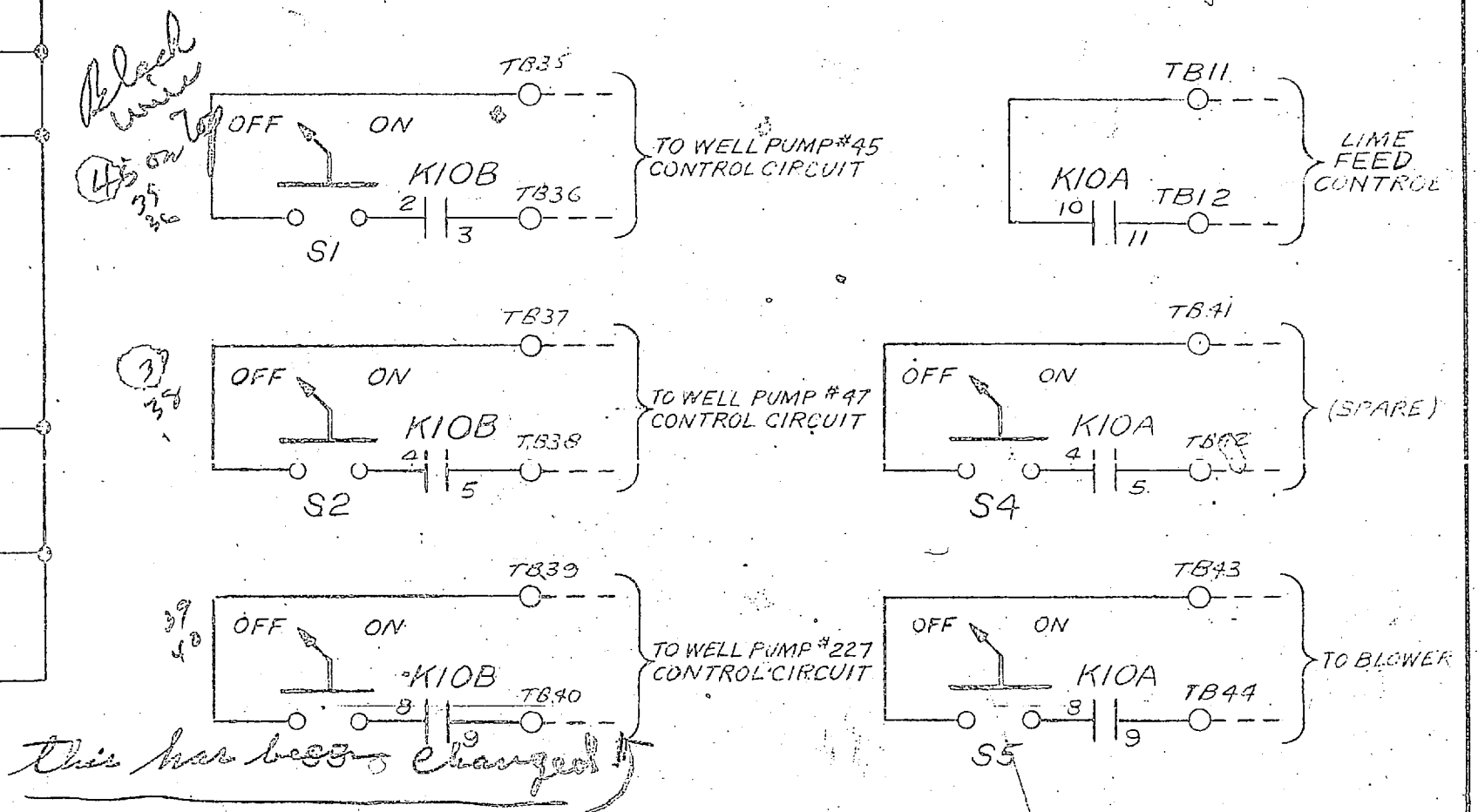


- GENERAL NOTES: (APPLICABLE WHEN REQUIRED UNLESS OTHERWISE SPECIFIED)
- IDENTIFICATION NO. (J3 & ETC.) IS THE SUFFIX NUMBER FOR COMPONENTS SUPPLIED ON F&P WORK ORDER #6403A2915
 - REFERENCE DRAWINGS: OUTLINE DIMENSIONS - OD56B1320 NAMETAG - SD56B1350
 - WIRING: #16 AWG STRANDED THERMOPLASTIC INSULATION.
 - ALL WIRING ADEQUATELY LACED AND SUPPORTED.
 - WIRING INDICATED BY BROKEN LINES TO BE INSTALLED AT FINAL SITE
 - WIRING TO FIELD MOUNTED EQUIPMENT FROM FROM SCREW TYPE TERMINAL BOARDS LOCATED AT BOTTOM OF CUBICLE. (APPROX. 10% SPARES PROVIDED)
 - COMPONENTS SHOWN IN POWER OFF CONDITION.
 - INSTRUMENTS & COMPONENTS IDENTIFIED INSIDE CUBICLE.
 - ALL FITTINGS ARE 1/4" NPT.
 - TUBING IS COPPER 1/4 O.D. X .032 WALL WITH COMPRESSION FITTINGS.
 - RELAY CONTACTS ARE RATED AT 10A - 115V. NON-INDUCTIVE

For: Brown Construction Company
 Order No. 15-11
 F&P Serial No. 6403 A 3916 J13



This has been changed

REV.	AUTHORIZATION	MADE BY	CHKD. BY	APPD. BY	REVISION DESCRIPTION	DEF. DWGS.
0						
<p>0/7</p> <p>ELEMENTARY WIRING OF INSTR & CONTROL PANEL</p> <p>B. M. NO. BM56B1728</p> <p>BROWN CONSTRUCTION CO.</p> <p>FISCHER & PORTER CO. WARRINGTON, PA., U. S. A.</p> <p>DRAWING NUMBER: WD56B1367</p>						

