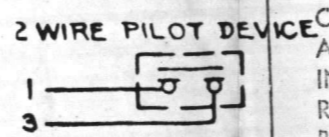
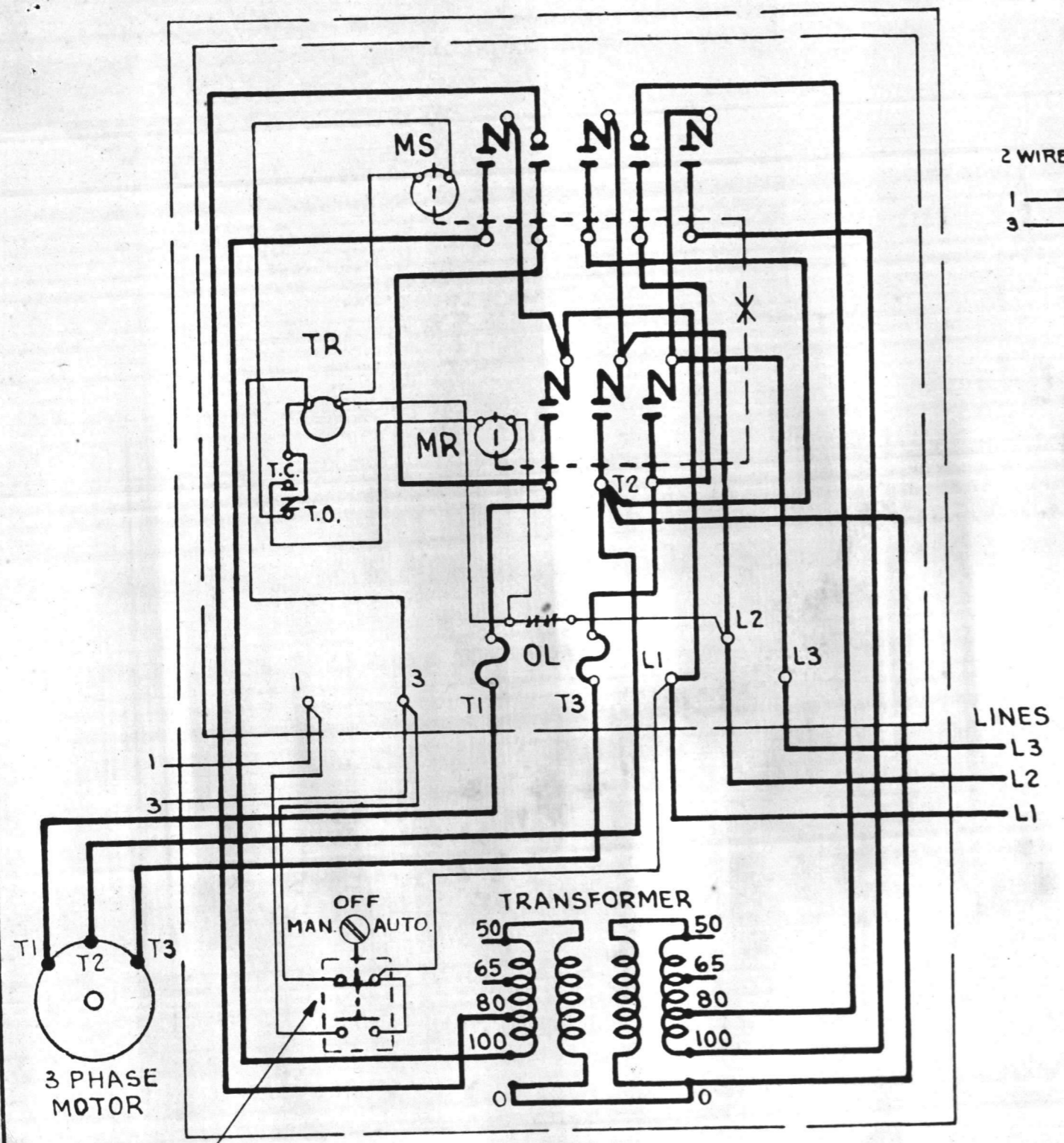


151104D2

FRONT VIEW DIAGRAM



DISTRICT PUBLIC WORKS OFFICE
NAVAL BASE NORFOLK, VA.

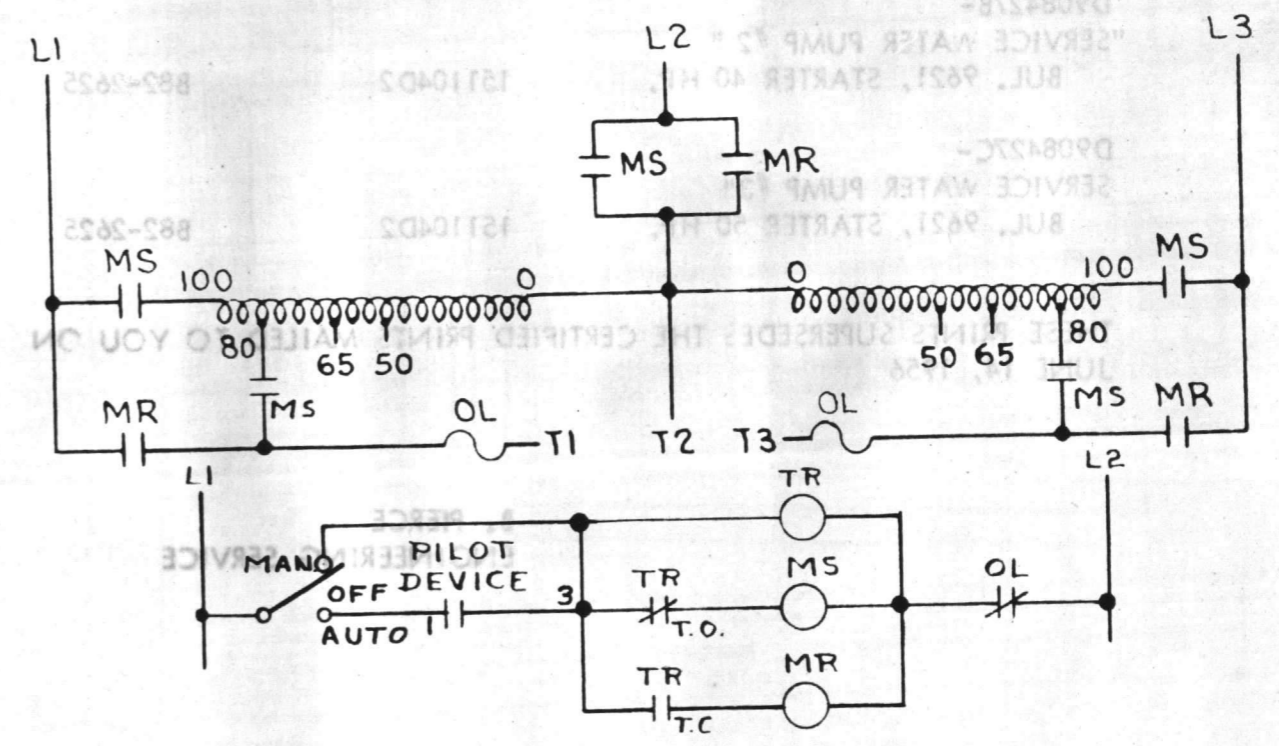
APPROVED

SUBJECT TO THE REQUIREMENTS OF
NOY 93544 SPEC 4992W
CONTRACT NO. _____
APPROVAL OF MATERIALS AND/OR EQUIPMENT
INDICATES COMPLIANCE WITH SPECIFICATION
REQUIREMENTS ONLY - THE CONTRACTOR SHALL
BE RESPONSIBLE FOR PROVIDING PROPER PHYSICAL
DIMENSIONS & WEIGHTS, COORDINATION OF
TRADES, ETC., AS REQUIRED.

DATE 3 Jan 1957
W. SIHLER
Rear Admiral, CEC, USN
District Public Works Officer

CONTACTORS "MS" AND "MR" ARE
MECHANICALLY INTERLOCKED

ELEMENTARY DIAGRAM



T.O. = TIMED OPENING
T.C. = TIMED CLOSING

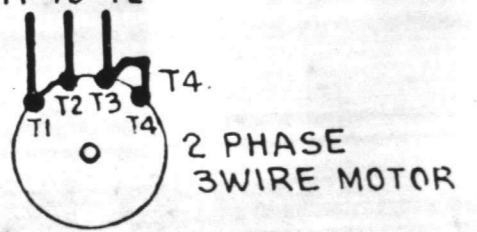
CONNECTIONS FOR SIZE "4" AUTO-TRANSFORMER STARTER WITH 3 POSITION SELECTOR SWITCH

APPROVAL	WIRING CHANGED	DRAWN	DATE
	INTERNAL	EXTERNAL	
A		REMEHRSTEDT	12-28-54
B		ENGR APP <i>[Signature]</i>	1/3/55
C		SUPR APP <i>[Signature]</i>	1/3/55
D		SUP. NO.	
E		SUP. BY NO.	
F		PANEL NO. C84-11072	
G		ORDER NO. D747421A	RUL. NO.

CUTLER-HAMMER
MILWAUKEE INC. NEW YORK

151104D2

L2 IS COMMON LINE



CUTLER-HAMMER INC. *Pioneer Electrical Manufacturers*

MILWAUKEE



WISCONSIN

DATE DECEMBER 12, 1956

CERTIFIED FOR FAIRBANKS MORSE & CO.

CUST. ORDER B9842

CUST. ITEM _____

CUTLER-HAMMER, ORDER NUMBER D908427B & C

C-H ITEM _____

APPLICATION CAMP LE JEUNE, NORTH CAROLINA

TYPE OF CONTROL SIZE 4 AUTO TRANSFORMER STARTER W/SELECTOR SWITCH
IN COVER

HP _____ VOLTS 208 AMPS _____ PH. 3 CY 60 DUTY _____

REMARKS:

WIRING DIAG. DIM. DWG.

D908427B-

"SERVICE WATER PUMP #2"

BUL. 9621, STARTER 40 HP.

151104D2

B82-2625

D908427C-

SERVICE WATER PUMP #3"

BUL. 9621, STARTER 50 HP.

151104D2

B82-2625

THESE PRINTS SUPERSEDES THE CERTIFIED PRINTS MAILED TO YOU ON
JUNE 14, 1956

B. PIERCE
ENGINEERING SERVICE

T.O.-TIMED OPENING
T.C.-TIMED CLOSING

CONNECTIONS FOR SIZE 4 AUTO-TRANSFORMER STARTER WITH
POSITION SELECTOR SWITCH

APPROX. WIRE GAUGE	WIRE COLOR	TERMINAL	DESCRIPTION

