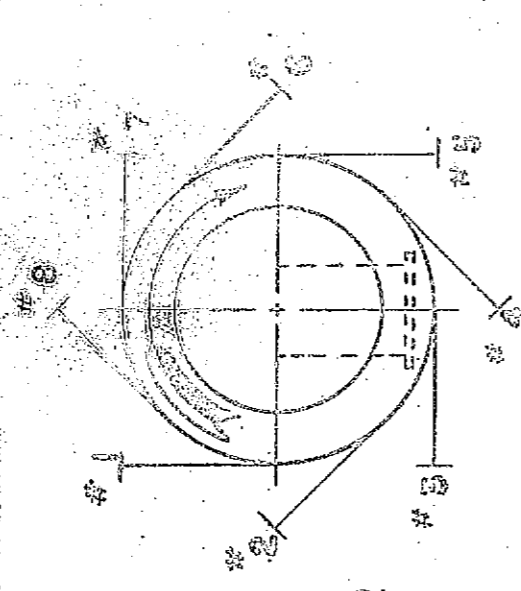
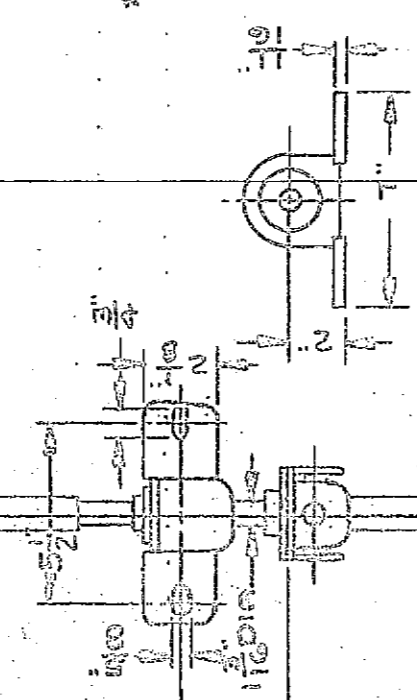


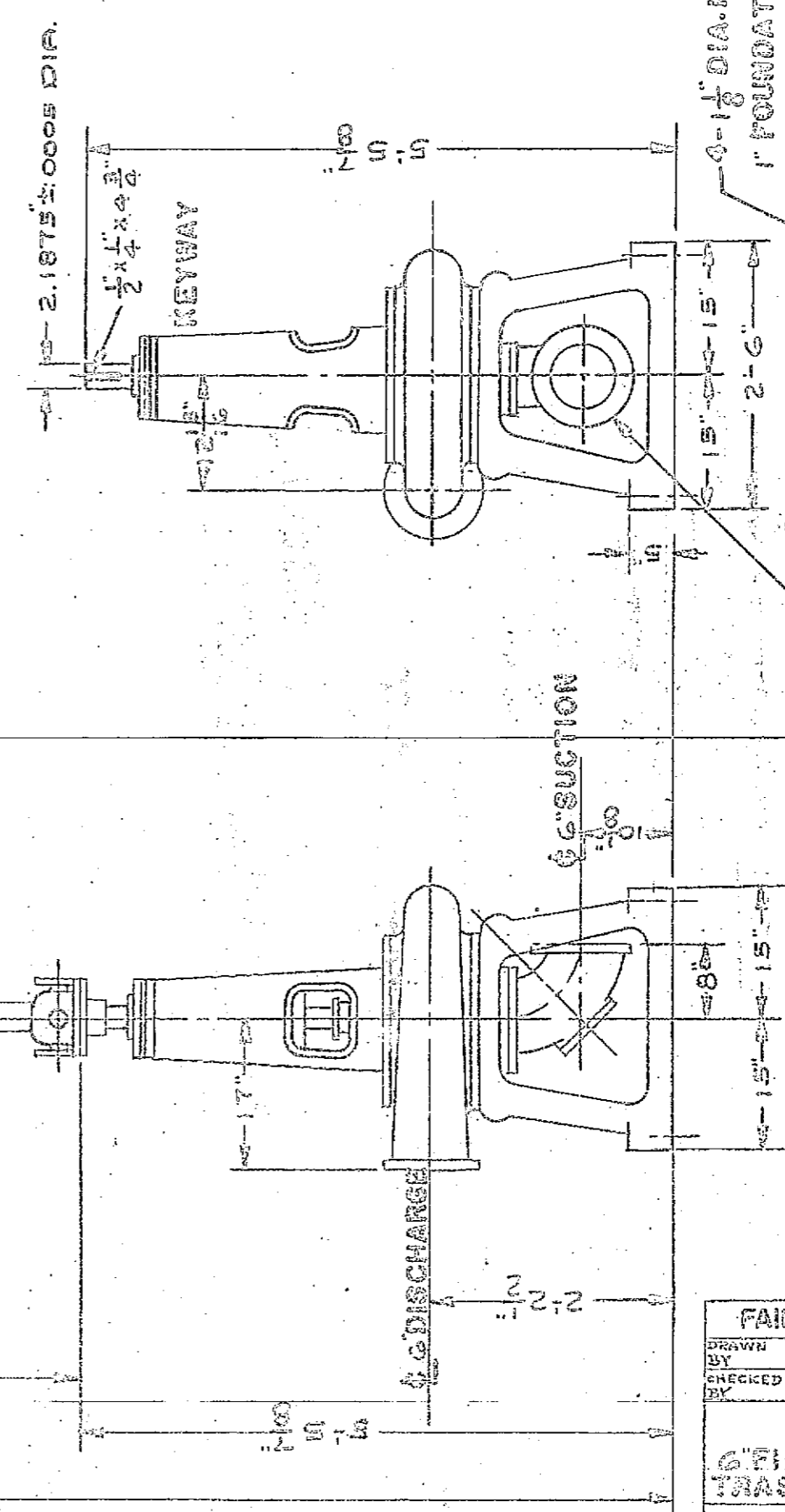
INVERTED VIEW OF MOTOR BASE  
WATSON SPICER  
1" SECTION W V 37



GUIDE BEARING SEEN FROM TOP OF VOLUTE  
DISCHARGE IN POSITION #1 AS SHOWN  
UNLESS OTHERWISE SPECIFIED  
DISCHARGE ON ORDER TO BE IN  
POSITION #



WATSON SPICER  
1" SECTION W V 37



11" DIA. FLANGE  
8 3/4" BOLTS ON 2" DIA. B.C.  
HOLES EQUALLY SPACED  
8 STRADDLE 1/4" BOTH  
FLANGES ALINE.  
FLANGES ARE A.S.A. 125  
FOUND STANDARD.

4-1 1/8" DIA. HOLES FOR  
FOUNDATION BOLTS

THIS DRAWING CERTIFIED  
For *Atlanta* Order No. 20754  
FAIRBANKS, MORSE & CO.  
Per *R.M.* Date 8-3-56

DATE	SERIAL	LOC	WAS

FAIRBANKS MORSE & CO. INC. DIV  
DRAWN BY R.W. DATE 7-26-56  
CHECKED BY F.J.G. DATE 8-3-56

SETTING PLAN  
6" FIG. 5419 MOTOR DRIVEN  
TRASH PUMP C.W. ROT.

44TBJF180

ORDER NO. ATLANTA 20754

C.F.S. 8-1-56

THIS DRAWING NOT TO SCALE

DISTRICT PUBLIC WORKS OFFICE  
NAVAL BASE NORFOLK, VA.

**APPROVED**

SUBJECT TO THE REQUIREMENTS OF

CONTRACT NO. NOV 256 SPEC 2546

APPROVAL OF MATERIALS AND/OR EQUIPMENT  
INDICATES COMPLIANCE WITH SPECIFICATION  
REQUIREMENTS ONLY - THE CONTRACTOR SHALL  
BE RESPONSIBLE FOR PROTECTING PROPER PHYSICAL  
DIMENSIONS & WEIGHTS COORDINATION OF  
TRADES, ETC. AS REQUIRED.

W. STEFFER  
R. G. GERRARD, C.E.S.T. U.S.N.  
District SE-Works Officer

DATE 23 April 66

Job Name	<u>Camp Lejeune Storage 2nd.</u>		
Station			
Consulting Eng'rs	<u>U.S. NAVY</u>		
Contractor	<u>A. G. Yerkes &amp; Son</u>	P. O.	<u>#2</u>
PUMP DATA			
Size	<u>6</u>	Figure	<u>5414</u>
Capacity	<u>2000</u>	G.P.M. Head	<u>26</u> T.D.H.
MOTOR DATA			
Type	<u>K22W</u> H.P.	<u>25</u> Speed	<u>860</u> R.P.M.
	<u>3</u> Phase	<u>60</u> Cycles	<u>220</u> Volts.