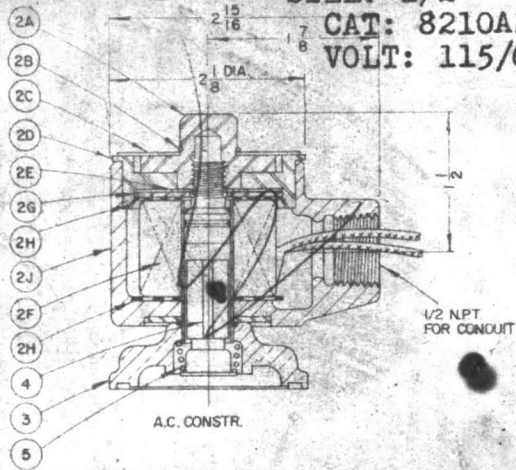


CERTIFIED FOR DIMENSIONS
 AUTOMATIC SWITCH COMPANY

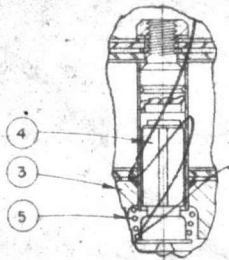
8/14/56 BY: PC ASCO S.O. 15312-B

ORDER: P-28698
 SIZE: 1/2" CAT: 8210A2
 VOLT: 115/60

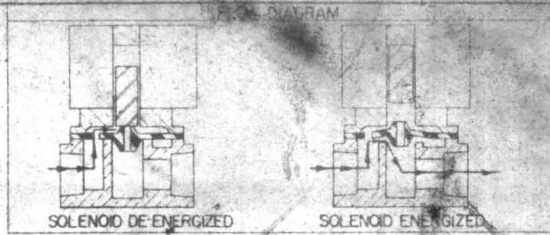


A.C. CONSTR.

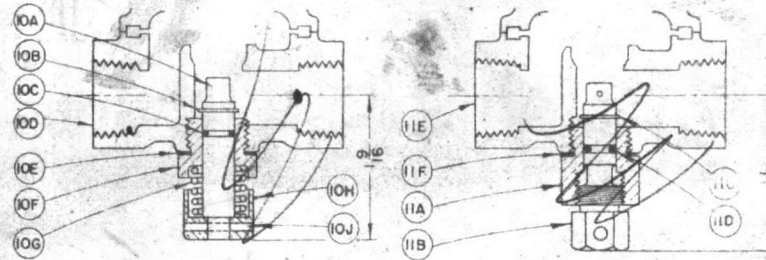
NEMA TYPE VII EXPLOSION PROOF &
 NEMA TYPE IX WATER PROOF
 SOLENOID ENCLOSURE



D.C. CONSTR.



VALVE OPERATION
 VALVE OPENS WHEN COIL IS ENERGIZED,
 CLOSES WHEN COIL IS DE-ENERGIZED.

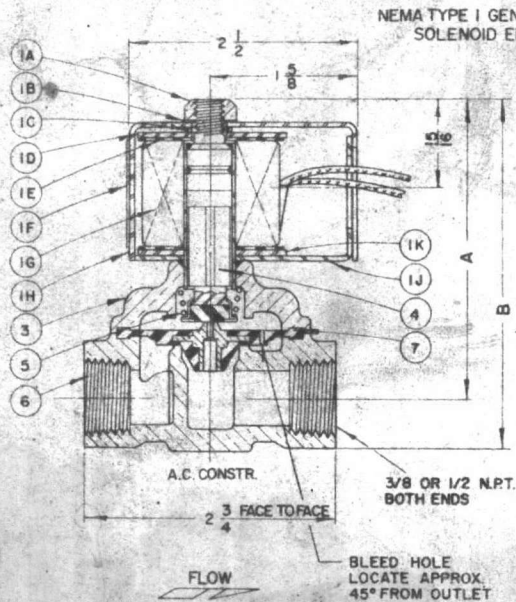


MANUAL OPERATOR
 FORM 'A'

MANUAL OPERATOR
 FORM 'E'

NOTES

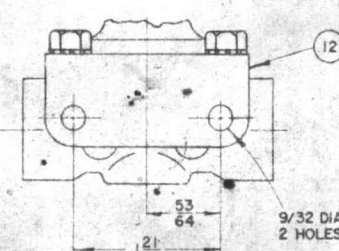
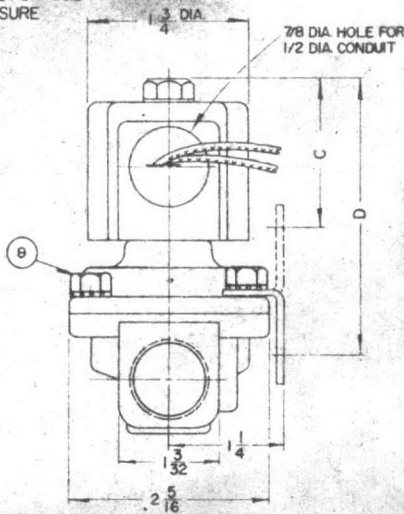
1. MOUNTING BRACKET WILL BE SUPPLIED ONLY IF SPECIFIED. MAY BE MOUNTED ON EITHER SIDE OF VALVE FACING UP OR DOWN.
2. FOR WATERPROOF CONSTR. SPECIFY STANDARD CATALOG NUMBER PREFIXED BY WP-
3. UL APPROVED N°MP618 VOL II, SEE ENG. DATA #31G



A.C. CONSTR.

3/8 OR 1/2 N.P.T.
 BOTH ENDS

BLEED HOLE
 LOCATE APPROX.
 45° FROM OUTLET



PARTS LIST

WHEN ORDERING PARTS GIVE ALL INFORMATION LISTED ON VALVE NAMEPLATE, DWG NO. BELOW AND ITEMS DESIRED FROM THIS LIST.

ITEM	NAME	QTY
1A	CAP NUT	1
1B	LOCKWASHER	1
1C	RETAINING CLIP	1
1D	UPPER FLUX PLATE	1
1E	INSULATING WASHER	2
1F	NAMEPLATE	1
1G	COIL	1
1H	HOUSING	1
1J	BASE PLATE	1
1K	LOWER FLUX PLATE	1
2A	CAP NUT	1
2B	RETAINING RING	1
2C	NAMEPLATE	1
2D	HOUSING CAP	1
2E	SPRING WASHER	1
2F	COIL	1
2G	UPPER FLUX PLATE	1
2H	INSULATING WASHER	2
2J	HOUSING	1
3	SOL. BASE SUB-ASSEM.	1
4	CORE ASSEM.	1
5	CORE SPRING	1
6	VALVE BODY	1
7	DIAPHRAGM	1
8	BONNET SCREW (HEX.)	4
10A	STEM	1
10B	RETAINING RING	1
10C	O' RING	1
10D	VALVE BODY	1
10E	GASKET	1
10F	BONNET	1
10G	SPRING	1
10H	KNOB	1
10J	ROLL PIN	1
11A	BONNET	1
11B	STEM	1
11C	RETAINING RING	1
11D	O' RING	1
11E	VALVE BODY	1
11F	GASKET	1
12	BRACKET	1

NPT	CATALOG NO.	SOLENOID	A	B	C	D
	8210A1	GEN PURPOSE	3 1/4	3 13/16	1 5/8	3
3/8	8211A1	EXPL PROOF	3 13/16	4 3/8	2 3/16	3 9/16
	WP-8210A1	WATER PROOF	3 13/16	4 3/8	2 3/16	3 9/16
	8210A2	GEN PURPOSE	3 1/4	3 13/16	1 5/8	3
1/2	8211A2	EXPL PROOF	3 13/16	4 3/8	2 3/16	3 9/16
	WP-8210A2	WATER PROOF	3 13/16	4 3/8	2 3/16	3 9/16

SOLENOID MAY BE
 MOUNTED IN ANY
 POSITION

BULL 8210A & 8211A 1/2 PORT 3/8 B 1/2 N.P.T. PACK-
 LESS, 2 WAY, PILOT CONTROLLED, NORMALLY CLOSED
 DIAPHRAGM VALVES, WATTS STD. SOL. A.C. 10-D.C. 10
 EXPLOSION & WATER PROOF SOL. A.C. 10.5-D.C. 9.8

DRAWN DATE CHECKED DATE APP. DFTG DATE APP. ENG DATE
 JNS 10-27-54 J.M. RAY 11-22-54 R.C. 11-21-54

UNLESS SPEC. TOLERANCE ON FRACTIONAL DIMENSIONS & 0.15 DECIMAL
 DIMENSIONS & .005 - BREAK ALL SHARP CORNERS 1/16A UNLESS SPEC.

Automatic Switch Co. PRINTED IN U.S.A. ORANGE, NEW JERSEY

S.O. NO.	SCALE	DATE	APP.
V-7354	ISSUED	JNS 11-8-54	J.M.R.
E.R. NO.	ITER. CHGD.	CHG.	DATE
DWG. NO.	HVA-40-779		
CHANG. LETTER			

OPERATOR TANK AIR INLET

3202 56

OCT 31 1956

CERTIFIED CONSTRUCTION DRAWING
FOR YOUR ORDER NUMBER

S. J. Haussner

COCHRANE CORPORATION
PHILADELPHIA, PA.