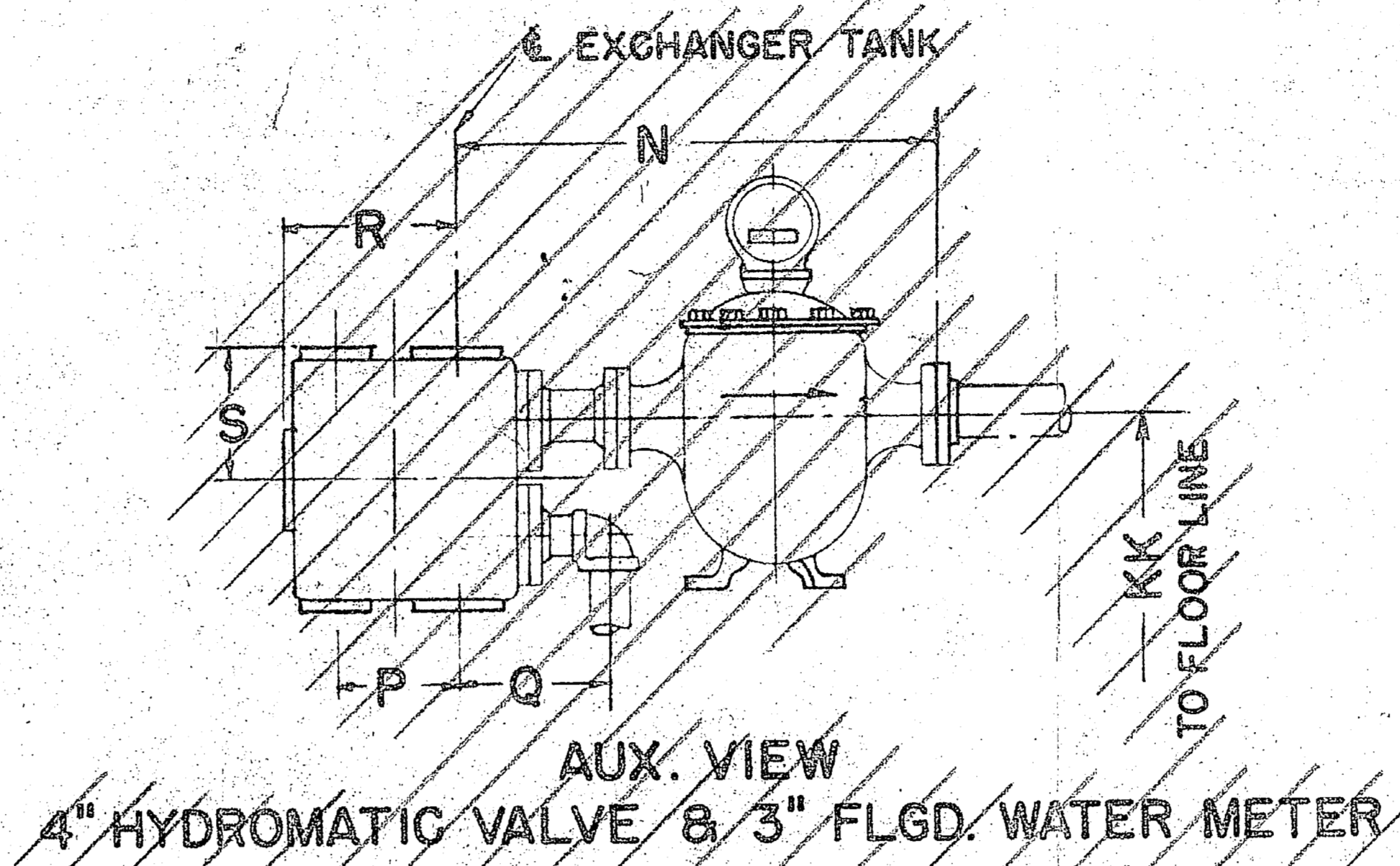


METHOD OF INSTALLING BACKWASH AND RINSE ORIFICE PLATE



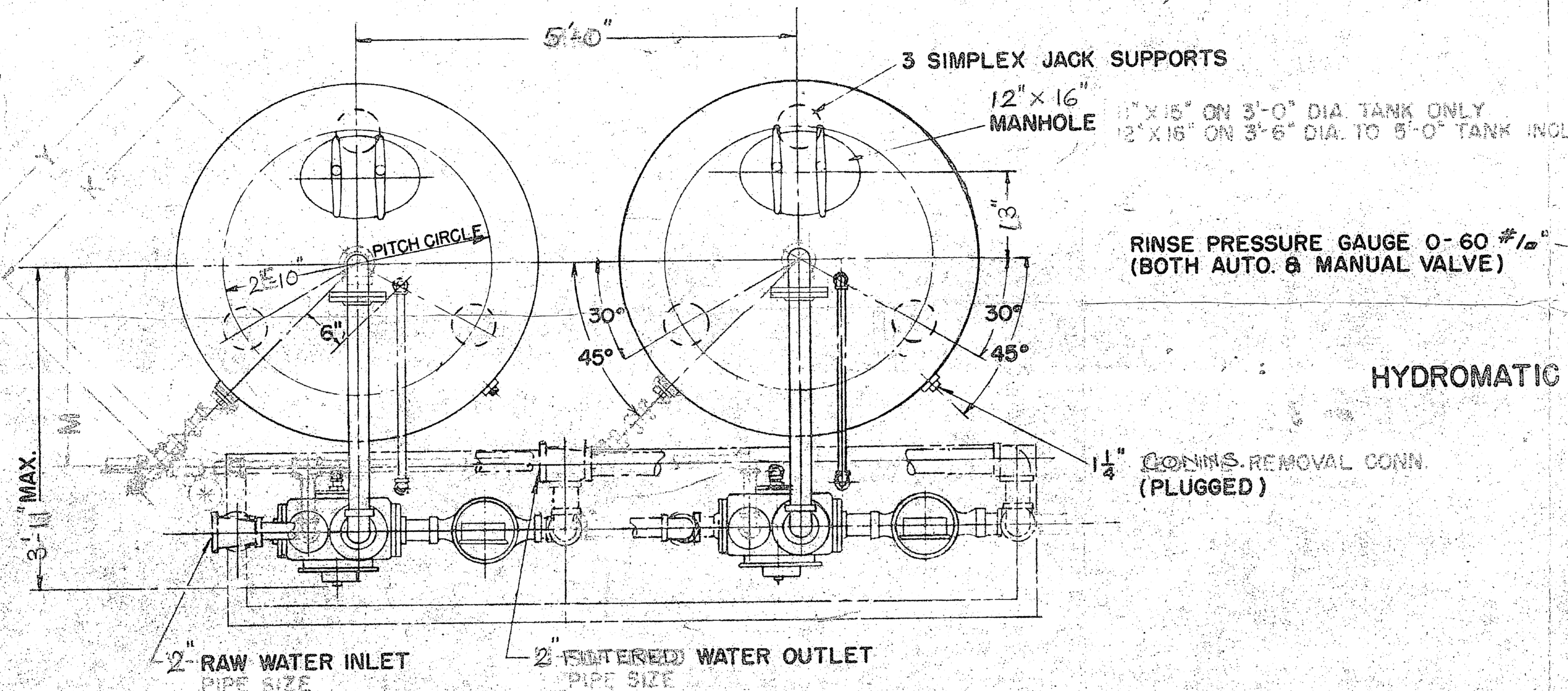
NOTES

NOTHING SHOWN ON THIS DRAWING IS TO BE CONSTRUED AS INCREASING THE MATERIALS TO BE SUPPLIED BY THE COCHRANE CORPORATION OVER THAT SPECIFIED IN THEIR CONTRACT. DIMENSIONS LOCATING OPENINGS MAY VARY $\frac{3}{8}$ " \pm . PIPING, ETC., SHOWN IN DOT & DASH LINES NOT FURNISHED BY THE COCHRANE CORP. PIPING FURNISHED BY THE COCHRANE CORP. STOPS AT POINTS MARKED \odot . ALL PIPING FURNISHED BY THE COCHRANE CORP. TO BE IN 5'-0" LENGTHS, CUSTOMER TO CUT, THREAD & FIT ALL PIPING.

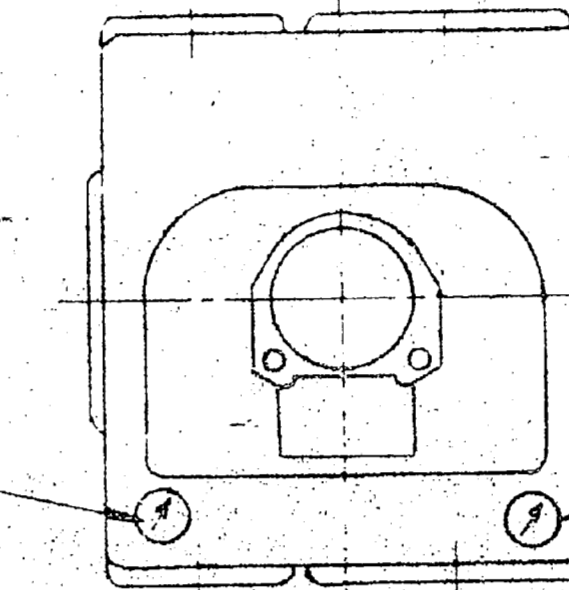
DESIGN PRESSURE	TEST PRESSURE
150#	190#
100#	130#
75#	100#
50#	75#

FOR PRESSURE ADJUSTMENTS SEE OPERATING INSTRUCTIONS.

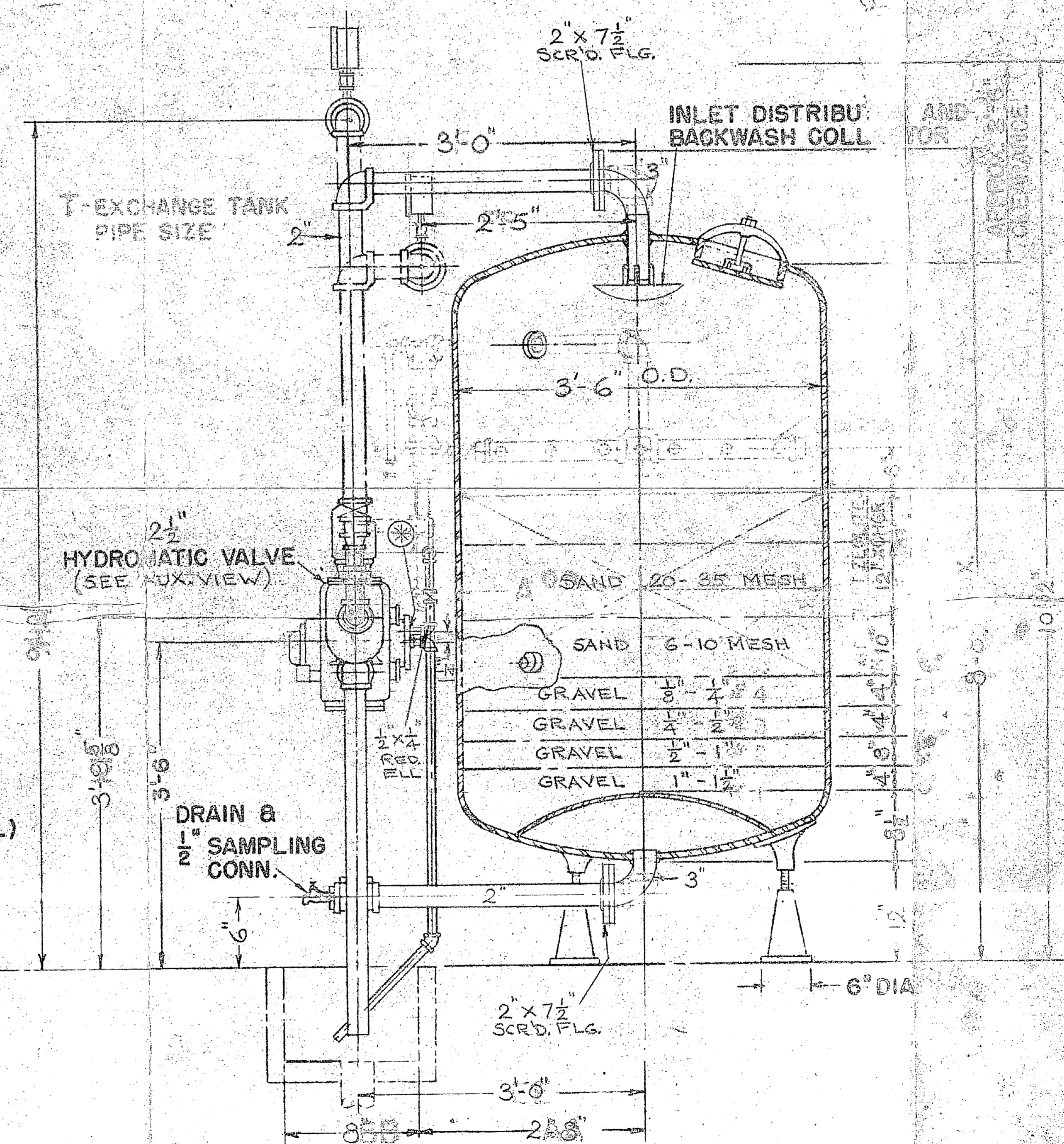
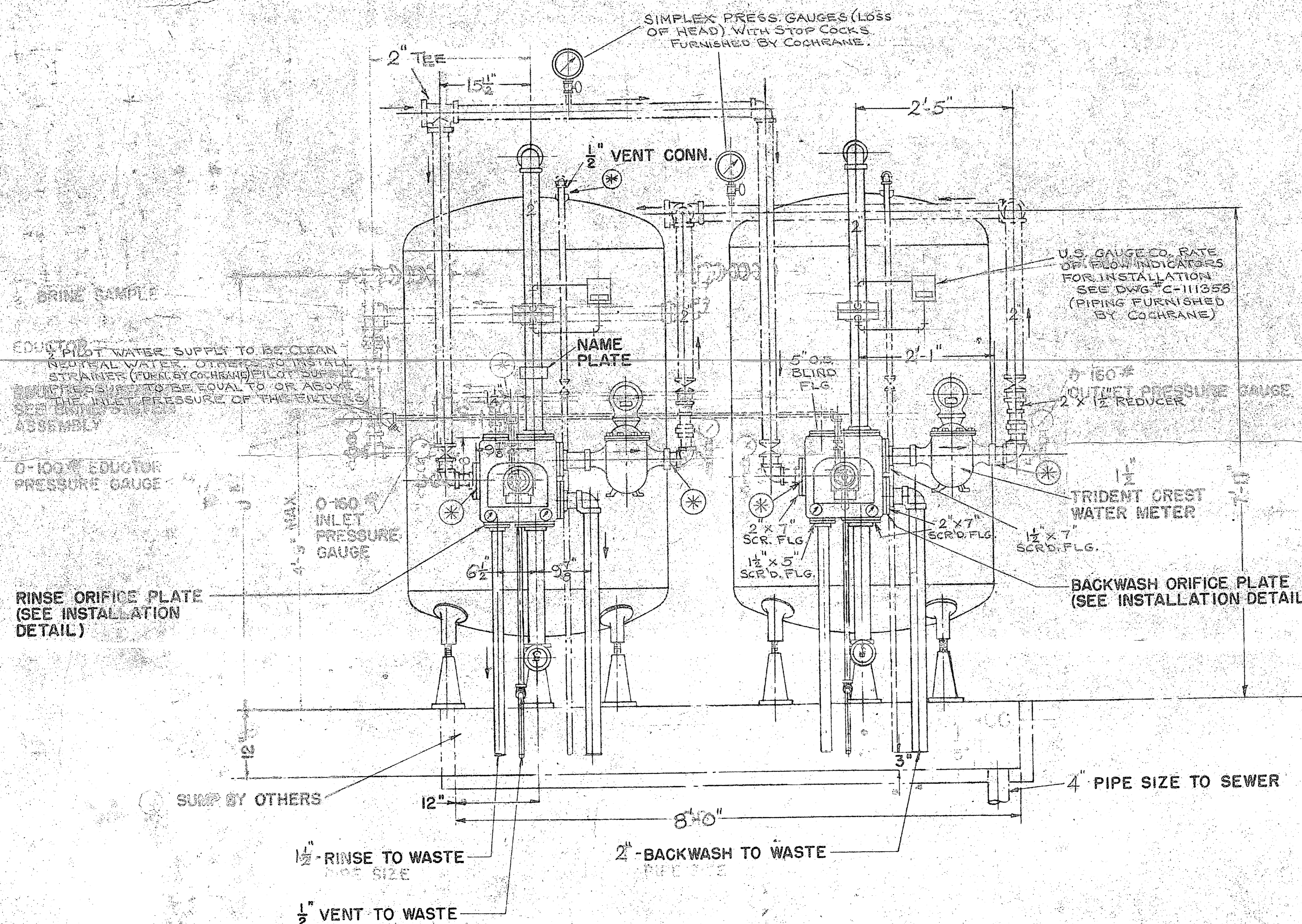
PIPE TO BE SCH. 40 STEEL WITH ALL FITTINGS AND BR. SCR'D. GATE VALVES 100# S.W.P.



RINSE PRESSURE GAUGE 0-60 #/sq. in. (BOTH AUTO. & MANUAL VALVE)



AUX. VIEW HYDROMATIC VALVE AUTOMATIC OPERATION



SUPPORTING BED		
NO.	GRAVEL	ANTHRACITE
4	6 TO 10 MESH SAND	3/16" TO 3/32" ANTHRACITE
3	1/4" TO 1/8" GRAVEL	9/16" TO 3/16" ANTHRACITE
2	1/2" TO 1/4" GRAVEL	13/16" TO 9/16" ANTHRACITE
1	1" TO 1/2" GRAVEL	1 3/8" TO 1 1/8" ANTHRACITE

S.O. 3202-56 DATE SEP 27 1956
 THIS DRAWING IS FOR APPROVAL
 RETURN ONE PRINT IMMEDIATELY
 TO AVOID DELAY IN FABRICATION
 CERTIFIED CONSTRUCTION DRAWING
 FOR YOUR ORDER NO.
 J. J. Haussner
 DESTROY PREVIOUS COPIES
 THIS PRINT DUPLICATES PRINTS PREVIOUSLY
 FORWARDED YOU EXCEPT FOR CHANGES AS
 SPECIFIED IN REVISION BLOCK

NO.	DATE	REVISION	CHECKED	APPROVED
DOUBLE UNIT PRESSURE FILTER WITH DIFFUSER PLATE UNDERDRAIN (AUTO. OR MANUAL CONTROL)				
COCHRANE CORPORATION				
PHILADELPHIA, PA.				
SCALE	DRAWN BY: T. G. S.			
DATE	CHECKED BY: J. J. Haussner			
NO.	G 411305			

This drawing, property of COCHRANE CORPORATION, is conditionally loaned to the customer and/or his authorized engineers, who by accepting it agree not to reproduce or copy it, in whole or in part, or to make any use of it that is or may be injurious to COCHRANE CORPORATION, and to return it to COCHRANE CORPORATION.

