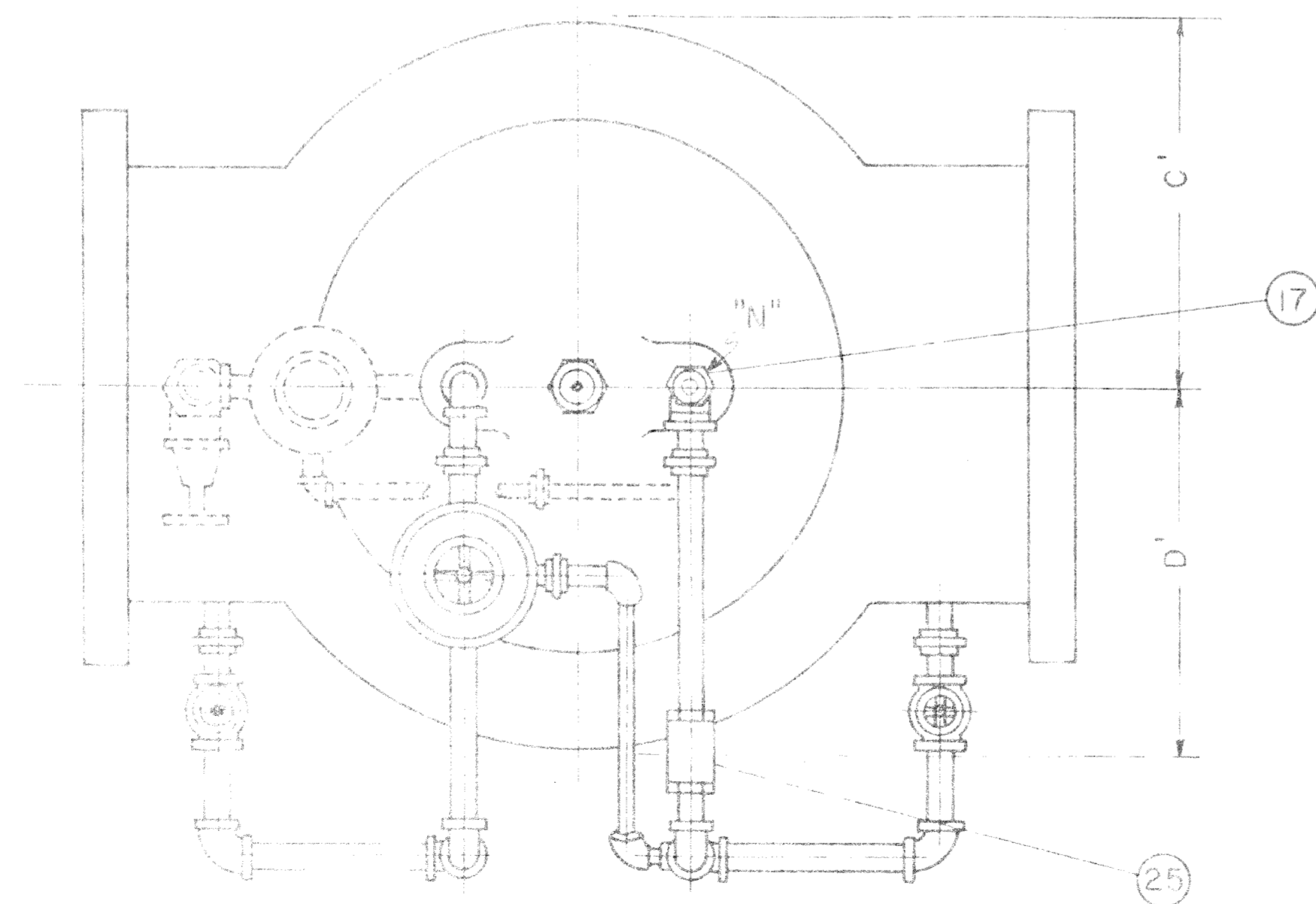
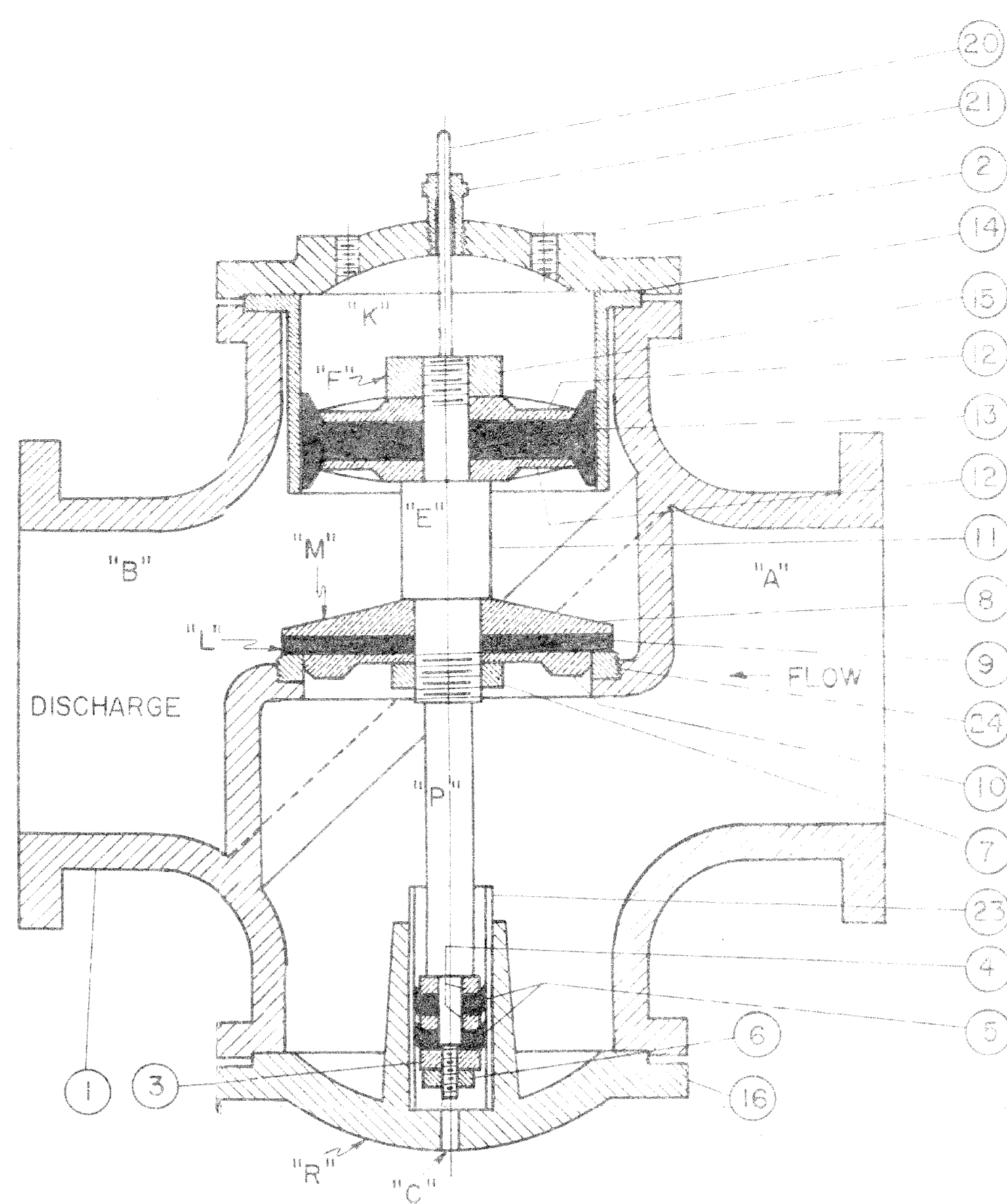


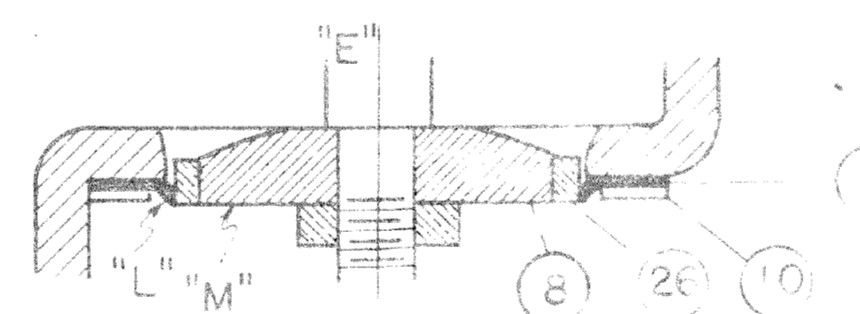
SIDE ELEVATION



PLAN



LONGITUDINAL SECTION



SLIDING SEAT

NOTE
FROM SIZES B" TO 12" HAVE ONE PIECE BRONZE
SLIDING SEAT DISC IN PLACE OF PARTS 8 AND 25.

PARTS LIST

PART NO.	NAME OF PART	QTY.
1	VALVE SHELL	1
2	TOP CAP	1
3	BOTTOM STEM GUIDE NUT	1
4	BOTTOM CUP FOLLOWER	2
5	BOTTOM PISTON CUP LEATHER	2
6	BOTTOM STEM LOCK NUT	1
7	NUT	1
8	SEAT DISC	1
9	SEAT LEATHER	1
10	SEAT LEATHER SUPPORT	1
11	STEM	1
12	PLATE	2
13	MAIN CUP LEATHER	2
14	MAIN BUSHING	1
15	TOP NUT	1
16	BOTTOM CAP	1
17	NEEDLE VALVE	1
18	GATE VALVE	2
19	PILOT VALVE	1
20	INDICATOR ROD	1
21	INDICATOR STUFFING BOX	1
23	CAP CYLINDER	1
24	SEAT RING	1
25	STRAINER	1
25	DISC RING	1

125 # FLANGES

SIZE	WT	DIMENSIONS IN INCHES ±						
		A	B	C	D	E	F	
8"	670	23 ⁷ / ₈	13 ¹ / ₂	9	9	12 ¹ / ₂	12 ¹ / ₂	
10"	910	24 ⁷ / ₈	16	10 ³ / ₈	10 ³ / ₈	14 ¹ / ₄	14 ¹ / ₄	
12"	1320	30	19	11 ¹ / ₂	11 ⁵ / ₈	17 ¹ / ₄	17 ¹ / ₄	
14"	1800							
16"	2220	37 ⁷ / ₈	23 ¹ / ₂	15	15	21	21	
18"	3400	42 ³ / ₈	25	17 ¹ / ₂	17 ¹ / ₂	23 ¹ / ₂	23 ¹ / ₂	
20"	3800	42 ³ / ₈	27 ¹ / ₂	18 ³ / ₈	18 ³ / ₈	23 ¹ / ₂	23 ¹ / ₂	
24"	5000	48 ¹ / ₂	32	20	20	25 ³ / ₄	25 ³ / ₄	
30"	11250	63 ³ / ₄	38 ³ / ₄	26	26	36	36	

WESS VALVE MANUFACTURING CO.
TROY, NEW YORK

NOTE: FOR LOW PRESSURE AND
HIGH PRESSURE REGULATING
VALVE SIZES 8" TO 30"

NOTE: 8-7-36

8-7-36

1961

