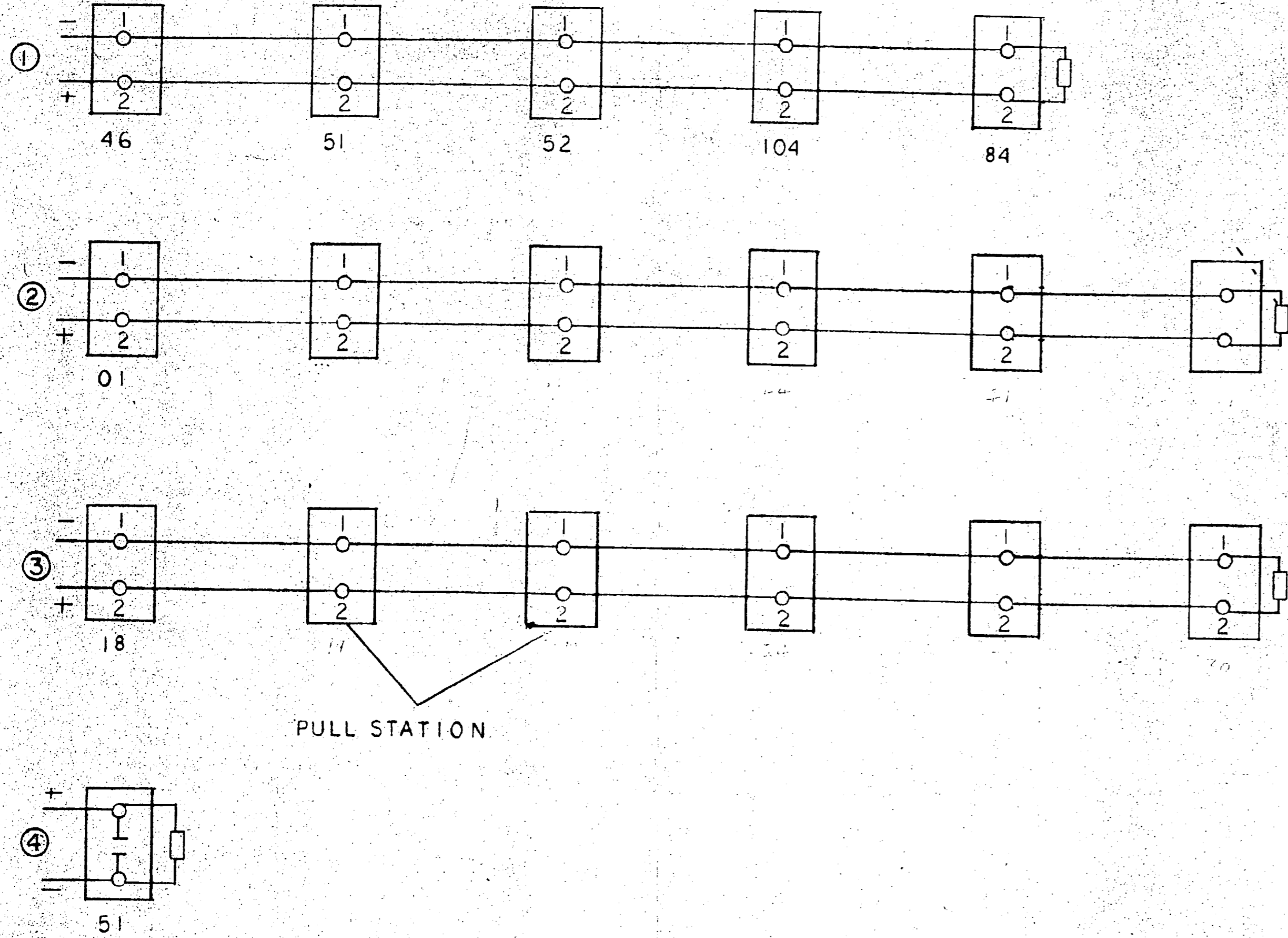


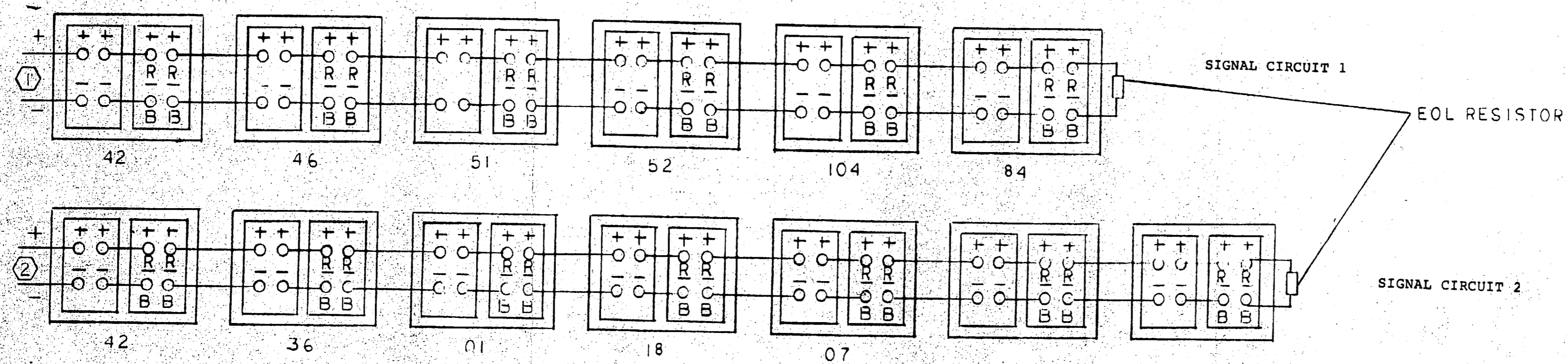
	PROJECT	DWG. NO.	REV
	BLDG 2615	1 OF 2	
BRANCH OFFICE	GATEWAY CENTER	CAMP LEJEUNE NC	ORDER NO.
LOCATION	MOHRISVILLE NC	WATSON ELECTRIC	RPQ NO.
TEL. NO.	919-467-3666	DRN. BY	RG
		APPVD. BY	

ZONE TERMINATIONS



SIGNAL CIRCUITS

HORN VISUAL



	PROJECT	DWG. NO.	REV.
	BLDG 2615	2 OF 2	
BRANCH OFFICE	GATEWAY CENTER	CAMP LEJEUNE NC	ORDER NO.
LOCATION	MORRISVILLE NC	WATSON ELECTRIC	RPO NO.
TEL. NO. 919-467-3666	DRN. BY RG	APPVD. BY	

