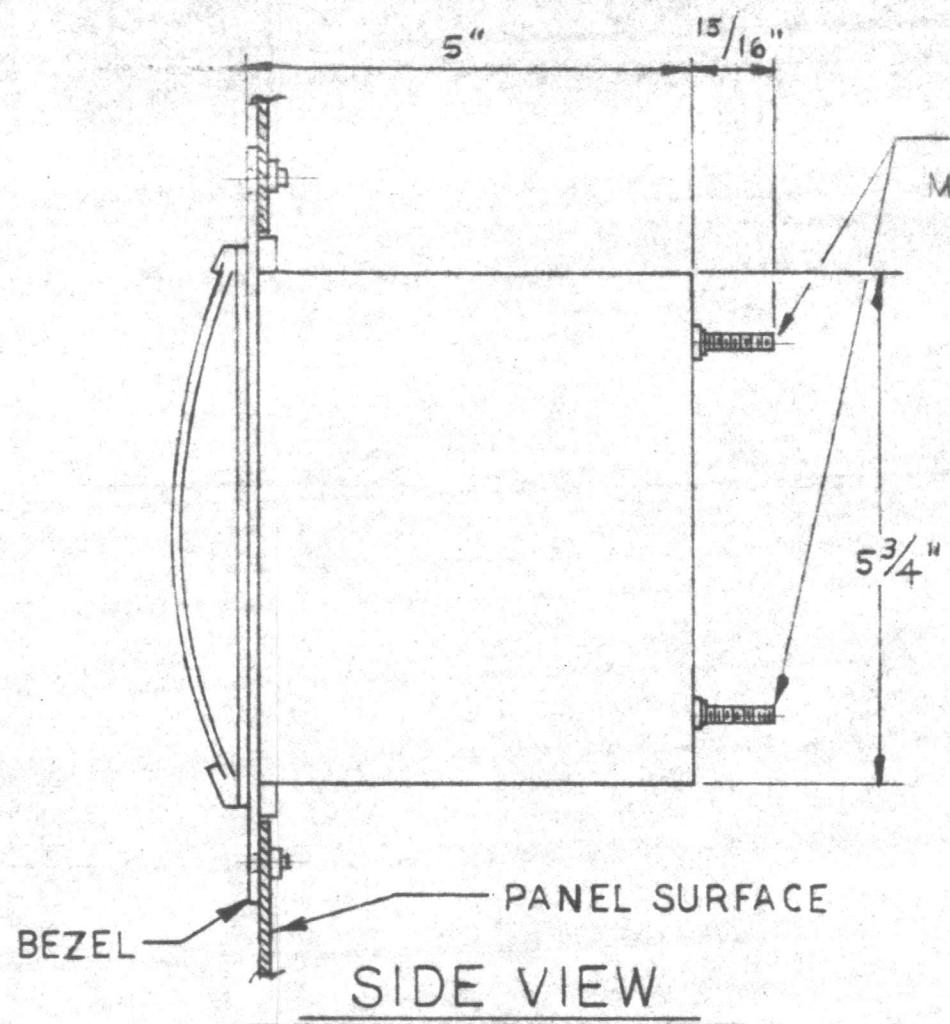
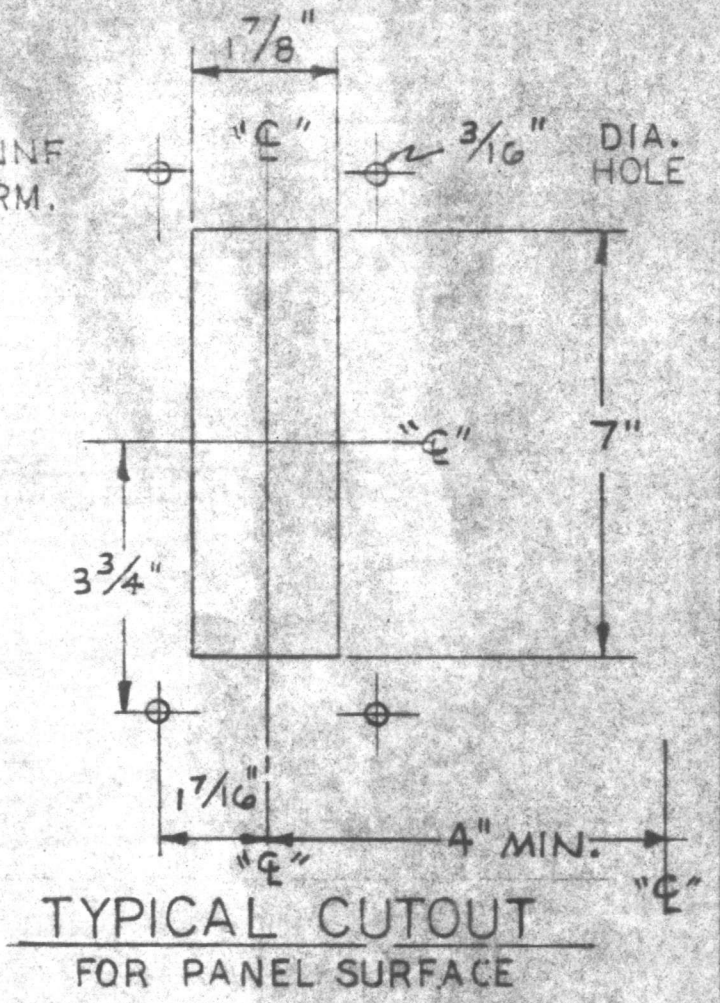


FRONT VIEW



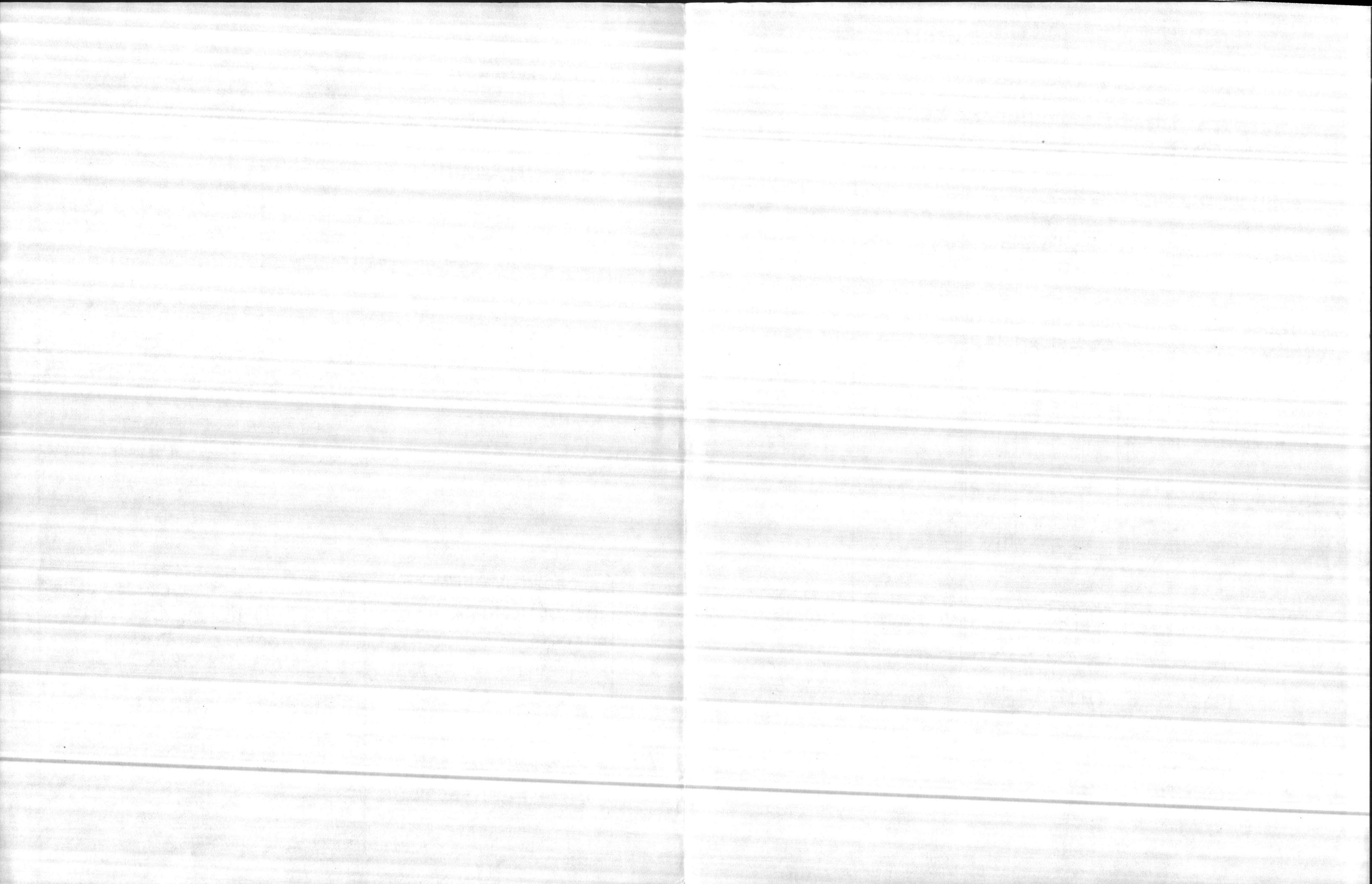
SIDE VIEW



TYPICAL CUTOUT FOR PANEL SURFACE

ORDER INFORMATION		NO.	REVISION	DATE	BY
JOB LOCATION: <u>CAMPLE JEUNE</u>		ELECTRONIC INDICATOR			
ROBERTS NO: <u>2093</u>		MODEL E-6V-1			
B/M ITEM NO: <u>611</u>		SINGLE VARIABLE			
INSTR. TAG: <u>FI-6</u>		<b>ROBERTS</b> FILTER MFG. COMPANY DARBYS, PENNSYLVANIA 15023			
QUANTITY: <u>5</u>					
SCALE: <u>0 TO 7000 GPM</u>		DRAWN	DATE	CHECKED	DATE
VARIABLE: <u>BACKWASH FLOW</u>		MLP	9-10-84		
BY: <u>JGT</u>		TRACED	DATE	APPROVED	DATE
DATE: <u>9-25-84</u>		SCALE	N.T.S.	CONTRACT	SO.
				<u>2093</u>	
		SECTION <b>A</b>		DWG. NO. <u>8784-5</u>	







APPROVED   
APPROVED AS NOTED \_\_\_\_\_  
DISAPPROVED \_\_\_\_\_

SUBJECT TO THE REQUIREMENTS OF

CONTRACT NO. **05-82-2552**

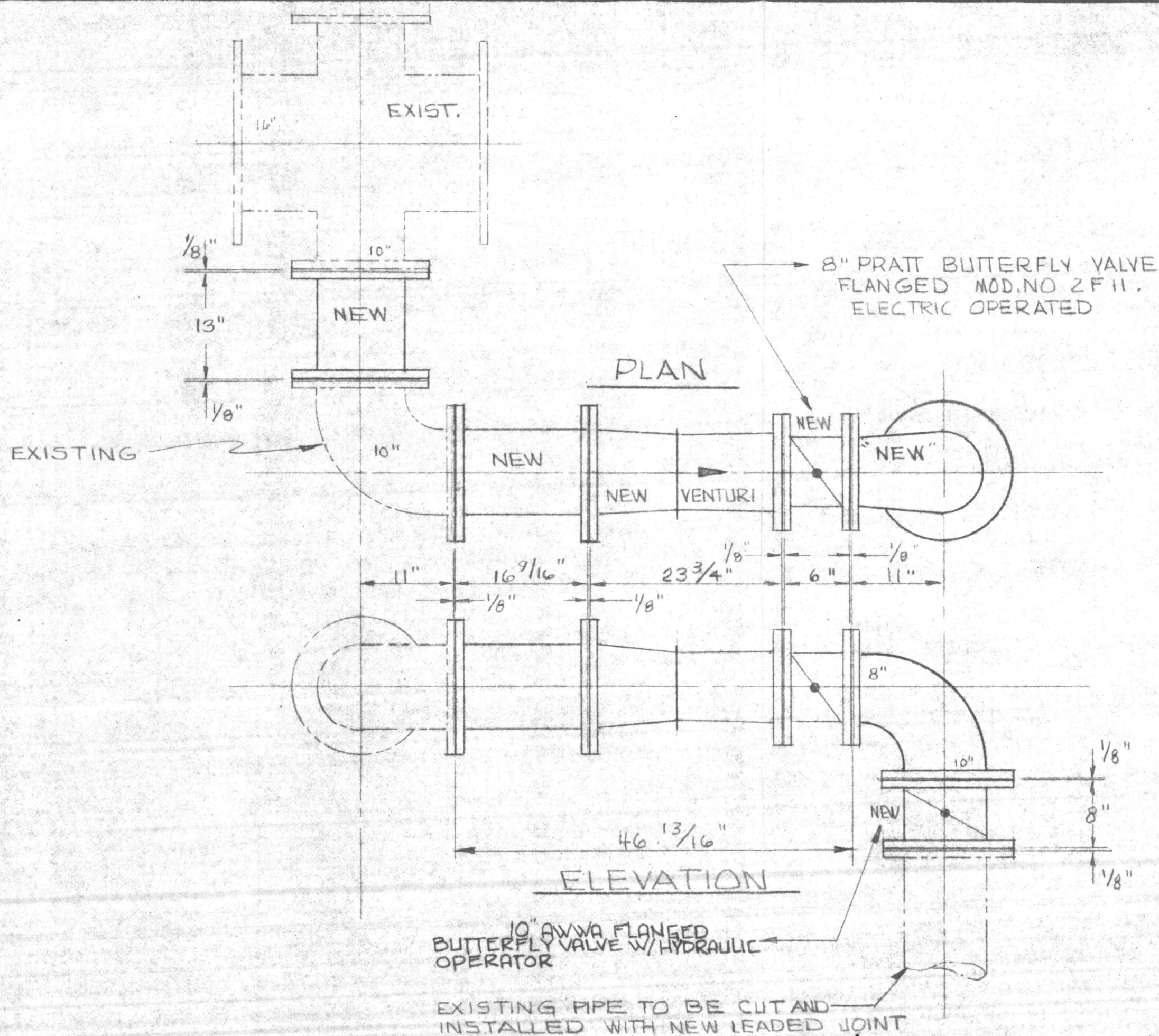
APPROVAL OF A SUBMITTAL DOES NOT INCLUDE  
APPROVAL OF ANY DEVIATION FROM THE CONTRACT  
REQUIREMENTS UNLESS THE CONTRACTOR  
CALLS ATTENTION TO AND SUPPORTS THE  
DEVIATION--THE CONTRACTOR SHALL BE  
RESPONSIBLE FOR PROVIDING PROPER  
PHYSICAL DIMENSIONS & WEIGHTS, COORDINATION  
OF TRADES, ETC., AS REQUIRED

REVIEWER CCS DATE 20 DEC 1984

FOR OFFICER IN CHARGE OF CONSTRUCTION

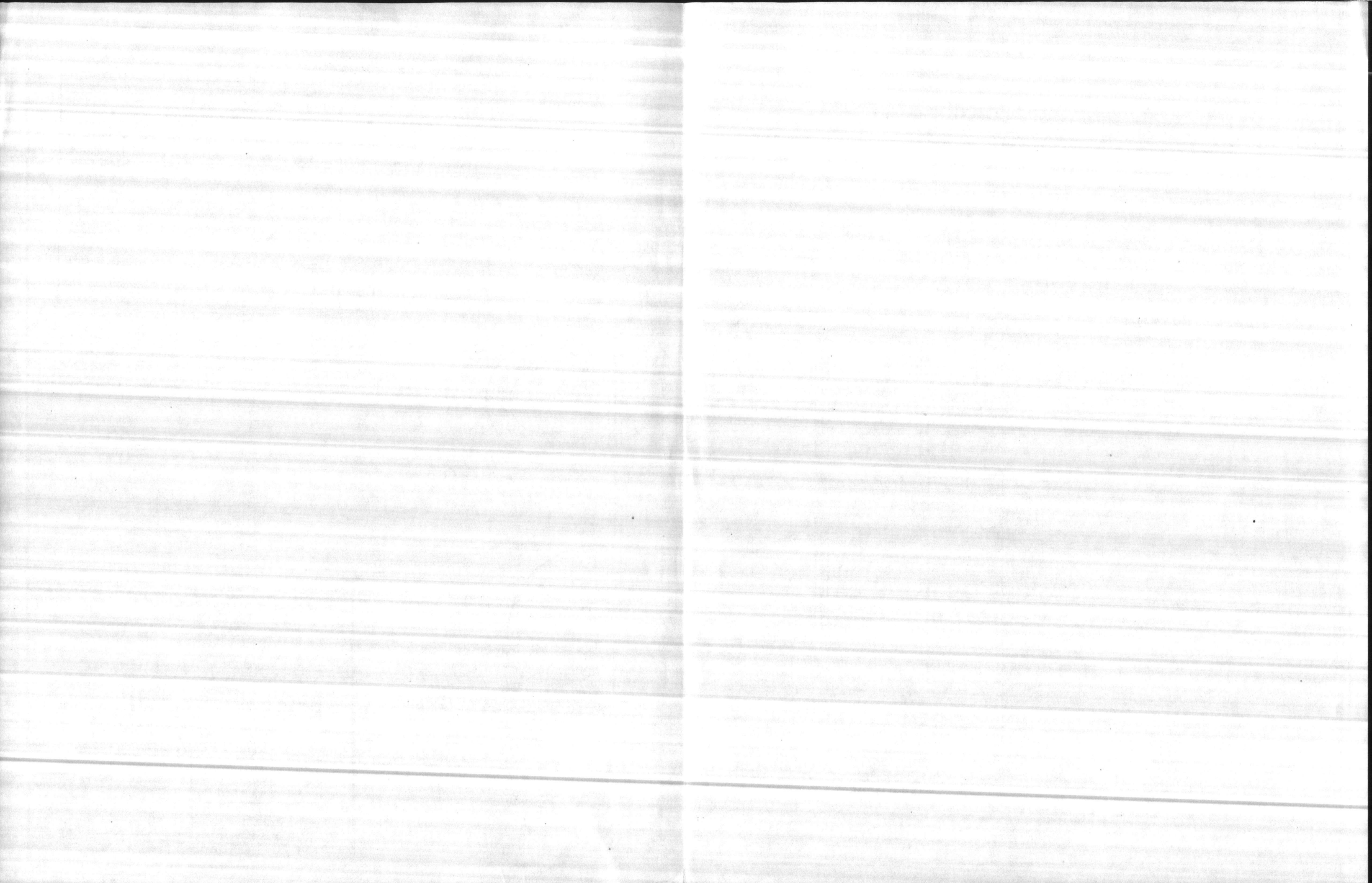
CONTRACT

IFB N62470-82-B-2552  
SPECIFICATION NO. 05-82-2552

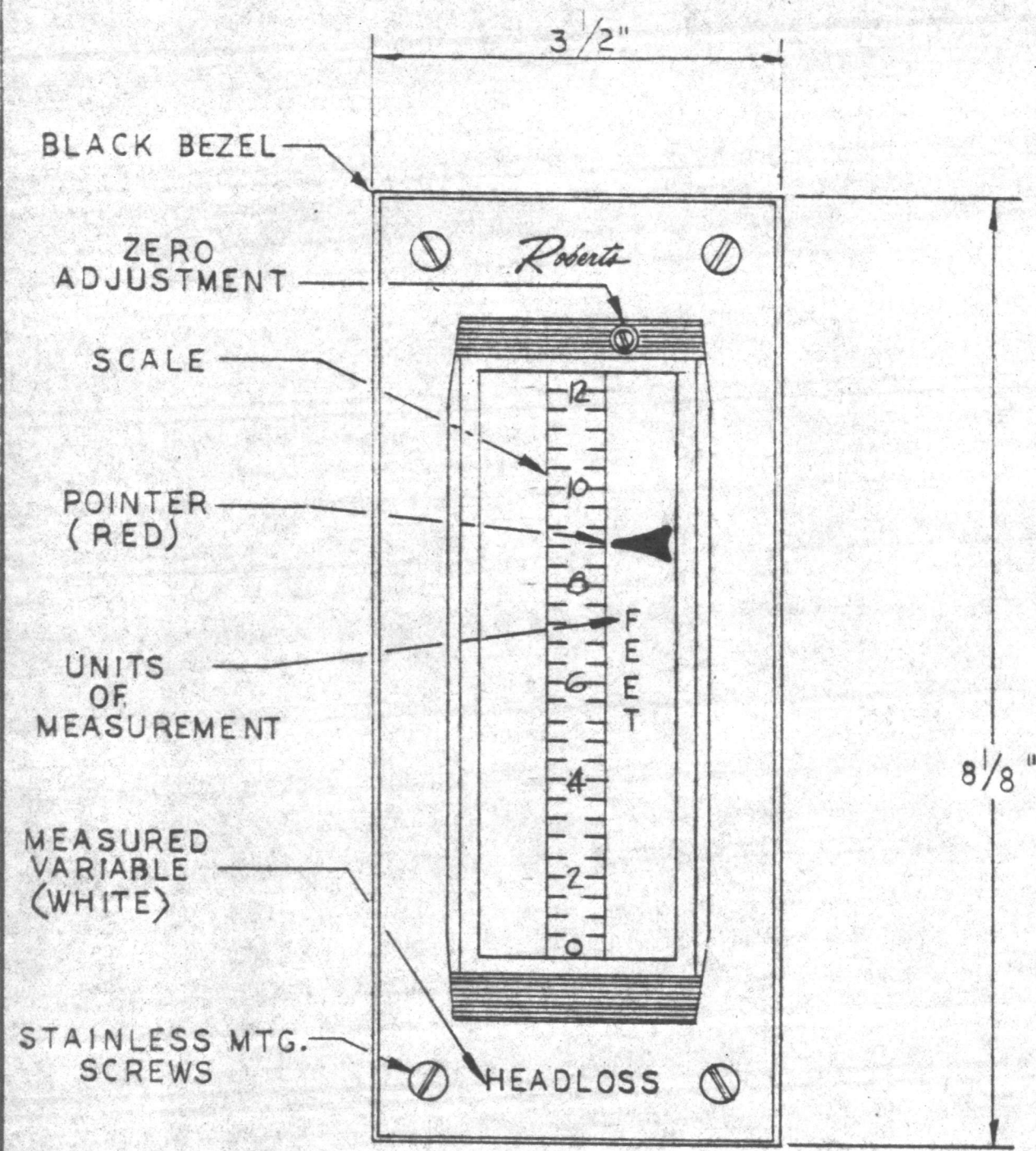


NO.		REVISION		DATE		BY	
PROPOSED ARR'G'T. OF VENTURI & VALVES FOR EFFLUENT CONTROL FOR CAMP LEJEUNE, NC.							
<b>ROBERTS</b>				FILTER MFG. COMPANY DARBY, PENNSYLVANIA 19023			
DRAWN	DATE	CHECKED	DATE	DRAWN	DATE	CHECKED	DATE
MPANCO	11-9-84	J.C.T.					
TRACED	DATE	APPROVED	DATE				
SCALE		CONTRACT		S.O.			
NTS		2093					
SECTION <b>A</b>				DWG. NO. 8784-6			

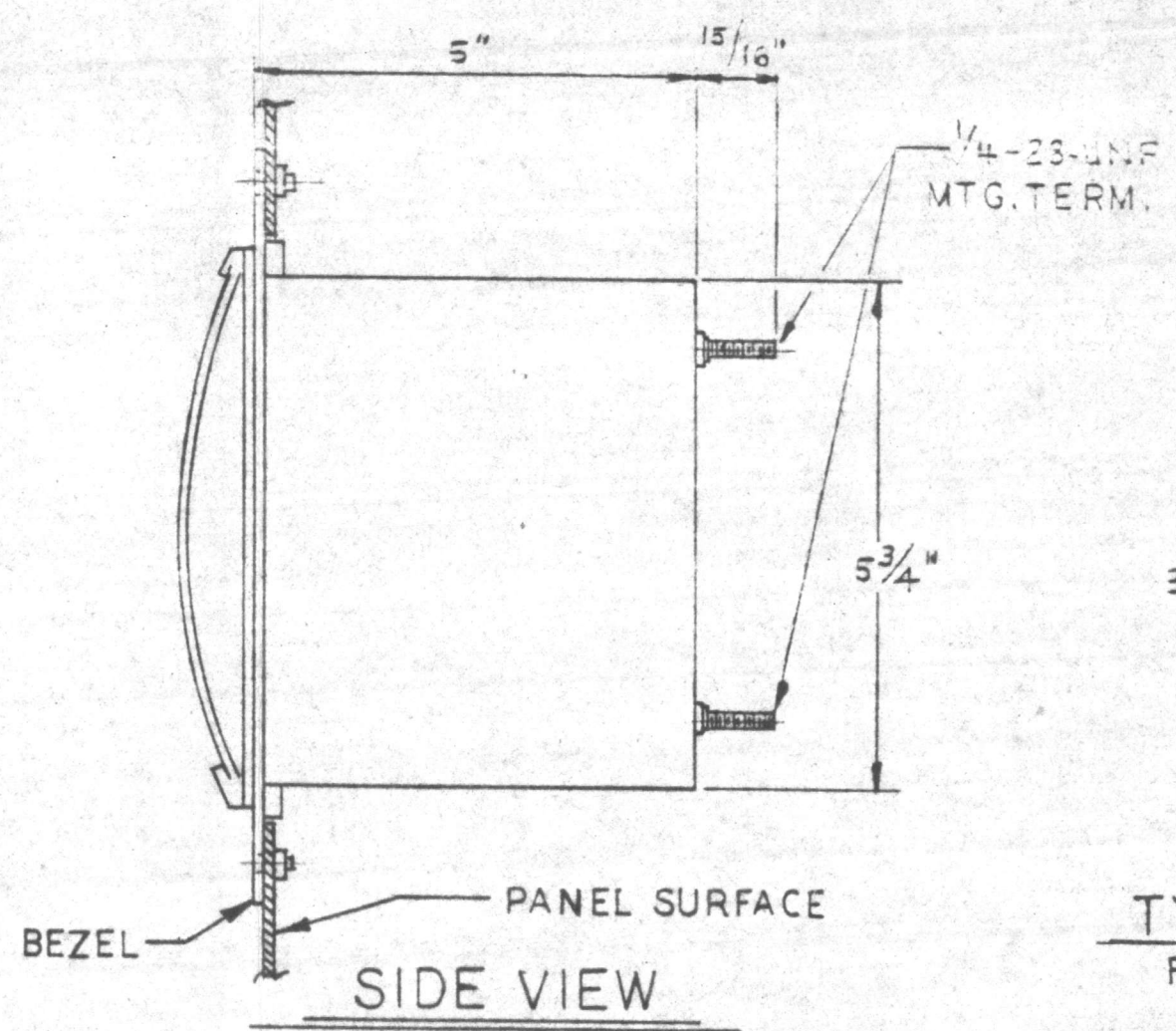




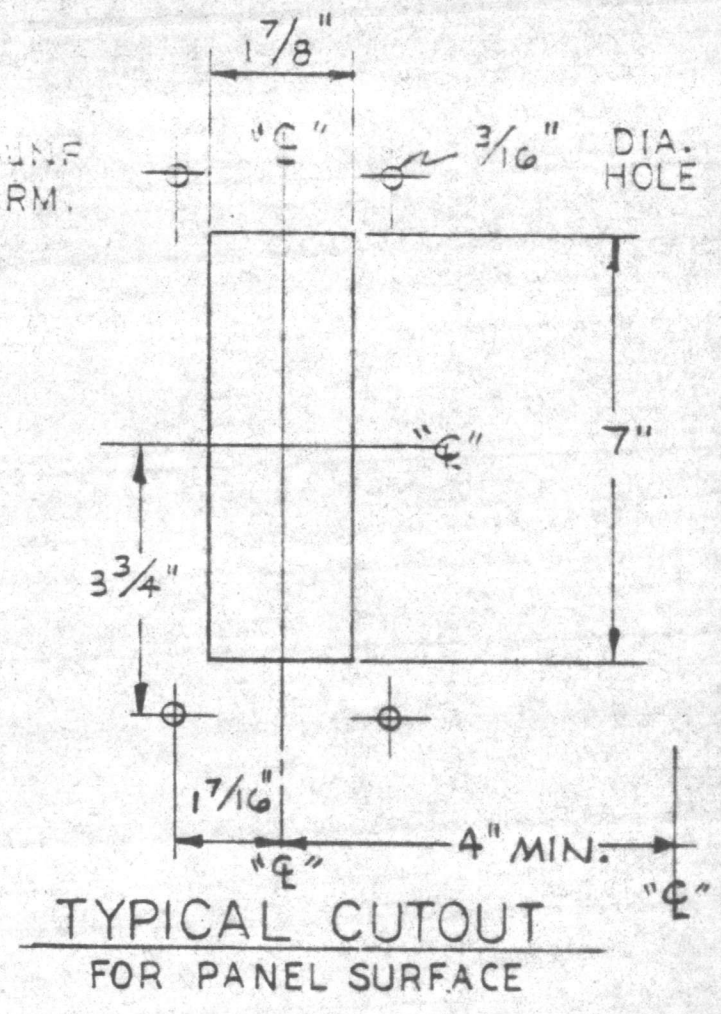




FRONT VIEW

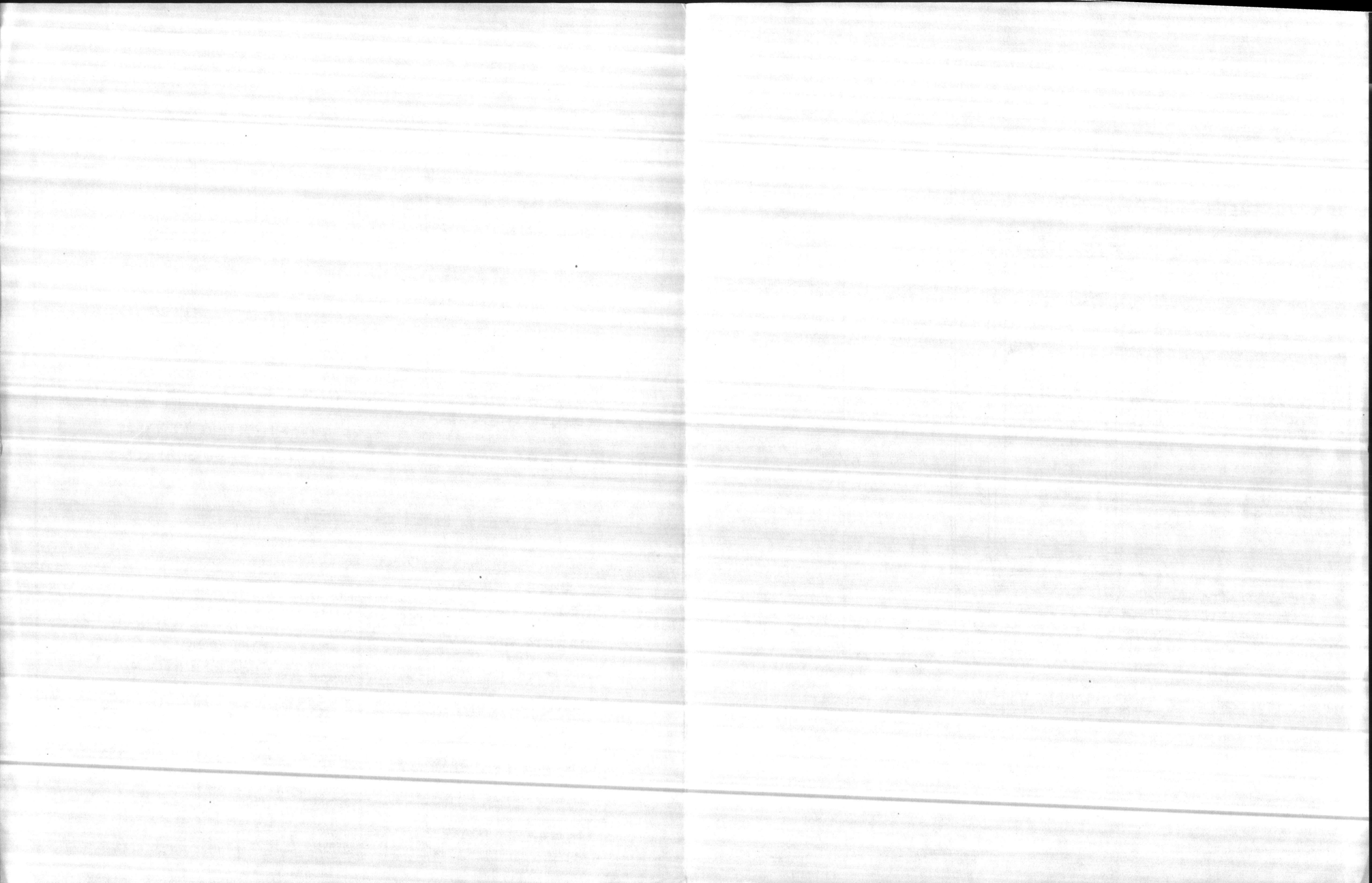


SIDE VIEW

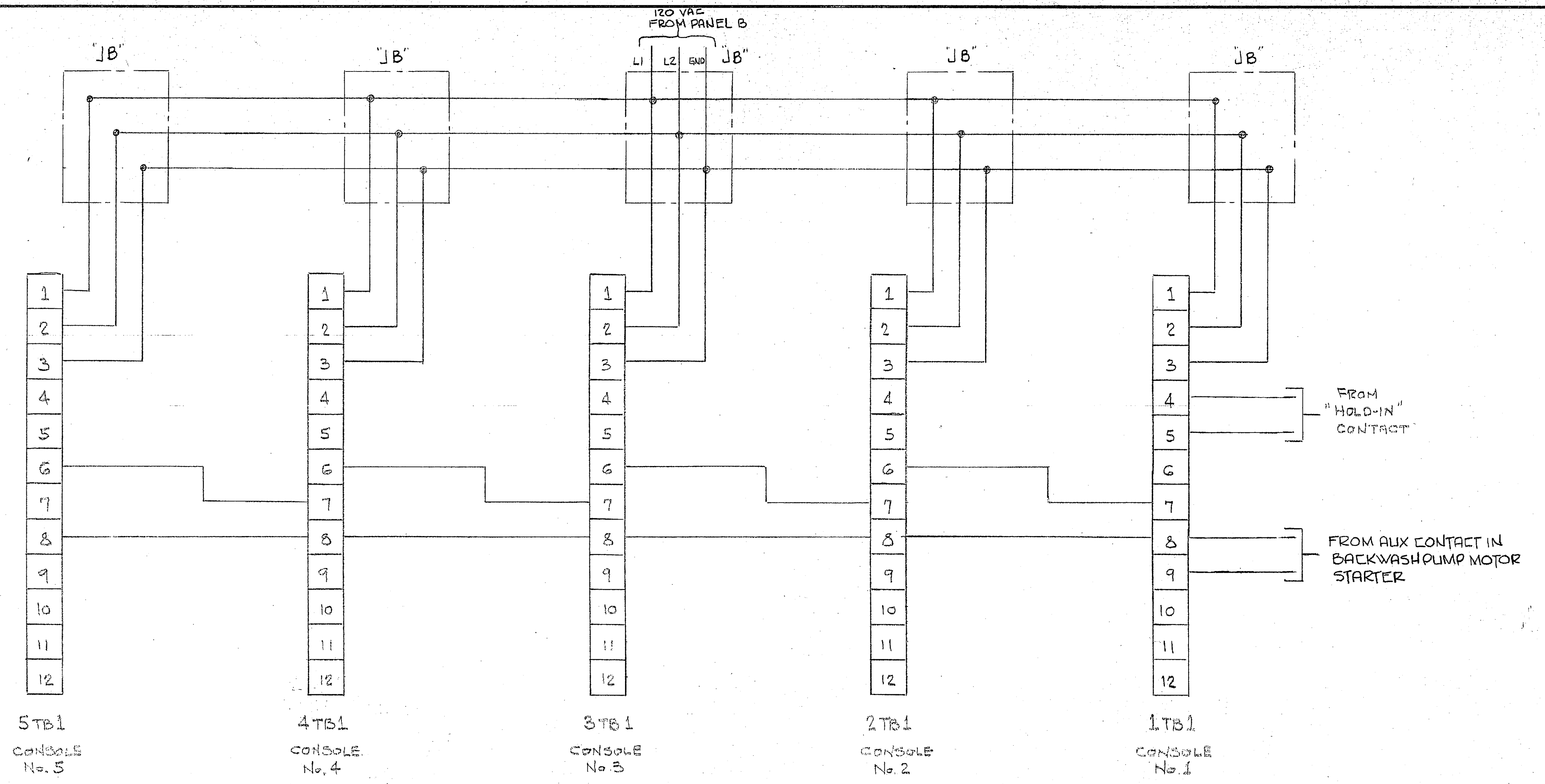


ORDER INFORMATION		NO.	REVISION	DATE	BY
JOB LOCATION: <u>CAMPBELL</u>		ELECTRONIC INDICATOR			
ROBERTS NO: <u>2093</u>		MODEL E-6V-1			
B/M ITEM NO: <u>612</u>		SINGLE VARIABLE			
INSTR. TAG: <u>DPI-1 to -5</u>		<b>ROBERTS</b> FILTER MFG. COMPANY DARBY, PENNSYLVANIA 19023			
QUANTITY: <u>5</u>					
SCALE: <u>0 TO 12 FT</u>		DRAWN	DATE	CHECKED	DATE
VARIABLE: <u>HEADLOSS</u>		MLP	9-10-84		
BY: <u>JCT</u>		TRACED	DATE	APPROVED	DATE
DATE: <u>9-25-84</u>		SCALE	N.T.S.	CONTRACT	S.O.
#5		SECTION <b>A</b>		2093	
		DWG. NO. <u>8784-4</u>			

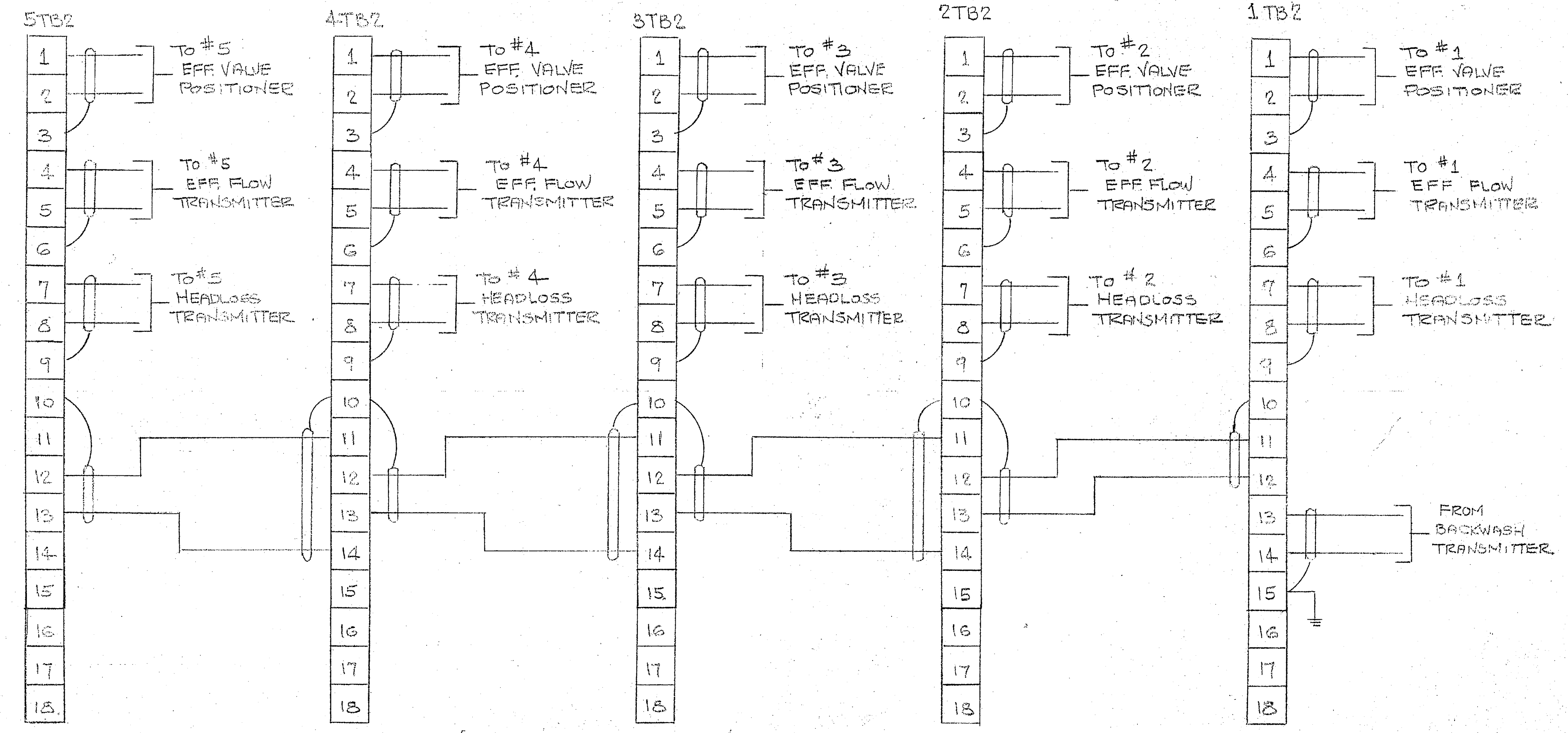








120 V.A.C. TERMINAL BLOCKS IN CONSOLE  
#12 AWG STRANDED COPPER WIRES



LOW VOLTAGE SIGNAL WIRING  
#22 AWG TWISTED PAIR WITH SHIELD  
(DO NOT RUN IN SAME CONDUIT WITH 120VAC)

NOTE:  
SEE DWG. G950-5 FOR  
WIRING NOTES.

ATLANTIC DIVISION  
NAVAL FACILITIES ENGINEERING COMMAND  
NORFOLK, VIRGINIA 23511

APPROVED AS NOTED  
DISAPPROVED

SUBJECT TO THE REQUIREMENTS OF  
CONTRACT NO. 05-82-2552  
APPROVAL OF A DESIGN DOES NOT INCLUDE  
APPROVAL OF ANY DEVIATION FROM THE CON-  
TRACT REQUIREMENTS UNLESS THE CON-  
TRACTOR CALLS ATTENTION TO AND SUPPORTS THE  
DEVIATION. THE CONTRACTOR SHALL BE  
RESPONSIBLE FOR PROVIDING PROPER  
PHYSICAL DIMENSIONS & WEIGHTS, COORDINA-  
TION OF TRADES, ETC., AS REQUIRED.

REVIEWER: *[Signature]* DATE: 11/2/85  
FOR OFFICER IN CHARGE OF CONSTRUCTION

NO.	REVISION	DATE	CHECKED	DATE

FIELD CONNECTIONS  
FOR  
CAMP LEWIS, N.C.

SCALE  
CONTRACT 2093  
SECTION G  
DWG. NO. G950-7

ROBERTS  
FILIER MANUFACTURING COMPANY  
Derry, Pennsylvania 15223







70/W66  
102

Hunt

**CONTRACTOR'S SUBMITTAL TRANSMITTAL**  
LANTDIV NORFOLK 4-4355/3 (Rev. 11-80)

CONTRACT NO 2552	TRANSMITTAL NO 12 pg 1	DATE 1/7/85
PROJECT TITLE AND LOCATION REPLACE EQUIPMENT - BUILDING 20 CAMP LE JEUNE, NC		

FROM CONTRACTOR  
ROBERTS FILTER MANUFACTURING CO.  
TO  
NAVAL FACILITIES ENGINEERING COMMAND

<p align="center"><b>CONTRACTOR USE ONLY</b></p> <p align="center">*List only one specification division per form.</p> <p align="center">List only one of the following categories on each transmittal form, and indicate which is being submitted</p> <p><input type="checkbox"/> Contractor Approved      <input type="checkbox"/> OICC Approval      <input type="checkbox"/> Deviation/Substitution For OICC Approval</p>	<p align="center"><b>REVIEWER USE ONLY</b></p> <p align="center">**ACTION CODES</p> <p>A-Approved D-Disapproved AN-Approved as noted RA-Receipt acknowledged. C-Comments R-Resubmit</p>
---	---

ITEM NO	PROJ. SPEC. SECT. & PARA. and/or PROJ. DWG. NO. *	ITEM IDENTIFICATION (Type, size, model no., Mfg. name, dwg. or brochure number)	NO. OF COPIES	ACTION CODES **	REVIEWER'S INITIALS CODE AND DATE
	10440 2.10	INSTRUMENTS AND CONTROLS - BUILDING 20			
1	6950-4	Filter Console Arrangement	7	A	CCS 405 12/20/84
2	6950-5	Schematic Wiring	7	A	RDA 404c 1/7/85
3	6950-6	Schematic Wiring	7	A	↓
4	6950-7	Filter Connections	7	A	
5	6950-8	Pressure Indicator		R	CCS 405 12/20/84

CONTRACTOR'S COMMENTS

HYDRAULIC OPERATED VALVE LATER

COPY OF TRANSMITTAL AND SUBMITTALS TO ROICC		CONTRACTOR REPRESENTATIVE (Signature) J.C. Thompson	
DATE RECEIVED BY REVIEWER 12/13	FROM (Reviewer) LANTDIV	TO ROBERTS / ROICC	

- Submittals are returned with action indicated. Approval of an item does not include approval of any deviation from the contract requirements unless the contractor calls attention to and supports the deviation.
- Submittals are forwarded to LANTDIV with A-E recommendations indicated in REVIEWER USE ONLY Section and in comments below on ONE COPY of the transmittal form.

REVIEWER'S COMMENTS

SEE ATTACHED

COPIES TO: ROICC (2) LANTDIV (1) A-E (1)	DATE 1/7/85	SIGNATURE J. Hunt
---	----------------	----------------------

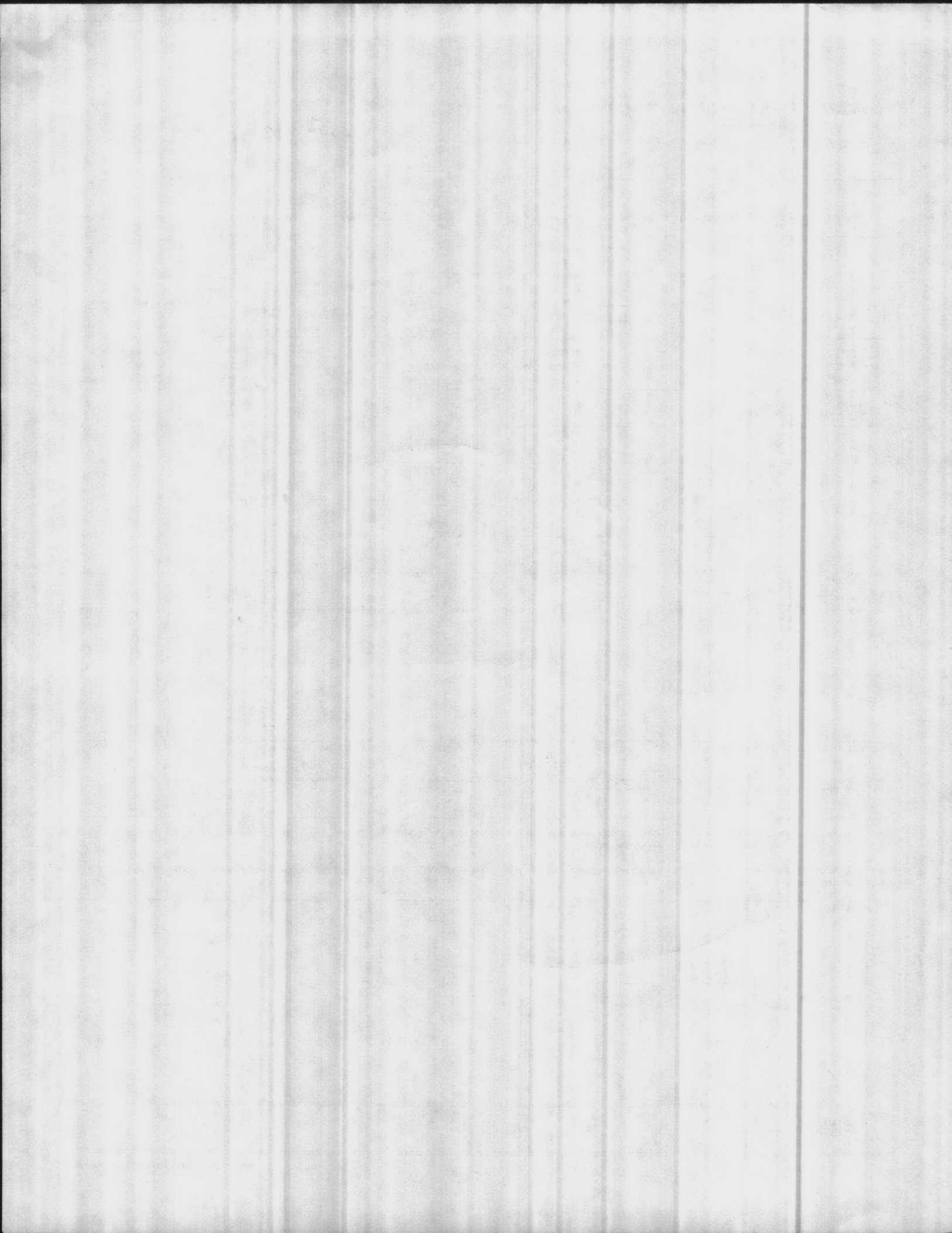














**CONTRACTOR'S SUBMITTAL TRANSMITTAL**

LANTDIV NORFOLK 4-4355/3 (Rev. 11-80)

CONTRACT NO W247 - 2-D-255	TRANSMITTAL NO 12, Page 3	DATE 1/10/85
-------------------------------	------------------------------	-----------------

FROM CONTRACTOR  
**ROBERTS FILTER MANUFACTURING COMPANY**  
TO  
**NAVAL FACILITIES ENGINEERING COMMAND**

PROJECT TITLE AND LOCATION  
**REPLACE EQUIPMENT - BUILDING  
CAMP LE JEU, VI**

<p><b>CONTRACTOR USE ONLY</b></p> <p><i>*List only one specification division per form.</i></p> <p><i>List only one of the following categories on each transmittal form, and indicate which is being submitted</i></p> <p><input type="checkbox"/> Contractor Approved      <input type="checkbox"/> OICC Approval      <input checked="" type="checkbox"/> Deviation/Substitution For OICC Approval</p>	<p><b>REVIEWER USE ONLY</b></p> <p><b>**ACTION CODES</b></p> <p>A-Approved D-Disapproved AN-Approved as noted RA-Receipt acknowledged. C-Comments R-Resubmit</p>
---	--

ITEM NO	PROJ. SPEC. SECT. & PARA. and/or PROJ. DWG. NO. *	ITEM IDENTIFICATION (Type, size, model no., Mfg. name, dwg. or brochure number)	NO. OF COPIES	ACTION CODES **	REVIEWER'S INITIALS CODE AND DATE
12	B-12319	Valve Wiring Diagram - Pratt	7	A	RDA 404C 1/7/85
13	C-6195	Port 5" Valve with Electric Operator	7	R	CCS 405 12/20/84
14	605105 Pagas	Fischer & Porter Controller	7	R	↓
15	"	Rosemount Flow Transmitter	7	R	
16	"	Rosemount Headless Transmitter	7	R	
17	"	Square 'D' Combination Starter	7	A	

CONTRACTOR'S COMMENTS

COPY OF TRANSMITTAL AND SUBMITTALS TO ROICC Lusion V. G. Grip		CONTRACTOR REPRESENTATIVE (Signature) <i>J. C. Thompson</i>	
DATE RECEIVED BY REVIEWER 1/10/85	FROM (Reviewer)	TO	

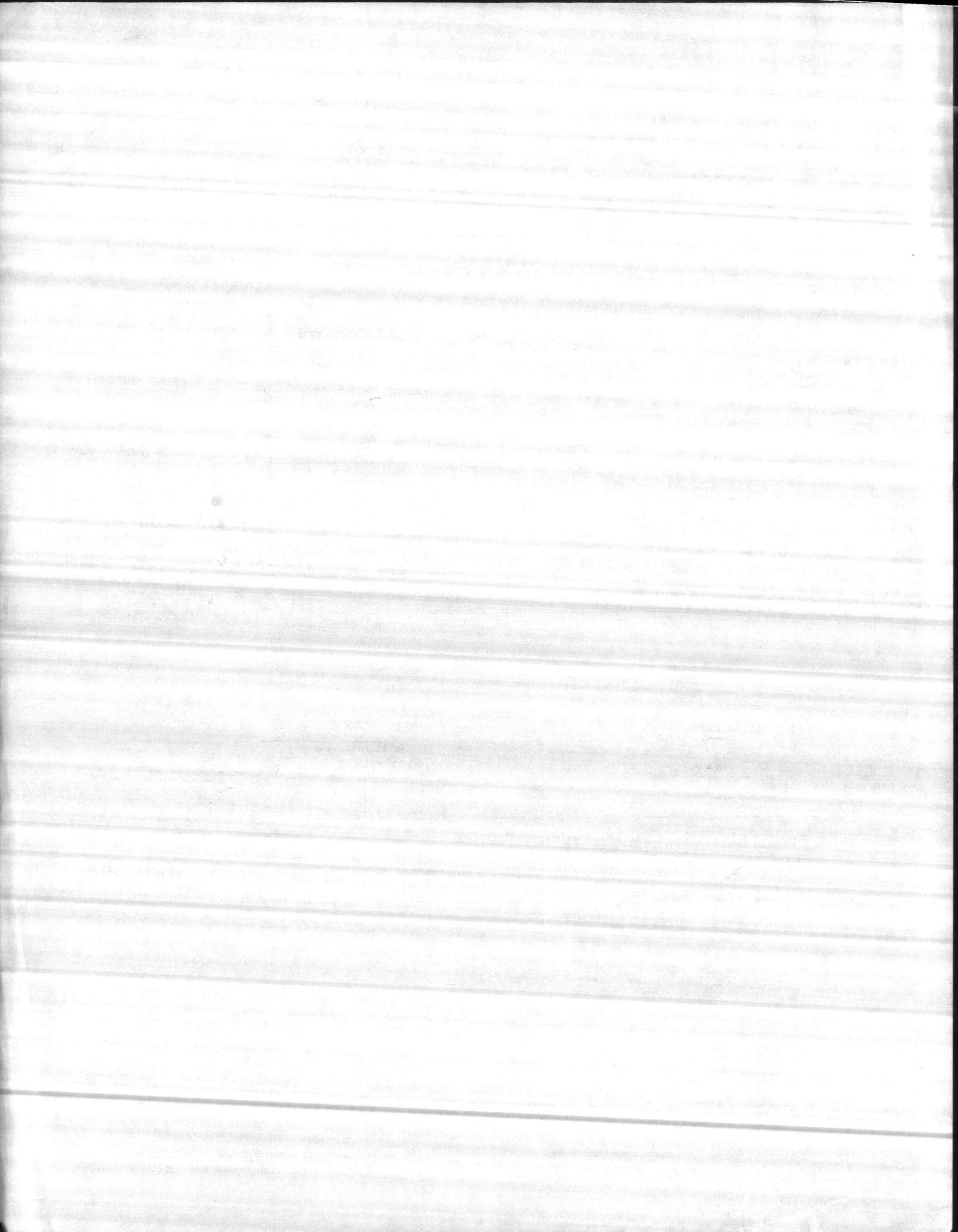
- Submittals are returned with action indicated. Approval of an item does not include approval of any deviation from the contract requirements unless the contractor calls attention to and supports the deviation.
- Submittals are forwarded to LANTDIV with A-E recommendations indicated in REVIEWER USE ONLY Section and in comments below on ONE COPY of the transmittal form.

REVIEWER'S COMMENTS

SEE ATTACHMENTS

COPIES TO: ROICC (2) LANTDIV (1) A-E (1)	DATE 1/10/85	SIGNATURE <i>[Signature]</i>
---	-----------------	---------------------------------





**CONTRACTOR'S SUBMITTAL TRANSMITTAL**  
LANTDIV NORFOLK 4-4355/3 (Rev. 11-80)

FROM CONTRACTOR  
**ROBERTS FILTER MANUFACTURING COMPANY**  
TO  
**NAVAL FACILITIES ENGINEERING COMMAND**

CONTRACT NO NC2470-82-P-252	TRANSMITTAL NO 71, Page 4	DATE 12/1/84
PROJECT TITLE AND LOCATION REPLACE EQUIPMENT - BUILDING 20 CAMP LE JEUNE, NC		

<p><b>CONTRACTOR USE ONLY</b></p> <p><i>*List only one specification division per form.</i></p> <p><i>List only one of the following categories on each transmittal form, and indicate which is being submitted</i></p> <p> <input type="checkbox"/> Contractor Approved                  <input type="checkbox"/> OICC Approval                  <input checked="" type="checkbox"/> Deviation/Substitution For OICC Approval         </p>	<p><b>REVIEWER USE ONLY</b></p> <p><b>**ACTION CODES</b></p> <p>A-Approved D-Disapproved AN-Approved as noted RA-Receipt acknowledged. C-Comments R-Resubmit</p>
---	--

ITEM NO.	PROJ. SPEC. SECT. & PARA. and/or PROJ. DWG. NO.	ITEM IDENTIFICATION (Type, size, model no., Mfg. name, dwg. or brochure number)	NO. OF COPIES	ACTION CODES	REVIEWER'S INITIALS CODE AND DATE
18	Catalog Pages	G. E. Pushbutton	7	A	REB 404 1/4/85
19	"	Dialco Light	7	D	REB 404 1/4/85
20	"	Accodian Power Supply	7	A	RDA 404C 11/7/85
21	"	Table Internals	7	A	CCS 405 12/20/84
22		Fischer Printer Console	7	A	↓
23	Letter	RFI to OICC, note/Deviation	1	AN	↓

CONTRACTOR'S COMMENTS

---

COPY OF TRANSMITTAL AND SUBMITTALS TO ROICC: **Ernest H. S. Grip**

CONTRACTOR REPRESENTATIVE (Signature): *J. C. Thompson*

DATE RECEIVED BY REVIEWER	FROM (Reviewer)	TO
---------------------------	-----------------	----

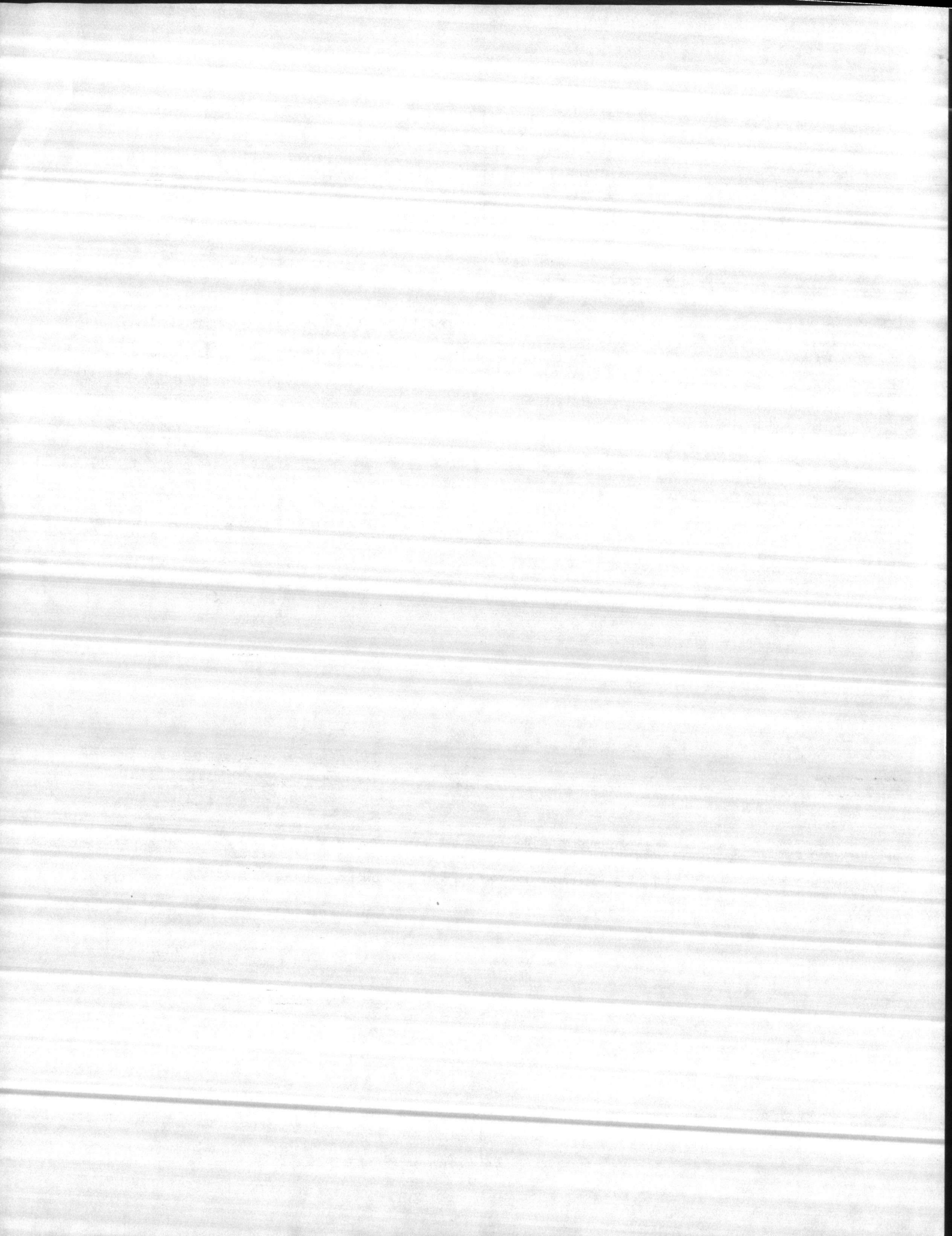
- Submittals are returned with action indicated. Approval of an item does not include approval of any deviation from the contract requirements unless the contractor calls attention to and supports the deviation.
- Submittals are forwarded to LANTDIV with A-E recommendations indicated in REVIEWER USE ONLY Section and in comments below on ONE COPY of the transmittal form.

REVIEWER'S COMMENTS

[Faint handwritten notes and signatures]

COPIES TO ROICC (2) LANTDIV (1) A-E (1)	DATE	SIGNATURE
--	------	-----------





82-2552 SUB. # 12 DATED 12/6/84

REVIEW COMMENTS 1/7/85

RESUBMIT # 5, #6 : WITH MANUFACTURER'S  
DATA, ACCURACY, MATERIAL

RESUBMIT # 11, #13 : WITH MANUFACTURER'S DATA  
MECH. STOP ADJ. RANGE, TYPE OF  
GEAR, MOTOR RPM, ~~SPP~~  
SPECIFIED 20,000 IN-10. OPERATOR  
TORQUE (4200 IN-10 NOT ACCEPTABLE)

RESUBMIT #14 : INDICATE INTENDED SERVICE OF  
CONTROLLER, MODEL NO.

RESUBMIT #15 : INDICATE RANGE ; MUST  
BE COMPATIBLE WITH VENTURIMETER  
~~DIFFERENTIAL~~ DIFFERENTIAL PRESSURE.

RESUBMIT # 16 : INDICATE RANGE & REQUIRED LOCAL  
INDICATION

DISAPPROVED #19 : PROVIDE REQ'D DIODE OR  
TRANSFORMER TYPE LIGHT AS  
SPECIFIED (2.1.9.4, 2.1.9.5)

J. Haste







**MINIATURIZED  
REGULATED  
Terminal Strip  
Connections**

**ALL MODELS U.L. RECOGNIZED**

Although small in size, these mini-modules offer high performance at modest prices. All models, with series regulated outputs ranging from 1 to 75 volts and as high as 2.5 amps, may be mounted in an area only 3.5" x 2.5". Dual output models are available with the ratings commonly required for driving op

amps and other balanced loads. Terminal strip input/output connections eliminate all need for sockets or soldering. Short circuit protection, encapsulated construction, and conservative design assure long term reliability.

**STANDARD FEATURES**

- May be used in series
- No derating or heat sinking required
- Short circuit protected
- Small, lightweight

**SPECIFICATIONS**

**Input Voltage:** 105-125 VAC, 47 to 420 Hz, single phase.

**Output Specifications:** See tables.

**Output Voltage Trim Adjustment:** Outputs factory preset to  $\pm 2\%$  (1 to 9 volt models) or  $\pm 1\%$  (10 to 75 volt models) of nominal output voltage. Single output models may be trimmed to the nominal voltage rating with an external trim resistor.

**Polarity:** Either positive or negative terminal of a single output module may be grounded. Dual output modules have a positive/common/negative output terminal configuration.

**Ambient Operating Temperature:** -20 to +71°C. (Model 5EB150, 0 to +71°C.) No derating required.

**Storage Temperature:** -55 to +85°C.

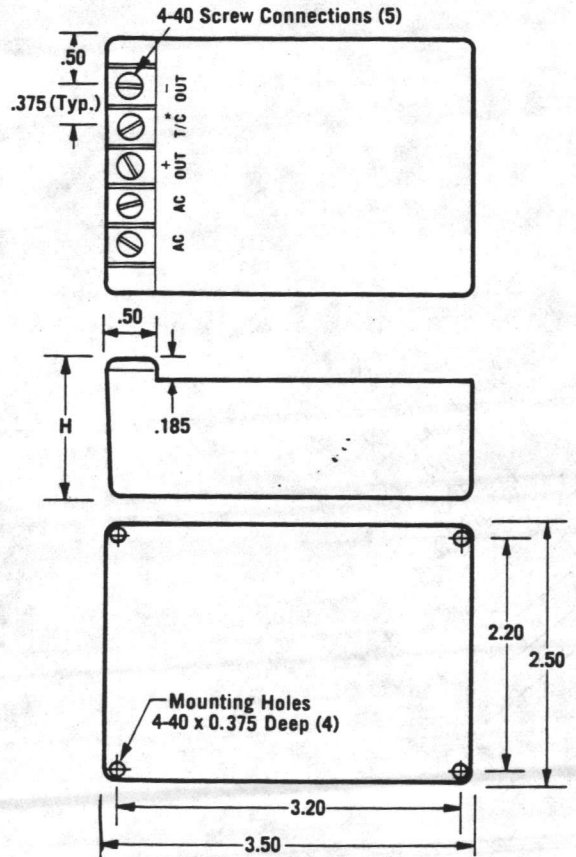
**Temperature Coefficient:** From 9 to 75 volts, approximate TC is .015%/°C; 1 to 8 volts, .03%/°C.

**Impedance:** 0.07 ohms at 1 kHz and 0.2 ohms at 10 kHz (approx.).

**Optional 230 Volt Input:** All models can be alternately furnished for operation on an input of 210 to 250 VAC, 47-420 Hz. To order, add suffix "-230" to model number and \$10.00 to price.

High voltage displays such as NIXIE\* indicators may be powered with the Model NX-25B or NX-50B. With an input of 115 VAC 47-420 Hz, they provide nominal (unregulated) outputs of 185 VDC.

\*Registered trademark of Burroughs Corp.



\*TRIM on single output modules; COMMON on duals

Case	H	Approx. Weight
EB-10	1.375	15oz
EB-13	1.625	1lb 4oz
EB-20	2.375	2lb 1oz

#20 POWER SUPPLY FOR TRANSMITTERS  
(MOUNTED WITH IN CONSOLES)



NAVAL FACILITIES DIVISION  
ATLANTIC DIVISION  
NORFOLK, VIRGINIA 23511

APPROVED  
DISAPPROVED  
SUBJECT TO THE REQUIREMENTS OF

CONTRACT APPROVAL  
APPROVAL OF CONTRACT REQUIREMENTS  
FOR CALLS NOT IN THE CONTRACT AND SUPPORTS THE CONTRACTOR'S RESPONSIBILITY FOR PROVIDING PROPER PHYSICAL DIMENSIONS & WEIGHTS, COORDINATION OF TRADES, ETC., AS REQUIRED.

05-02-255977

REVIEWER *RJA*

DATE *1/2/88*

FOR OFFICER IN CHARGE OF CONSTRUCTION

SINGLE OUTPUT MODELS

Output Voltage	Output Current Amps.	Regulation		Ripple mv RMS	Price	Model	Case Size
		Load ±%	Line ±%				
1	.500	.4	.05	1	\$ 79	1EB50	EB-10
1.5	.500	.3	.05	1	79	1.5EB50	EB-10
1.5	1.0	.5	.05	1	105	1.5EB100	EB-13
1.5	2.5	.6	.05	1	140	1.5EB250	EB-20
2	.400	.25	.05	1	79	2EB40	EB-10
3	.500	.25	.05	1	79	3EB50	EB-10
3.6	.500	.15	.05	1	79	3.6EB50	EB-10
3.6	1.0	.4	.05	1	105	3.6EB100	EB-13
3.6	2.5	.4	.05	1	140	3.6EB250	EB-20
4	.400	.15	.05	1	79	4EB40	EB-10
5	.500	.15	.05	1	79	5EB50	EB-10
5	1.0	.25	.05	1	95	5EB100	EB-13
5	1.5	.35	.1	1	110	5EB150	EB-13
5	2.0	.25	.05	1	125	5EB200	EB-20
5	2.5	.25	.05	1	140	5EB250	EB-20
6	.400	.1	.05	1	79	6EB40	EB-10
6	.550	.25	.05	1	95	6EB55	EB-10
6	1.0	.25	.05	1	110	6EB100	EB-13
6	1.75	.2	.05	1	130	6EB175	EB-20
7	.340	.1	.05	1	79	7EB34	EB-10
7	.450	.2	.05	1	95	7EB45	EB-10
7	.900	.25	.05	1	110	7EB90	EB-13
7	1.15	.2	.05	1	130	7EB115	EB-20
8	.300	.1	.05	1	79	8EB30	EB-10
8	.700	.2	.05	1	110	8EB70	EB-13
8	1.1	.2	.05	1	130	8EB110	EB-20
9	.260	.1	.05	1	79	9EB26	EB-10
9	.450	.15	.05	1	95	9EB45	EB-10
9	.850	.2	.05	1	110	9EB85	EB-13
9	1.5	.2	.05	1	135	9EB150	EB-20
10	.240	.05	.05	1	79	10EB24	EB-10
10	.400	.15	.05	1	95	10EB40	EB-10
10	.750	.2	.05	1	110	10EB75	EB-13
10	1.2	.15	.05	1	135	10EB120	EB-20
11	.220	.05	.05	1	79	11EB22	EB-10
11	.350	.15	.05	1	95	11EB35	EB-10
11	.600	.15	.05	1	110	11EB60	EB-13
11	1.0	.15	.05	1	135	11EB100	EB-20
12	.200	.05	.05	1	79	12EB20	EB-10
12	.400	.1	.05	1	95	12EB40	EB-10
12	.700	.15	.05	1	115	12EB70	EB-13
12	1.2	.2	.05	1	135	12EB120	EB-20
13	.200	.05	.05	1	79	13EB20	EB-10
13	.350	.1	.05	1	95	13EB35	EB-10
13	.600	.1	.05	1	115	13EB60	EB-13
13	1.0	.15	.05	1	135	13EB100	EB-20
14	.200	.05	.05	1	79	14EB20	EB-10
14	.300	.1	.05	1	95	14EB30	EB-10
14	.500	.1	.05	1	110	14EB50	EB-13
14	1.0	.15	.05	1	135	14EB100	EB-20
15	.200	.05	.05	1	79	15EB20	EB-10
15	.400	.1	.05	1	95	15EB40	EB-10
15	.600	.1	.05	1	110	15EB60	EB-13
15	1.0	.15	.05	1	135	15EB100	EB-20
16	.160	.05	.05	1	79	16EB16	EB-10
16	.350	.1	.05	1	100	16EB35	EB-10
16	.500	.1	.05	1	115	16EB50	EB-13
16	.900	.15	.05	1	135	16EB90	EB-20
17	.140	.05	.05	1	79	17EB14	EB-10
17	.325	.1	.05	1	100	17EB33	EB-10
17	.450	.1	.05	1	115	17EB45	EB-13
17	.750	.15	.05	1	135	17EB75	EB-20
18	.120	.05	.05	1	79	18EB12	EB-10
18	.270	.1	.05	1	95	18EB27	EB-10

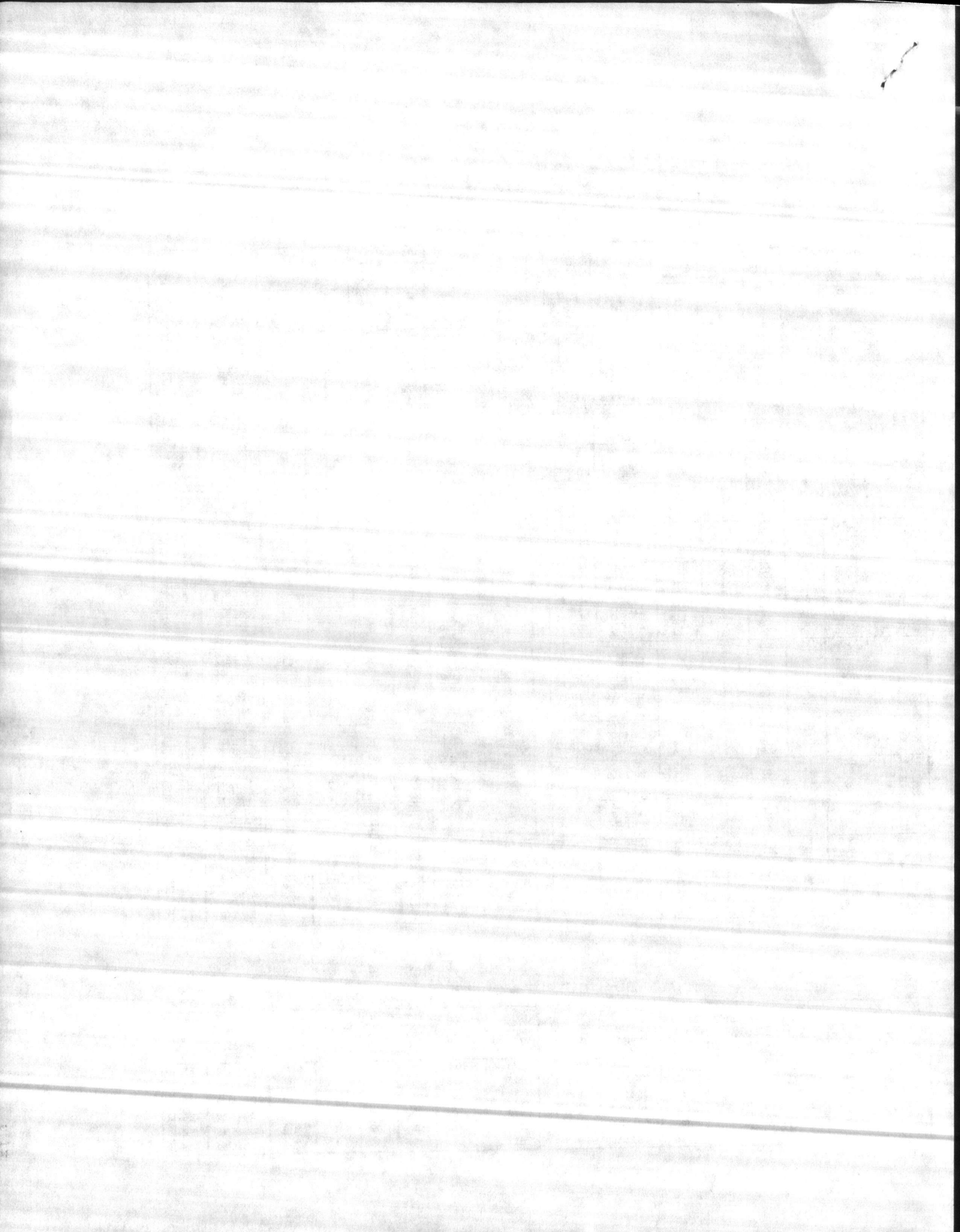
Output Voltage	Output Current Amps.	Regulation		Ripple mv RMS	Price	Model	Case Size
		Load ±%	Line ±%				
18	.400	.1	.05	1	\$110	18EB40	EB-13
18	.550	.1	.05	1	130	18EB55	EB-20
19	.120	.05	.05	1	79	19EB12	EB-10
19	.250	.1	.05	1	95	19EB25	EB-10
19	.400	.1	.05	1	110	19EB40	EB-13
19	.700	.1	.05	1	135	19EB70	EB-20
20	.120	.05	.05	1	79	20EB12	EB-10
20	.200	.1	.05	1	95	20EB20	EB-10
20	.400	.1	.05	1	110	20EB40	EB-13
20	.700	.1	.05	1	135	20EB70	EB-20
21	.120	.05	.05	1	79	21EB12	EB-10
21	.175	.1	.05	1	95	21EB18	EB-10
21	.375	.1	.05	1	110	21EB38	EB-13
22	.600	.1	.05	1	130	21EB60	EB-20
22	.100	.05	.05	1	79	22EB10	EB-10
22	.150	.1	.05	1	95	22EB15	EB-10
22	.300	.1	.05	1	110	22EB30	EB-13
22	.500	.1	.05	1	130	22EB50	EB-20
23	.100	.05	.05	1	79	23EB10	EB-10
23	.200	.1	.05	1	95	23EB20	EB-10
23	.300	.1	.05	1	110	23EB30	EB-13
23	.600	.1	.05	1	135	23EB60	EB-20
24	.100	.05	.05	1	79	24EB10	EB-10
24	.200	.1	.05	1	95	24EB20	EB-10
24	.350	.1	.05	1	115	24EB35	EB-13
24	.600	.1	.05	1	135	24EB60	EB-20
25	.100	.05	.05	1	79	25EB10	EB-10
25	.190	.1	.05	1	95	25EB19	EB-10
25	.325	.1	.05	1	115	25EB33	EB-13
25	.550	.1	.05	1	135	25EB55	EB-20
26	.080	.05	.05	1	79	26EB08	EB-10
26	.170	.1	.05	1	95	26EB17	EB-10
26	.300	.1	.05	1	110	26EB30	EB-13
26	.450	.1	.05	1	130	26EB45	EB-20
27	.080	.05	.05	1	79	27EB08	EB-10
27	.160	.1	.05	1	95	27EB16	EB-10
27	.300	.1	.05	1	110	27EB30	EB-13
27	.500	.1	.05	1	135	27EB50	EB-20
28	.080	.05	.05	1	79	28EB08	EB-10
28	.150	.1	.05	1	95	28EB15	EB-10
28	.300	.1	.05	1	115	28EB30	EB-13
28	.500	.1	.05	1	135	28EB50	EB-20
30	.080	.02	.02	1	85	30EB08	EB-13
32	.070	.02	.02	1	85	32EB07	EB-13
34	.060	.02	.02	1	85	34EB06	EB-13
35	.050	.02	.02	1	85	35EB05	EB-13
36	.050	.02	.02	1	85	36EB05	EB-13
38	.040	.02	.02	1	85	38EB04	EB-13
40	.030	.02	.02	1	85	40EB03	EB-13
40	.060	.02	.02	1	105	40EB06	EB-13
42	.030	.02	.02	1	85	42EB03	EB-13
44	.030	.02	.02	1	85	44EB03	EB-13
45	.030	.02	.02	1	85	45EB03	EB-13
48	.030	.02	.02	1	85	48EB03	EB-13
48	.050	.02	.02	1	105	48EB05	EB-13
50	.030	.02	.02	1	85	50EB03	EB-13
50	.050	.02	.02	1	105	50EB05	EB-13
55	.040	.02	.02	1	105	55EB04	EB-13
60	.050	.02	.02	1	105	60EB05	EB-13
65	.050	.02	.02	1	105	65EB05	EB-13
70	.040	.02	.02	1	105	70EB04	EB-13
75	.030	.02	.02	1	105	75EB03	EB-13
185	.025	Unregulated		2V	55	NX-25B	EB-10
185	.050	Unregulated		3.5V	75	NX-50B	EB-13

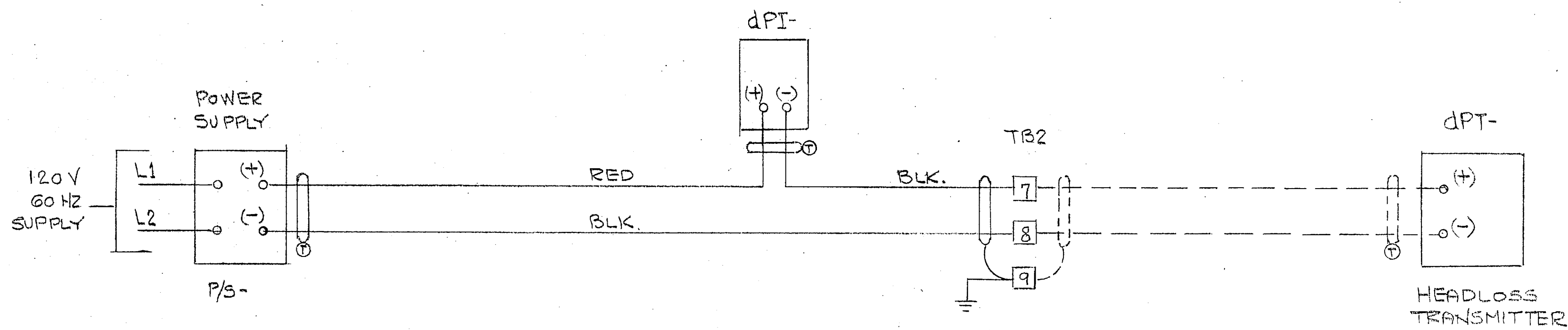
DUAL OUTPUT MODELS

Output Voltage	Current per Output Amps.	Regulation		Ripple mv RMS	Price	Model	Case Size
		Load ±%	Line ±%				
±12	.100	.05	.05	1	\$ 75	DB12-10	EB-10
±12	.150	.05	.05	1	85	DB12-15	EB-10
±12	.200	.05	.05	1	95	DB12-20	EB-10
±12	.300	.05	.05	1	115	DB12-30	EB-13
±12	.350	.05	.05	1	125	DB12-35	EB-13
±12	.500	.1	.05	1	145	DB12-50	EB-20

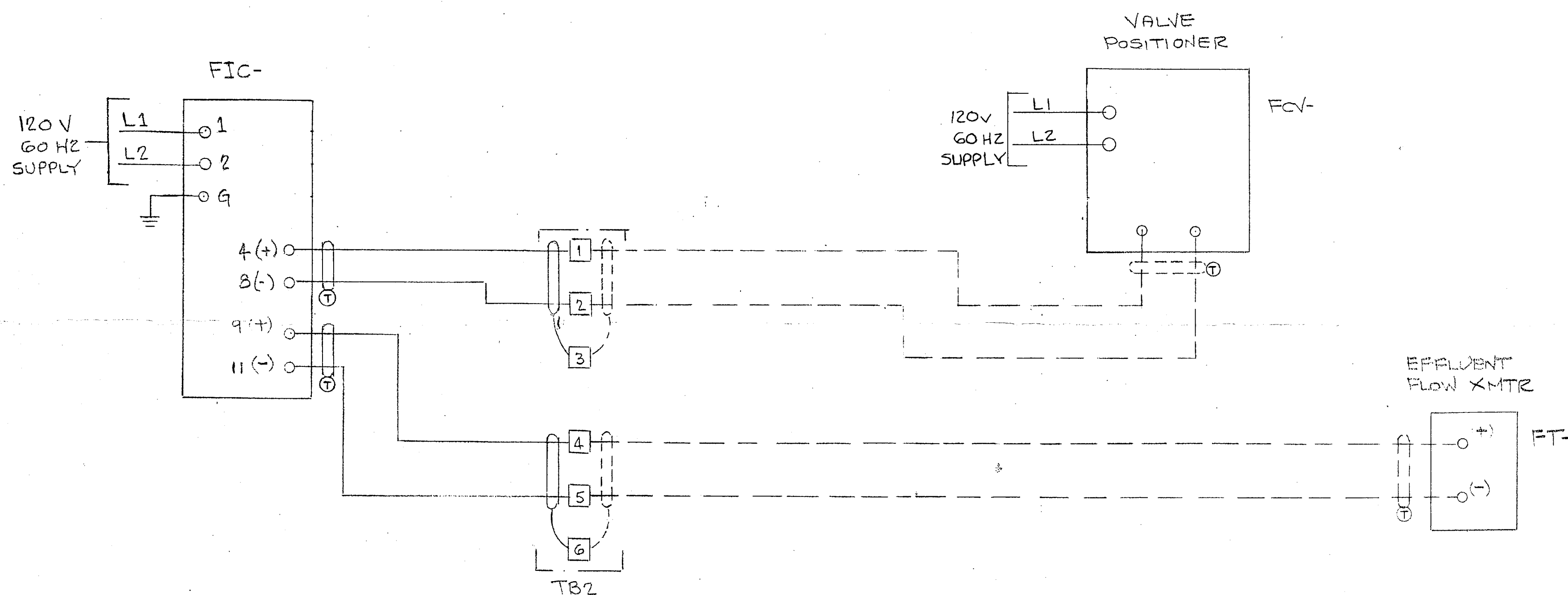
Output Voltage	Current per Output Amps.	Regulation		Ripple mv RMS	Price	Model	Case Size
		Load ±%	Line ±%				
±15	.100	.05	.05	1	\$ 75	DB15-10	EB-10
±15	.150	.05	.05	1	85	DB15-15	EB-10
±15	.200	.05	.05	1	95	DB15-20	EB-10
±15	.300	.05	.05	1	115	DB15-30	EB-13
±15	.350	.05	.05	1	125	DB15-35	EB-13
±15	.500	.1	.05	1	145	DB15-50	EB-20







HEADLOSS INDICATION  
TYPICAL FOR FIVE (5) CONSOLES

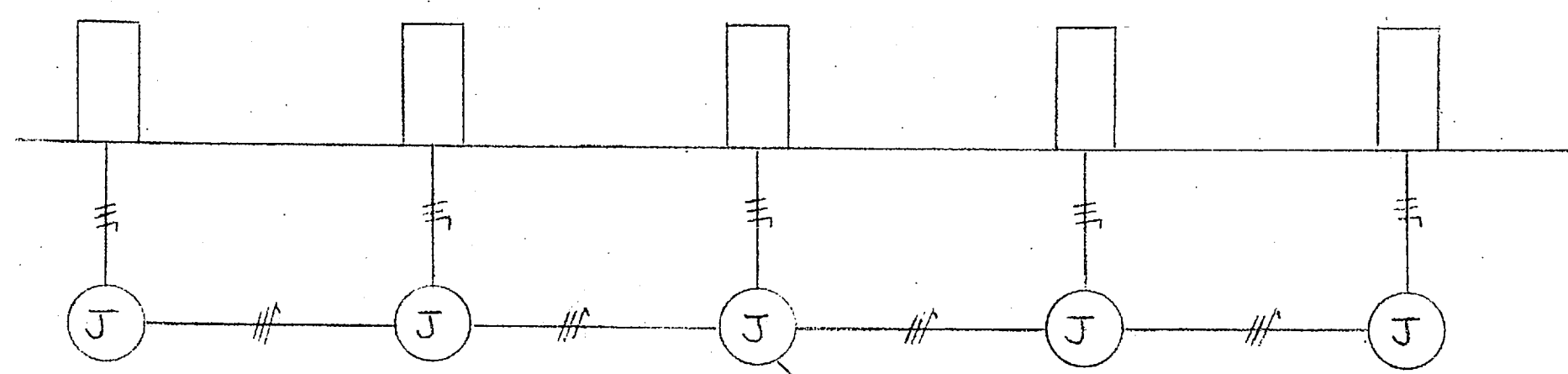


EFFLUENT FLOW CONTROL  
TYPICAL FOR FIVE (5) CONSOLES

NOTE -  
SEE DRAWING 6950-5 FOR WIRING NOTES

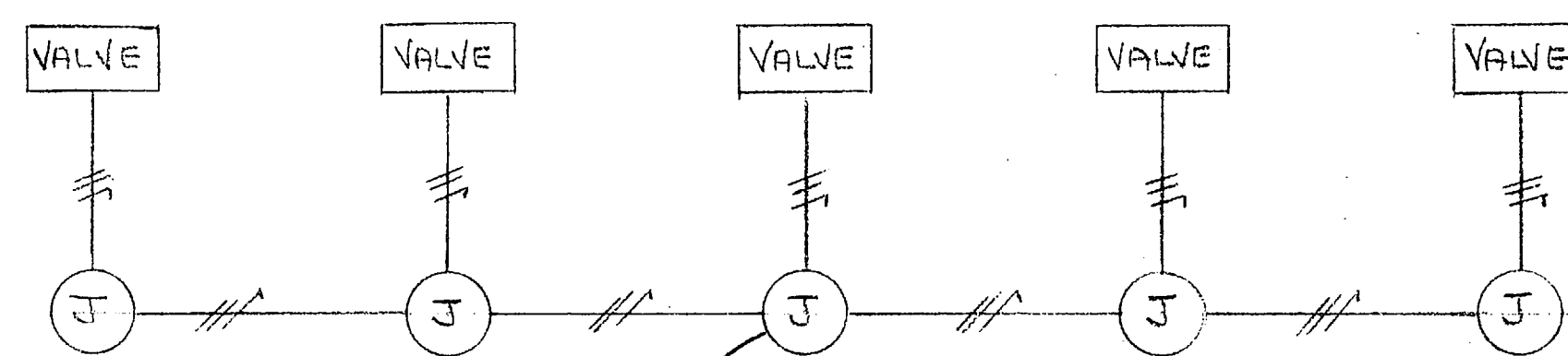
FILTER OPERATING TABLES (5)

120 VOLT, 1 PH, 60 HZ



2-#12 & 1-#12 GND. IN 1/2" C TO NEW 20 AMP, 1 PH. C.B. IN PANEL B

POWER WIRING TO TABLES



5#12 & 1-#12 GND IN 1/2" C TO THREE-NEW 20 AMP, 1 PH. C.B. IN PANEL "B"

VALVE POWER WIRING

ATLANTIC DIVISION  
NAVAL FACILITIES ENGINEERING COMMAND  
NORFOLK, VIRGINIA 23511

APPROVED  APPROVED AS NOTED  
DISAPPROVED

SUBJECT TO THE REQUIREMENTS OF  
CONTRACT NO. NAVFAC 4040

APPROVAL OF THIS DRAWING DOES NOT INCLUDE APPROVAL OF ANY DEVIATIONS FROM THE CONTRACT REQUIREMENTS UNLESS THE CONTRACTOR CALLS ATTENTION TO AND SUPPORTS THE DEVIATION. THE CONTRACTOR SHALL BE RESPONSIBLE FOR PROVIDING PROPER PHYSICAL DIMENSIONS & WEIGHTS, COORDINATION OF TRADES, ETC., AS REQUIRED.

REVIEWER RDA 4040 DATE 1/7/85

FOR OFFICER IN CHARGE OF CONSTRUCTION

SCALE 1" = 12"  
CONTRACT 2043  
SECTION 6  
DWG. NO. 6950-6

SCHEMATIC WIRING FOR CAMP LEJEUNE, N.C.

Roberts  
FILIER MANUFACTURING COMPANY  
Daly, Pennsylvania 15223

NO.	DATE	CHECKED	DATE



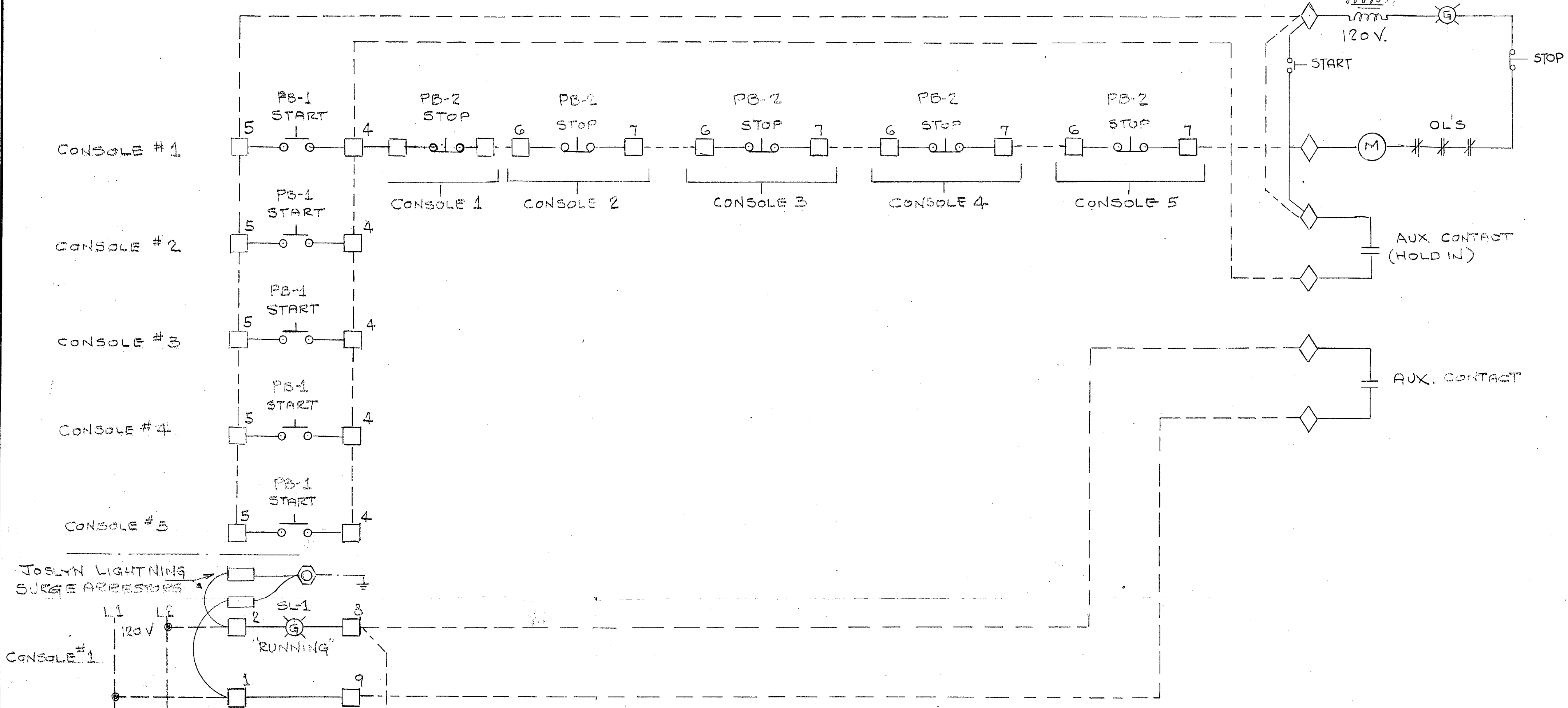
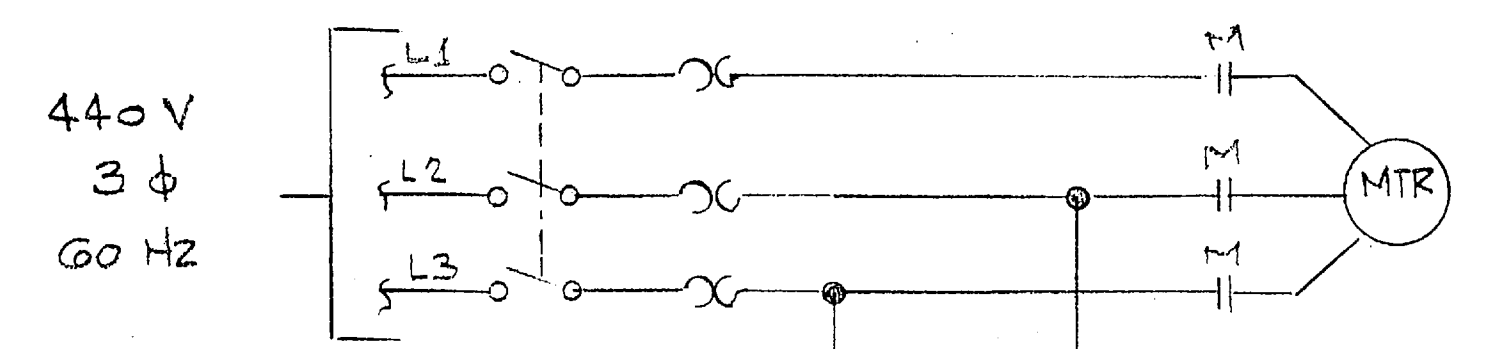


NO.	REVISION	DATE	CHECKED	DATE

FILIER MANUFACTURING COMPANY  
Dover, Pennsylvania 19033

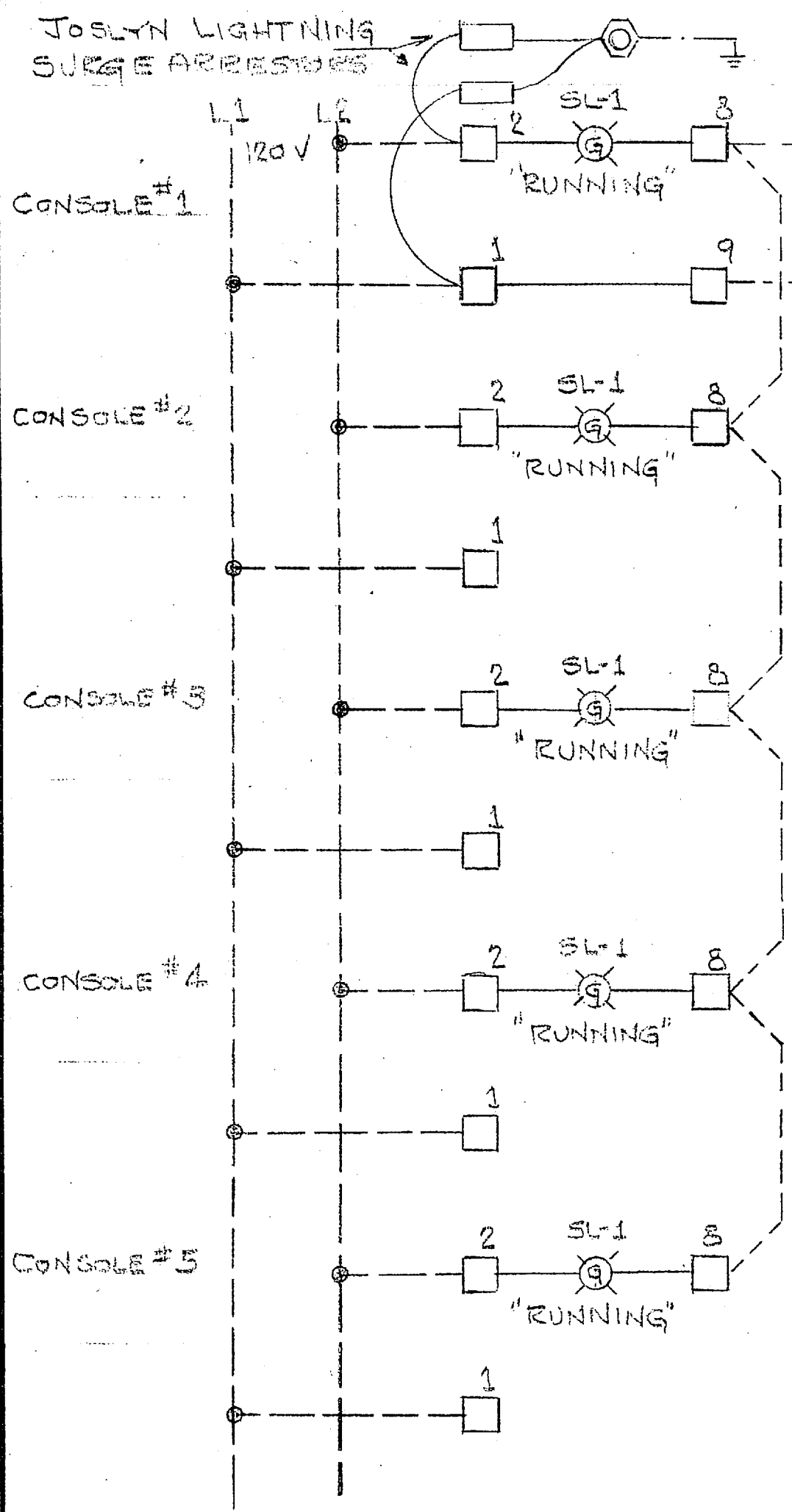
*Roberts*

Schematic Wiring Diagrams  
FOR  
CONDUIT LAYOUTS, NO.

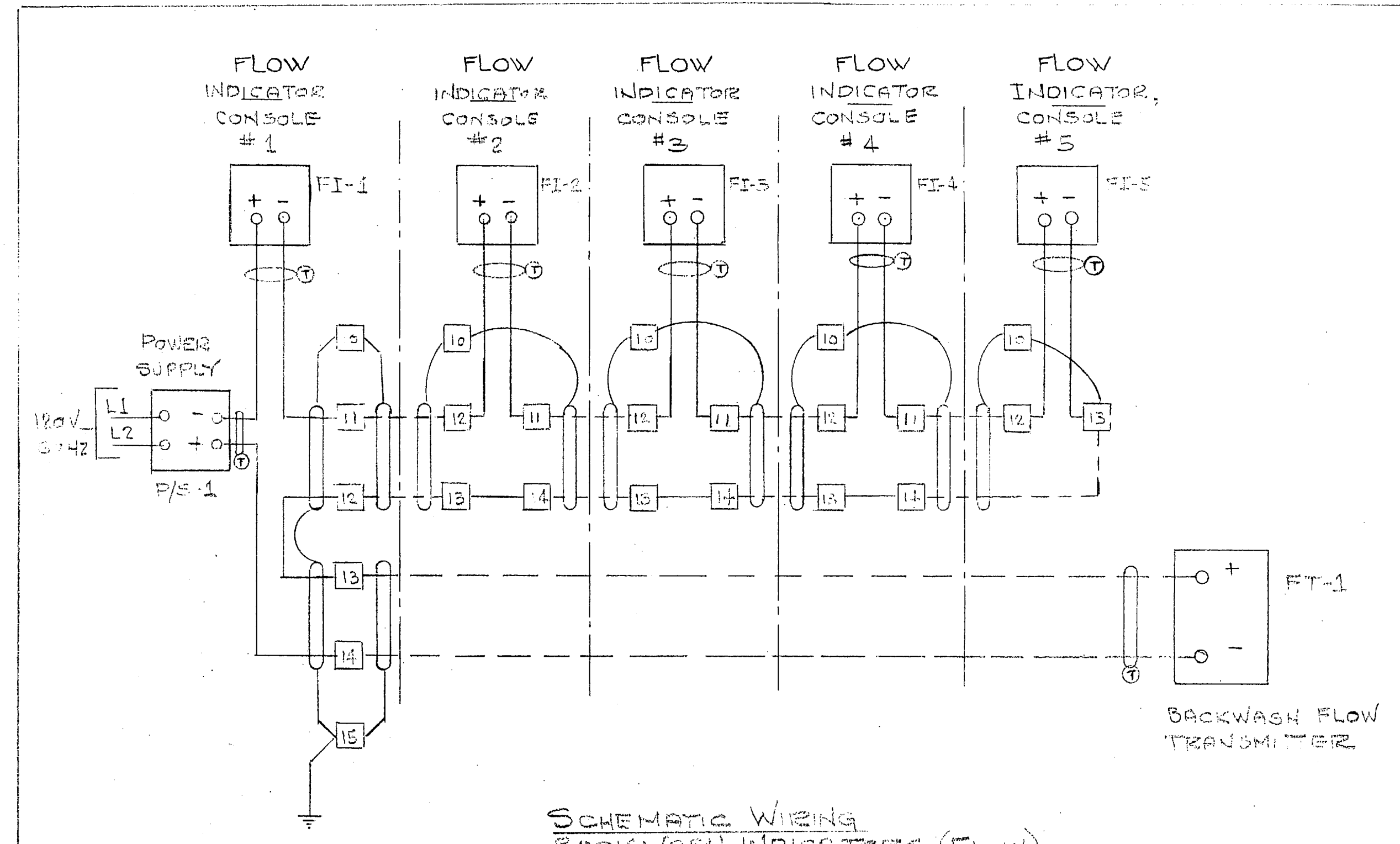


NOTES:

1. FIELD WIRING SHOWN - - - - -
2. Ⓟ TAP SHIELD AT END SHOWN (DO NOT CONNECT)
3. SHIELD TO BE GROUNDED AT CONSOLE #5 ONLY. (MUST BE CONTINUOUS)
4. LOW VOLTAGE WIRING - #22 AWG TWISTED PAIR WITH SHIELD
5. 120V WIRING - #16 AWG STRANDED COPPER WIRE
6. WIRING & CONDUIT TO BE IN ACCORDANCE WITH SPECIFICATIONS



SCHEMATIC WIRING  
BACKWASH PUMP CONTROL



SCHEMATIC WIRING  
BACKWASH INDICATORS (FLOW)

ATLANTIC DIVISION  
NAVAL FACILITIES ENGINEERING COMMAND  
NORFOLK, VIRGINIA 23511

APPROVED \_\_\_\_\_  
DISAPPROVED \_\_\_\_\_  
SUBJECT TO THE REQUIREMENTS OF

CONTRACT NO. 05-82-2152

APPROVAL OF A REVISION FROM THE CONTRACT REQUIREMENTS UNLESS THE CONTRACTOR CALLS ATTENTION TO AND SUPPORTS THE DEVIATION-THE CONTRACTOR SHALL BE RESPONSIBLE FOR PROVIDING PROPER PHYSICAL DIMENSIONS & WEIGHTS, COORDINATION OF TRADES, ETC., AS REQUIRED.

REVIEWER R.A. DATE 1/7/85

FOR OFFICER IN CHARGE OF CONSTRUCTION

SCALE \_\_\_\_\_

CONTRACT 2013

SECTION 3

DWG. NO. 6950-1





CUSTOMER: ROBERTS FILTER MFG. CO.  
 CUSTOMER P.O.: 35578-2093  
 PRATT ORDER NO.: 054265  
 PROJECT: MARINE CORP BASE-CAMP LEONINE

PRATT ITEM	QTY.	VALVE SIZE
01	5	8"

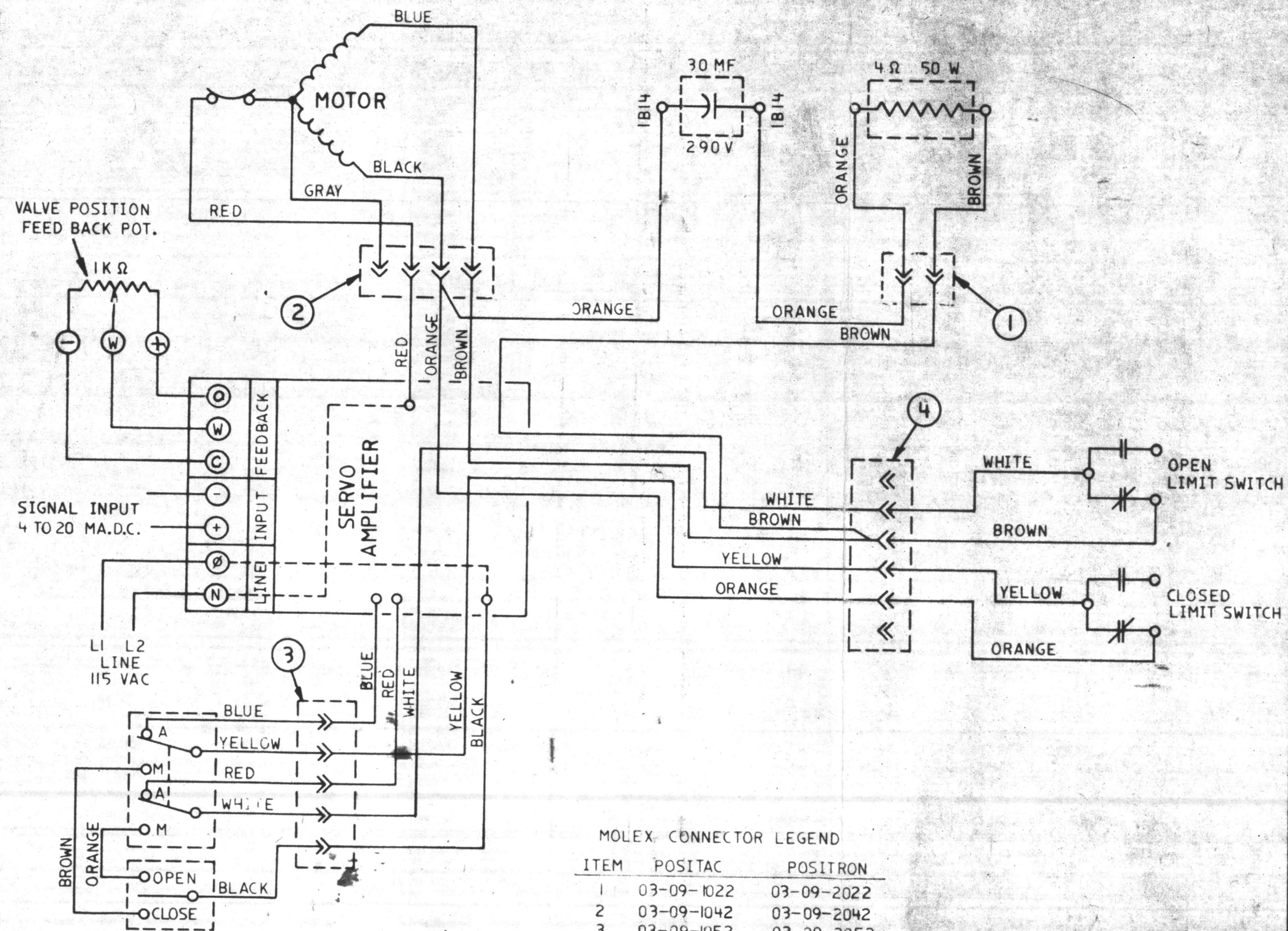
ATLANTIC DIVISION  
 NAVAL FACILITIES ENGINEERING COMMAND  
 NORFOLK, VIRGINIA 23511

APPROVED   
 APPROVED AS NOTED   
 DISAPPROVED   
 SUBJECT TO THE REQUIREMENTS OF

CONTRACT NO. 05-82-2552  
 APPROVAL OF ANY DEVIATION FROM THE CONTRACT REQUIREMENTS BY THE CONTRACTOR CALLS ATTENTION TO THE SUPPORTS THE DEVIATION--THE CONTRACTOR SHALL BE RESPONSIBLE FOR PROVIDING PROPER PHYSICAL DIMENSIONS & WEIGHTS, COORDINATION OF TRADES, ETC., AS REQUIRED.

REVIEWER: *Eda 4090* DATE: 1/7/85

FOR OFFICER IN CHARGE OF CONSTRUCTION



MOLEX CONNECTOR LEGEND

ITEM	POSITAC	POSITRON
1	03-09-1022	03-09-2022
2	03-09-1042	03-09-2042
3	03-09-1052	03-09-2052
4	03-09-1064	03-09-2062
PINS	02-09-1103	02-09-2103

REV.	DATE	BY	APP.	REV.	DATE	BY	APP.
4				8			
3				7			
2				6			
1				5			

**PRATT** HENRY PRATT COMPANY  
 AURORA, ILL.

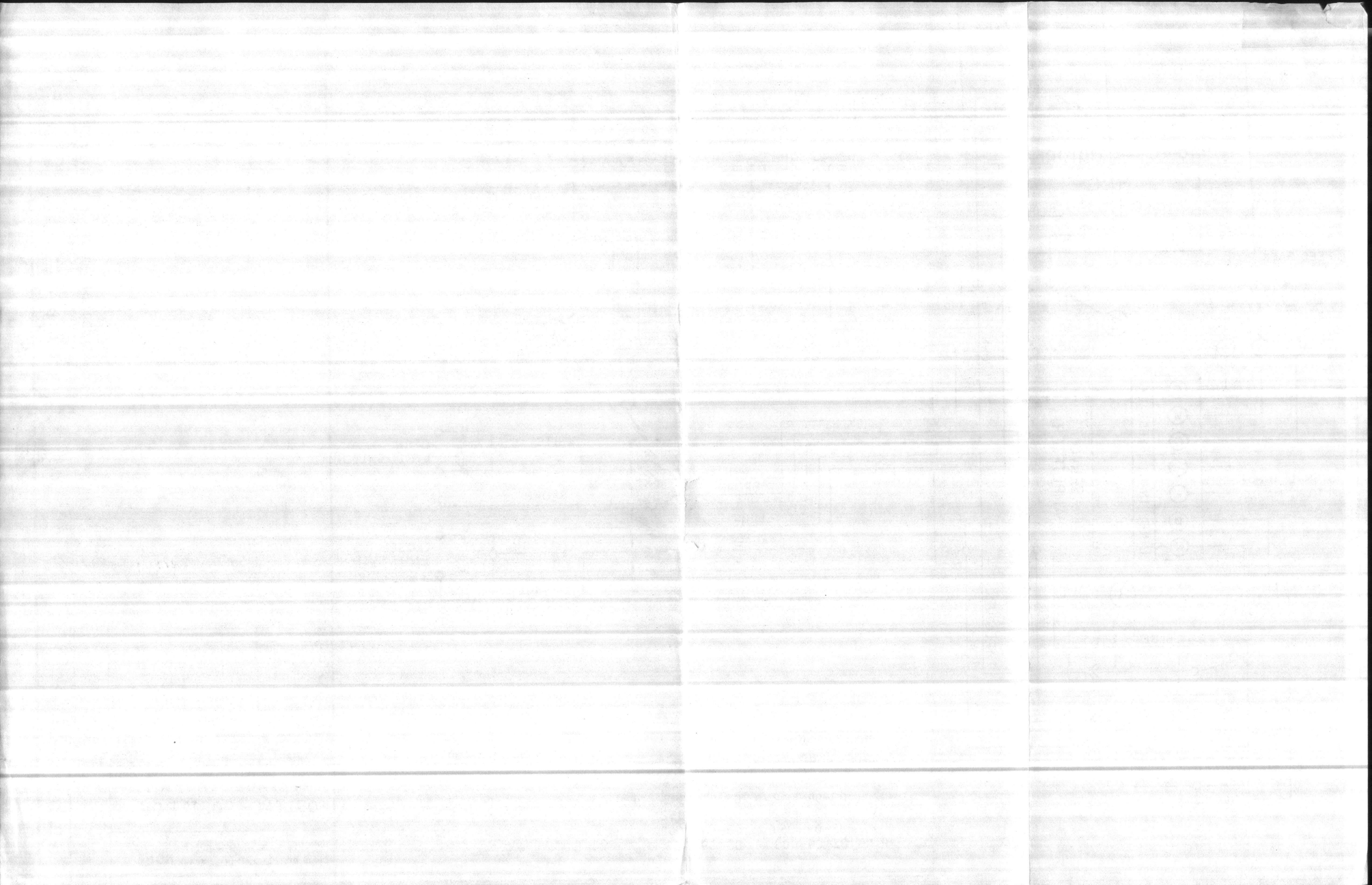
**WIRING DIAGRAM**  
**POSITAC-POSITRON**

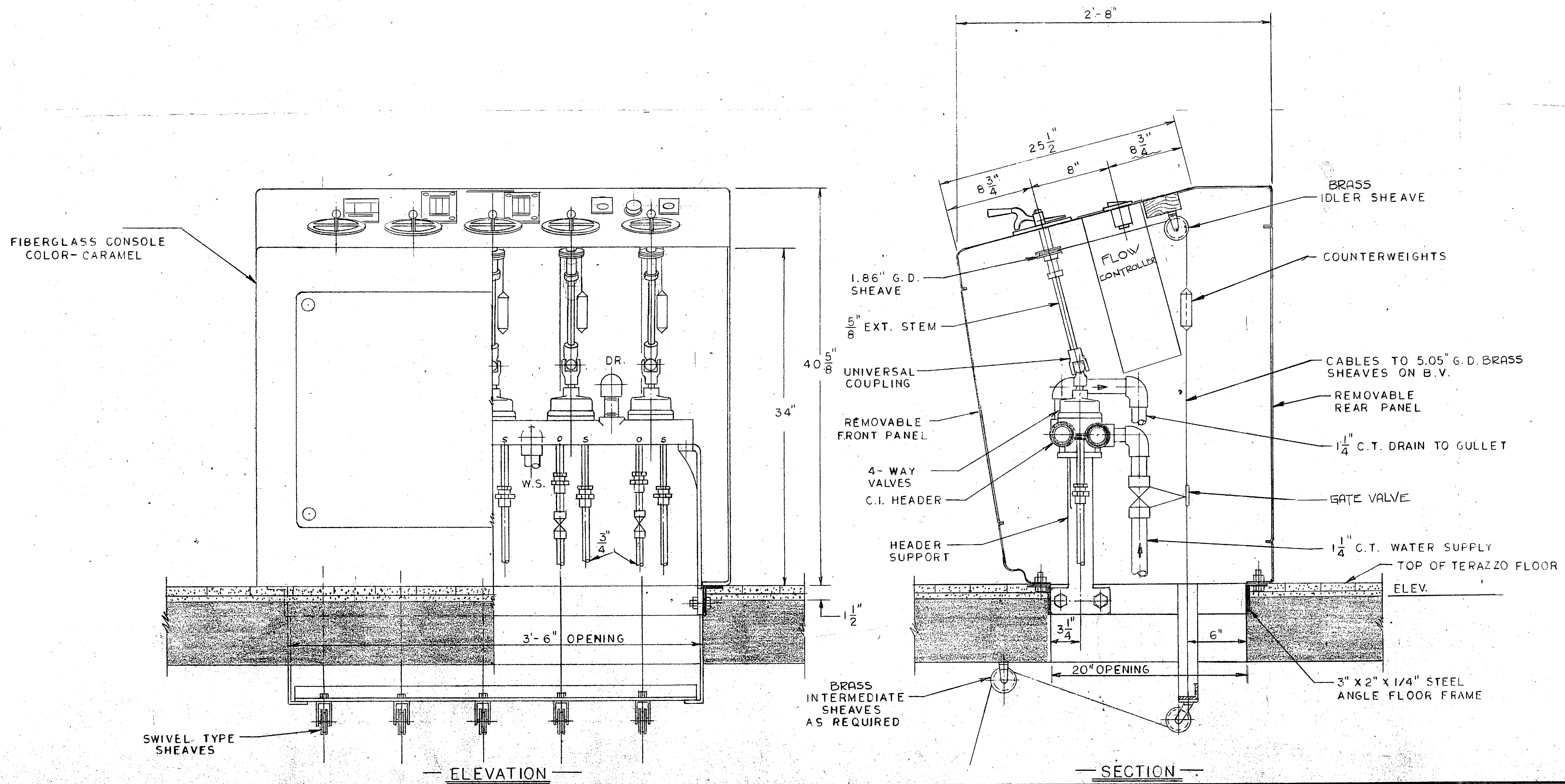
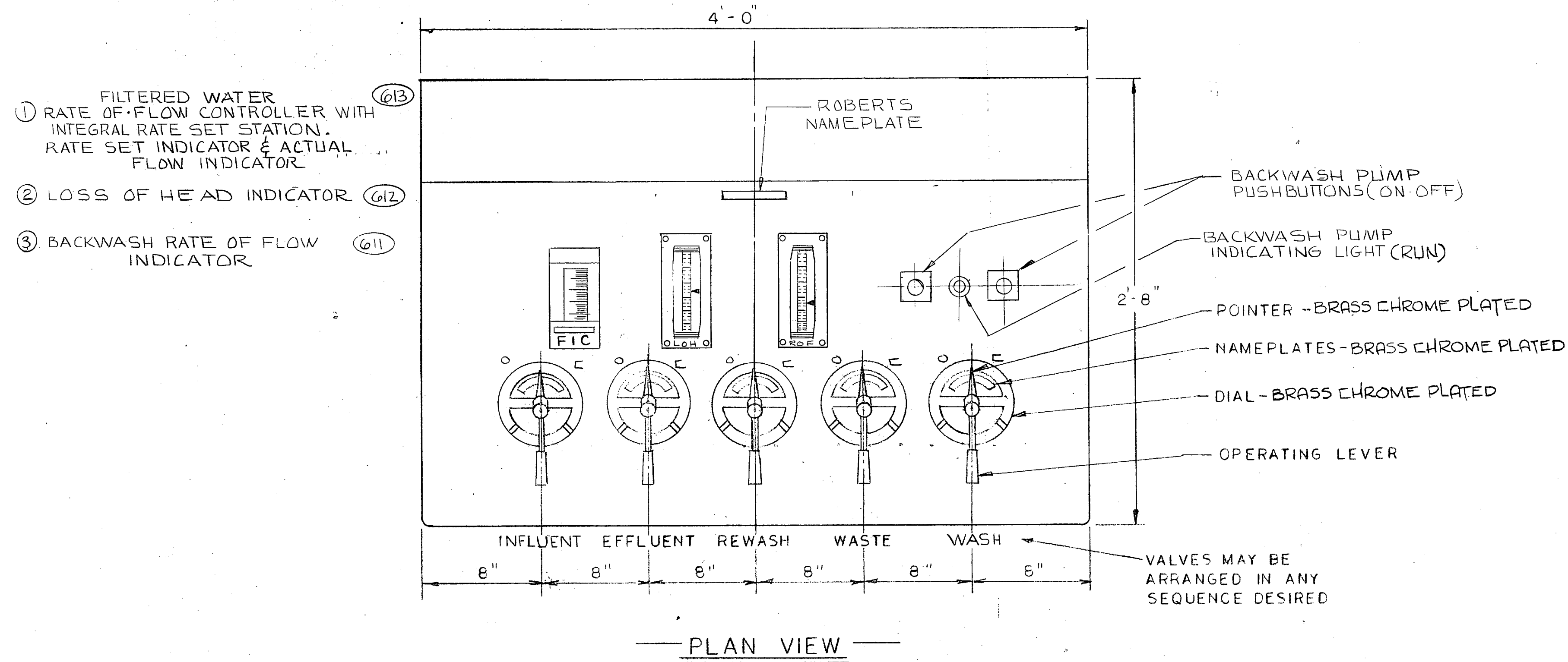
DRN. BY: LN  
 CHKD. BY: *JK*  
 APP: *FM*

DATE: 11-2-84  
 SCALE: NONE

B-12319







ATLANTIC DIVISION  
NAVAL FACILITIES ENGINEERING COMMAND  
NORFOLK, VIRGINIA 23511

APPROVED AS NOTED  
DISAPPROVED

SUBJECT TO THE REQUIREMENTS OF  
**05-82-2552**

CONTRACT NO. APPROVAL OF A SUBMITTAL DOES NOT INCLUDE APPROVAL OF ANY DEVIATION FROM THE CONTRACT REQUIREMENTS UNLESS THE CONTRACTOR CALLS ATTENTION TO AND SUPPORTS THE DEVIATION - THE CONTRACTOR SHALL BE RESPONSIBLE FOR PROVIDING PROPER PHYSICAL DIMENSIONS & WEIGHTS, COORDINATION OF TRADES, ETC., AS REQUIRED

REVIEWER **CCS** DATE **20 DEC 1984**

FOR OFFICER IN CHARGE OF CONSTRUCTION

NO.	REVISION	DATE	BY
LAYOUT-FILTER OPERATING CONSOLE FOR CAMP LE JEUNE, NC.			
<b>ROBERTS</b> FILTER MFG. COMPANY DARBY, PENNSYLVANIA 19023			
DRAWN	DATE	CHECKED	DATE
TRACED	DATE	APPROVED	DATE
SCALE	2" = 1'-0"	CONTRACT	S.O.
SECTION 6	DWG. NO G950-4		



