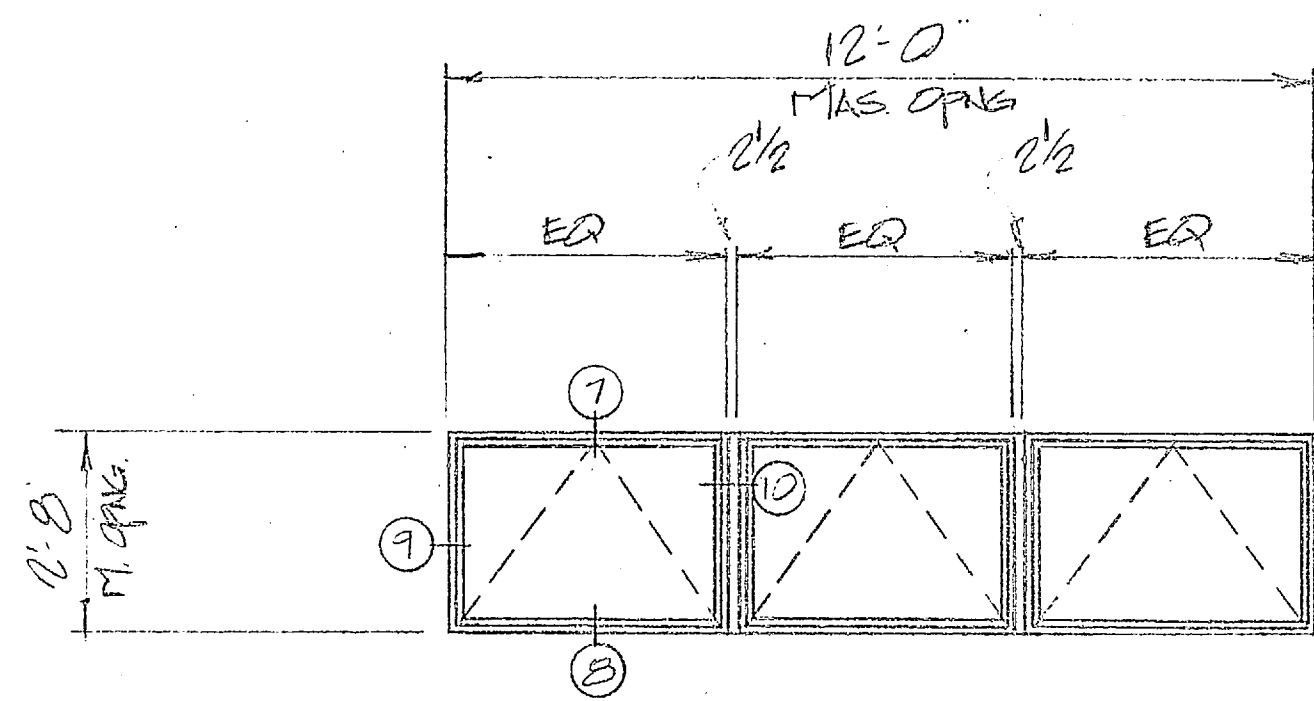
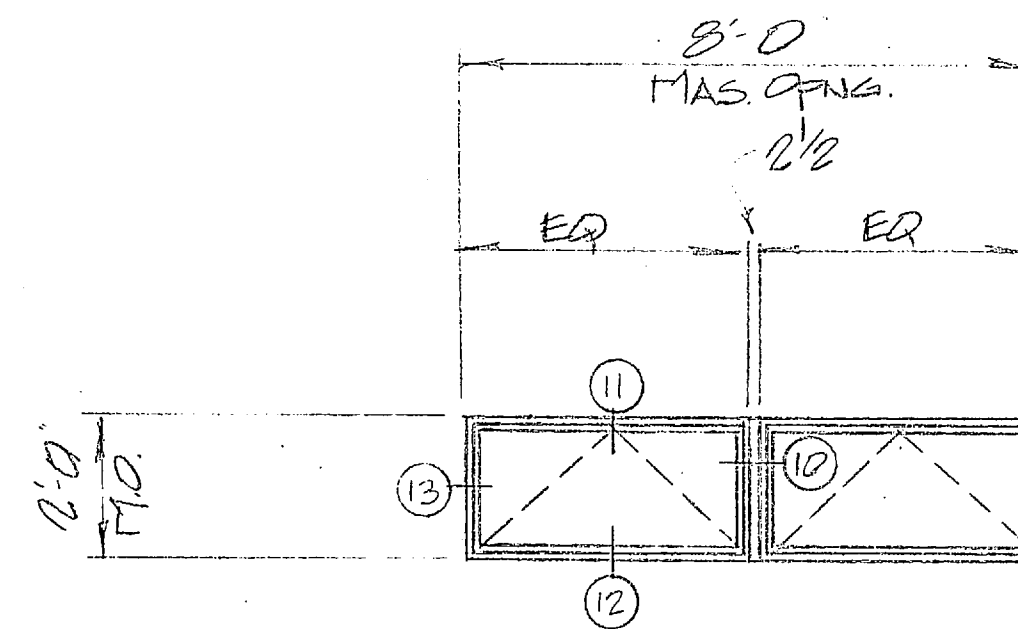


MARK A - 2 OPNGS REQ'D



MARK B - 3 OPNGS REQ'D



MARK C - 5 OPNGS REQ'D

SPECIFICATIONS

- WINDOWS TO BE CATAMBA SERIES P-2200 (P-A2-HP) AS MANUFACTURED BY CATAMBA WINDOW SYSTEMS, INC
- FINISH TO BE CLEANED ETCHED AND CLEAR ANODIZED
- STANDARD HAND CAM HARDWARE
- TRIM AS REQUIRED (FINISHED TO MATCH WINDOWS)



919/872-5939  
**KEN MOSER COMPANY**  
 P.O. BOX 58512  
 RALEIGH, N.C. 27658

PROJECT HOLCOMBE BLVD. WATER TREATMENT PT.			
ARCHITECT			
LOCATION CAMP LEJEUNE, N.C.			
CUSTOMER BINSWANGER GLASS, FAYETTEVILLE			
WINDOW SHOP DRAWINGS	SCALE	DRAWN BY	CHECKED BY
SENT FOR APPROVAL			
DATE	APPROVED BY	JOB NO.	DRAWING NO.
		25-N-93	1 OF 3

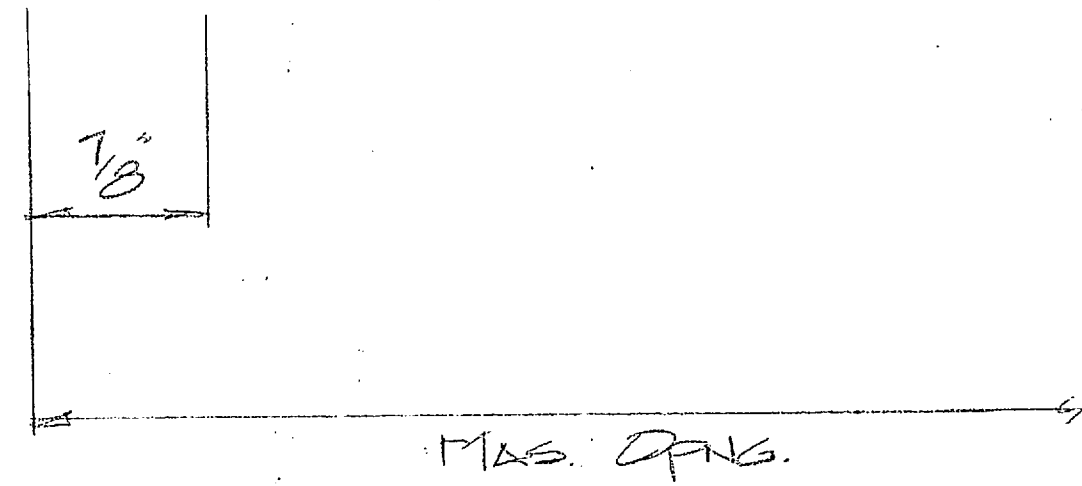
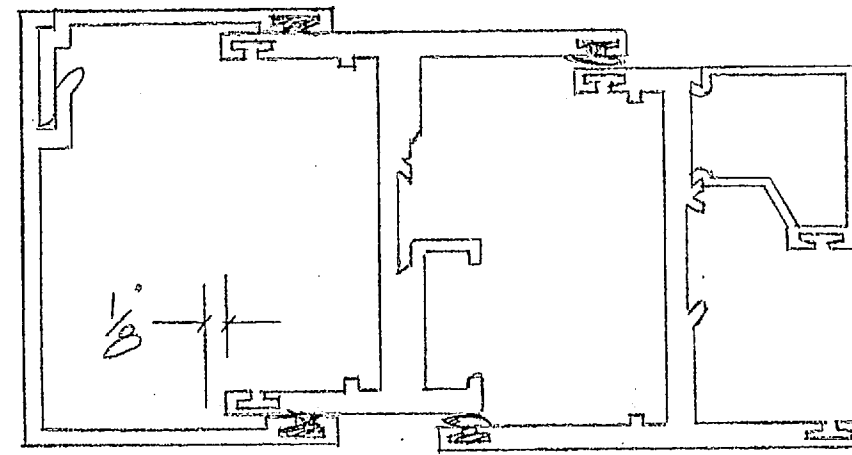




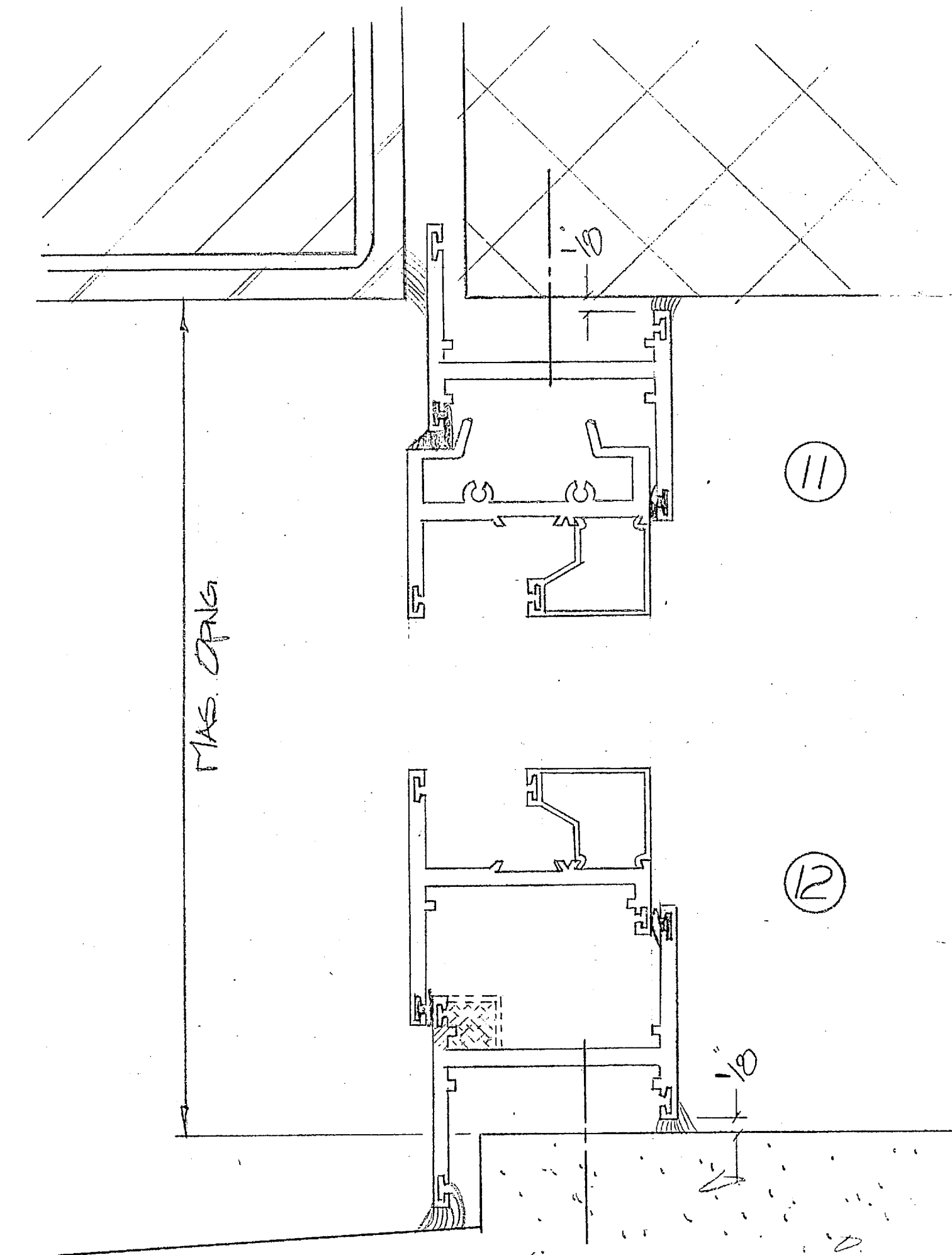
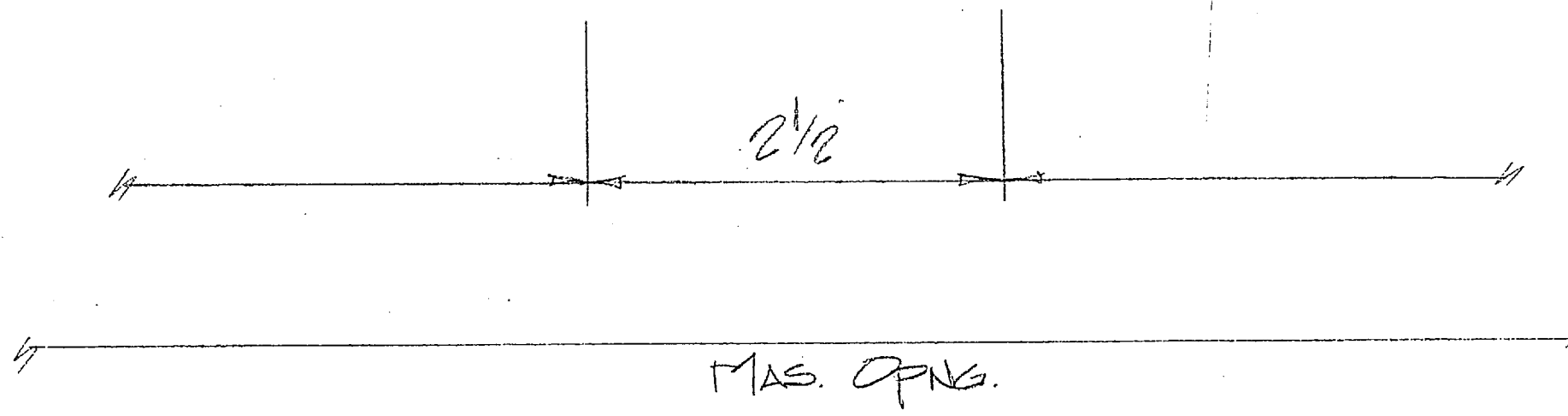
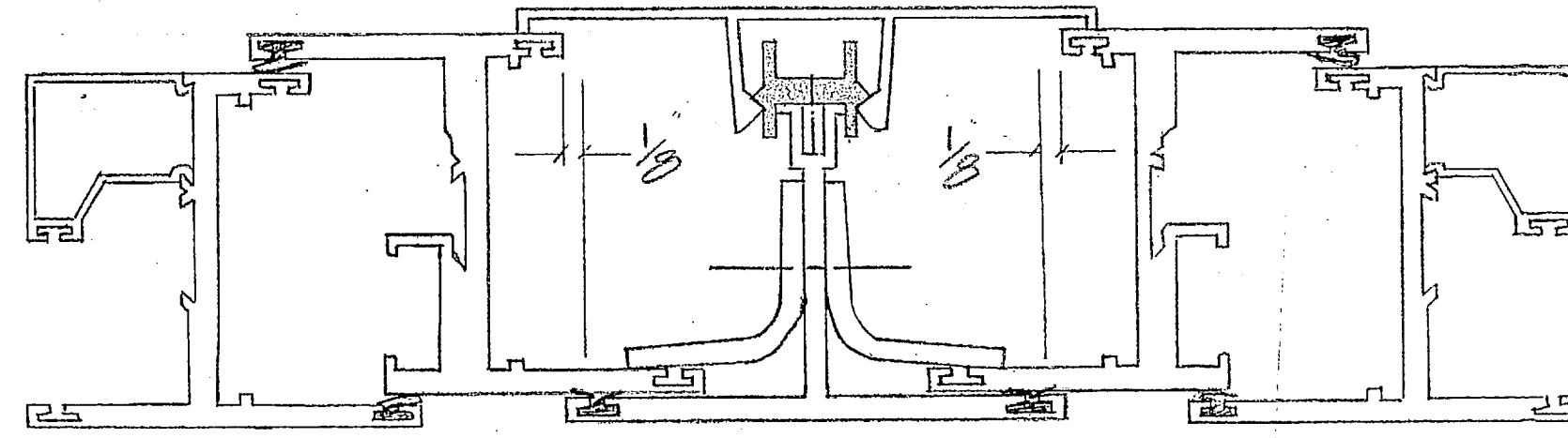


9

CONSTRUCTION SIMILAR TO DETAIL # 7



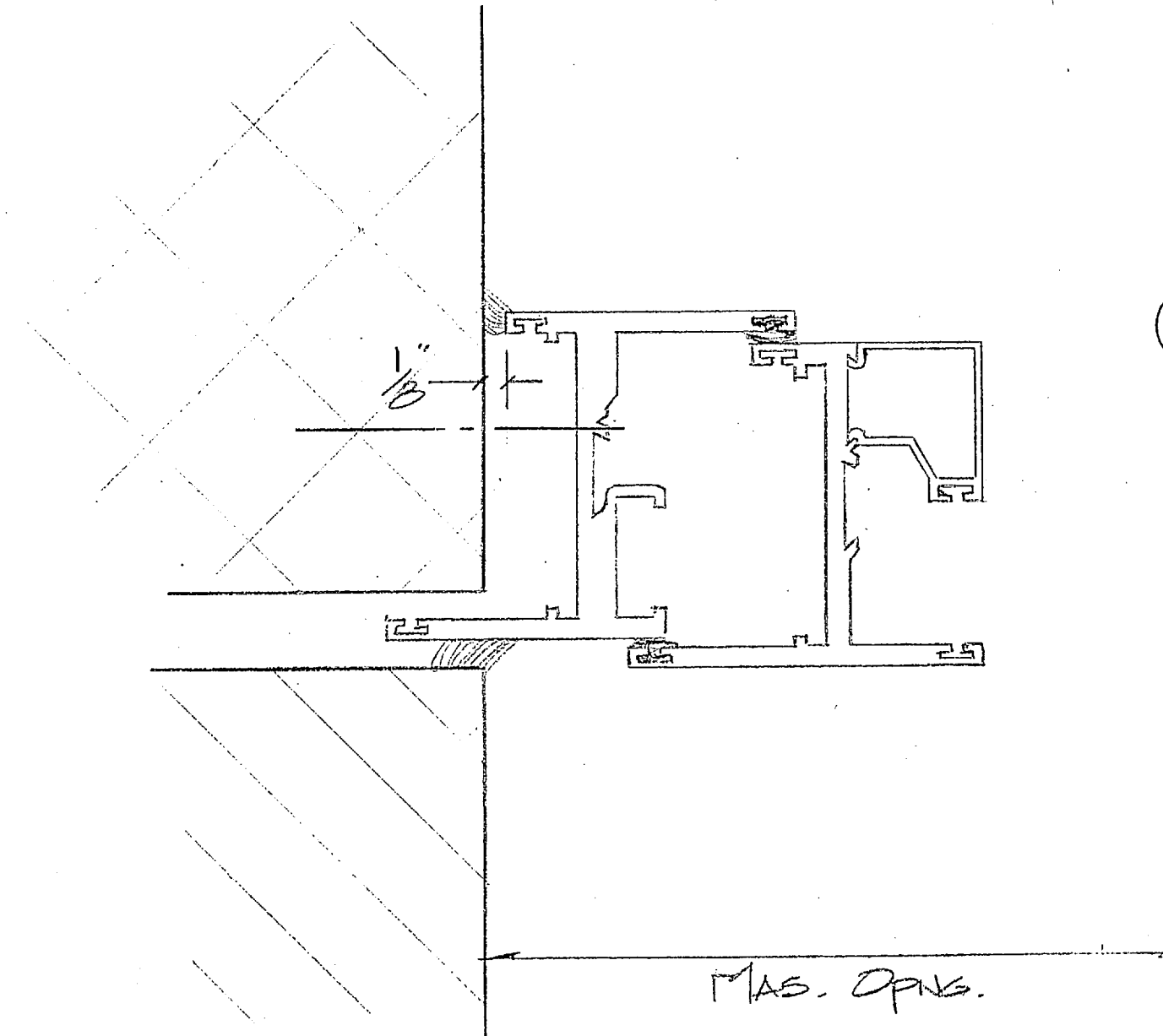
10



11

12

13



919/872-5939  
KEN MOSER COMPANY  
P.O. BOX 58512  
RALEIGH, N.C. 27658

PROJECT <i>HOLCOMBE BLVD. WATER TREATMENT PLT</i>			
ARCHITECT			
LOCATION <i>CAMP LEJEUNE, N.C.</i>			
CUSTOMER <i>BINSWANGER GLASS, FAYETTEVILLE</i>			
WINDOW SHOP DRAWINGS	SCALE <i>FULL</i>	DRAWN BY <i>JS</i>	CHECKED BY
SENT FOR APPROVAL			
DATE	APPROVED BY	JOB NO. <i>05-N-93</i>	DRAWING NO. <i>3 of 3</i>

