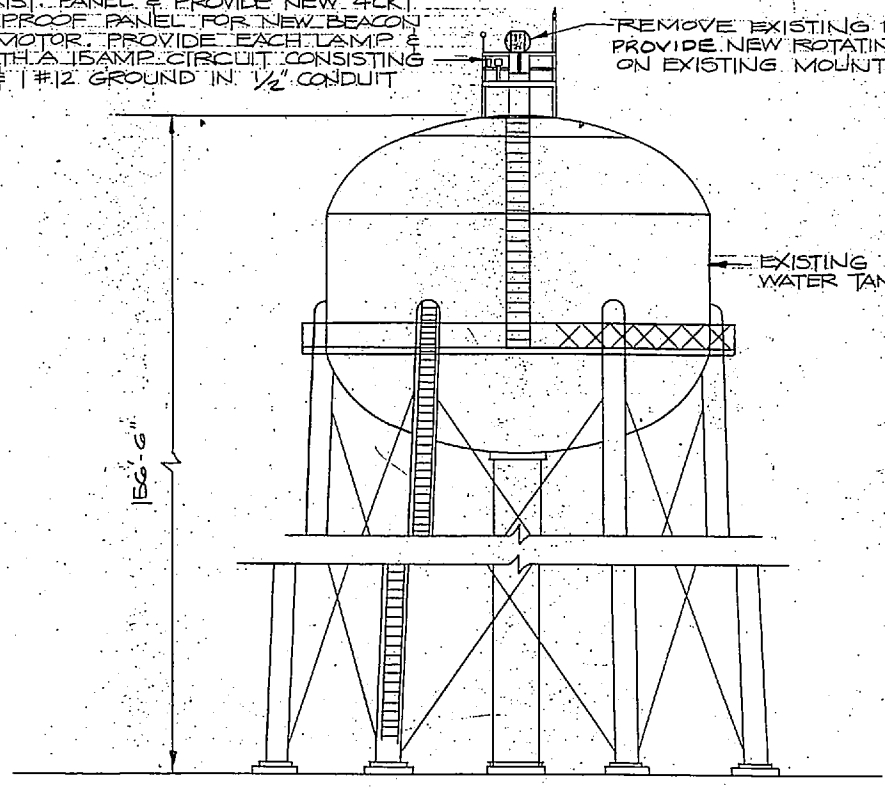


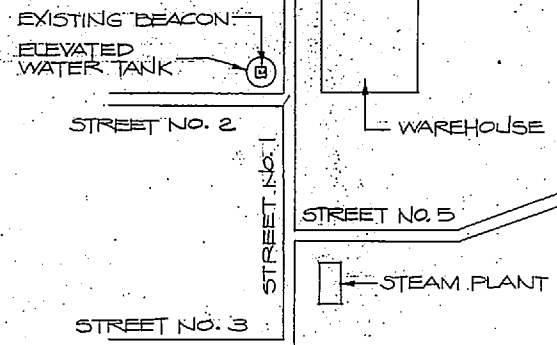
REVISIONS			
SYM.	DESCRIPTION	DATE	APPROVED

REMOVE EXIST. PANEL & PROVIDE NEW 4CKT WEATHER PROOF PANEL FOR NEW BEACON LIGHTS & MOTOR. PROVIDE EACH LAMP & MOTOR WITH A 15AMP CIRCUIT CONSISTING OF 2 #12 & 1 #12 GROUND IN 1/2" CONDUIT

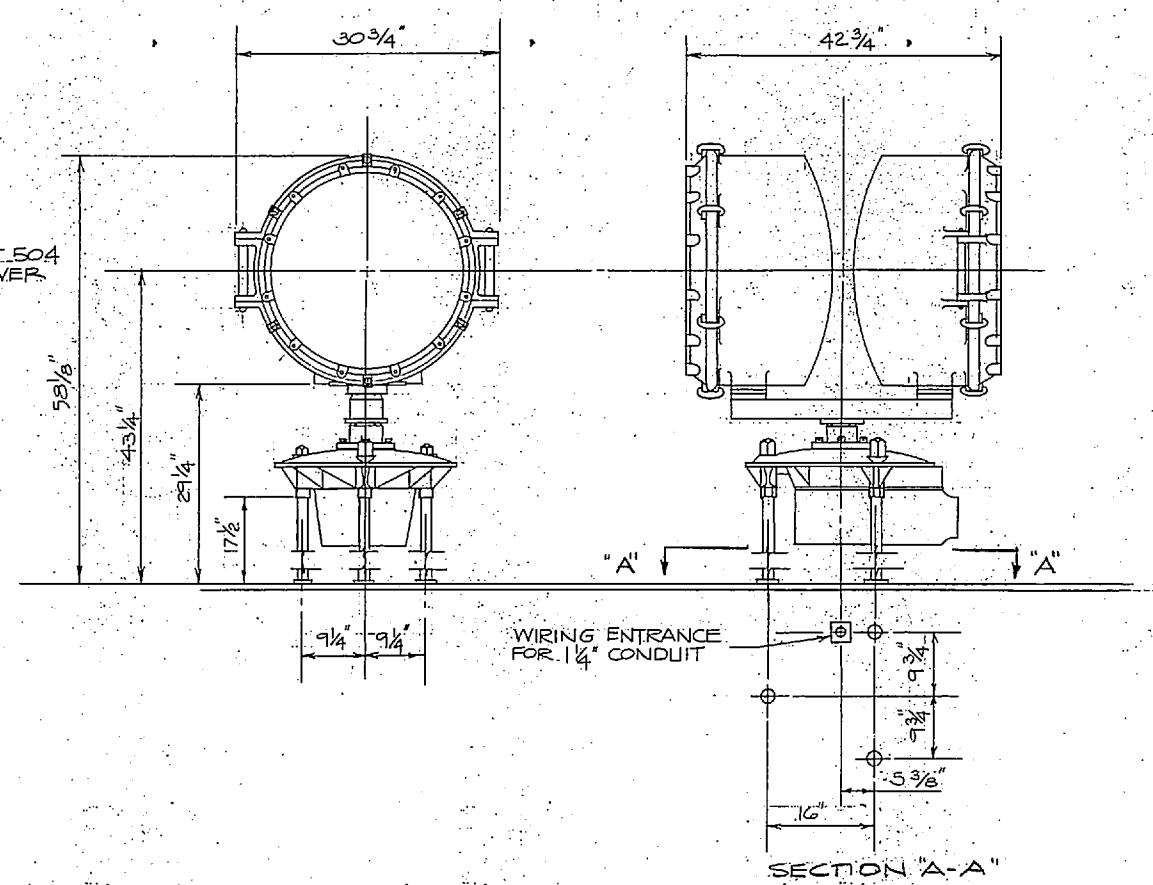
REMOVE EXISTING BEACON & PROVIDE NEW ROTATING BEACON ON EXISTING MOUNTING PLATFORM



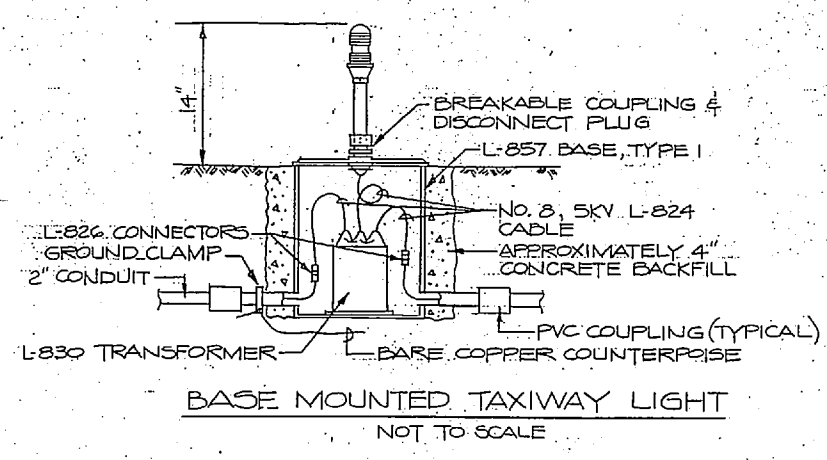
WATER TANK ELEVATION
SCALE: 2/32 = 1'-0"



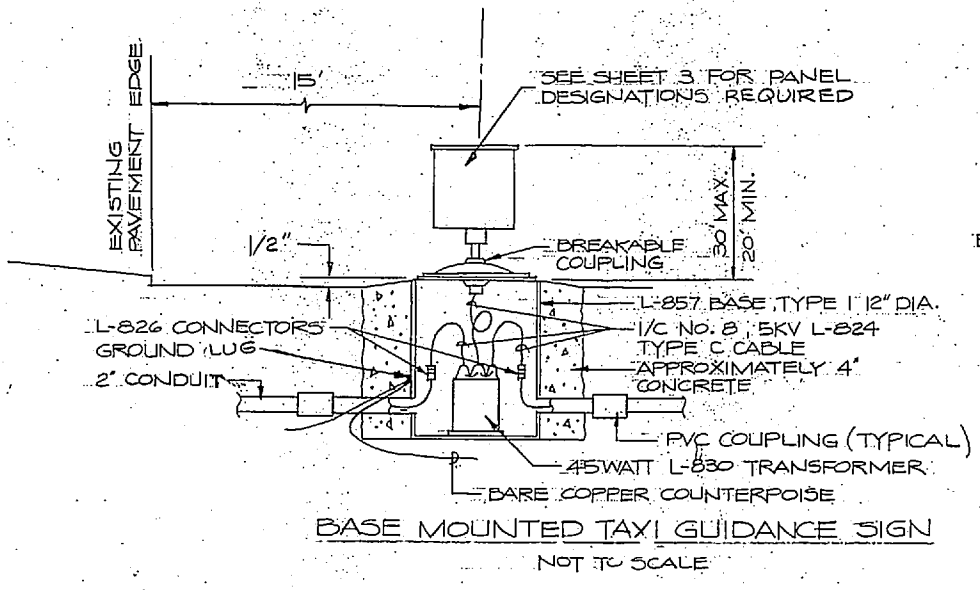
BEACON LOCATION DETAIL
SCALE 1" = 200'



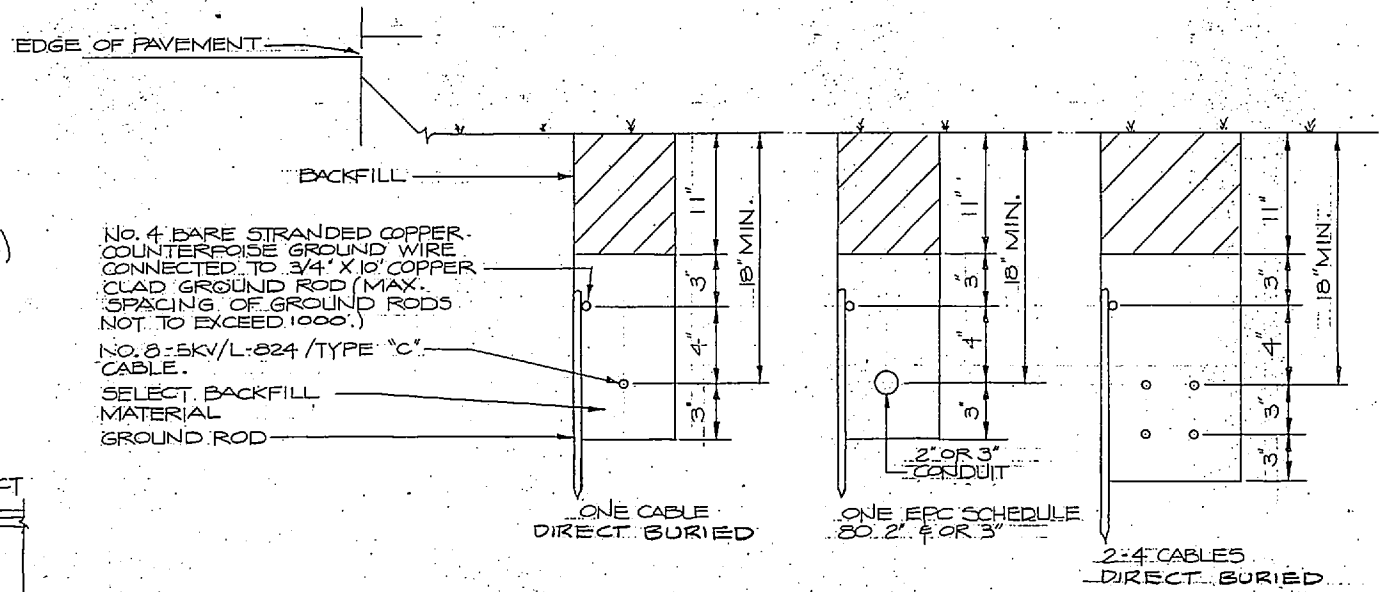
ROTATING BEACON & INSTALLATION DETAIL
NOT TO SCALE



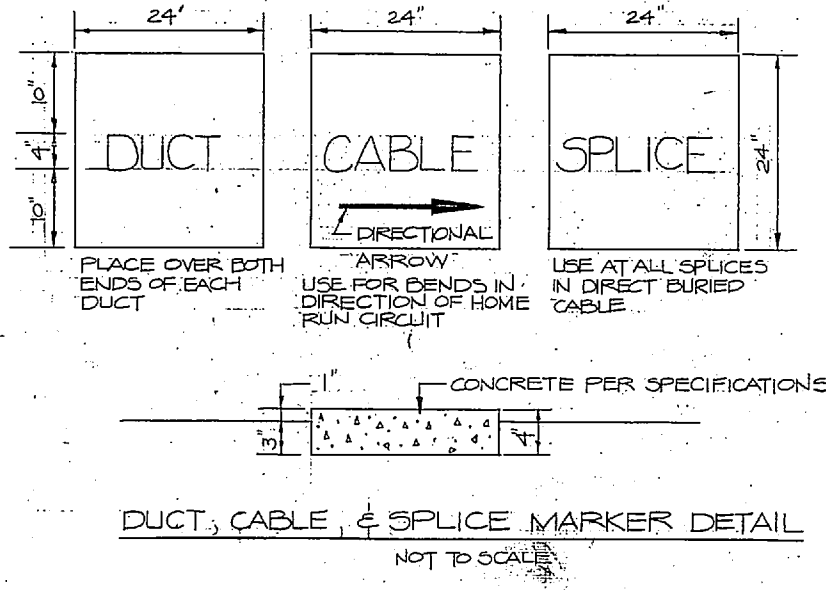
BASE MOUNTED TAXIWAY LIGHT
NOT TO SCALE



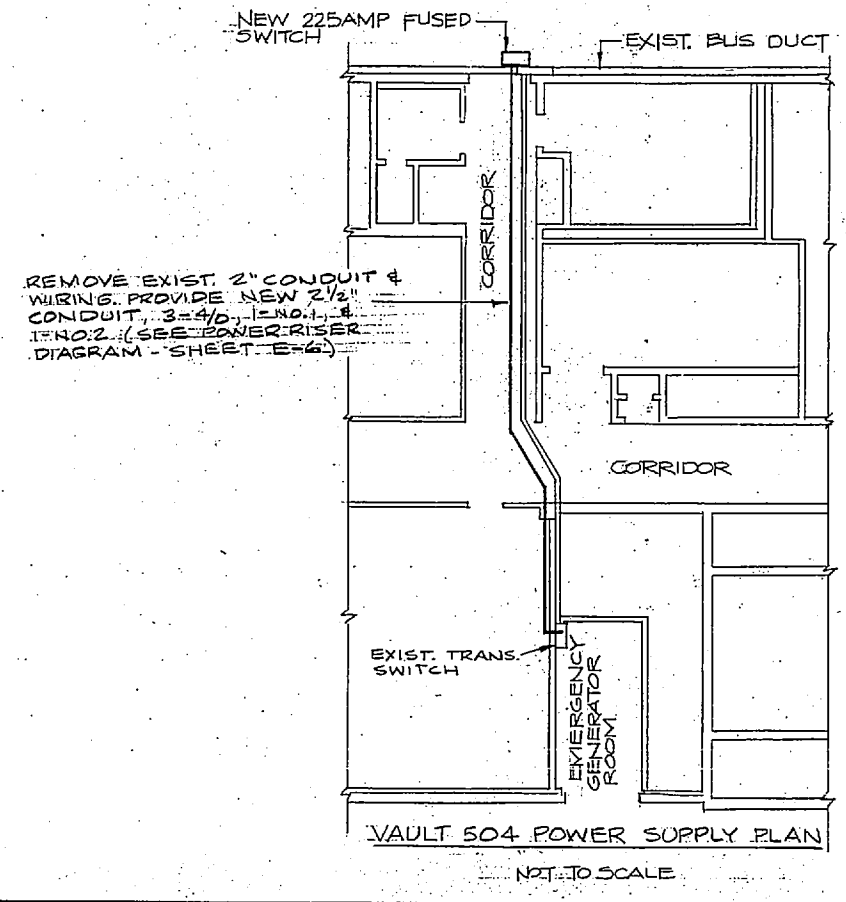
BASE MOUNTED TAXIWAY GUIDANCE SIGN
NOT TO SCALE



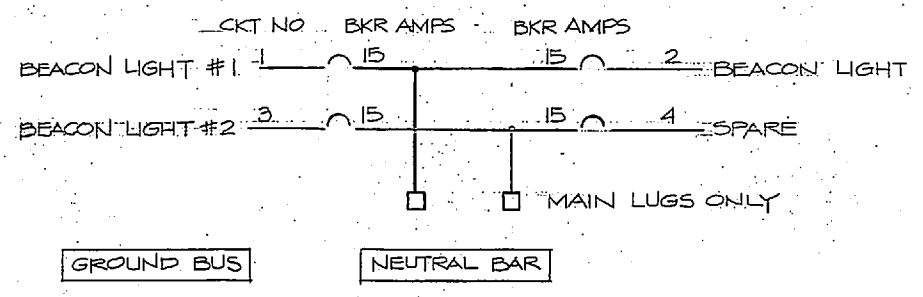
TRENCH DETAIL
NOT TO SCALE



DUCT, CABLE, & SPLICE MARKER DETAIL
NOT TO SCALE



VAULT 504 POWER SUPPLY PLAN
NOT TO SCALE



NEW BEACON POWER PANEL
NOT TO SCALE

WEATHERPROOF, 120/240V, 1 φ, 3 WIRE W/ 60AMP MAINS; 10,000AMP 1C SYMMETRICAL

RECORD DRAWING LETTER DATED 12 AUG 1983		E-10	
TALBERT, COX & ASSOC., INC. 916 S. 17th Street WILMINGTON, N.C. 28401		DEPARTMENT OF THE NAVY NAVAL FACILITIES ENGINEERING COMMAND ATLANTIC DIVISION NAVY STATION NORFOLK, VIRGINIA	
DES. ODA DR. RST [Signature] PROJ. MGR. [Signature] CH. ENGR. WTS SUBMITTED BY: [Signature] DATE: 8/28/83 FIRM MEMBER: [Signature] FIRM NO.: [Signature] EFD. FP. [Signature] RVD [Signature] No. 54 DIR. [Signature]		MARINE CORPS AIR STATION (H) NEW RIVER, CAMP LEJEUNE, N.C. REPAIRS TO AIRFIELD LIGHTING LIGHTING DETAILS	
APPROVED: [Signature] OFFICER IN CHARGE	DATE: [Signature]	SIZE: F CODE IDENT. NO.: 80091	NAVFAC DRAWING NO.: 4075589
FOR EFD FOR COMMANDER, NAVFAC		SCALE: [Signature]	CONSTR. CONTR. NO. N62470-80-25-0400 SHEET 10 OF 10

