

| NO. | NAME OF PART | MATERIAL | SPECIFICATION |
|-----|--------------------------|-----------------------|------------------------|
| 60 | CYLINDER | BRONZE TUBING (HONED) | A.S.T.M. B-132-B2 |
| 61 | CYLINDER STAND POSTS | STEEL | A.I.S.I. C-1144 |
| 62 | CYLINDER STAND POST NUTS | STEEL | COMMERCIAL |
| 63 | BONNET ADAPTER FLANGE | STEEL | A.I.S.I. C-1018 |
| 64 | BONNET ADAPTER NUT | STEEL | A.I.S.I. C-1018 |
| 66 | COUPLING | STEEL | SQUARE A.I.S.I. C-1018 |
| 67 | COUPLING SET SCREW | STEEL | COMMERCIAL |
| 68 | YOKE PAD ADAPTER FLG. | STEEL | A.I.S.I. C-1018 |
| 69 | YOKE PAD BOLT STUDS | STEEL | COMMERCIAL |
| 70 | IDENTIFICATION PLATE | ZINC | |

25 POUND IRON BODY DOUBLE DISC GATE VALVES

| SIZE | K | Y | BA | BB | BC | BA | BB | BC | BA | BB | BC | BA | BB | BC |
|------|-------|-------|----|----------|-------|----|---------|-------|----|---------|----------|-----|------|------|
| 10 | 1 1/8 | 5 3/8 | 4 | 6 1/4 | 4 1/2 | 5 | 6 1/2 | 5 1/2 | 6 | 6 3/4 | 6 1/2 | | | |
| 12 | 1 1/8 | 5 3/8 | 5 | 6 8 1/2 | 5 1/2 | 6 | 6 9 1/2 | 6 1/2 | 8 | 7 0 | 8 1/2 | | | |
| 14 | 1 1/4 | 5 3/8 | 5 | 7 1 1/2 | 5 1/2 | 6 | 7 8 1/2 | 6 1/2 | 8 | 7 9 | 8 1/2 | | | |
| 16 | 1 1/4 | 5 3/8 | 5 | 8 4 1/2 | 5 1/2 | 6 | 8 5 1/2 | 6 1/2 | 8 | 8 8 1/2 | 10 | 8 8 | 10 8 | 10 8 |
| 18 | 1 1/2 | 6 3/8 | 6 | 9 5 1/2 | 6 1/2 | 8 | 9 5 1/2 | 8 1/2 | 10 | 9 1 | 10 5 1/2 | | | |
| 20 | 1 3/8 | 6 3/8 | 6 | 10 2 1/2 | 6 1/2 | 8 | 10 3 | 8 1/2 | 10 | 10 5 | 10 8 | | | |
| 24 | 1 3/4 | 7 3/8 | 8 | 11 8 1/2 | 8 1/2 | 10 | 12 0 | 10 8 | 12 | 12 | 12 3/4 | | | |

FOR NAME OF VALVE PARTS AND DIMENSIONS NOT LISTED SEE GENERAL ASSEMBLIES LISTED BELOW

| CAT. NO. | SIZES | GENERAL ASSEMBLY |
|----------|----------|------------------|
| 793 1/2 | 10 TO 24 | K-507 |
| 793 1/2 | 10 TO 24 | DR-27240 |

500 POUND W.O.G. FERROSTEEL DOUBLE DISC GATE VALVES

| SIZE | K | Y | BA | BB | BC | BA | BB | BC | BA | BB | BC | BA | BB | BC |
|------|-------|-------|----|---------|--------|----|---------|----------|----|---------|--------|----|----|----|
| 3 | 1 | 4 7/8 | 5 | 3 5/4 | 3 1/2 | 6 | 3 6 1/2 | 6 1/2 | 8 | 3 6 1/2 | 8 1/2 | | | |
| 4 | 1 1/8 | 5 3/8 | 6 | 3 7 1/2 | 6 1/2 | 8 | 3 8 | 8 1/2 | | | | | | |
| 6 | 1 3/8 | 6 3/8 | 8 | 4 7 1/2 | 8 1/2 | 10 | 4 5 1/2 | 10 5 1/2 | | | | | | |
| 8 | 1 3/8 | 7 3/8 | 10 | 6 0 | 10 3/8 | 12 | 6 0 1/2 | 12 3/4 | 14 | 6 3 1/2 | 14 3/4 | | | |

FOR NAME OF VALVE PARTS AND DIMENSIONS NOT LISTED SEE GENERAL ASSEMBLIES LISTED BELOW

| CAT. NO. | SIZES | GENERAL ASSEMBLY |
|----------|--------|------------------|
| 343 E | 3 TO 8 | K-768 |
| 343 E | 6 TO 8 | DR-27243 |

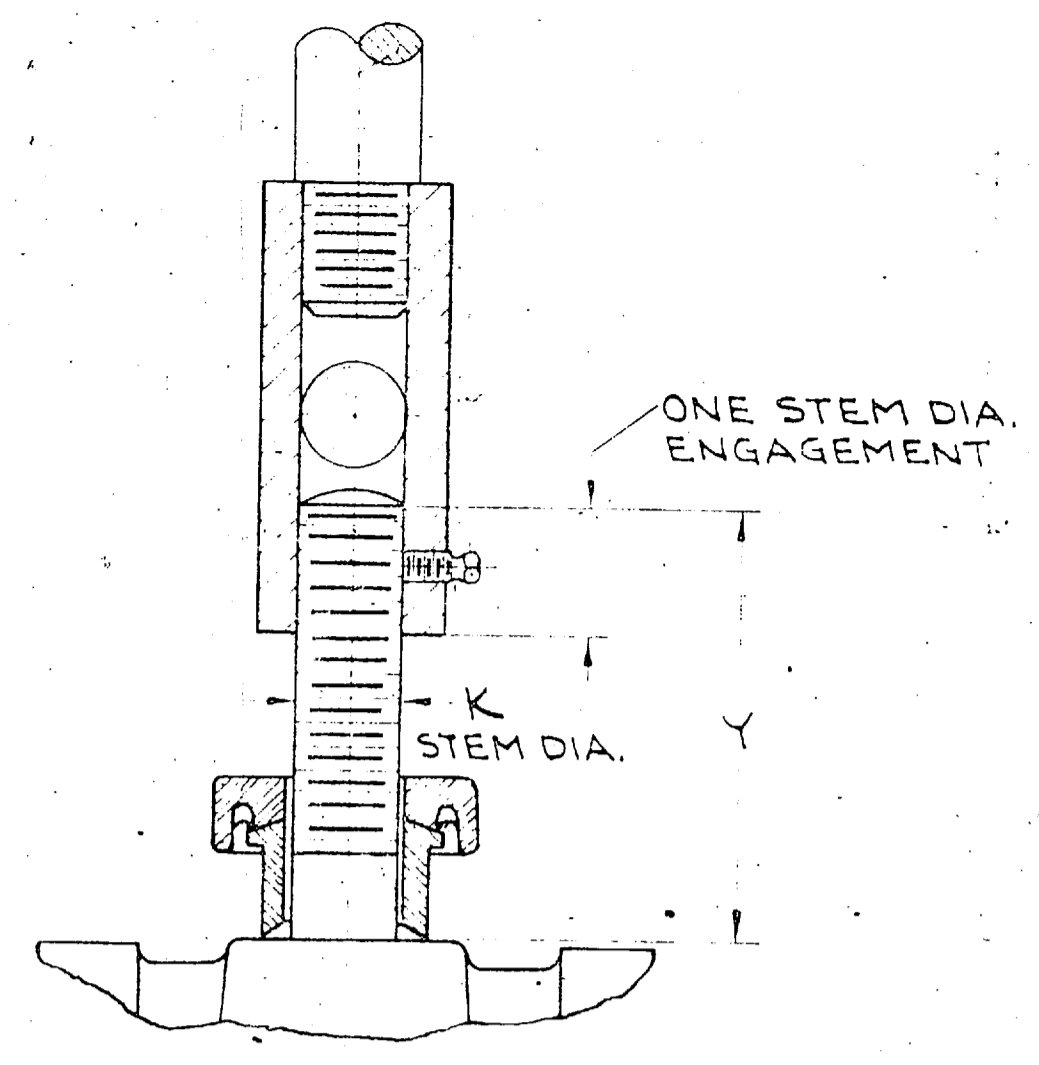
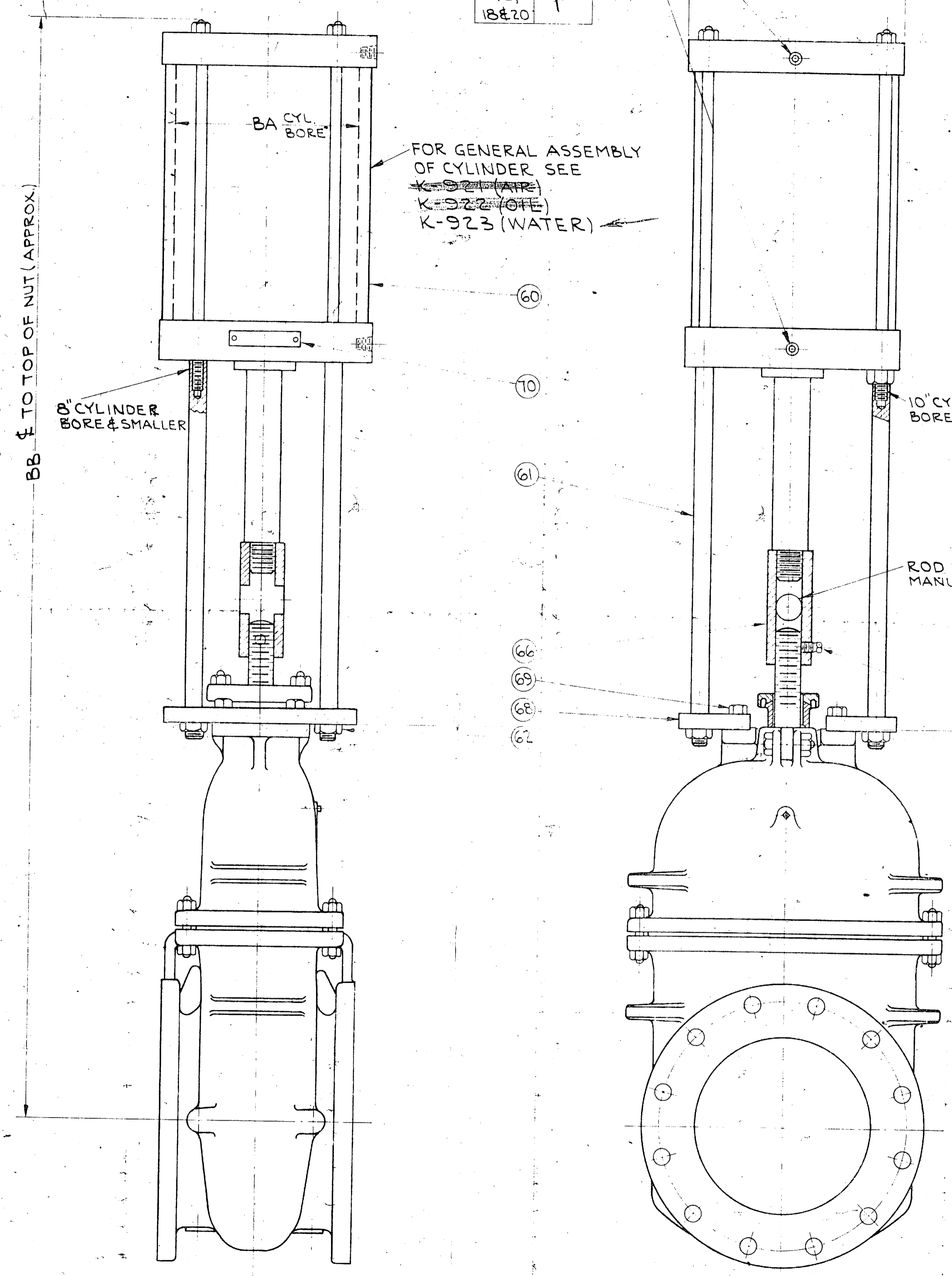
200 POUND W.O.G. IRON BODY DOUBLE DISC GATE VALVES

| SIZE | K | Y | BA | BB | BC | BA | BB | BC | BA | BB | BC | BA | BB | BC |
|-------|-------|--------|----|----------|----------|----|----------|----------|----|----------|----------|----|----------|--------|
| 2 | 3/4 | | 4 | 2 8 | 4 1/2 | 5 | 2 8 1/2 | 5 1/2 | | | | | | |
| 2 1/2 | 3/4 | | 4 | 2 9 1/2 | 4 1/2 | 5 | 2 9 1/2 | 5 1/2 | | | | | | |
| 3 | 7/8 | | 4 | 3 3 1/2 | 4 1/2 | 5 | 3 3 1/2 | 5 1/2 | | | | | | |
| 4 | 1 | | 4 | 3 8 1/2 | 4 1/2 | 5 | 3 8 | 5 1/2 | 6 | 4 0 1/2 | 6 1/2 | | | |
| 6 | 1 1/8 | 5 3/8 | 5 | 4 3 1/2 | 5 1/2 | 6 | 4 4 1/2 | 6 1/2 | 8 | 4 5 | 8 1/2 | | | |
| 8 | 1 3/8 | 6 3/8 | 5 | 5 4 1/2 | 5 1/2 | 6 | 5 5 1/2 | 6 1/2 | 8 | 5 5 1/2 | 8 1/2 | 10 | 5 7 1/2 | 10 3/8 |
| 10 | 1 3/8 | 6 3/8 | 6 | 6 6 1/2 | 6 1/2 | 8 | 6 6 1/2 | 8 1/2 | 10 | 6 8 1/2 | 10 5 1/2 | 12 | 6 9 1/2 | 12 3/4 |
| 12 | 1 3/8 | 6 3/8 | 8 | 7 3 1/2 | 8 1/2 | 10 | 7 5 1/2 | 10 5 1/2 | 12 | 7 6 1/2 | 12 3/4 | | | |
| 14 | 1 3/4 | 7 3/8 | 8 | 8 2 1/2 | 8 1/2 | 10 | 8 4 1/2 | 10 5 1/2 | 12 | 8 5 1/2 | 12 3/4 | | | |
| 16 | 2 1/8 | 9 3/8 | 10 | 9 4 1/2 | 10 5 1/2 | 12 | 9 5 1/2 | 12 3/4 | 14 | 9 8 | 14 3/4 | | | |
| 18 | 2 1/8 | 9 3/8 | 12 | 10 2 1/2 | 12 3/4 | 14 | 10 5 | 14 3/4 | 16 | 10 2 | 17 | | | |
| 20 | 2 1/4 | 9 3/8 | 14 | 11 2 1/2 | 14 3/4 | 16 | 11 0 | 17 | 18 | 11 1/2 | 19 | | | |
| 24 | 2 1/2 | 10 3/4 | 14 | 13 1 1/2 | 14 3/4 | 16 | 12 8 1/2 | 17 | 18 | 12 8 1/2 | 19 | 20 | 13 0 1/2 | 21 |

FOR NAME OF VALVE PARTS AND DIMENSIONS NOT LISTED SEE GENERAL ASSEMBLIES LISTED BELOW

| CAT. NO. | SIZES | GENERAL ASSEMBLY |
|----------|----------|------------------|
| 483 | 2 TO 24 | K-742 |
| 483 | 12 TO 24 | DR-28338 |
| 1083 | 2 TO 12 | K-746 |

| CYLINDER SIZE | PIPE TAP SIZE |
|---------------|---------------|
| 4 & 5 | 1/2 |
| 6 & 8 | 3/4 |
| 10 & 12 | 1 |
| 14 | 1 1/4 |
| 16, 18 & 20 | 1 |



S.O. 1396-68 DATE
 THIS DRAWING IS FOR APPROVAL
 RETURN ONE PRINT IMMEDIATELY
 TO AVOID DELAY IN FABRICATION
 CERTIFIED CONSTRUCTION DRAWING
 FOR YOUR ORDER NO.
878-3
J. J. Haussner

PRESSURE FILTER
ROTARY WASH INLET
 55-75-005

DRAWN J.W.
 CHECKED J.W.
 EXAMINED: *John Paulding*
 NOTED
 APPROVED: *J. Co. Taylor*

CYLINDER OPERATED IRON BODY DOUBLE DISC GATE VALVE
 RISING STEM
 FLANGED & SCREWED ENDS
 GENERAL ASSEMBLY ALL CAT. NOS.

CRANE CO.
 SCALE: *as* DATE: 7-23-55
 DRAWING NO. **DR-29270-C**

NOTE: WHEN REFERRING TO DRAWING NUMBER, ALWAYS GIVE LAST LETTER CHANGE

STANDARD & BROWN, CHICAGO 63 IN. T. C.

DR-29270

DIMENSIONS ARE IN INCHES UNLESS OTHERWISE SPECIFIED

© EP 711,227
 VX-4206-B

© CAT. 718 & 482 DISC IN ALL SIZES, CAT. 483 & 1083 DISC IN 8 SIZE, CAT. 343 E DISC. 2 1/2, 10 & 12 SIZES 3 & 6

© E.P. 710,864
 VX-4206-B

