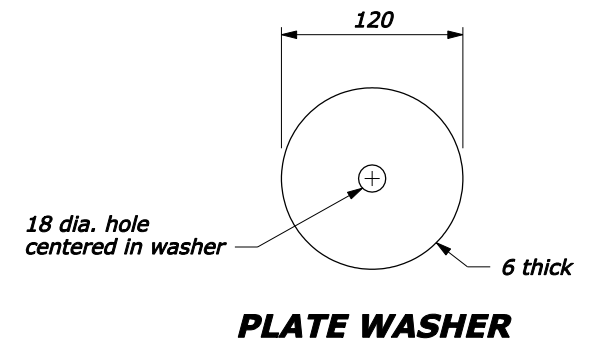
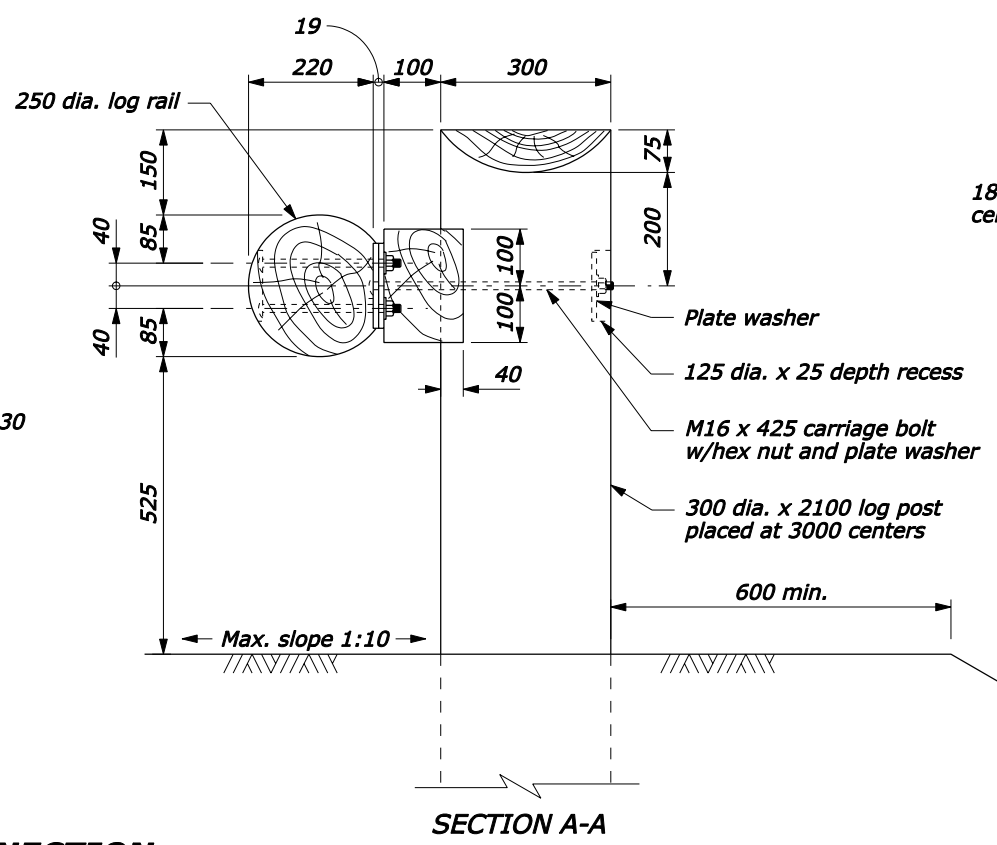
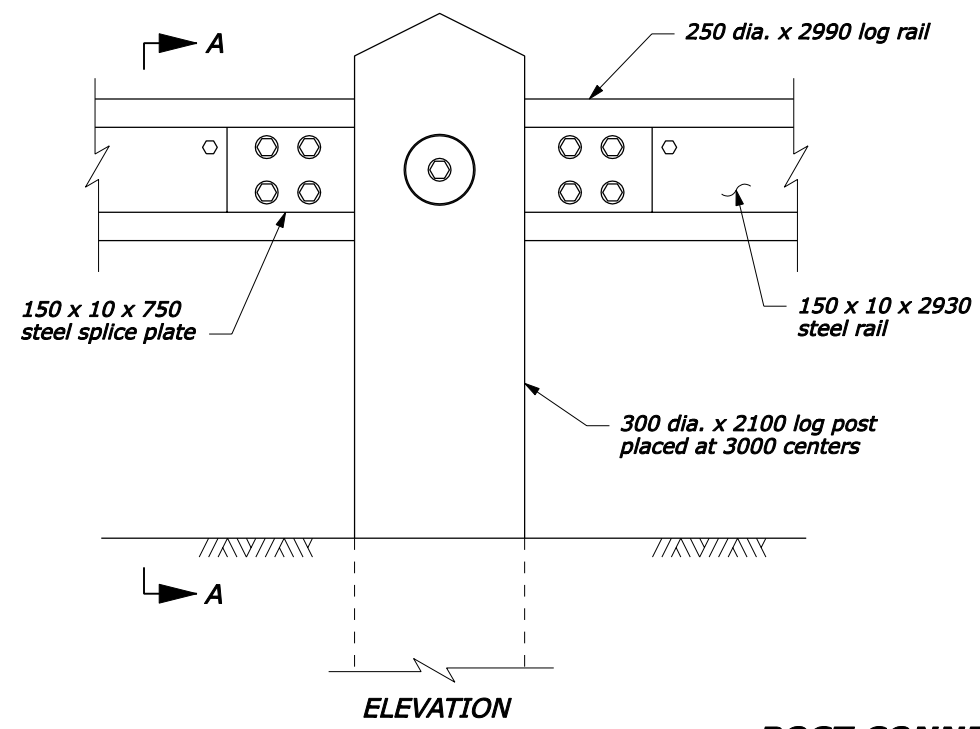
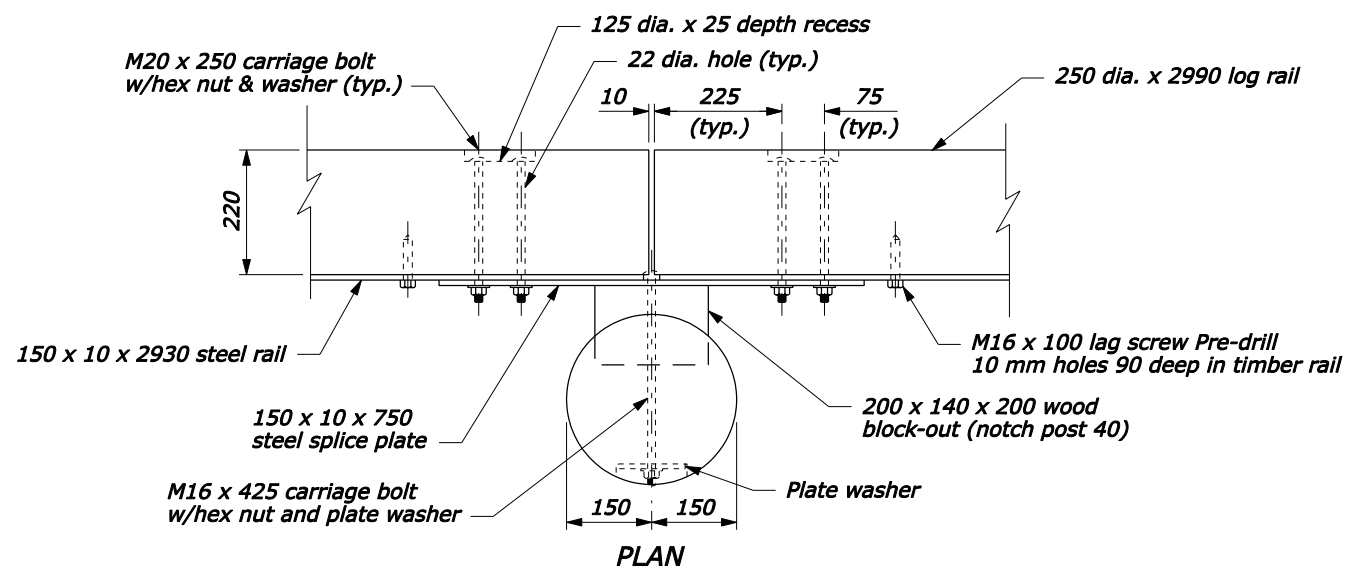


- NOTE:**
1. For details of the wood block-out, post notch, and general notes for Steel-Backed Log Guardrail. See Standard M617-81.
 2. Furnish hardware in the metric sizes shown. Equivalent US Customary sizes may be used when metric sizes are not available.
 3. Dimensions without units are millimeters.



U.S. DEPARTMENT OF TRANSPORTATION
FEDERAL HIGHWAY ADMINISTRATION
FEDERAL LANDS HIGHWAY

METRIC STANDARD

STEEL-BACKED LOG RAIL

STANDARD APPROVED FOR USE 3/1996
REVISED: 6/2005

STANDARD
M617-80

NO SCALE

16-Jun-2005 03:09 PM F:\StandDraw\std61780.dgn [Metric]