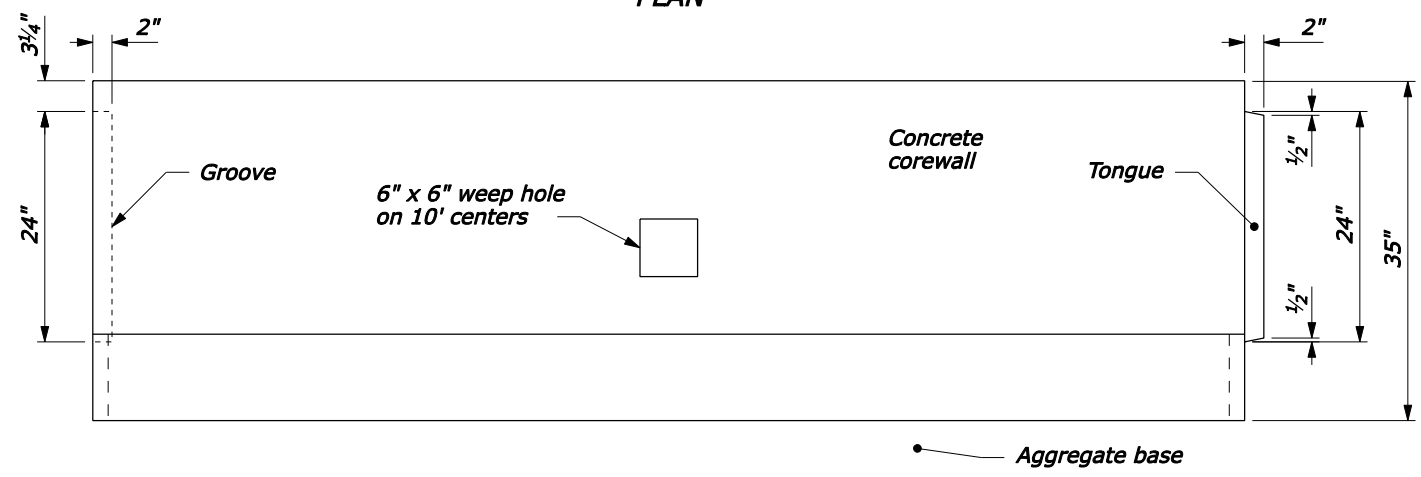
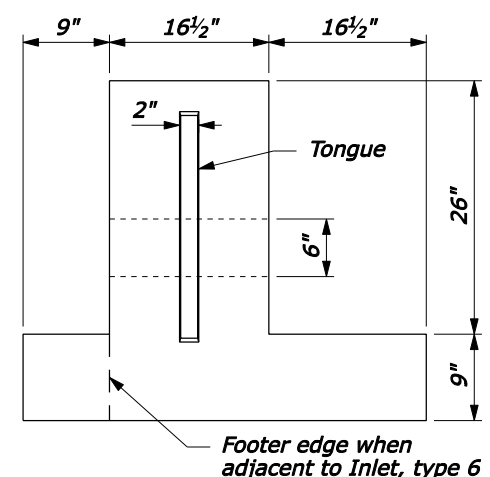


PLAN



ELEVATION

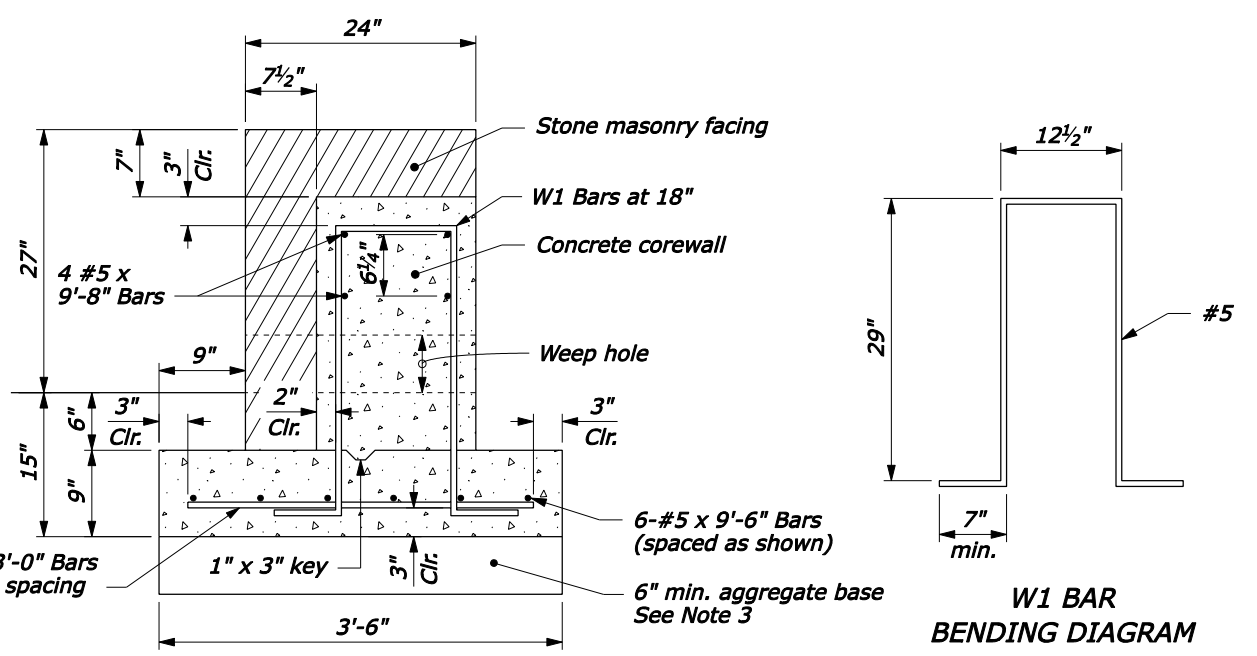
PRECAST CONCRETE COREWALL



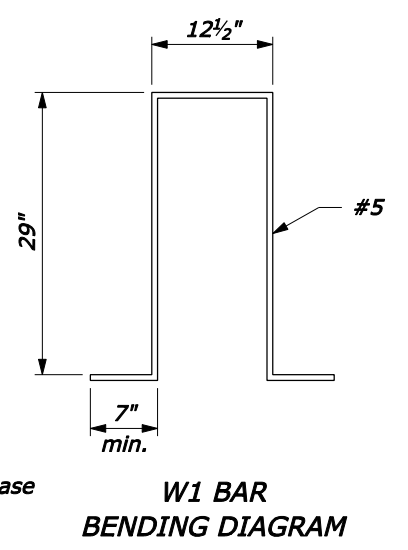
END VIEW

NOTE:

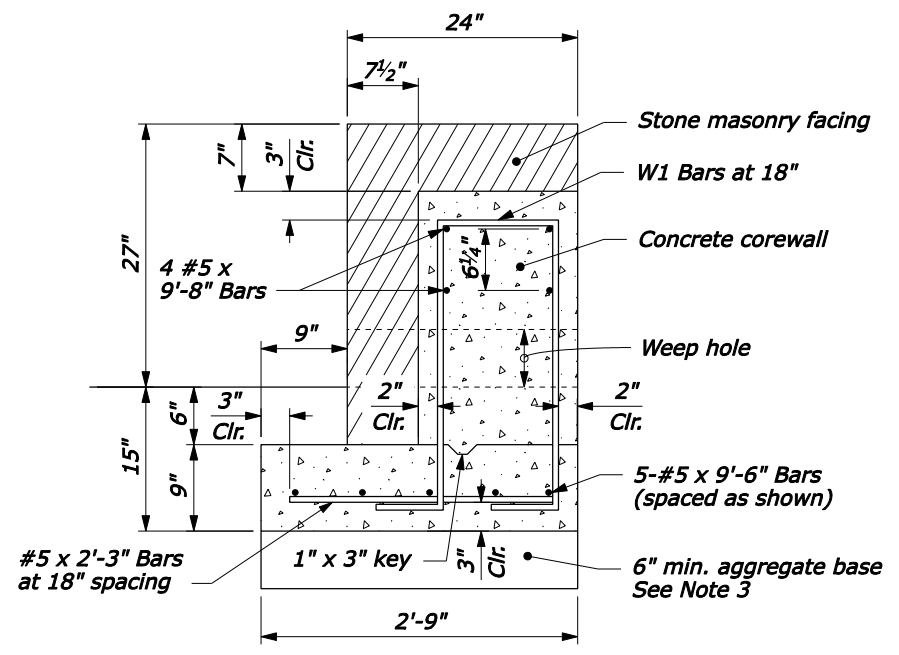
1. Form construction joints in the corewall at 30-foot intervals or, at the option of the Contractor, the corewall may be constructed of precast concrete units.
2. On curves with radius less than 150 feet, the corewall is to be cast-in-place.
3. The depth of base may be less than 6" as directed by the CO, when the foundation is on either rock fill or solid rock.
4. See Typical Section for guardwall offset distance and pavement structure.
5. Set galvanized metal slots with anchors for the stone work or other approved type of metal anchors in the concrete. Equivalent attachment systems are allowed with the approval of the CO.



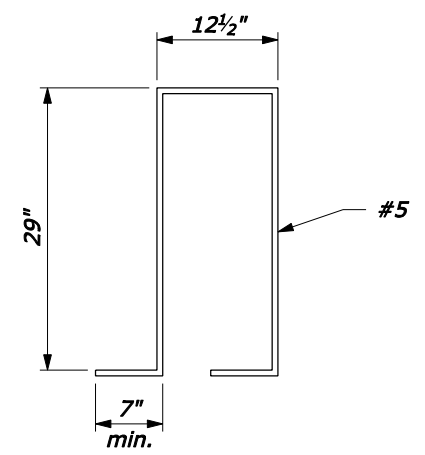
TYPICAL GUARDWALL CROSS SECTION (SINGLE FACE ADJACENT TO CUT SLOPE)



W1 BAR BENDING DIAGRAM



TYPICAL GUARDWALL CROSS SECTION (SINGLE FACE ADJACENT TO INLET, TYPE 6A)



W1 BAR BENDING DIAGRAM

U.S. DEPARTMENT OF TRANSPORTATION FEDERAL HIGHWAY ADMINISTRATION FEDERAL LANDS HIGHWAY	
U.S. CUSTOMARY STANDARD	
STONE MASONRY GUARDWALL (SINGLE FACE)	
STANDARD APPROVED FOR USE 6/2005	STANDARD
REVISED:	620-1

NO SCALE