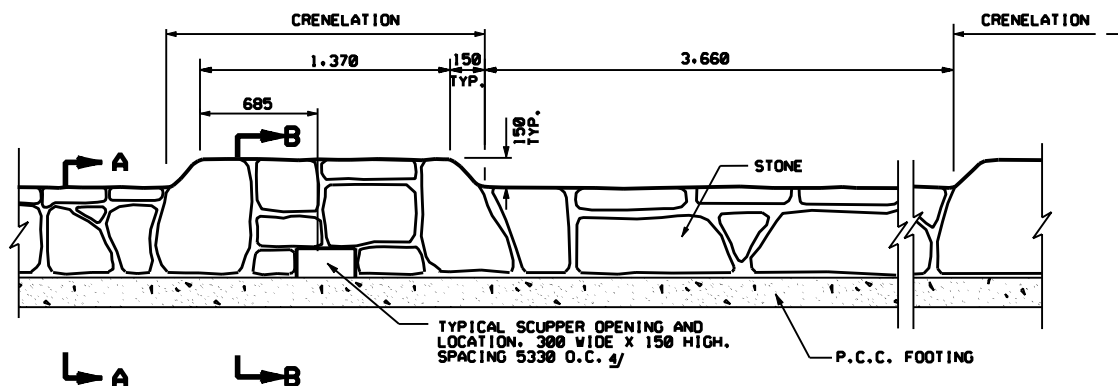


STATE	PROJECT	SHEET NUMBER
MT	PRA-GLAC 101121	6-3



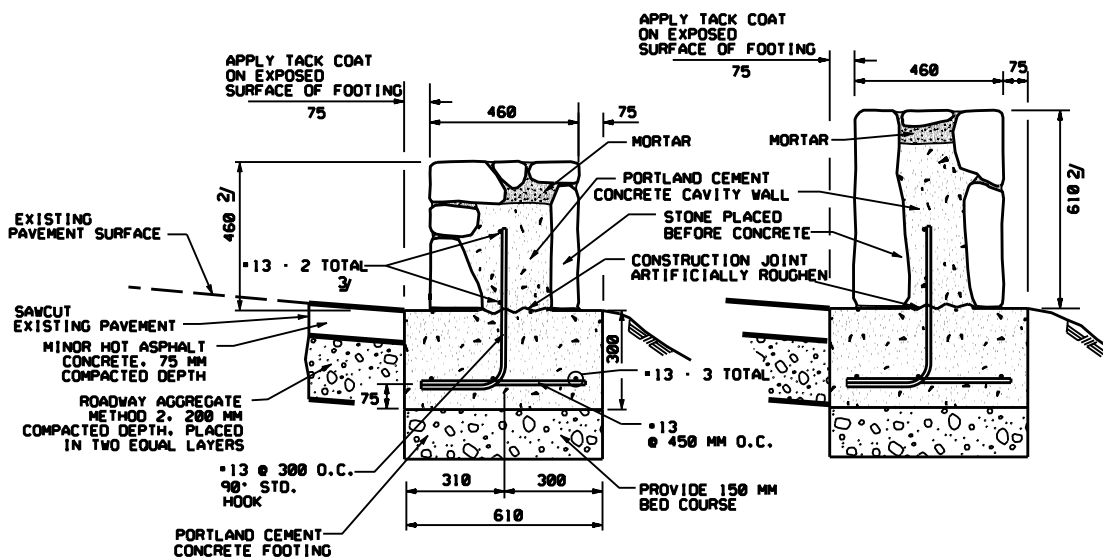
ELEVATION VIEW

NOTES:

- MORTAR STONES IN PLACE PRIOR TO CONSTRUCTING PORTLAND CEMENT CONCRETE CAVITY WALL.
- STONE PATTERN SHOWN FOR ILLUSTRATIVE PURPOSES ONLY. SEE SECTION 620 AND SHEET G.7 FOR STONE SIZE AND PATTERN REQUIREMENTS.
- PROVIDE AND INSTALL 0.85 MM GAGE DOVETAIL MASONRY ANCHORS IN JOINTS AT 610 MM MAXIMUM CENTERS.
- PORTLAND CEMENT CONCRETE CORE WILL VARY DEPENDING ON STONE SIZE. MINIMUM THICKNESS OF CORE IS 100 MM. MINIMUM HEIGHT OF CORE IS 305 MM FROM TOP OF CONCRETE FOOTING.
- ALL REINFORCING STEEL SHALL CONFORM TO ASTM A615M-96A, GRADE 420. MINIMUM SPLICE LENGTH OF 300 MM FOR ALL HORIZONTAL BARS.
- SEE SHEET G.2 FOR TYPICAL CONNECTION TO EXISTING STONE MASONRY GUARDWALL.
- DIMENSIONS NOT LABELED ARE IN MILLIMETERS.

FOOTNOTES:

- y SEE SECTION A-A FOR FOOTING, CORE, PAVEMENT, AND REINFORCING STEEL DETAILS.
- z HEIGHT MEASURED FROM FINISHED GRADE OF ADJACENT ASPHALT PAVEMENT.
- 3) BEND BOTTOM BAR TO OBTAIN 50 MM CLEARANCE FROM TOP EDGE OF SCUPPER OPENING.
- 4) MODIFY SCUPPER LOCATION AS DIRECTED BY THE CO. SKEW SCUPPERS AND MODIFY STONE MASONRY ADJACENT TO SCUPPER AS SHOWN ON SCUPPER DETAIL, SHEET E.26.



SECTION A-A

SECTION B-B y

NPS PKG. NO. 30301 NPS DRWG. NO. 117/41948

STONE MASONRY GUARDWALL
FREESTANDING

NOT TO SCALE

DATE:	
BY:	
DESIGNED:	
CHECKED:	

*****DGN SPEC*****

*****SYTIME*****