

8

7

6

5

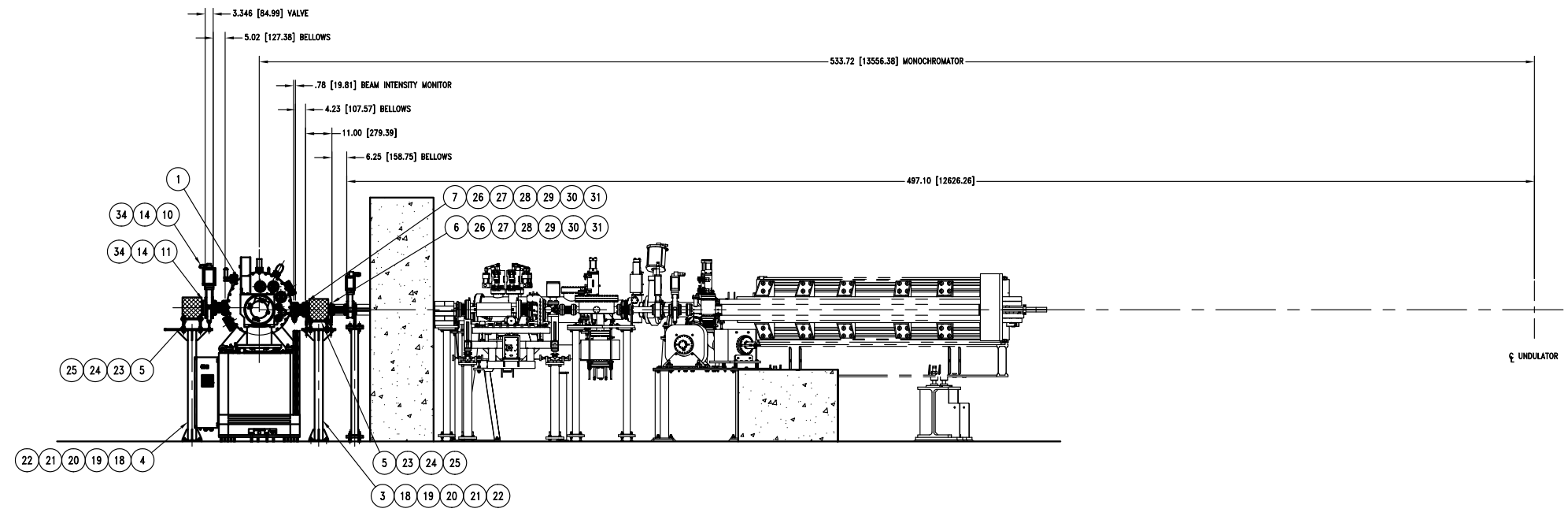
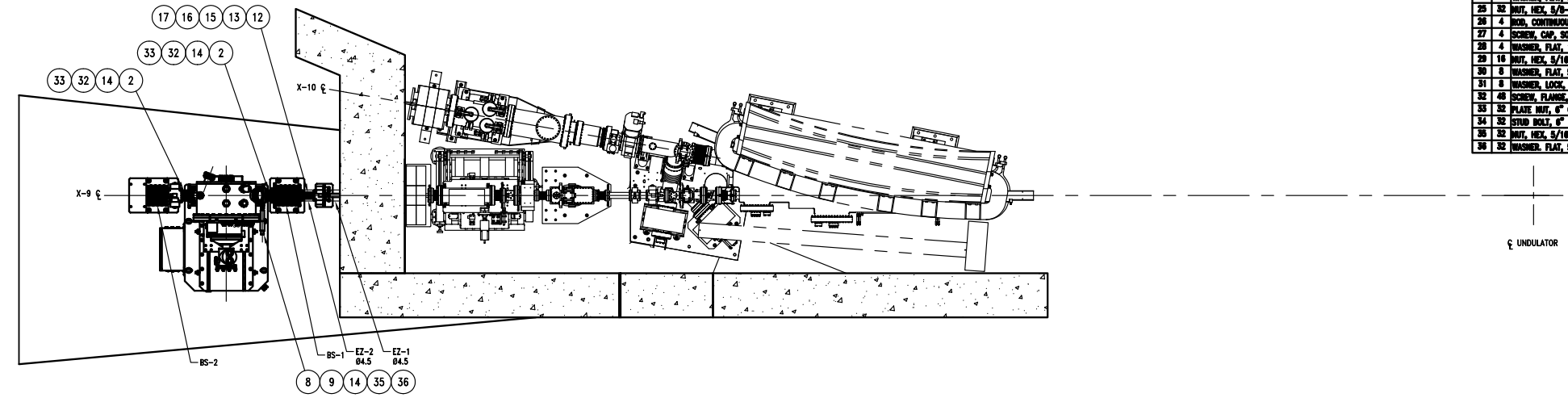
4

3

2

1

ITEM	QTY	DESCRIPTION	MATL. - PART NO	MANUFACTURER
1	1	ASSEMBLY, MONOCHROMATOR	AMB2281	OXFORD
2	2	BELLOWS	SLS-96.76-004-4	
3	1	STAND-A, SUPPORT	SLS-96.76-008-5	
4	1	STAND-B, SUPPORT	SLS-96.76-008-5	
5	2	PLATE, SUPPORT, LEAD	SLS-96.76-010-3	
6	1	SUPPORT-A, SPOOL	SLS-96.76-013-4	
7	1	SUPPORT-B, SPOOL	SLS-96.76-013-4	
8	1	ASSEMBLY, BEAM INTENSITY MONITOR	SLS-96.76-019-4	
9	18	STUD, THREADED	SLS-96.76-025-2	
10	1	VALVE, COMPACT PNEUMATIC ACTUATOR, SERIES 44, 6" FLANGE	44240-CETA	WAT
11	1	FLANGE, NON-ROTATABLE, BLANK, 6" O.D.	110025	MDC
12	1	COUPLING, FLEXIBLE, 4 1/2 OD FLANGE	400045	MDC
13	2	GASKET, 4 1/2 OD FLANGE	181000	MDC
14	6	GASKET, 6 O.D. FLANGE	181013	MDC
15	8	STUD BOLT, 4 1/2 OD FLANGE	33040-CEST	WAT
16	32	SCREW, FLANGE, 12 POINT, 5/16-24 X 2 LB.	180045	MDC
17	4	PLATE W/UT, 4 1/2 OD FLANGE	180072	MDC
18	8	ROD, THREADED, 1/2-13 X 5 1/2 LB.	81086A721	MANMASTER-CARR
19	8	ANCHOR, BRONZE, 1/2-13 (DIN-1/2)	80048754	HELI
20	8	NUT, HEX, 1/2-13	STEEL	
21	8	WASHER, FLAT, 1/2	STEEL	
22	8	WASHER, LOCK, 1/2	STEEL	
23	4	STUD, THREADED, ASTM A193, 5/8-11 X 6 LB.	85-456A818	MANMASTER-CARR
24	32	WASHER, FLAT, 5/8	STEEL	
25	32	NUT, HEX, 5/8-11	STEEL	
26	4	ROD, CONTINUOUS THREAD, 5/16-18 X 6 LB.	80857A754	MANMASTER-CARR
27	4	SCREW, CAP, SOCKET HEAD, 1/4-20 X 1 LB.	SST	
28	4	WASHER, FLAT, 1/4	SST	
29	16	NUT, HEX, 5/16-18	SST	
30	8	WASHER, FLAT, 5/16	STEEL	
31	8	WASHER, LOCK, 5/16	STEEL	
32	40	SCREW, FLANGE, 12 PT., 5/16-24 X 2 LB.	180045	MDC
33	32	PLATE W/UT, 6" O.D. FLANGE	180073	MDC
34	32	STUD BOLT, 6" O.D. FLANGE	33040-CEST	WAT
35	32	NUT, HEX, 5/16-24	SST	
36	32	WASHER, FLAT, 5/16, 11/16 O.D.	SST	



NOTES:

1. THESE ARE ULTRA-HIGH VACUUM PARTS.
a. USE OF CHLORINE OR SULPHUR BEARING OILS AND ABRASIVES IS PROHIBITED.
b. USE ONLY CIMCOOL, BLASSCUT 4000, MISSILE LUBE NO. 5, OR NSLS APPROVED EQUAL FOR LUBRICANT WHEN MACHINING.
2. LEAK TEST WITH A HELIUM MASS SPECTROMETER LEAK DETECTOR, TOTAL LEAK RATE NOT TO EXCEED 2 X 10⁻¹⁰ mhd or/See Hs.
3. CLEAN PER NSLS SPEC NO. SLS-07.12-1-1 OR APPROVED EQUIVALENT.

NSLS		ESH&O RISK LEVEL A-3	SLS-96.76 JOB NUMBER
UNLESS OTHERWISE SPECIFIED INTEGRITY TOLERANCES ± .06		UNLESS OTHERWISE SPECIFIED DIMENSIONS ARE IN INCHES DIMENSIONS IN MILLIMETERS FOR REF. ONLY	DATE 09/12/88
DECIMAL TOLERANCES X ± .030 XX ± .015 XXX ± .005	CHECKED BY C. STELMACH	DESIGNED BY C. STELMACH	DATE 09/12/88
ANGULAR TOLERANCE ± 0.5	VACUUM APPROVAL	APPROVAL	
UNSPECIFIED RADIUS .02 MAX. 125 BREAK SHARP CORNERS AND EDGES	FINISH MAX. .03 MIN. .005	BROOKHAVEN NATIONAL LABORATORY BROOKHAVEN RESEARCH ASSOCIATES UPTON, N.Y. 11973 NSLS X-RAY BEAMLINES X-9 ACTIVE INTERLOCK ASSEMBLY	
		96-76/MSK2256	M-SK-2256-5 A
		COMPUTER REPRODUCIBLE	SCALE: 1/20 SHEET 1 OF 1

REV.	ZONE	DESCRIPTION	BY	DATE	CHK	APP.

8

7

6

5

4

3

2

1

M-SK-2256-5

A