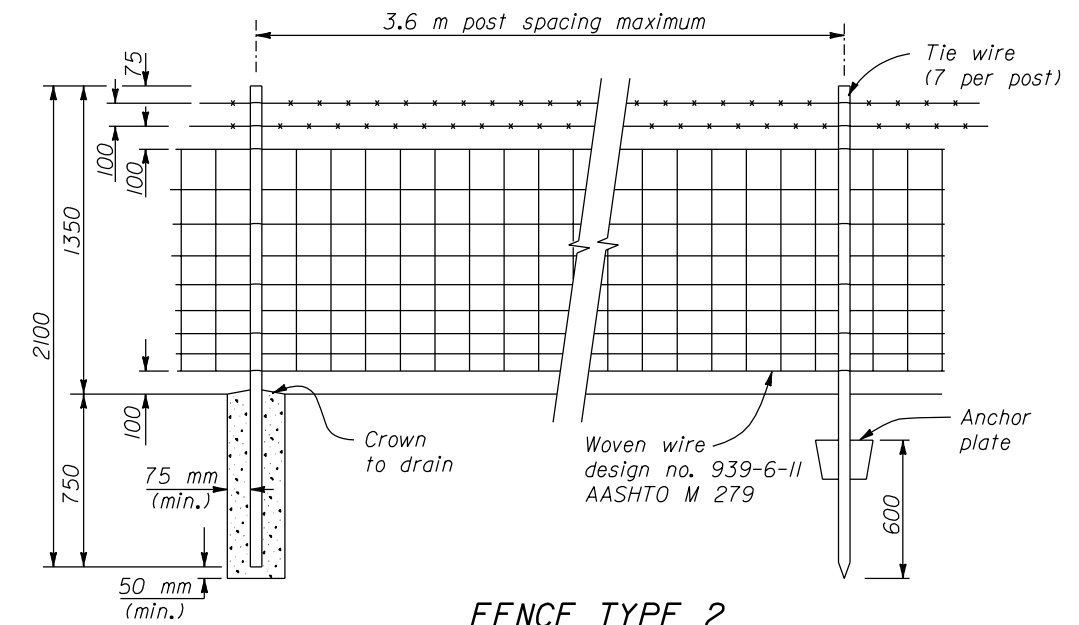


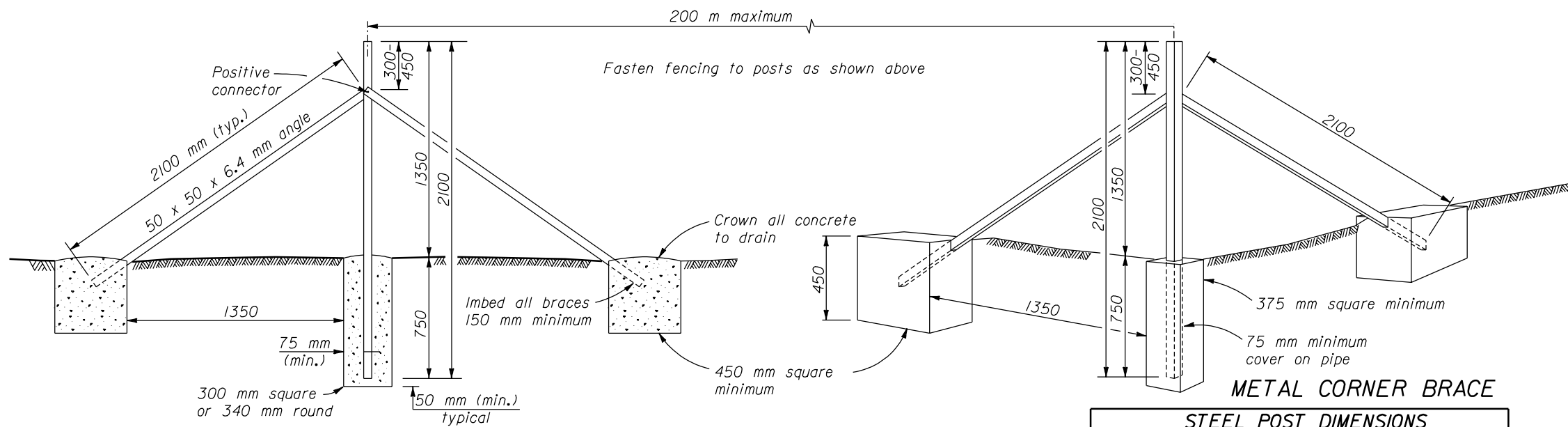
FENCE TYPE 1



FENCE TYPE 2

NOTE:

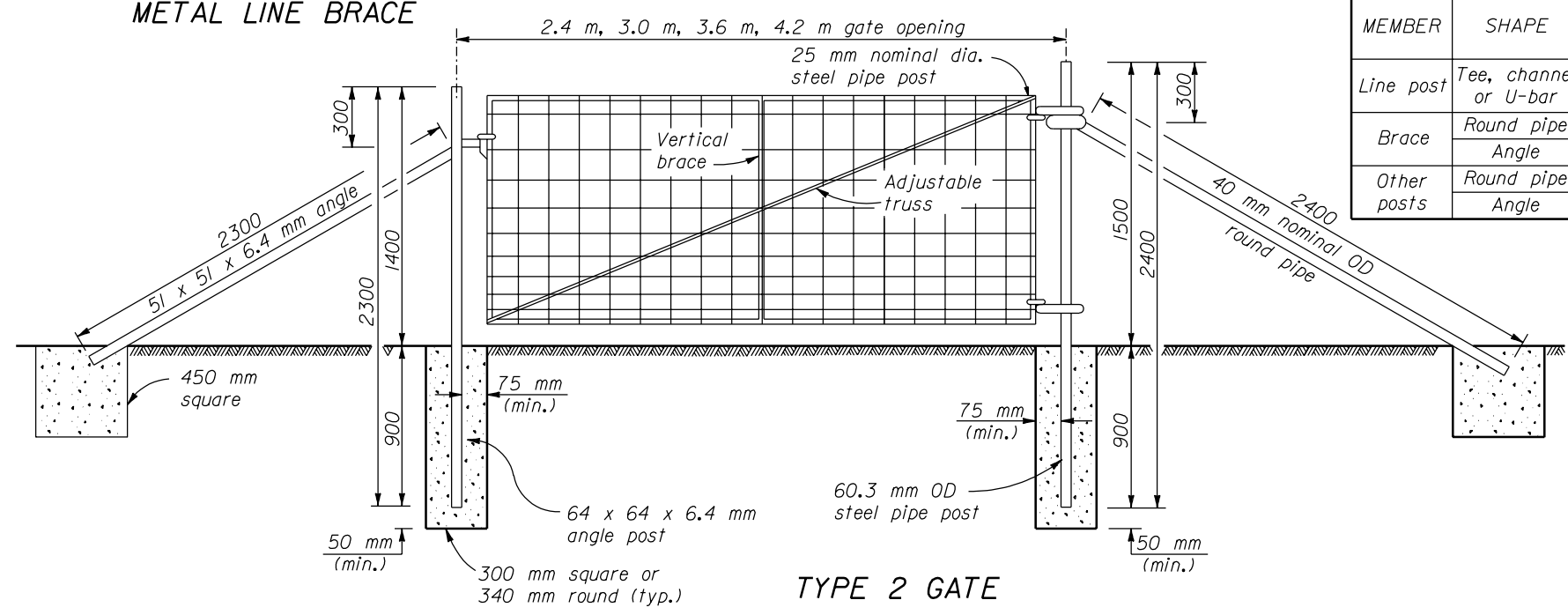
- Dimensions not labeled are in millimeters.
- Furnish either zinc coated (galvanized) or aluminum coated steel barbed wire. Fabricate zinc coated barbed wire from two strands of 2.51 mm steel wire with a Class 3 zinc coated wire. Fabricate aluminum coated barbed wire from two strands of 2.51 mm aluminum coated steel wire with 4 point barbs of 2.03 mm aluminum coated or aluminum alloy wire.
- Furnish either zinc coated (galvanized) or aluminum coated steel wire fence fabric. If zinc coated fabric is furnished, use Grade 60 fabric with a Class 3 coating.
- Furnish 3.43 mm tie wire or wire clamps for fasteners in metal posts. Galvanize wire stays, tie wire, wire loops, and wire clamps with a Class 1 zinc coating according to ASTM A 641.
- Furnish either painted or galvanized steel fence posts for tee, channel or U bar shapes. Furnish galvanized steel round pipe or steel angle for posts and braces. Fit round pipe posts with snug-fitting galvanized metal caps. Fabricate steel line posts and angles from Type A steel according to AASHTO M 281. Fabricate steel pipe posts and braces according to AASHTO M 160.
- Place fencing on Right-of-Way line or where shown on plans.
- Manufacture gates of galvanized steel pipe not less than 25 mm nominal diameter, (nominal mass 2.50 kg per linear meter) for frame and vertical brace and wire mesh of the same design used in the fence. Equip each gate with one standard adjustable diagonal truss rod from corner to corner. Provide Hinges and 2-way self closing latch of an approved rust proof malleable iron or steel. Approved alternate gates may be used.
- Where a single opening requires two gates, provide an approved drop bar and fastener between the gates. Where two metal gates are installed in a single opening both gates will be measured for payment.
- Construct metal walk gates up to 1200 mm in width similar to Type 2 gate but omit vertical brace and truss.



METAL LINE BRACE

METAL CORNER BRACE

STEEL POST DIMENSIONS			
MEMBER	SHAPE	kg/m (min.) nominal	SIZE nominal
Line post	Tee, channel or U-bar	1.98	U.S. Comm. Std.
Brace	Round pipe	3.38	approx. 40 mm OD
	Angle	3.63	51 x 51 x 6.4 mm
Other posts	Round pipe	5.28	60.3 mm OD
	Angle	6.10	64 x 64 x 6.4 mm



TYPE 2 GATE

NO SCALE

U.S. DEPARTMENT OF TRANSPORTATION
 FEDERAL HIGHWAY ADMINISTRATION
 WESTERN FEDERAL LANDS HIGHWAY DIVISION

METRIC DETAIL

ALASKA
WIRE FENCE AND GATE

DETAIL APPROVED FOR USE 3/1996

REVISID: _____

DETAIL
WM619-40

f:\standrow\metric\details\wm61940.dgn 13 DEC 2000