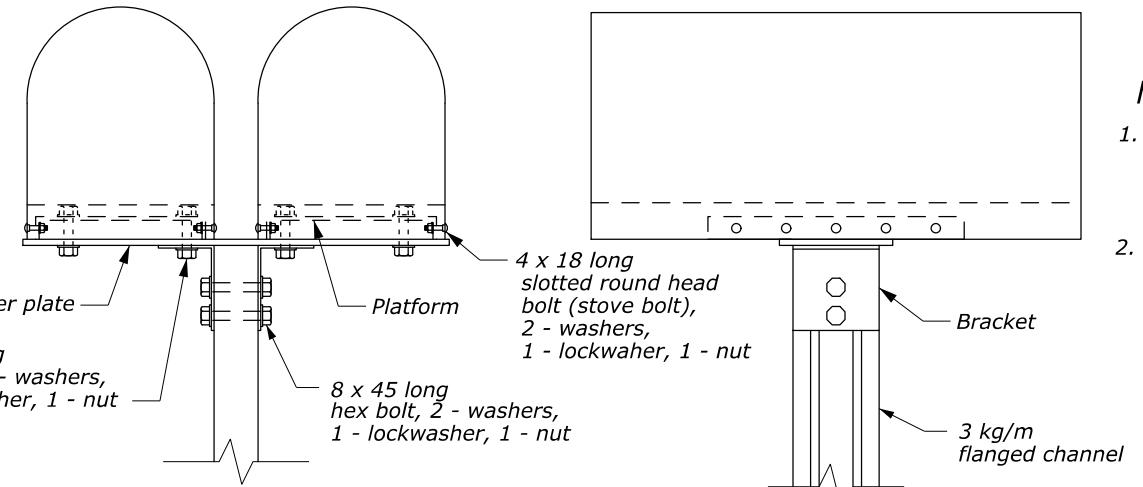


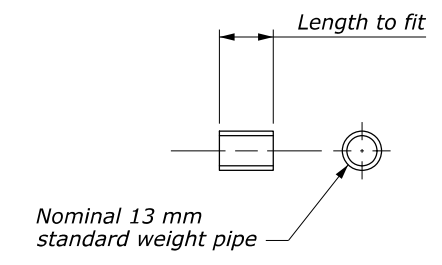
SINGLE MAILBOX INSTALLATION



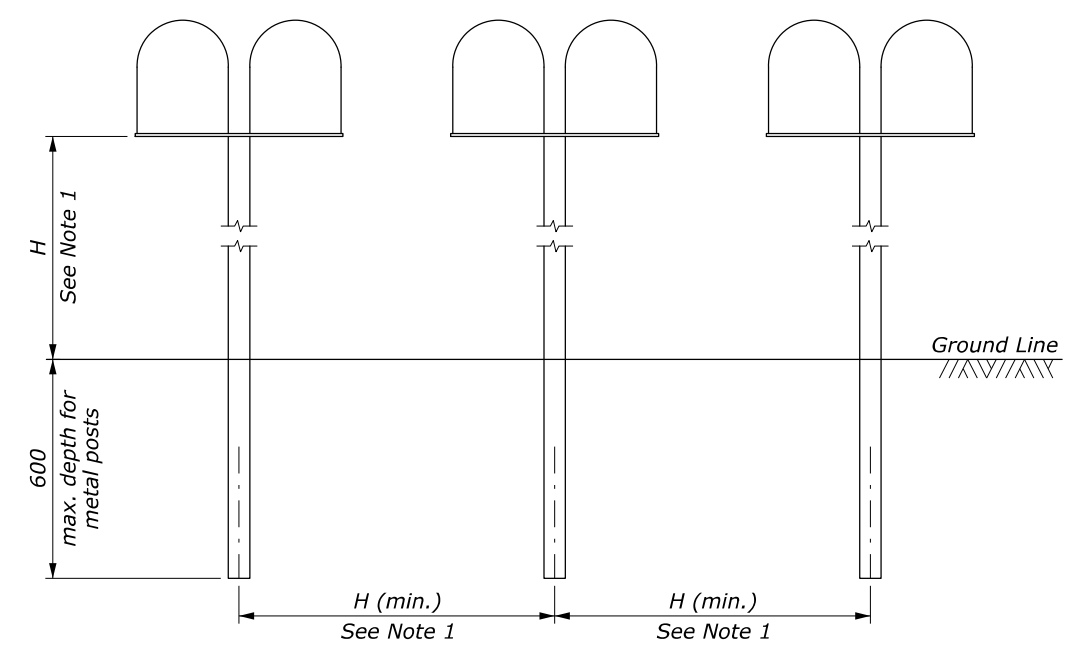
DOUBLE MAILBOX INSTALLATION

NOTE:

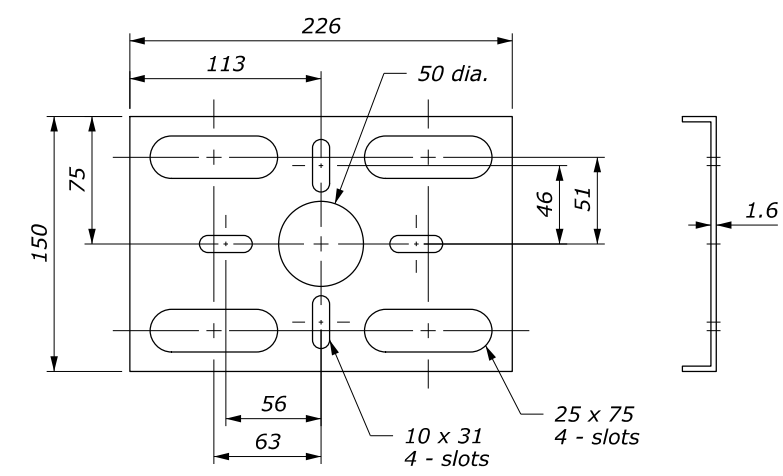
- Spacing between multiple mailboxes and height of mailbox above ground level are as established by the the U.S. Postal Service. H is usually 1.0 m to 1.2 m.
- Dimensions without units are millimeters.



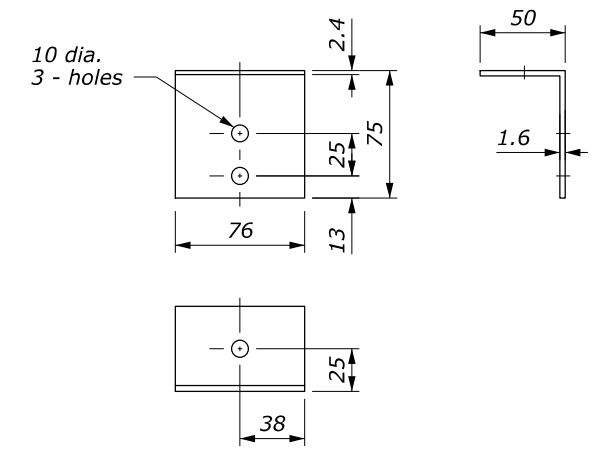
SPACER



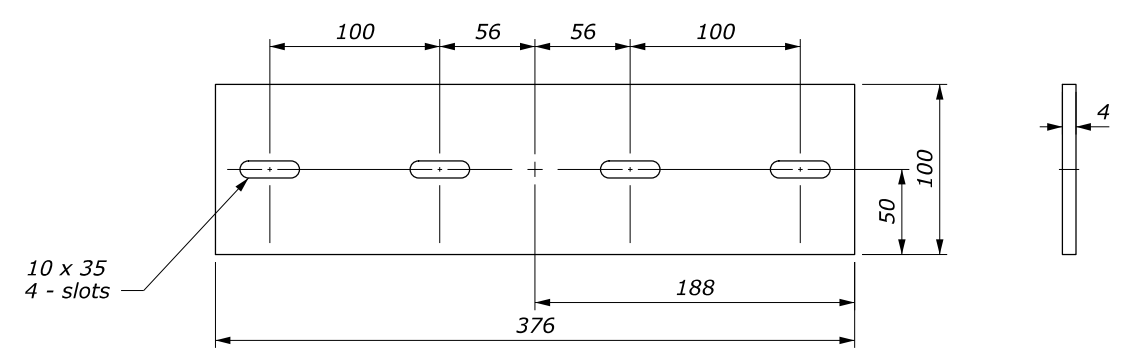
SPACING FOR MULTIPLE INSTALLATION



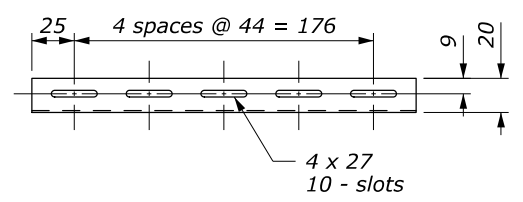
PLATFORM



BRACKET



ADAPTER PLATE



U.S. DEPARTMENT OF TRANSPORTATION FEDERAL HIGHWAY ADMINISTRATION WESTERN FEDERAL LANDS HIGHWAY DIVISION	
METRIC DETAIL	
MAILBOX ASSEMBLY SERIES B	
DETAIL APPROVED FOR USE --/----	DETAIL
REVISED: DRAFT: 1/2010	WM646-3

NO SCALE

H:\StanDraw\w64603.dgn [Metric] 14 January 2010 8:50 AM