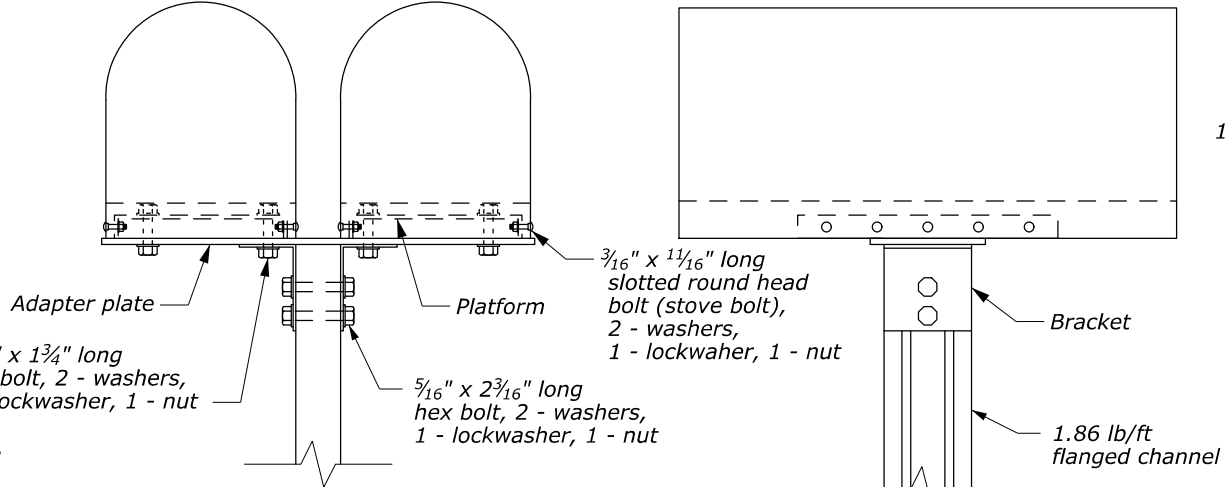
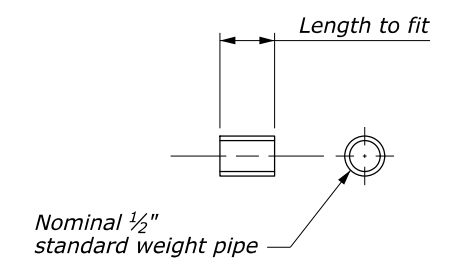


**SINGLE MAILBOX INSTALLATION**

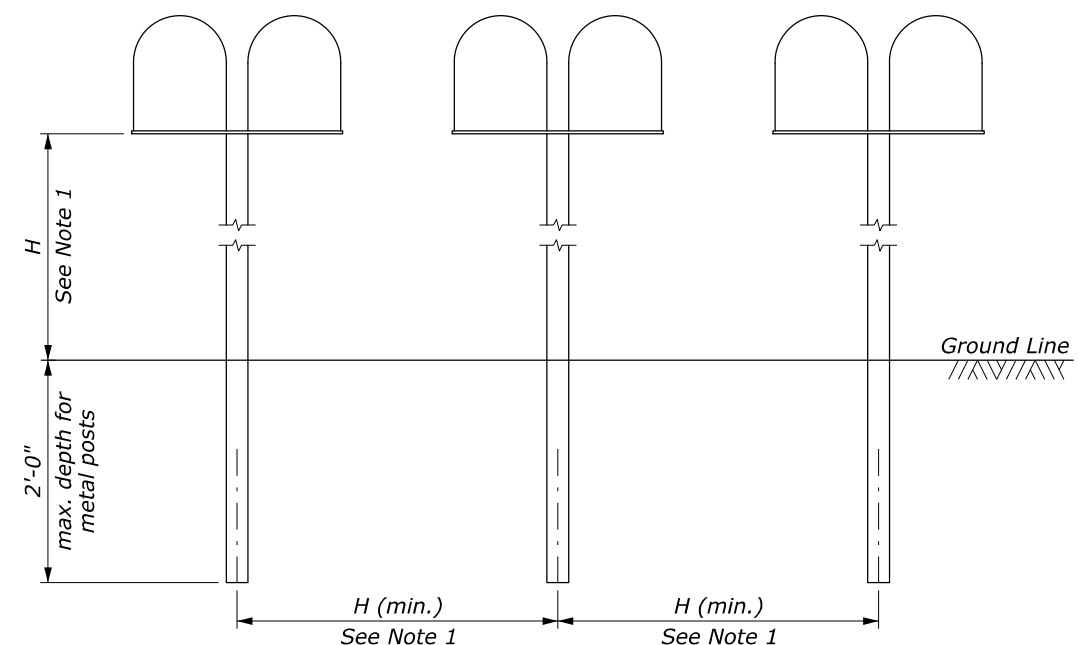


**DOUBLE MAILBOX INSTALLATION**

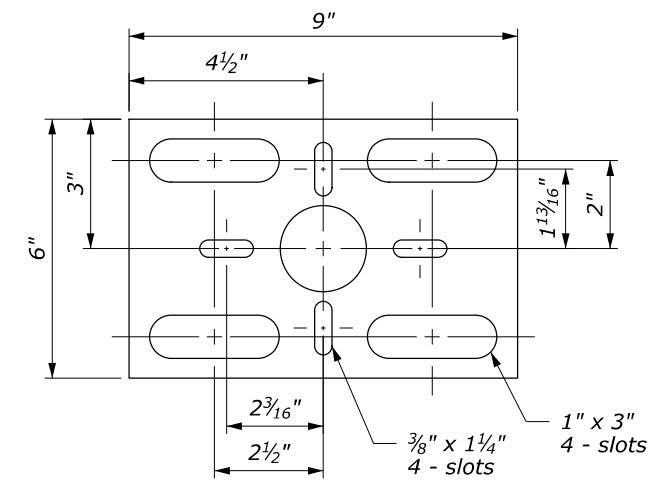
**NOTE:**  
 1. Spacing between multiple mailboxes and height of mailbox above ground level are as established by the U.S. Postal Service. H is usually 3'-4" to 4'-0".



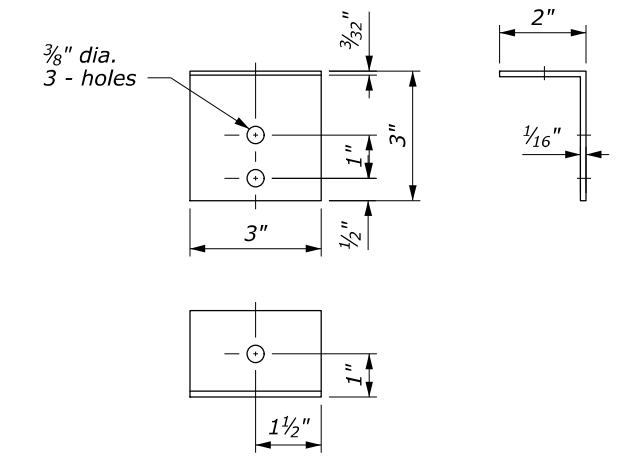
**SPACER**



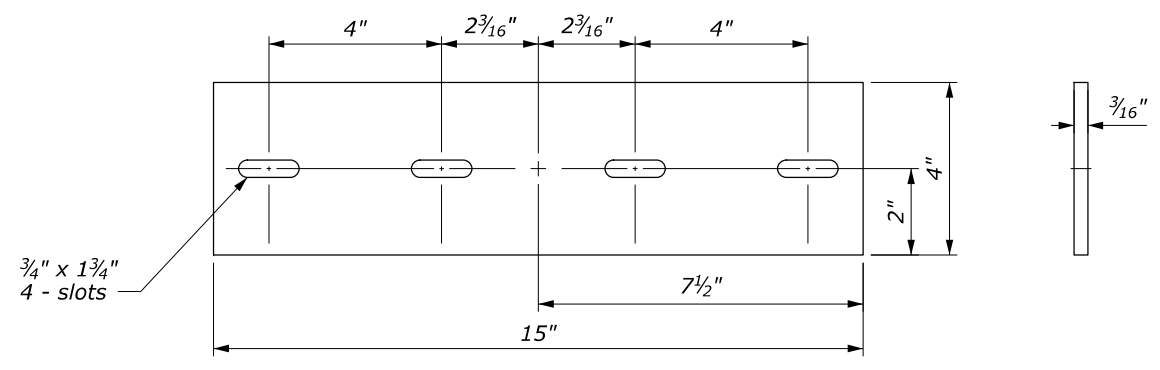
**SPACING FOR MULTIPLE INSTALLATION**



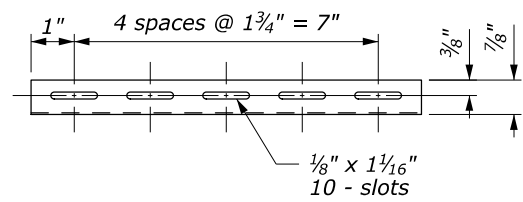
**PLATFORM**



**BRACKET**



**ADAPTER PLATE**



NO SCALE

U.S. DEPARTMENT OF TRANSPORTATION FEDERAL HIGHWAY ADMINISTRATION WESTERN FEDERAL LANDS HIGHWAY DIVISION	
U.S. CUSTOMARY DETAIL	
<b>MAILBOX ASSEMBLY SERIES B</b>	
DETAIL APPROVED FOR USE --/----	DETAIL
REVISED: DRAFT: 1/2010	W646-3