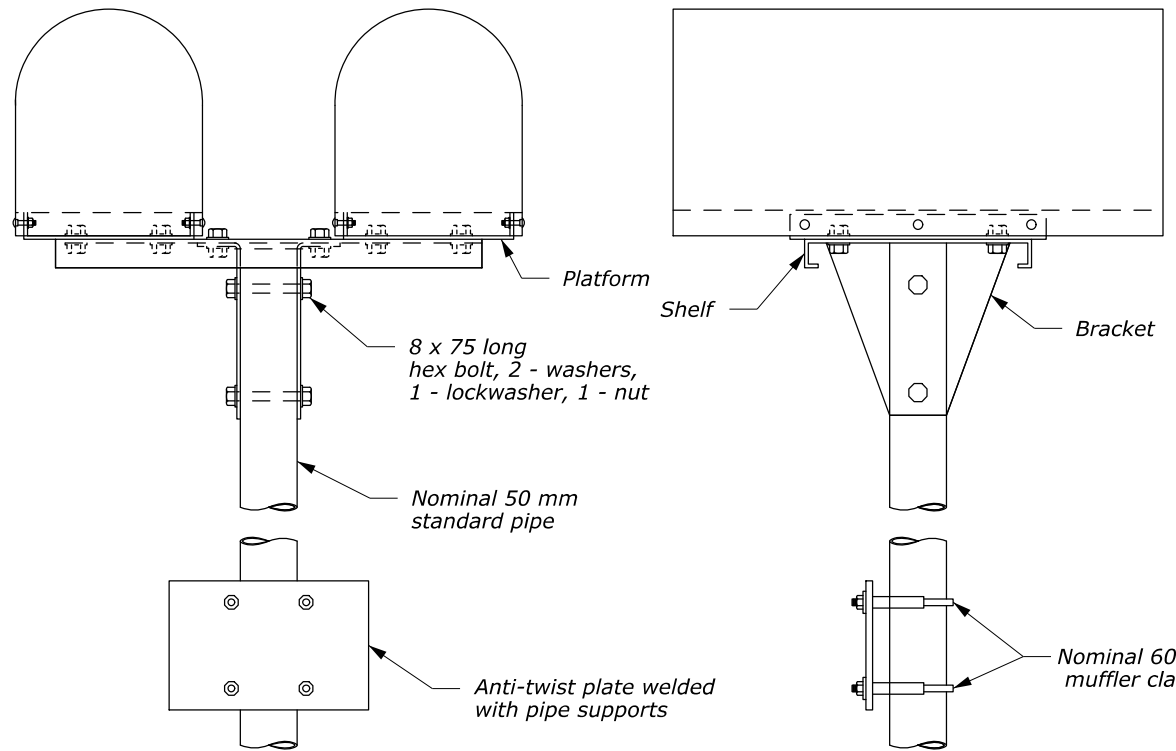


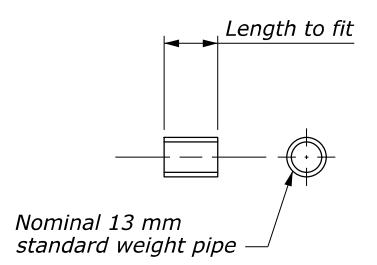
SINGLE MAILBOX INSTALLATION



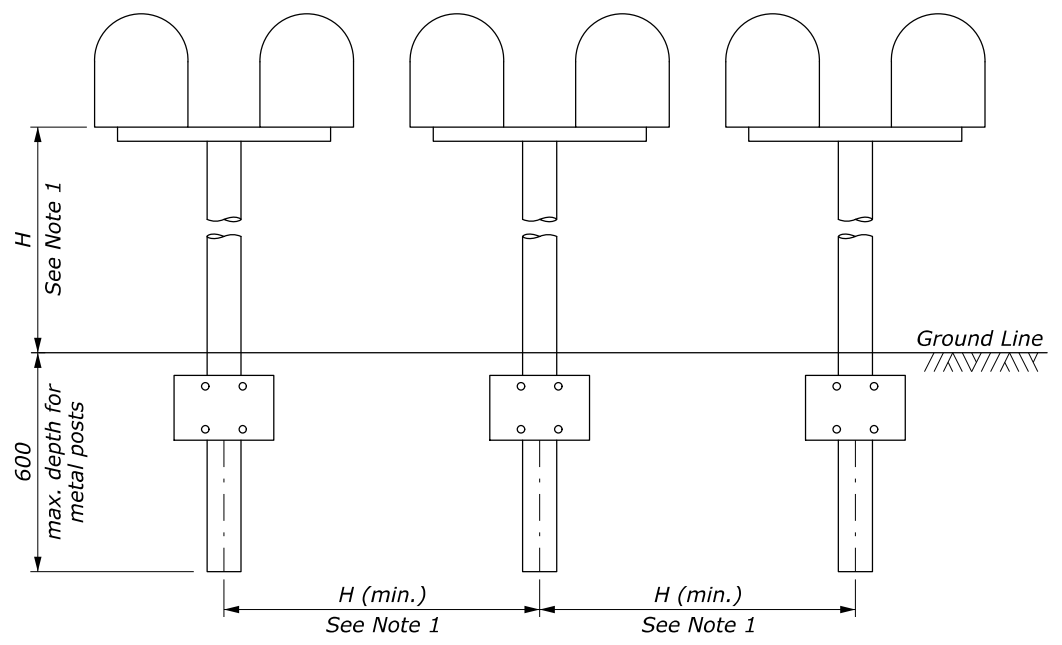
DOUBLE MAILBOX INSTALLATION

NOTE:

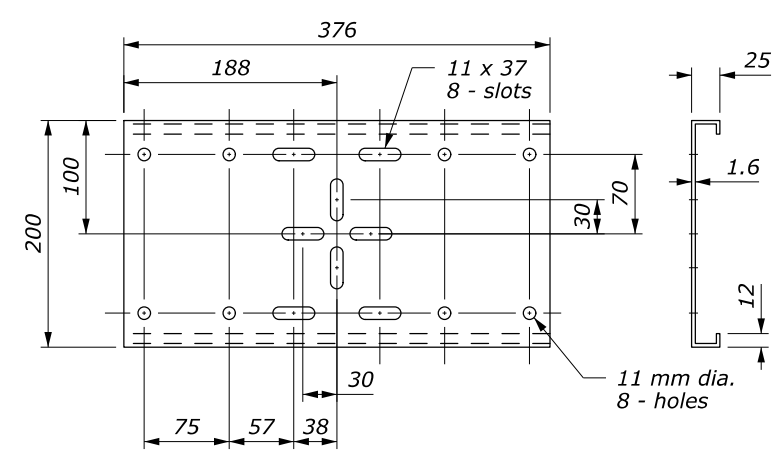
1. Spacing between multiple mailboxes and height of mailbox above ground level are as established by the the U.S. Postal Service. H is usually 1.0 m to 1.2 m.
2. Dimensions without units are millimeters.



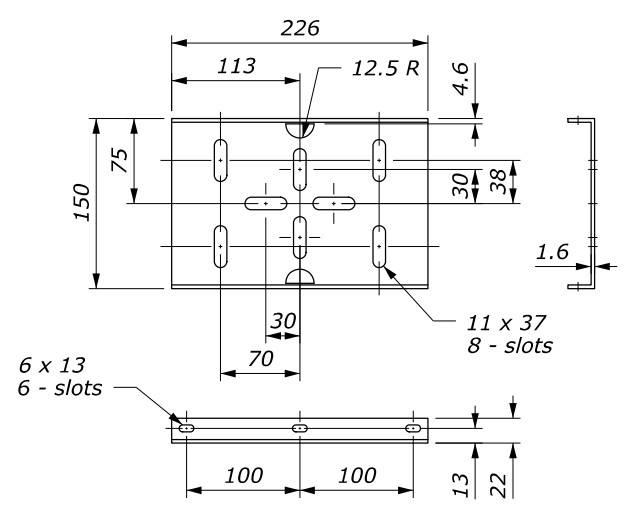
SPACER



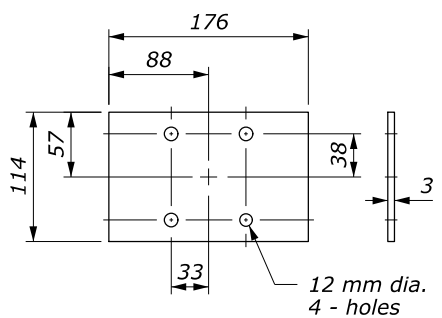
SPACING FOR MULTIPLE INSTALLATION



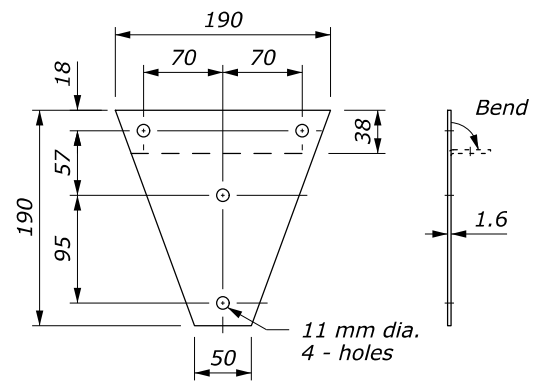
SHELF



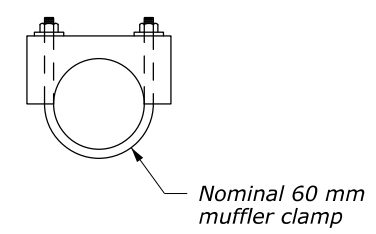
PLATFORM



ANTI-TWIST PLATE



BRACKET



CLAMP

U.S. DEPARTMENT OF TRANSPORTATION FEDERAL HIGHWAY ADMINISTRATION WESTERN FEDERAL LANDS HIGHWAY DIVISION	
METRIC DETAIL	
MAILBOX ASSEMBLY SERIES A	
DETAIL APPROVED FOR USE --/----	DETAIL
REVISED: DRAFT: 1/2010	WM646-2

NO SCALE

H:\StanDraw\w64602.dgn [Metric] 13 January 2010 1:27 PM