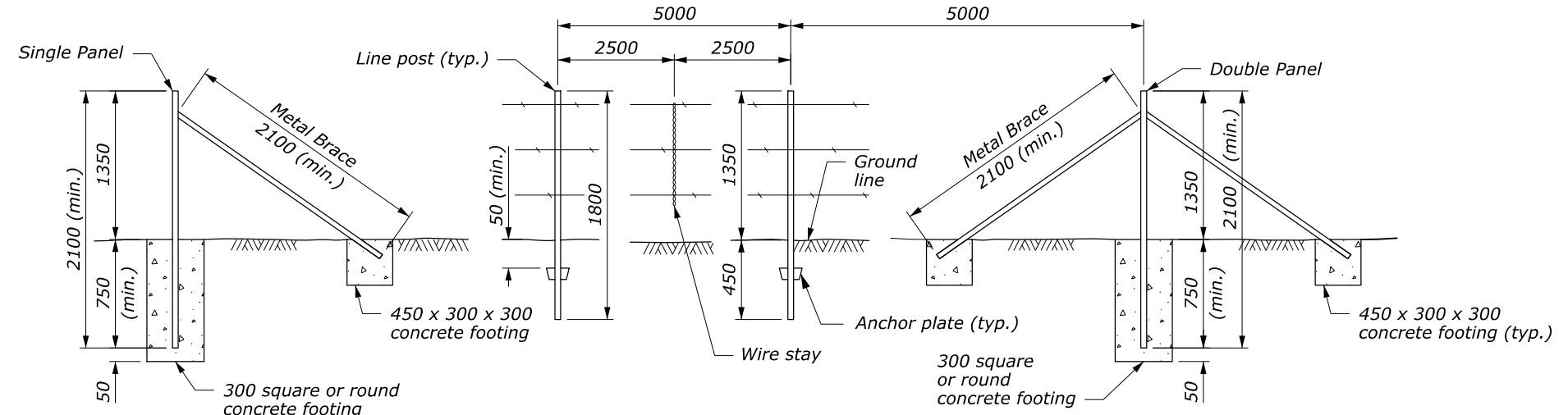


WILDLIFE-FRIENDLY TYPE 3B TYPE 4B TYPE 5B TYPE 6B TYPE 2B-813W TYPE 3B-813W TYPE 2B-990W
FENCE WIRE DETAILS

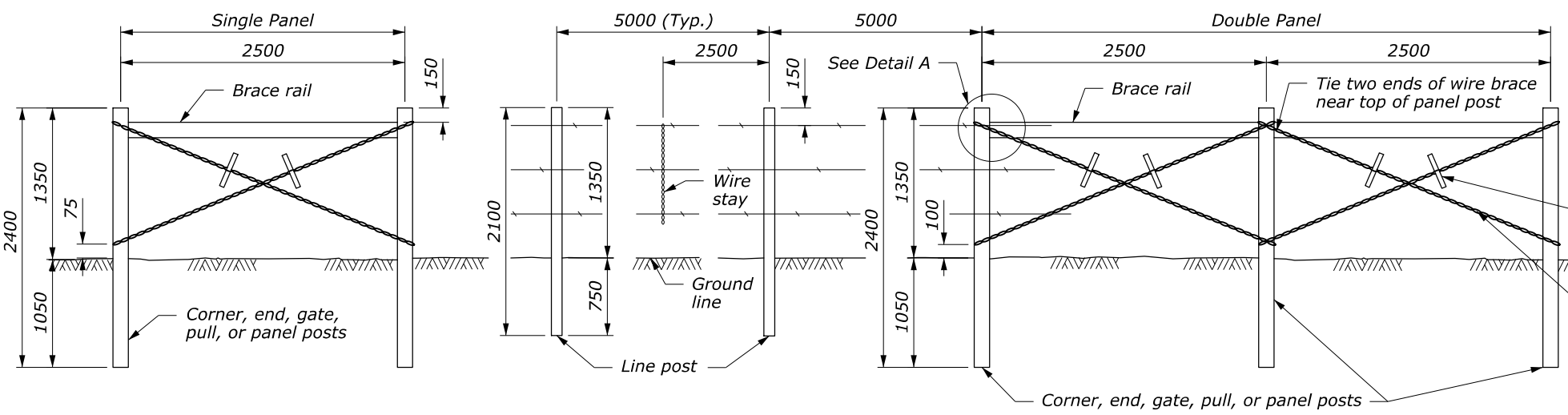
NOTE:

1. Place all fence wire on pasture side of post, except on curves place the wire on the outside of the curve. In areas subject to high winds and moving debris wires may be placed on windward side of posts (except on curves).
2. Measure post spacing parallel to ground.
3. In each 150 m run of wood post fence, place one metal post in place of a wood line post for lightning protection.
4. Use wood panels on all metal fences instead of the steel panels unless otherwise specified.
5. Attach all barbed wires to posts. Attach bottom, top, center, and alternate wires of woven wire to line posts. Attach all wires of woven wire to corner posts or post used to tie-off wire. Attach wires using staples for wood posts and using ties for steel posts.
6. Use wire stays on all fences unless wood stays are specified. When wood stays are specified use either 50 mm round, a rough dimension 50 x 50, or a 37.5 x 87.5 (nominal 50 x 100). Provide stay of sufficient length to be placed on the ground with the top of stay extending 50 mm above the top wire. Attach each wire to the wood stays using 44 mm x 9 gage staples. Wood stays do not need to be treated.
7. Dimensions without units are millimeters.

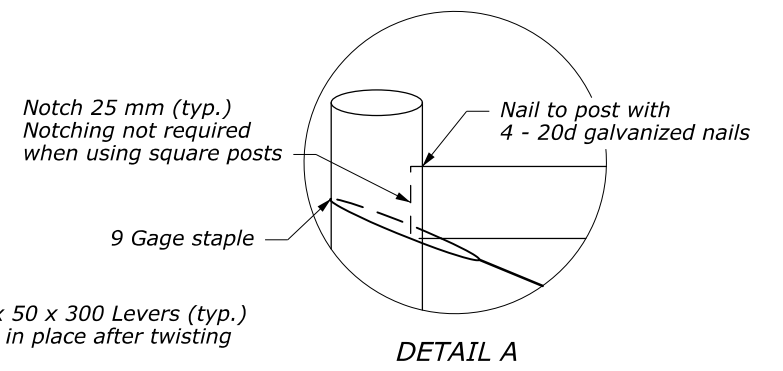


FENCE WITH STEEL POSTS

MEMBER	WOOD		STEEL
	ROUND	SQUARE	
Line post	100	100 x 100	2 kg/m
Brace	100	100 x 100	51 x 51 x 6.4
Other posts	125	125 x 125	64 x 64 x 6.4



FENCE WITH WOOD POSTS



DETAIL A

One continuous 9 or 12.5 gage smooth wire doubled to form a four wire brace.

U.S. DEPARTMENT OF TRANSPORTATION
 FEDERAL HIGHWAY ADMINISTRATION
 WESTERN FEDERAL LANDS HIGHWAY DIVISION

METRIC DETAIL

MONTANA FENCE
 Sheet 1 of 2

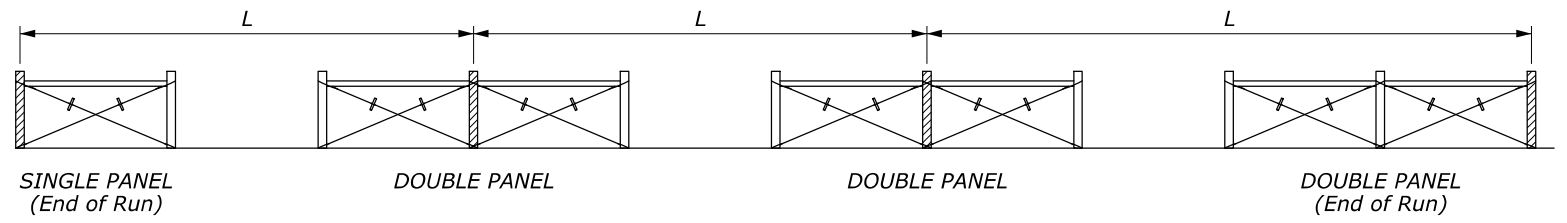
DETAIL APPROVED FOR USE 2/2010

REVISID: _____

DETAIL
 WM619-60

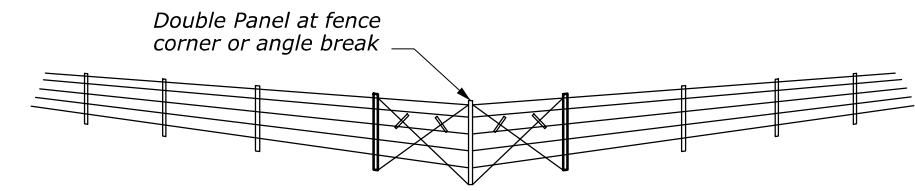
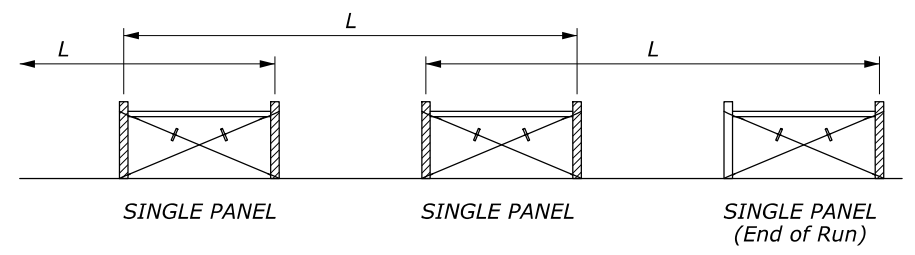
NO SCALE

9 February 2010 3:46 PM H:\StanDraw\w61960.dgn [Metric]



FENCE TYPE	RUN = L	PANELS REQUIRED
Combination Woven Wire & Barbed Wire	< 10 m	None
	10 m to 100 m	Single
	> 100 m to 200 m Max.	Double
Barbed Wire	< 20 m	None
	20 m to 200 m	Single
	> 200 m to 300 m Max.	Double

NOTE: Tie off on all cross hatched posts.



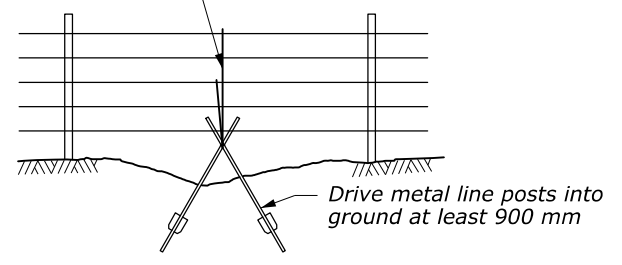
DOUBLE END PANEL

FENCE PANEL TYPES

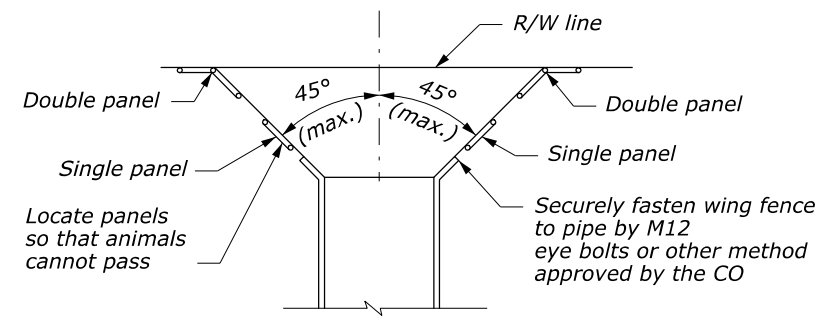
NOTE:

1. Attach barbed wires to tie-off posts by wrapping around the post at least two times, then wrapping the wires around itself five times.
2. To attach woven wire to end post, remove two or three vertical stay wires from the end of the fence. Place the first complete vertical stay wire against post. Start at the middle of the horizontal line wires, wrapping around the end post at least two times and then wrapping around itself five times.
3. A deadman may be a precast concrete block, a cast-in-place block or a rock or other approved object weighing at least 70 kg. Bury the deadman in the ground with at least 600 mm cover. Attach the deadman to the fence with 3 strands of 9 gage wire or 6 strands of 12.5 gage wire. The Alternate Deadman shown on this sheet may be used when approved by the CO.
4. Offset "Interstate" fence 300 mm inside right-of-way. Increase length of metal "Interstate" posts and braces to 2.3 m. Increase embedment depth to 950 mm. Increase length of metal "Interstate" line posts to 2 m. Increase embedment depth to 650 mm.
5. Dimensions without units are millimeters.

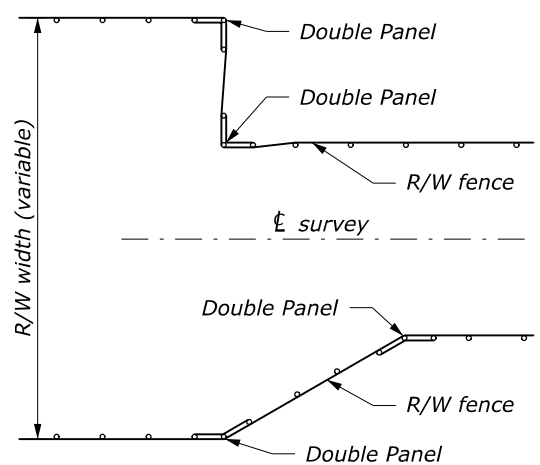
Tie 3 strands of 9 gage wire around all wires and around the junction of the metal posts



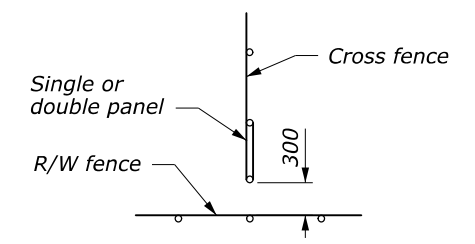
ALTERNATE DEADMAN
See Note 3 for normal deadman



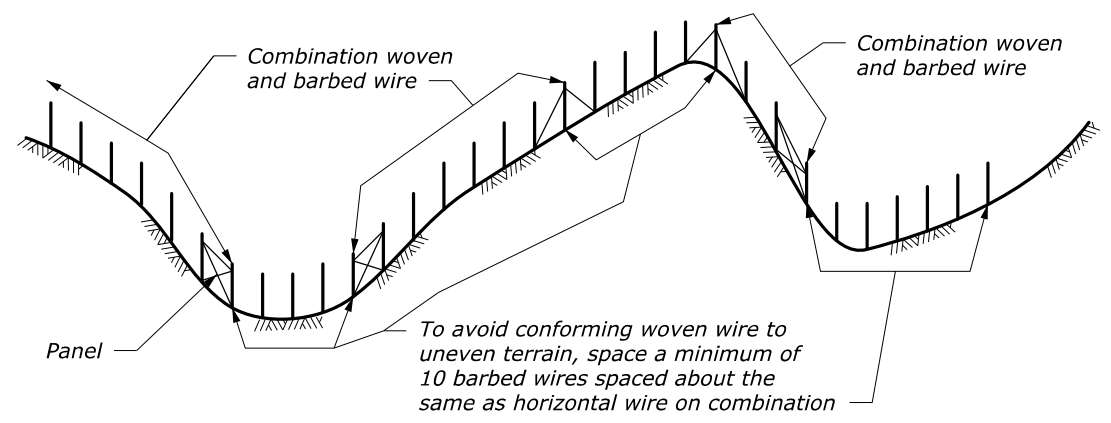
FENCE LAYOUT AT STOCKPASS



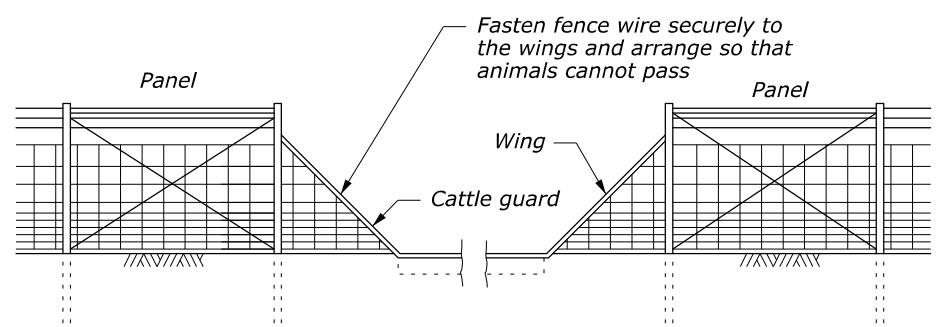
FENCE LAYOUT AT CHANGE IN R/W WIDTH



FENCE LAYOUT AT CROSS FENCE CONNECTION



FENCE LAYOUT ON SHARP VERTICAL CURVES



FENCE CONNECTION TO CATTLE GUARD

NO SCALE

U.S. DEPARTMENT OF TRANSPORTATION
FEDERAL HIGHWAY ADMINISTRATION
WESTERN FEDERAL LANDS HIGHWAY DIVISION

METRIC DETAIL

MONTANA FENCE

Sheet 2 of 2

DETAIL APPROVED FOR USE 2/2010

REVISID: _____

DETAIL WM619-60

H:\StanDraw\w61960.dgn [Metric] 9 February 2010 3:26 PM