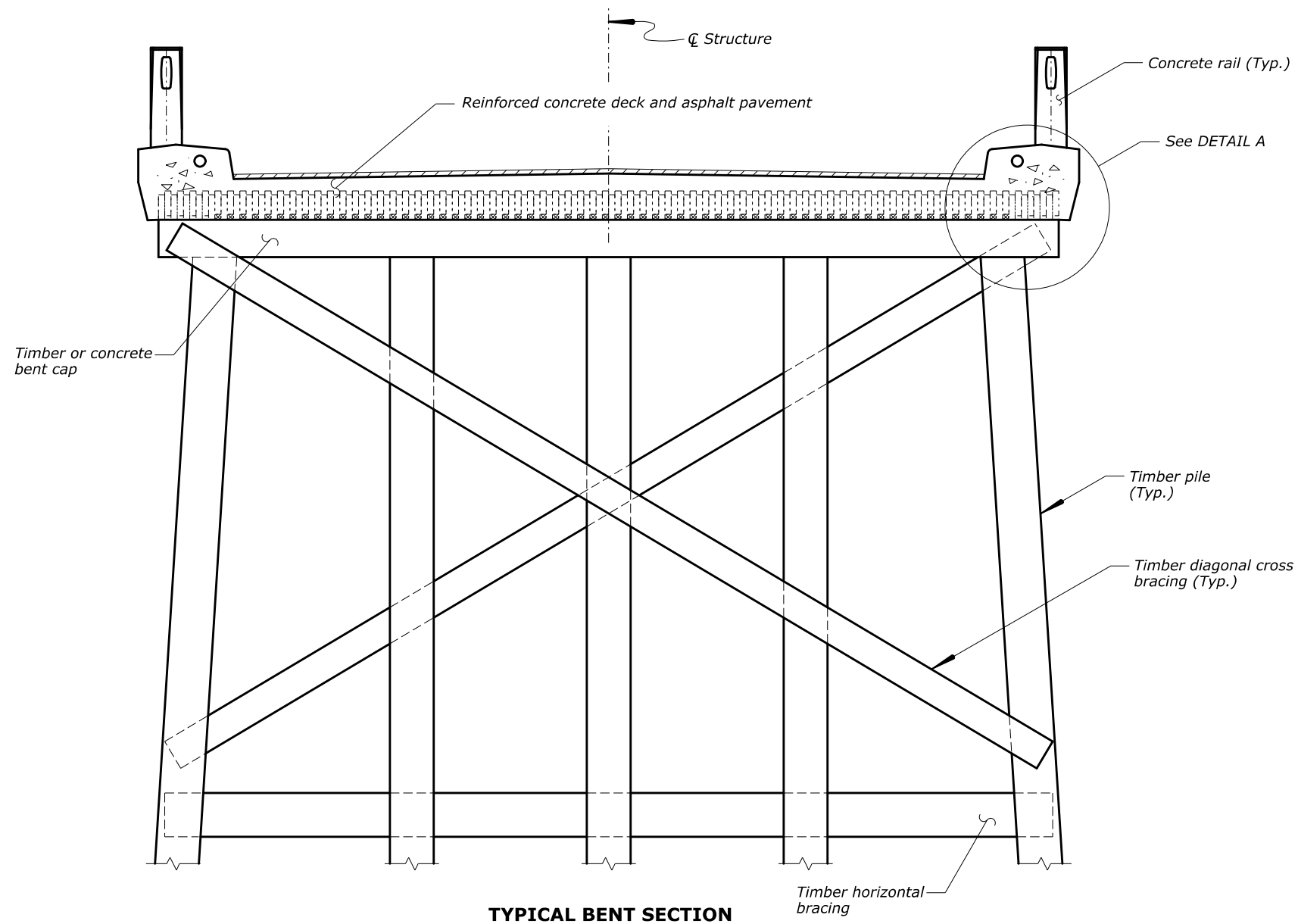
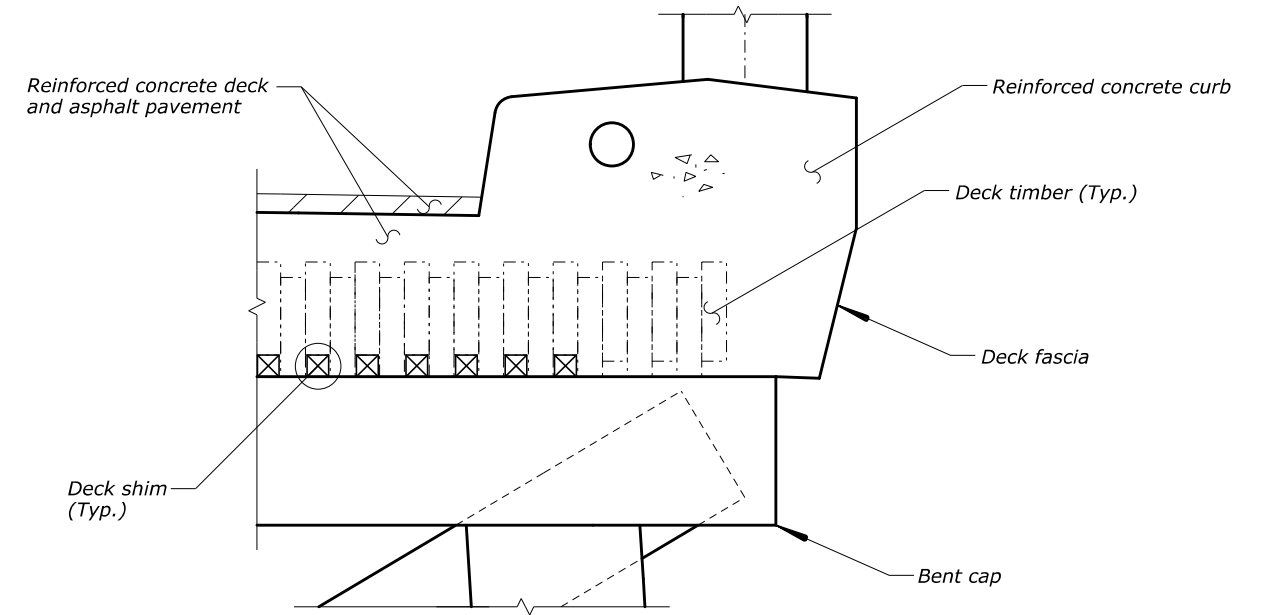


## **APPENDIX D: FORT PULASKI BRIDGE ELEMENTS**



**TYPICAL BENT SECTION**



**DETAIL A**

