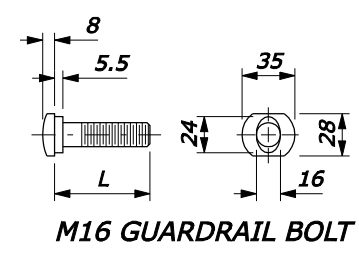


RAIL ELEMENT ELEVATION

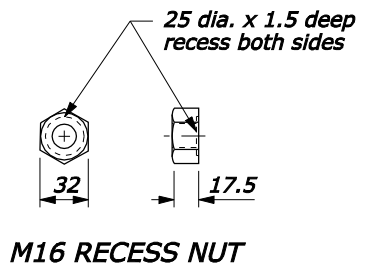
SECTION A-A

W BEAM RAIL MEMBERS

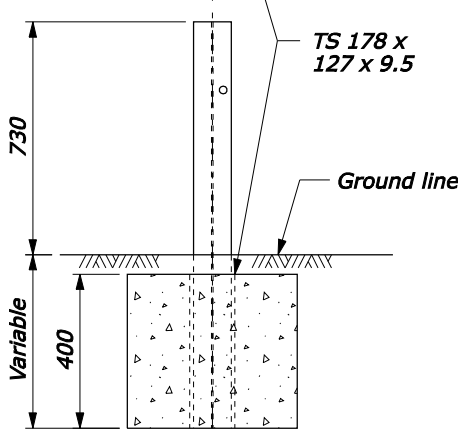


L	Thread Length
35	30 minimum
50	45 minimum
255	100 minimum
460	100 minimum
640	100 minimum

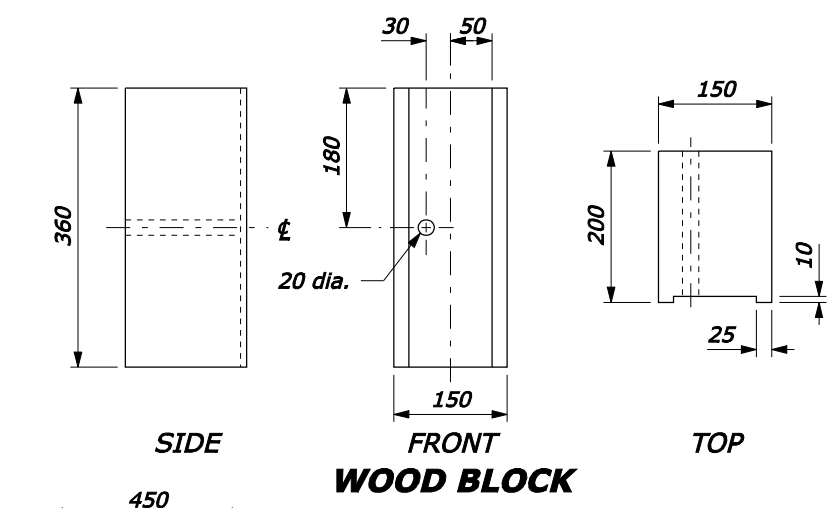
GUARDRAIL BOLT AND RECESS NUT



M16 RECESS NUT

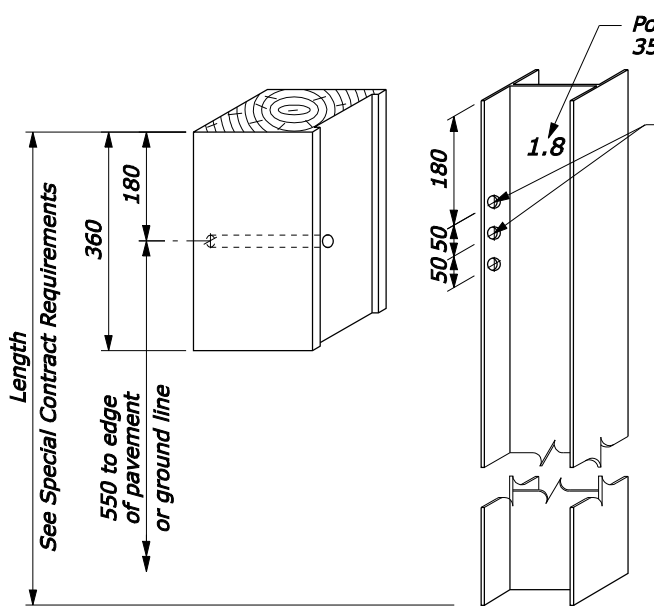


CONCRETE ANCHOR FOR SHORT GUARDRAIL POST
(See Note 1 and 2)

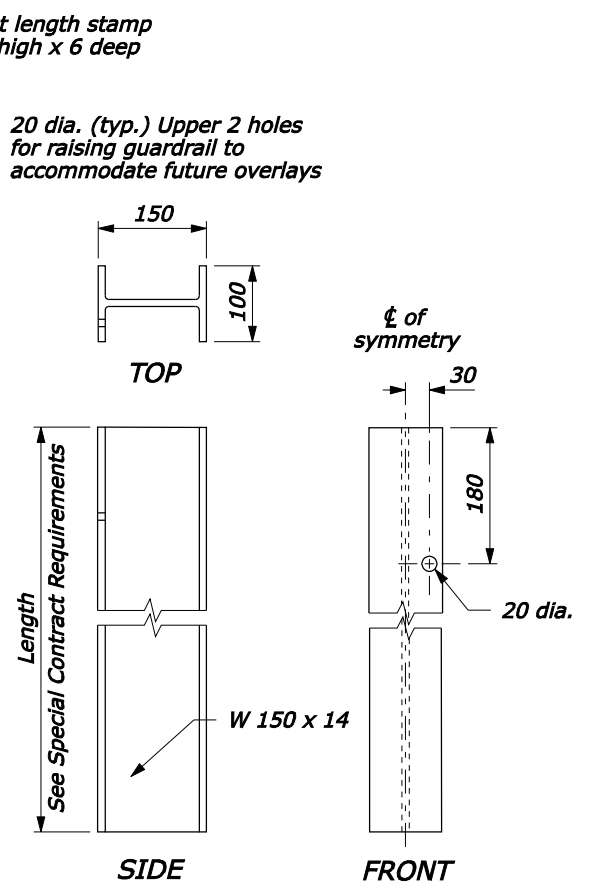


WOOD BLOCK

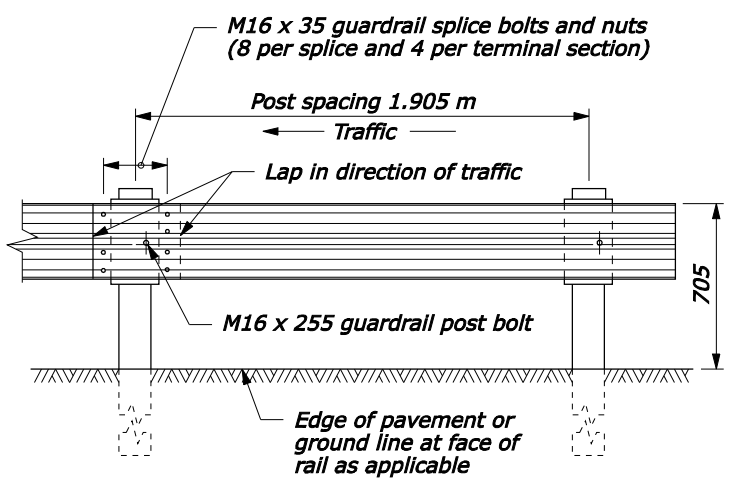
Use 500 diameter round anchor or 450 square anchor. Reduced size acceptable in solid rock.



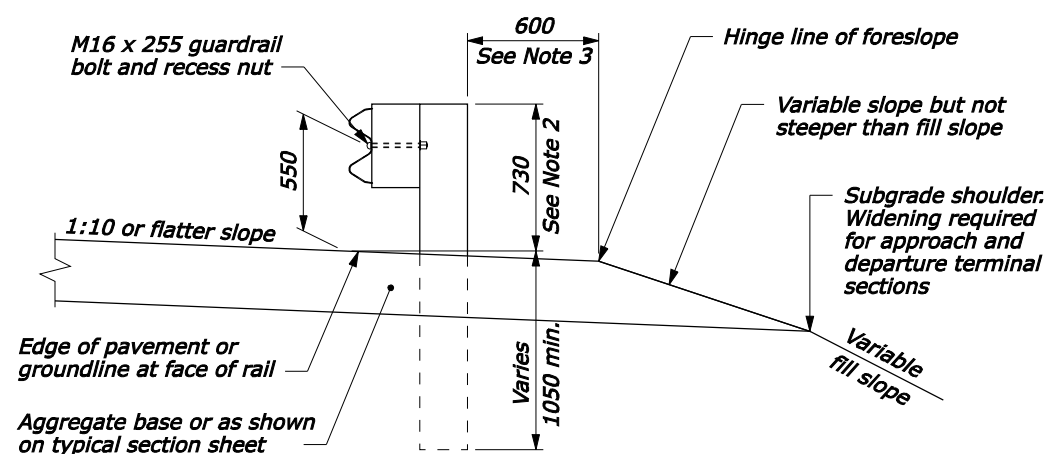
ALTERNATE HOLE ARRANGEMENT POST AND BLOCK DETAIL



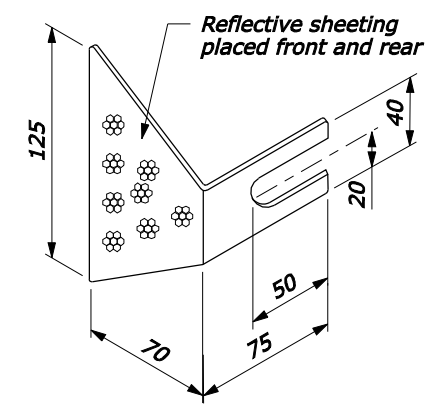
STRUCTURAL SHAPE POST



POST SPACING STANDARD POST SECTION



TYPICAL GUARDRAIL CROSS SECTION



REFLECTOR TAB
(See Note 4)

NO SCALE

NOTE:

1. Use no more than 3 short guardrail posts in a row.
2. If directed to use alternate hole arrangement, post above ground shall be 840 mm tall.
3. See Special Contract Requirements when 2.1 m or longer posts are specified.
4. Install reflector tab between post bolt and rail, every fourth post. Alternate reflector tab shapes are acceptable.
5. Dimensional tolerances not shown or implied are intended to be those consistent with the proper functioning of the part, including its appearance, and accepted manufacturing practices.
6. Furnish hardware in the metric sizes shown. Equivalent US Customary sizes may be used when metric sizes are unavailable.
7. Dimensions without units are millimeters.

U.S. DEPARTMENT OF TRANSPORTATION
FEDERAL HIGHWAY ADMINISTRATION
FEDERAL LANDS HIGHWAY
METRIC STANDARD

**G4 W-BEAM GUARDRAIL
STEEL POSTS**

STANDARD APPROVED FOR USE 3/1996
REVISED: 6/1997 12/1998 6/2005
DRAFT: 3/2007

STANDARD
M617-11

12-Mar-2007 06:46 AM F:\StandDraw\std61711.dgn [Metric]