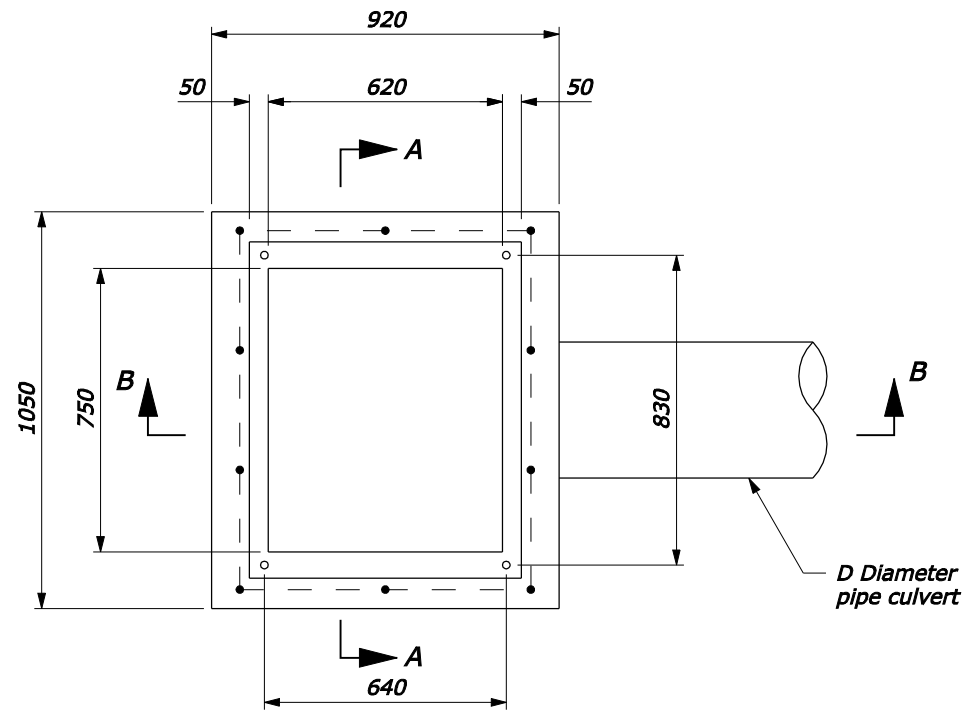


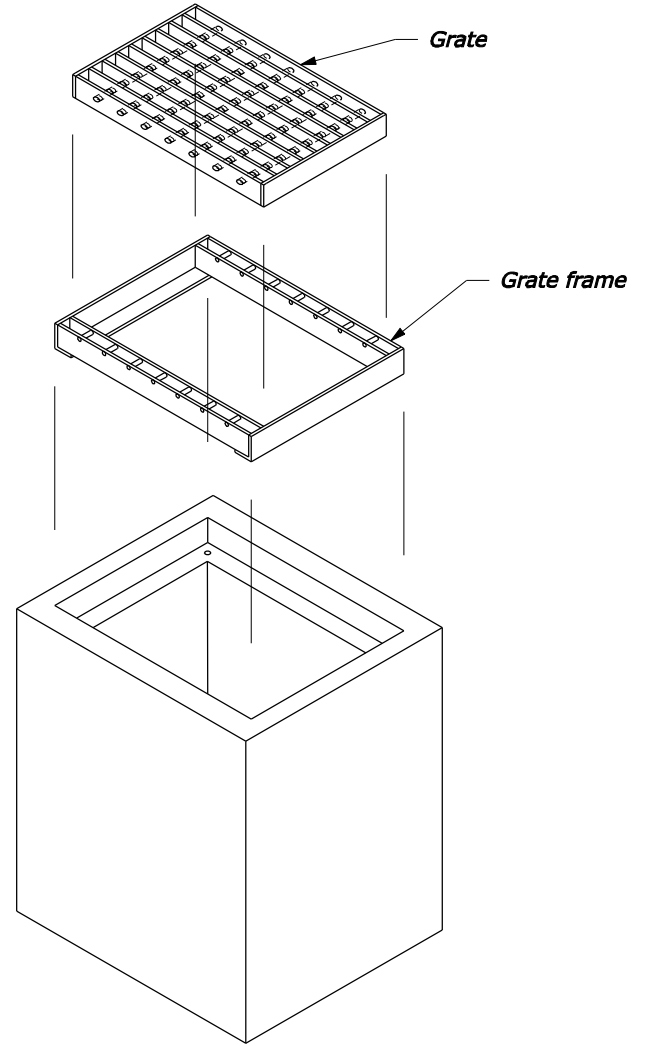
**DETAIL A**



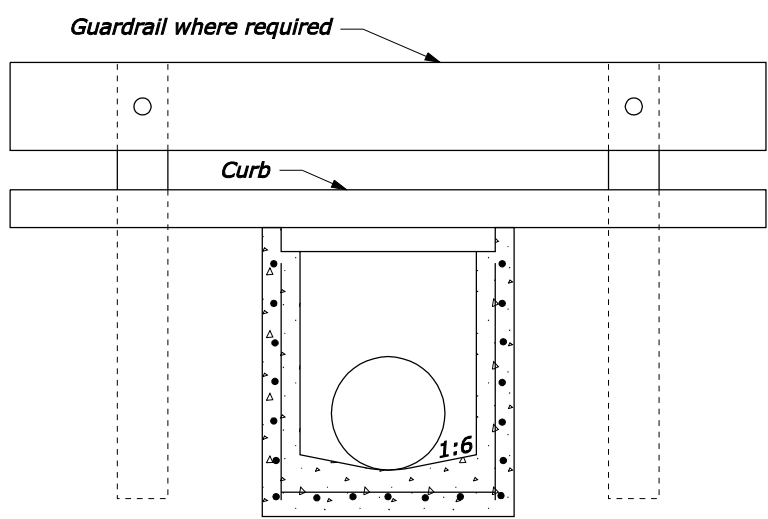
**PLAN**

**NOTE:**

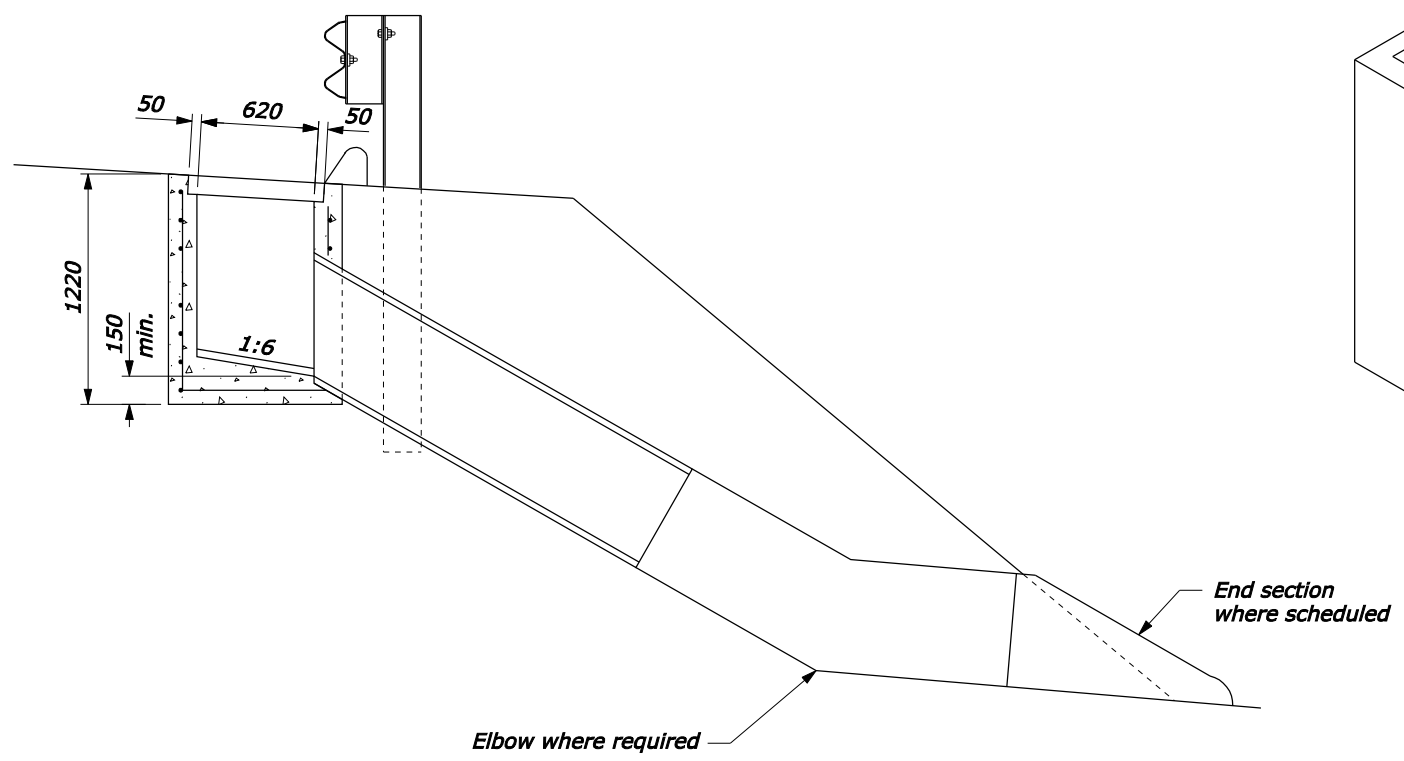
1. All reinforcing bars are #16 placed a minimum 40 mm clear from face of concrete. In floors, place bars on 150 mm centers each way. In walls, place horizontal bars in 150 mm centers and vertical bars on 300 mm centers.
2. Curb shape shown for illustration only. Actual curb shape and dimensions are shown in the plans.
3. See Standard M604-6 for Frame and Grate Details.
4. If guardrail post location results in guardrail penetrating the culvert, eliminate the post and place additional nested W-beam rail sections per Standard M617-24.
5. Dimensions without units are millimeters.



**ISOMETRIC VIEW**



**SECTION A-A**



**SECTION B-B**

NO SCALE

U.S. DEPARTMENT OF TRANSPORTATION FEDERAL HIGHWAY ADMINISTRATION FEDERAL LANDS HIGHWAY	
METRIC STANDARD	
<b>INLET TYPE 5A</b>	
STANDARD APPROVED FOR USE 3/1996	STANDARD
REVISED: 5/1997 6/2005	M604-5