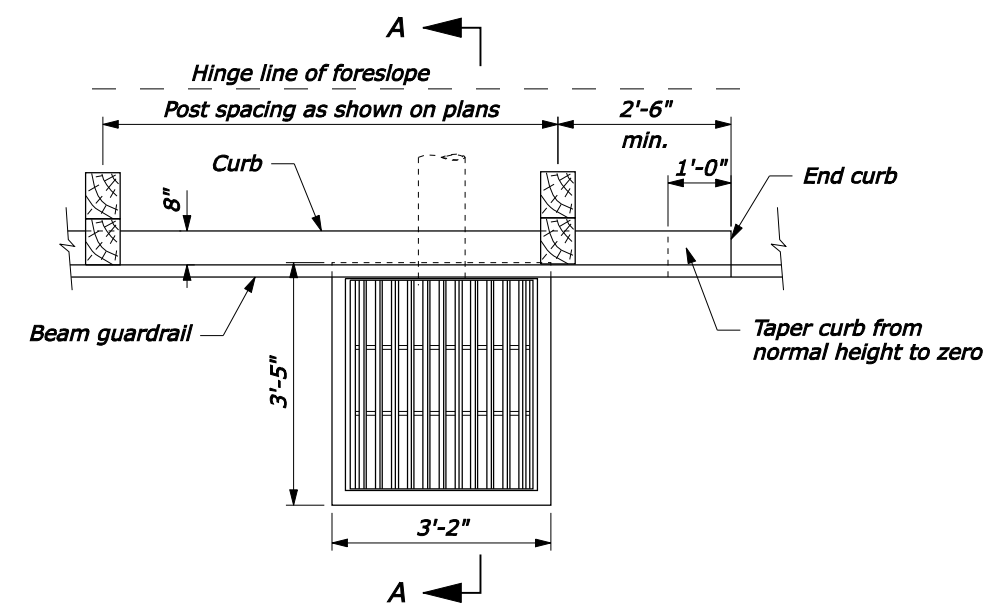


**PLAN**  
**CATCH BASIN LAYOUT AT BRIDGE ENDS**

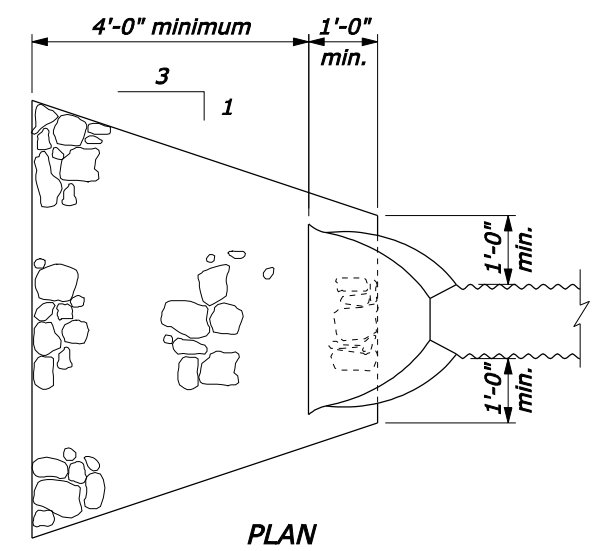
**NOTE:**

1. **CONCRETE:** Chamfer exposed edges  $\frac{3}{4}$ " unless otherwise shown. Give all concrete surfaces a Class 1 finish.
2. The minimum concrete cover to the face of any bar is  $1\frac{1}{2}$ " unless otherwise shown.
3. See Standard 604-2 for Type A Frame and Grate and Standard 604-3 for Type B Frame and Grate.
4. Make all coupling band connections watertight by placing  $\frac{3}{16}$ " bead of approved caulking under each half of the bands before tightening.
5. Fabricate tapered portion of slip-joint from either flat or corrugated sheets.
6. Place Class 2 riprap conforming to Section 251 for protective apron.

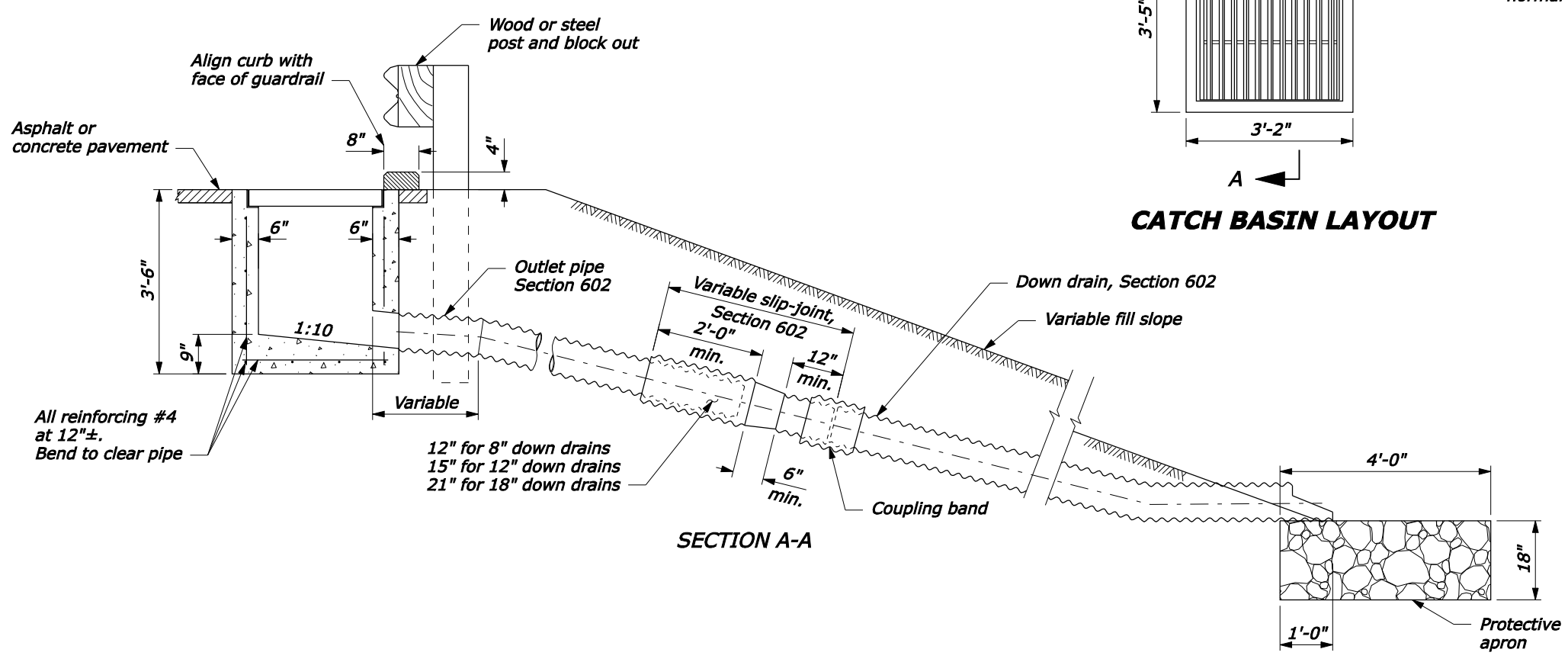
DESCRIPTION	FRAME AND GRATE	
	TYPE A	TYPE B
Reinforcing Steel	70 lb	70 lb
Structural Steel	215 lb	238 lb
Concrete	0.85 cu yd	0.85 cu yd



**CATCH BASIN LAYOUT**



**PLAN**  
**PROTECTIVE APRON**



**SECTION A-A**

NO SCALE

U.S. DEPARTMENT OF TRANSPORTATION FEDERAL HIGHWAY ADMINISTRATION FEDERAL LANDS HIGHWAY	
U.S. CUSTOMARY STANDARD <b>CATCH BASIN</b> <b>TYPE 2</b> <b>WITH DOWN DRAIN</b>	
STANDARD APPROVED FOR USE 6/2005	STANDARD 604-4
REVISED:	

01-Nov-2007 09:14 PM  
 P:\198.145.186.2\std. plan\std604.dgn [US Customary]