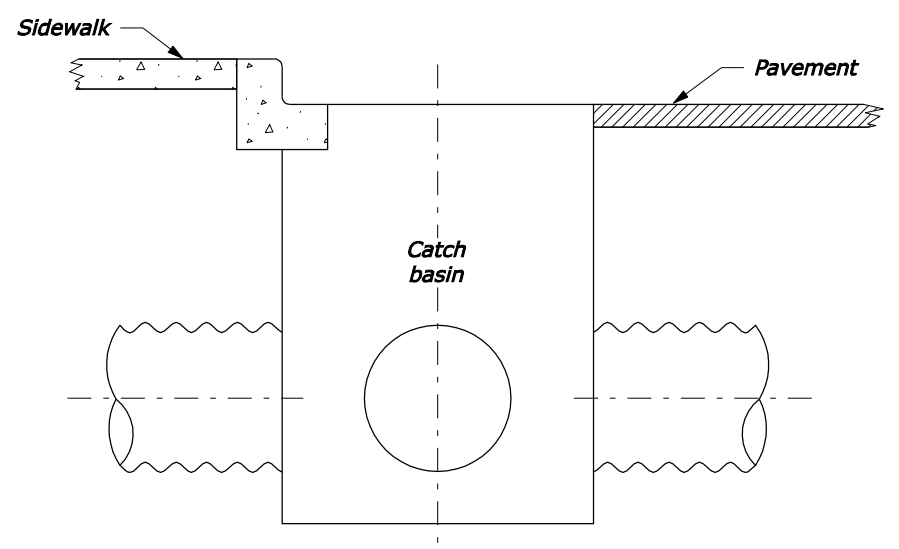
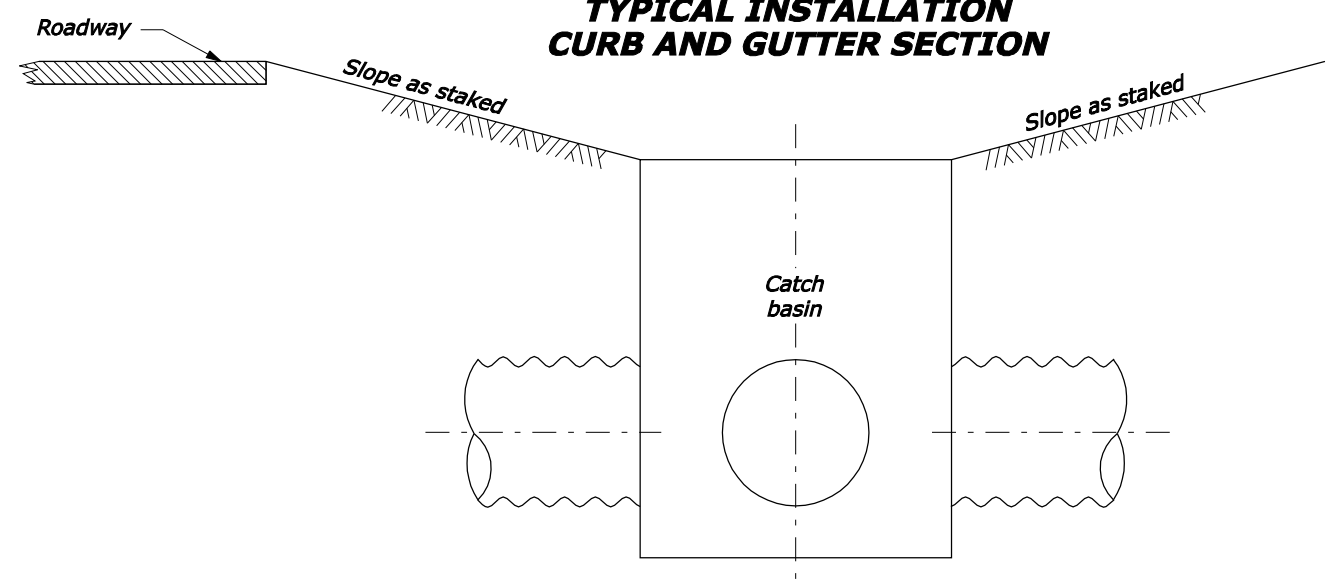


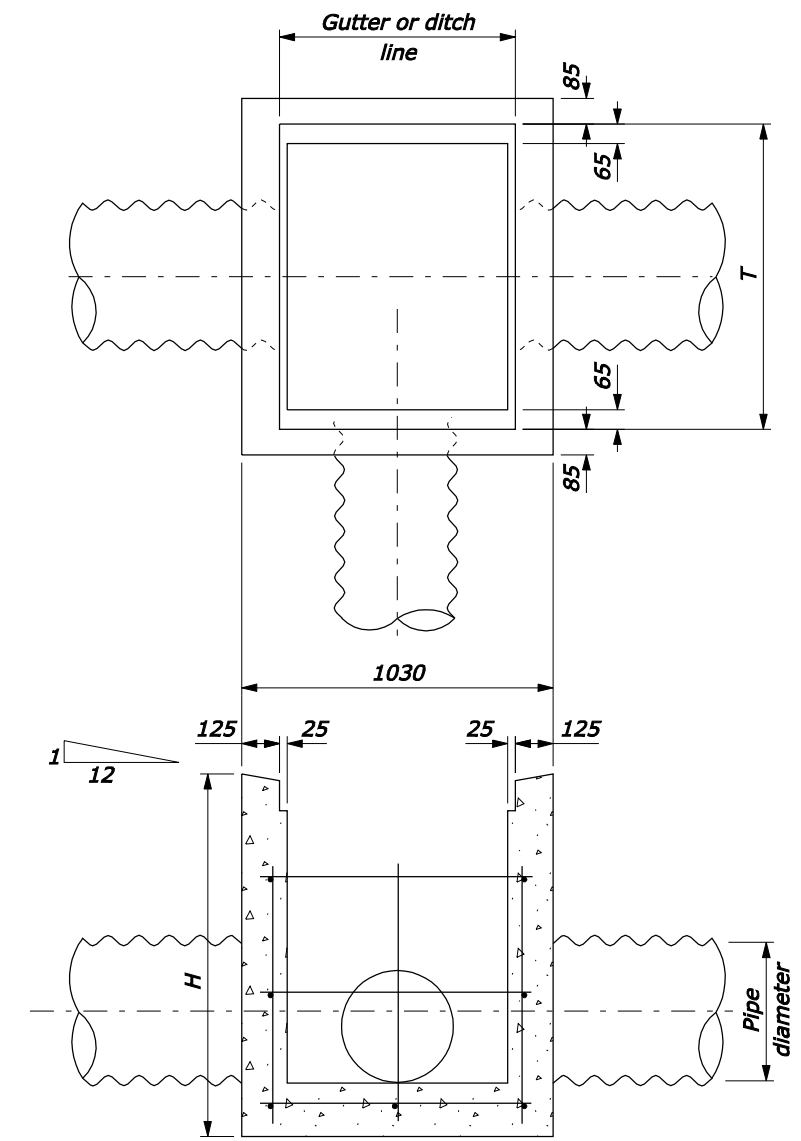
**TYPICAL INSTALLATION
CURB SECTION**



**TYPICAL INSTALLATION
CURB AND GUTTER SECTION**



**TYPICAL INSTALLATION
DITCH SECTION**



All reinforcing steel #13 at 300 mm±. Bend to clear pipe

INLET DETAIL

NOTE:

1. CONCRETE: Chamfer exposed edges 20 mm unless otherwise shown. Give all concrete surfaces a Class 1 finish.
2. The minimum concrete cover to the face of any bar is 50 mm unless otherwise shown.
3. See Standard M604-2 for Type A Frame and Grate and Standard M604-3 for Type B Frame and Grate.
4. Dimensions without units are millimeters.

PIPE SIZE DIAMETER	DEPTH H	FRAME AND GRATE T	
		TYPE A	TYPE B
		300	900
450	900	780	780
600	1200	1010	1020
750	1200	1240	1260
900	1350	1470	1500
1050	1500	1700	1680
1200	1650	1930	1920

PIPE SIZE DIAMETER	ESTIMATED QUANTITIES			
	CONCRETE m³	REINFORCING STEEL kg	FRAME AND GRATE kg	
			TYPE A	TYPE B
300	0.6	24	98	108
450	0.6	24	98	108
600	0.8	37	123	142
750	0.9	42	148	177
900	1.2	46	174	211
1050	1.4	59	199	263
1200	1.7	68	225	297

NO SCALE

U.S. DEPARTMENT OF TRANSPORTATION
FEDERAL HIGHWAY ADMINISTRATION
FEDERAL LANDS HIGHWAY

METRIC STANDARD

**CATCH BASIN
TYPE 1**

STANDARD APPROVED FOR USE 3/1996
REVISED: 5/1997 6/2005

STANDARD M604-1