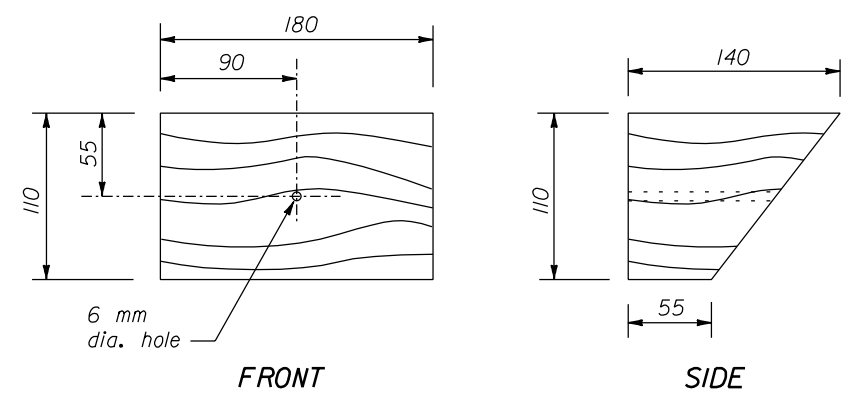
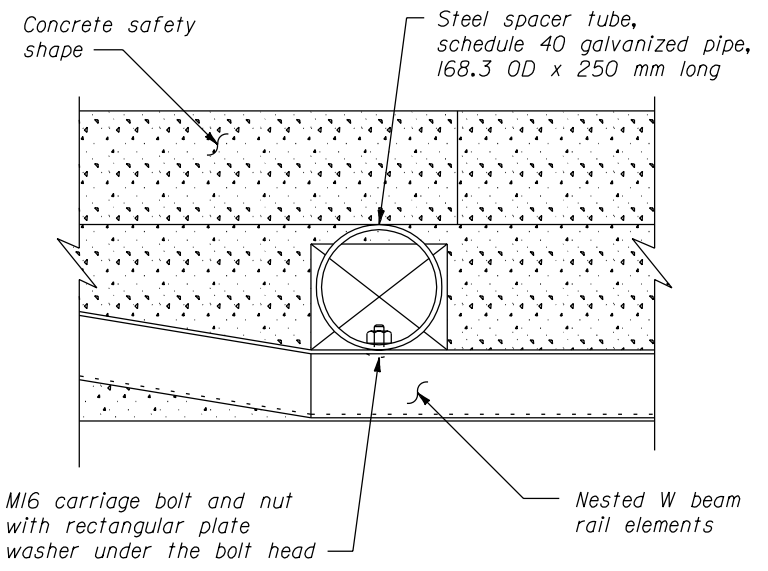


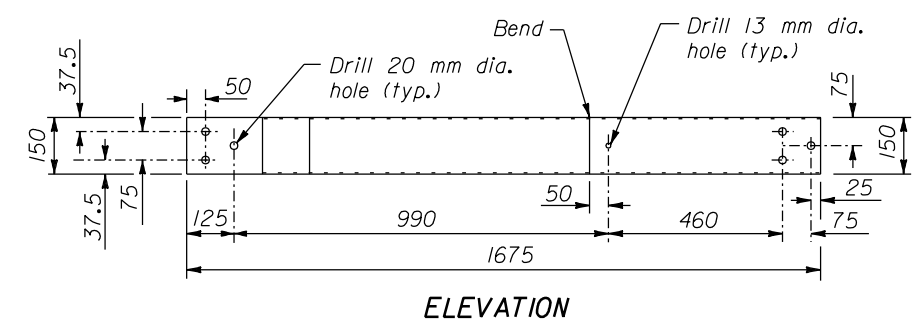
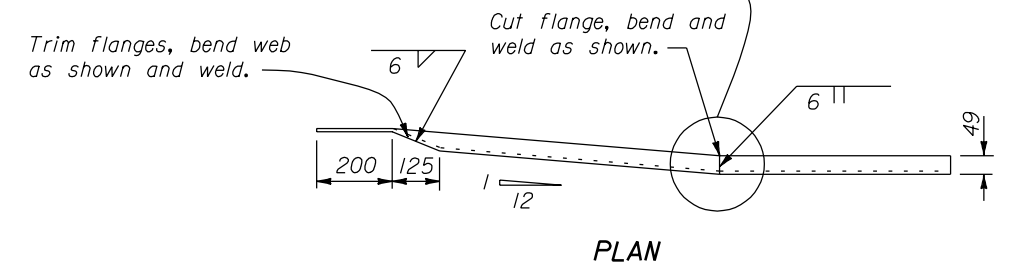
BENT PLATE RUBRAIL



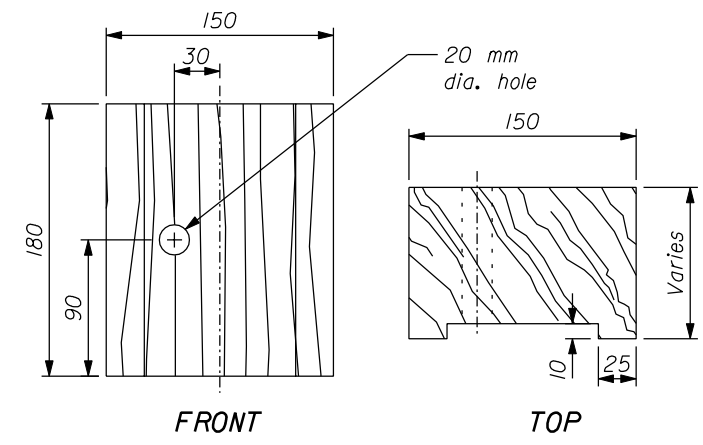
WOOD BLOCKOUT FOR RUBRAIL ON CONCRETE SAFETY SHAPE



STEEL SPACER BLOCK



C150 X 12.2 RUBRAIL



WOOD BLOCKOUT FOR RUBRAIL ON STEEL POSTS

NOTE:

1. Dimensions not labeled are in millimeters.
2. Attach rubrail end flush with sloped toe of safety shape. Shop fabricate the C150 x 12.2 rubrail end to be consistent with the slope of safety shape. Both clockwise and counterclockwise fabrications may be required.
3. Dimensional tolerances not shown or implied are intended to be those consistent with the proper functioning of the part, including its appearance, and accepted manufacturing practices.

U.S. DEPARTMENT OF TRANSPORTATION
FEDERAL HIGHWAY ADMINISTRATION
FEDERAL LANDS HIGHWAY

METRIC STANDARD
**G4 W BEAM GUARDRAIL
CONNECTION TO STRUCTURE
SAFETY SHAPE FACE
RUBRAIL**

STANDARD APPROVED FOR USE 3/1996
REVISED: 1/1998

STANDARD
M617-29

NO SCALE

22 NOV 2000 f:\standrow\metric\m61729.dgn