

Section 4

Design Guide Plates and Data Sheets

General Rooms

GUIDE PLATE
SERIES

- 4-1 Veterinarian Office
Equipment and Utility Plan
Design Standards
Equipment Guide List

- 4-2 Secretary Office
Equipment and Utility Plan
Design Standards
Equipment Guide List

- 4-3 Locker, Toilet and Shower Room
Equipment and Utility Plan
Design Standards
Equipment Guide List

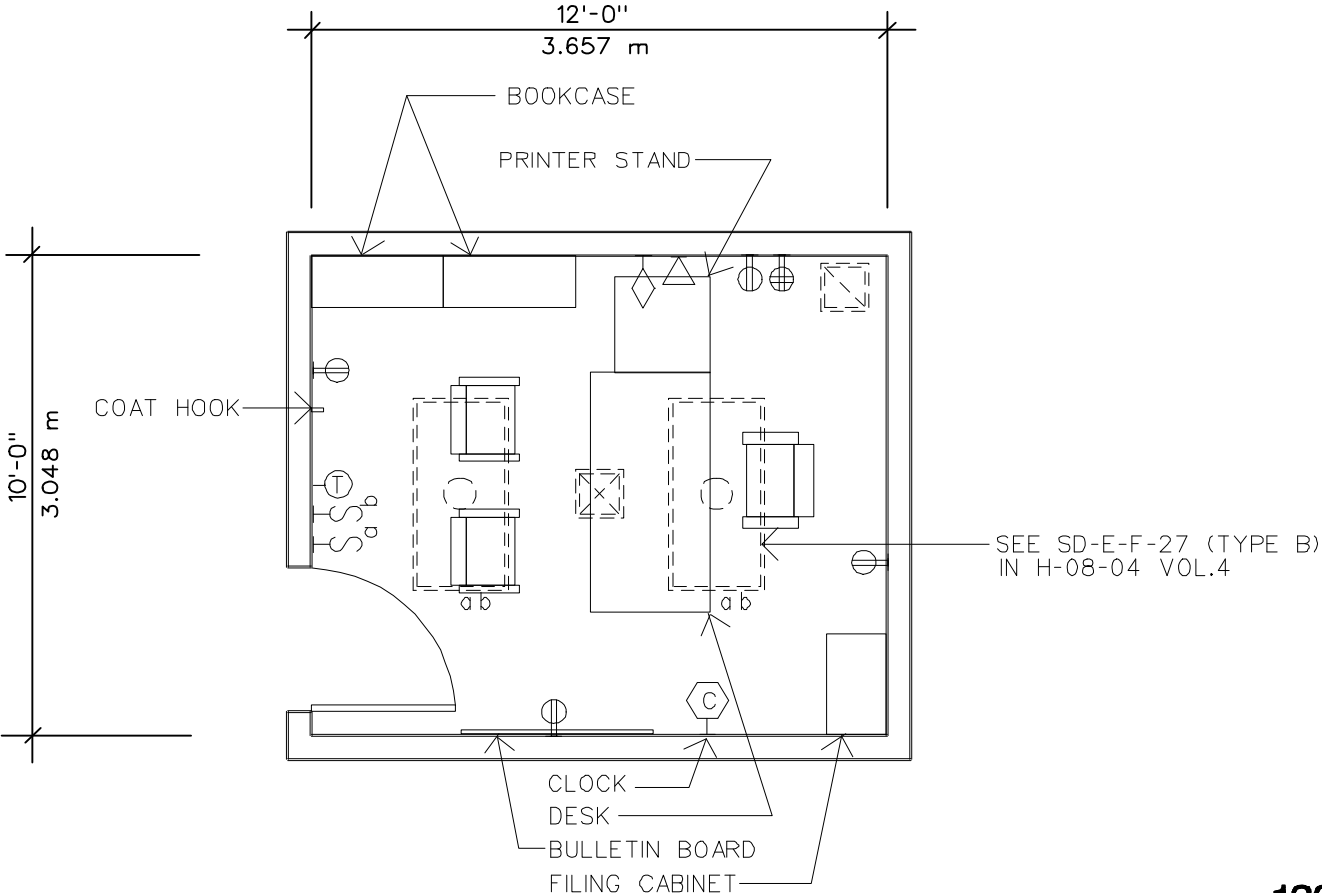
- 4-4 Housekeeping Aides Closet
Equipment and Utility Plan
Design Standards
Equipment Guide List

GUIDE PLATE
SERIES

- 4-5 Cold Room
Equipment and Utility Plan
Design Standards
Equipment Guide List

- 4-6 Equipment Storage
Equipment and Utility Plan
Design Standards
Equipment Guide List

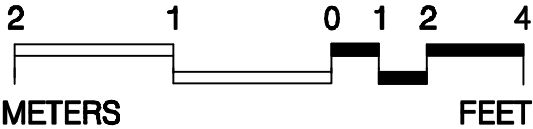
- 4-7 Incinerator Room
Equipment and Utility Plan
Design Standards
Equipment Guide List



NOTE: SUPERVISOR OFFICE HAS THE SAME PLAN AND FURNITURE WITH THE SAME DIMENSIONS (INCLUDE A DRY ERASE BOARD BEHIND DESK IN SUPERVISOR'S OFFICE)

120 NSF
11.148 m²

Veterinarian Office



Equipment & Utility Plan

Veterinarian Office

Design Standards

ARCHITECTURAL

Floor Area	120 NSF	Wall Finish	GWB-W
Ceiling	AT	Wainscot	-
Ceiling Height	9'-0"	Base	RB
Slab Depression	-	Floor Finish	CP
Notes:		Lead Lining	-

SPECIAL EQUIPMENT

NONE

ELECTRICAL

Lighting

General	70 FC, 3.5 W/SF
Special	-
Emergency	-

Notes:

Power

General	1000 W*
Special	-
Emergency	-

*INCLUDE COMPUTER EQUIPMENT AT 60% PF

COMMUNICATIONS

Telephone	DESK TYPE	ADP	-
Intercom	-	Radio	-
Public Address	-	Other	-

Notes:

HEATING, VENTILATING AND AIR CONDITIONING

AC Load Lights	3.3 W/SF
AC Load Equipment	2.3 W/SF
Number of People	2
Noise Criteria	NC-40
Room Pressure	(0)
Dry Bulb Temp Cooling (F)	78
Dry Bulb Temp Heating (F)	72
Minimum Air Changes per Hour	-
Minimum % Outside Air	100
100% Exhaust Air	YES
Special Exhaust	-
Steam	-
Relative Humidity - Cooling	50 %
Relative Humidity - Heating	30 %

Notes:

PLUMBING AND MEDICAL GASES

Sanitary Drain	-	Cold Water	-
Acid Waste	-	Hot Water	-
Silver Recovery	-	Reagent Water	-
Medical Air	-	Laboratory Air	-
Medical Vacuum	-	Laboratory Vacuum	-
Oxygen	-	Fuel Gas	-
Nitrous Oxide	-	Anesthesia Evac	-

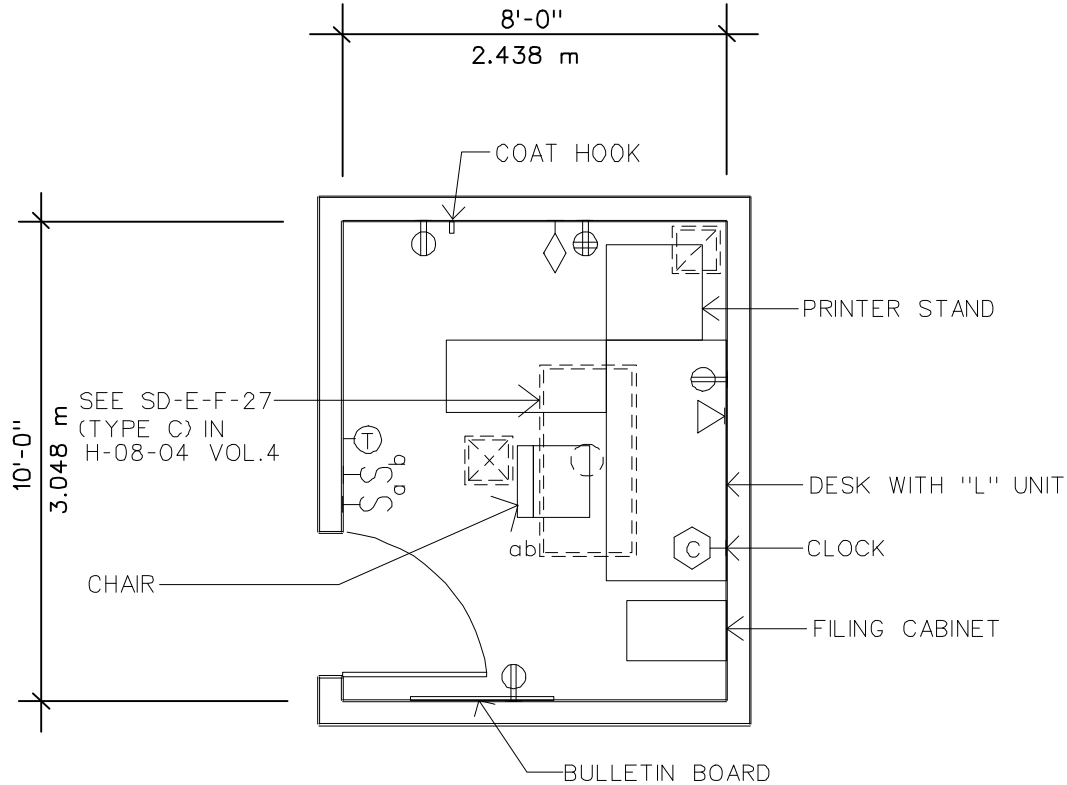
Notes:

26 February 1993

Veterinarian Office

Equipment Guide List

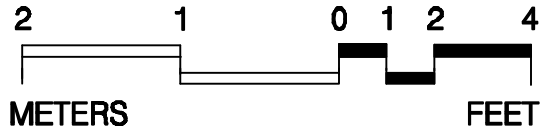
SYMBOL	QTY	AI	DESCRIPTION
	1	VV	DESK, DOUBLE PEDESTAL, APPROX., 60"W X 30"D X 29-1/2"H
	1	VV	CHAIR, ROTARY, WITH ARMS
	3	VV	CHAIR, STRAIGHT, WITH ARMS
	2	VV	BOOKCASE, SECTIONAL (EACH SECTION, 33"W X 13"D X 15"H) WITH 10"H BASE
	1	VV	HOOK, COAT, WALL MOUNTED
AR	VV	VV	CABINET, FILING (LETTER SIZE) 5 DRAWER, APPROX. 15"W X 25"D X 60"H
	1	VV	BULLETIN BOARD, 48"W X 36"H
	1	VV	CRT, COMPUTER SYSTEM, WITH KEYBOARD
	1	VV	PRINTER, COMPUTER SYSTEM
	1	VV	STAND, COMPUTER PRINTER, APPROX. 24"W X 24"D X 26"H
	1	CC	RECEPTACLE, ELECTRICAL, QUADRAPLEX, FOR COMPUTER EQUIPMENT ITEMS (H-08-1, MCS 16140; H-08-3, CS 866-1)
	1	VV	CLOCK, BATTERY OPERATED
AR	CC	CC	RECEPTACLE, ELECTRICAL, DUPLEX, 120 VOLT, 20 AMP (H-08-1, MCS 16140; H-08-3, CS 801-3)



80 NSF
7.432 m²

NOTE: IT IS POSSIBLE TO COMBINE THE SECRETARY AND SUPERVISOR OFFICE AREAS INTO ONE OFFICE WITH CUBICLE PARTITIONS.

Secretary Office



Equipment & Utility Plan

Secretary Office

Design Standards

ARCHITECTURAL

Floor Area	80 NSF	Wall Finish	GWB
Ceiling	AT	Wainscot	-
Ceiling Height	9'-0"	Base	RB
Slab Depression	-	Floor Finish	CP
Notes:		Lead Lining	-

SPECIAL EQUIPMENT

NONE

ELECTRICAL

Lighting

General	70 FC, 4.0 W/SF
Special	-
Emergency	-
Notes:	

Power

General	700 W
Special	-
Emergency	-

COMMUNICATIONS

Telephone	YES	ADP	-
Intercom	-	Radio	-
Public Address	-	Other	-
Notes:			

HEATING, VENTILATING AND AIR CONDITIONING

AC Load Lights	3.8 W/SF
AC Load Equipment	3.4 W/SF
Number of People	1
Noise Criteria	NC-40
Room Pressure	(0)
Dry Bulb Temp Cooling (F)	78
Dry Bulb Temp Heating (F)	72
Minimum Air Changes per Hour	-
Minimum % Outside Air	100
100% Exhaust Air	YES
Special Exhaust	-
Steam	-
Relative Humidity - Cooling	50 %
Relative Humidity - Heating	30 %
Notes:	

PLUMBING AND MEDICAL GASES

Sanitary Drain	-	Cold Water	-
Acid Waste	-	Hot Water	-
Silver Recovery	-	Reagent Water	-
Medical Air	-	Laboratory Air	-
Medical Vacuum	-	Laboratory Vacuum	-
Oxygen	-	Fuel Gas	-
Nitrous Oxide	-	Anesthesia Evac	-
Notes:			

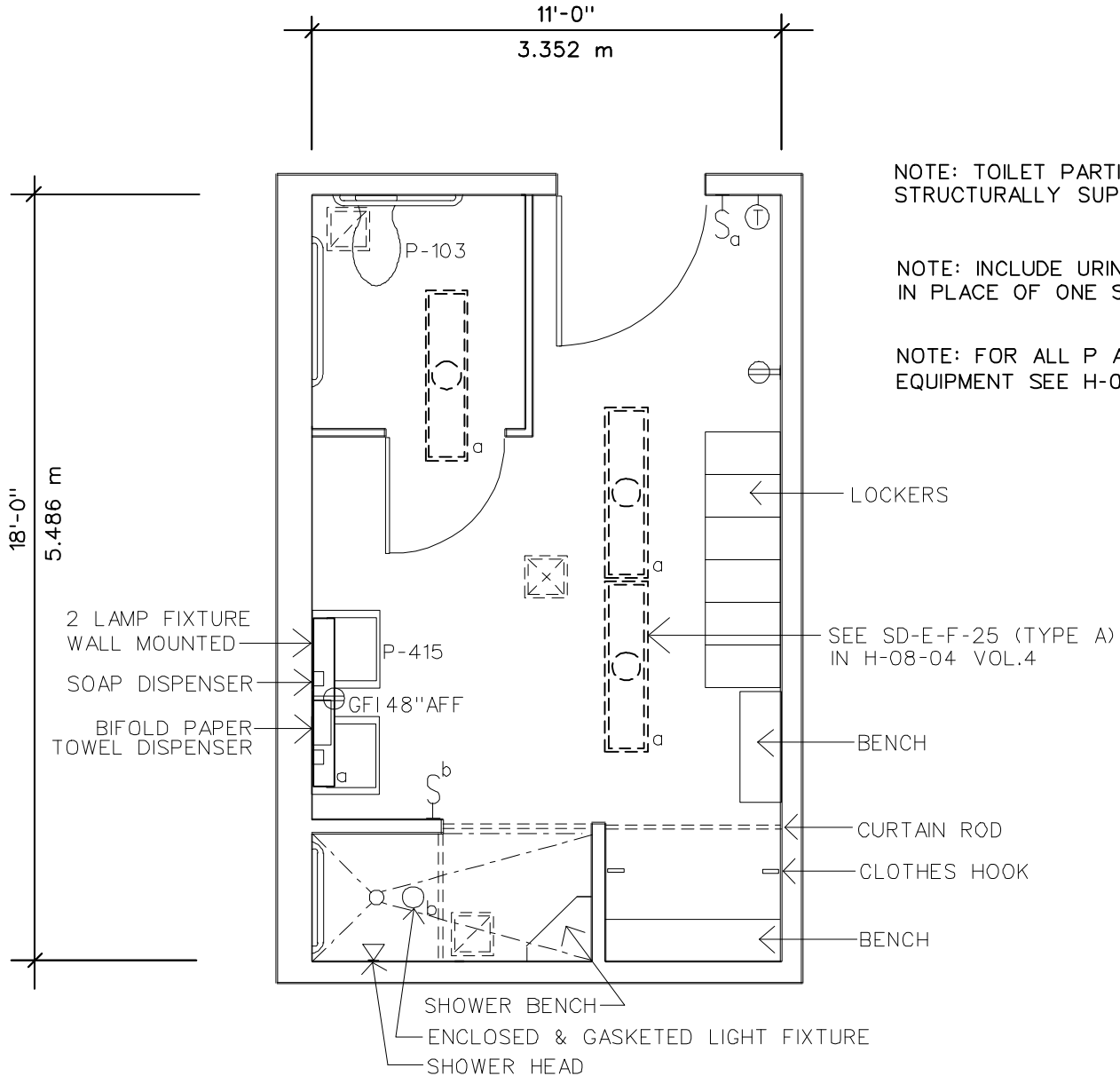
26 February 1993

Secretary Office

Equipment Guide List

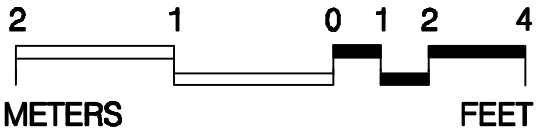
SYMBOL	QTY	AI	DESCRIPTION
	1	VV	DESK, RIGHT OR LEFT, SINGLE PEDESTAL, 60"W X 30"D X 29-1/2"H, L UNIT ATTACHMENT AT TYPEWRITER HEIGHT, 40"W X 18"D X 26"H
	1	VV	CHAIR, ROTARY, WITHOUT ARMS
AR		VV	CHAIR, STRAIGHT, WITH ARMS
	1	VV	CABINET, FILING (LETTER SIZE) 5 DRAWER, APPROX. 15"W X 25"D X 60"H
	1	VV	BULLETIN BOARD, APPROX. 36"W X 36"H
	1	VV	HOOK, COAT, WALL MOUNTED
	1	VV	CRT, COMPUTER SYSTEM, WITH KEYBOARD
	1	VV	PRINTER, COMPUTER SYSTEM
	1	VV	STAND, COMPUTER PRINTER, APPROX. 24"W X 24"D X 26"H
	1	CC	RECEPTACLE, ELECTRICAL, QUADRAPLEX, FOR COMPUTER EQUIPMENT ITEMS (H-08-1, MCS 16140; H-08-3, CS 866-1)
	1	VV	CLOCK, BATTERY OPERATED
AR		CC	RECEPTACLE, ELECTRICAL, DUPLEX, 120 VOLT, 20 AMP (H-08-1, MCS 16140; H-08-3, CS 801-3)

26 February 1993



198 NSF
18.394 m²

Lockers, Toilet, and Shower Room



Equipment & Utility Plan

Locker, Toilet And Shower Room

Design Standards

ARCHITECTURAL

Floor Area	198 NSF	Wall Finish	CT
Ceiling	PCP	Wainscot	-
Ceiling Height	9'-0"	Base	CT
Slab Depression	-	Floor Finish	CT
Notes:		Lead Lining	-

SPECIAL EQUIPMENT

NONE

ELECTRICAL

Lighting

General	30 FC, 2.0 W/SF
Special	-
Emergency	-
Notes:	

Power

General	360 W
Special	-
Emergency	-

COMMUNICATIONS

Telephone	-	ADP	-
Intercom	-	Radio	-
Public Address	-	Other	-
Notes:			

HEATING, VENTILATING AND AIR CONDITIONING

AC Load Lights	2.6 W/SF
AC Load Equipment	0.9 W/SF
Number of People	3
Noise Criteria	NC-50
Room Pressure	NEGATIVE
Dry Bulb Temp Cooling (F)	78
Dry Bulb Temp Heating (F)	78
Minimum Air Changes per Hour	10 (EA)
Minimum % Outside Air	100
100% Exhaust Air	YES
Special Exhaust	-
Steam	-
Relative Humidity - Cooling	- %
Relative Humidity - Heating	- %
Notes:	

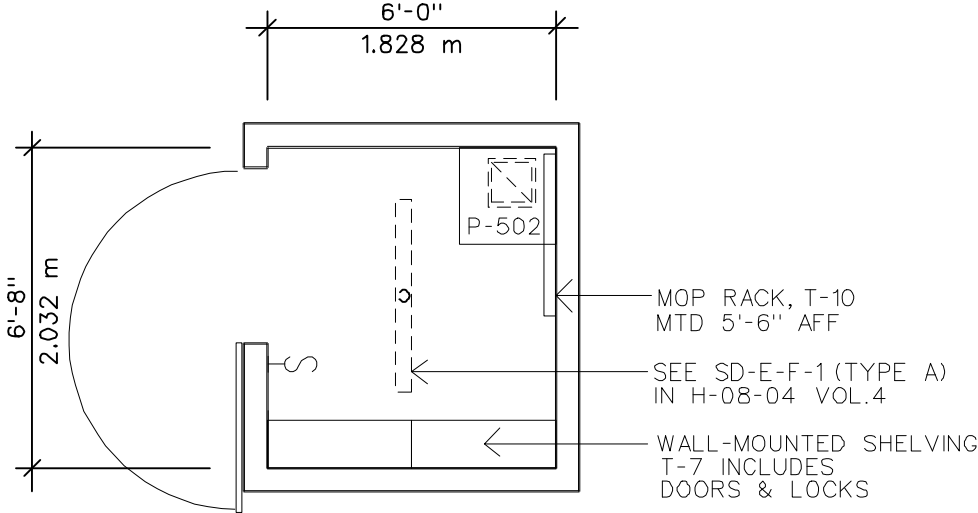
PLUMBING AND MEDICAL GASES

Sanitary Drain	YES	Cold Water	YES
Acid Waste	-	Hot Water	YES
Silver Recovery	-	Reagent Water	-
Medical Air	-	Laboratory Air	-
Medical Vacuum	-	Laboratory Vacuum	-
Oxygen	-	Fuel Gas	-
Nitrous Oxide	-	Anesthesia Evac	-
Notes:			

Locker, Toilet and Shower Room

Equipment Guide List

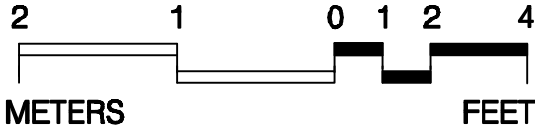
SYMBOL	QTY	AI	DESCRIPTION
			NOTE: THE QUANTITY OF FIXED EQUIPMENT, INCLUDING PLUMBING FIXTURES SHALL BE AS INDICATED FOR THE INDIVIDUAL PROJECTS IN ACCORDANCE WITH H-08-9, CHAPTER 278.
			LOCKERS
T-B	AR	CC	LOCKER, STEEL, SLOPING TOP, 12"W X 21"D X 72"H (H-08-1, MCS 10500; H-08-4, SD 61)
	AR	CC	BENCH, WALL HUNG (H-08-1, MCS 06200)
			-OR-
	AR	CC	BENCH, FIXED TYPE, FLOOR MOUNTED (H-08-1, MCS 06200)
	AR	CC	RECEPTACLE, ELECTRICAL, DUPLEX, 120 VOLT, 20 AMP (H-08-1, MCS 16140; H-08-3, CS 801-3)
P-103	AR	CC	WATER CLOSET, WALL HUNG (H-08-1, MCS 15450; H-08-4, SD 4)
	AR	CC	ENCLOSURE, TOILET, CEILING HUNG (H-08-1, MCS 10162; H-08-3, CD 13; H-08-4, SD 12)
	AR	CC	DISPENSER, TOILET TISSUE, DOUBLE ROLL (H-08-1, MCS 10800; H-08-4, SD 12)
	AR	CC	BAR, GRAB FOR WATER CLOSET (H-08-1, MCS 10800; H-08-4, SD 12, 14B & 14F)
P-415	AR	CC	LAVATORY, STRAIGHT BACK (H-08-1, MCS 15450; H-08-4, SD 53)
	AR	CC	MIRROR, 16" X 20", WITH INTEGRAL SHELF, OVER LAVATORY (H-08-1, MCS 10800; H-08-4, SD 15)
	AR	VV	DISPENSER, BIFOLD PAPER TOWEL, SURFACE MOUNTED
	AR	VV	RECEPTACLE, WASTE, APPROX. 16" X 16"
	AR	CC	RECEPTACLE, ELECTRICAL, DUPLEX, 120 VOLT, 20 AMP, WITH GROUND FAULT INTERRUPTER, ADJACENT TO LAVATORY (H-08-1, MCS 16140; H-08-3, CS 801-3)
	AR	CC	STALL, SHOWER, 48"W X 46-3/4"D (H-08-1, MCS 10170; H-08-4, SD 13)
P-702	AR	CC	SHOWER, BATH FIXTURE, WALL MOUNTED, CONCEALED SUPPLIES (H-08-1, MCS 15450; H-08-4, SD 13A)
	AR	CC	DISH, SOAP, RECESSED (H-08-1, MCS 10800)
	AR	CC	HOOK, TOWEL (H-08-1, MCS 10800)
	AR	CC	ROD, CURTAIN, TUB OR SHOWER (H-08-1, MCS 10800)
	AR	VV	CURTAIN, CUBICLE
	AR	CC	CUBICLE, DRESSING, WITH CLOTHES HOOK, CURTAIN ROD AND BENCH (H-08-1, MCS 06200, 10170 & 10800)
	AR	VV	CURTAIN, FOR DRESSING BOOTH
			NOTE: ADD THE FOLLOWING FOR TOILET AND SHOWER, MALE:
P-201	AR	CC	URINAL, WALL HUNG (H-08-1, MCS 15450; H-08-4, SD 4)
	AR	CC	SCREEN, URINAL (H-08-1, MCS 10162; H-08-4, SD 12)



NOTE: FOR ALL P AND T EQUIPMENT SEE H-08-04 VOL.1

40 NSF
3.716 m²

Housekeeping Aides Closet



Equipment & Utility Plan

Housekeeping Aides Closet

Design Standards

ARCHITECTURAL

Floor Area	40 NSF	Wall Finish	VP (SC)
Ceiling	AT (SP)	Wainscot	CT (4'-0")
Ceiling Height	9'-0"	Base	CT
Slab Depression	-	Floor Finish	CT
Notes:		Lead Lining	-

SPECIAL EQUIPMENT

NONE

ELECTRICAL

Lighting

General	10 FC, 0.5 W/SF
Special	-
Emergency	-
Notes:	

Power

General	-
Special	-
Emergency	-

COMMUNICATIONS

Telephone	-	ADP	-
Intercom	-	Radio	-
Public Address	-	Other	-
Notes:			

HEATING, VENTILATING AND AIR CONDITIONING

AC Load Lights	-
AC Load Equipment	-
Number of People	-
Noise Criteria	NC-40
Room Pressure	NEGATIVE
Dry Bulb Temp Cooling (F)	-
Dry Bulb Temp Heating (F)	-
Minimum Air Changes per Hour	10 (EA)
Minimum % Outside Air	-
100% Exhaust Air	YES*
Special Exhaust	-
Steam	-
Relative Humidity - Cooling	- %
Relative Humidity - Heating	- %

Notes:

*COORDINATE W/ARCHITECT: DOOR LOUVER OR UNDERCUT FOR (EA)

PLUMBING AND MEDICAL GASES

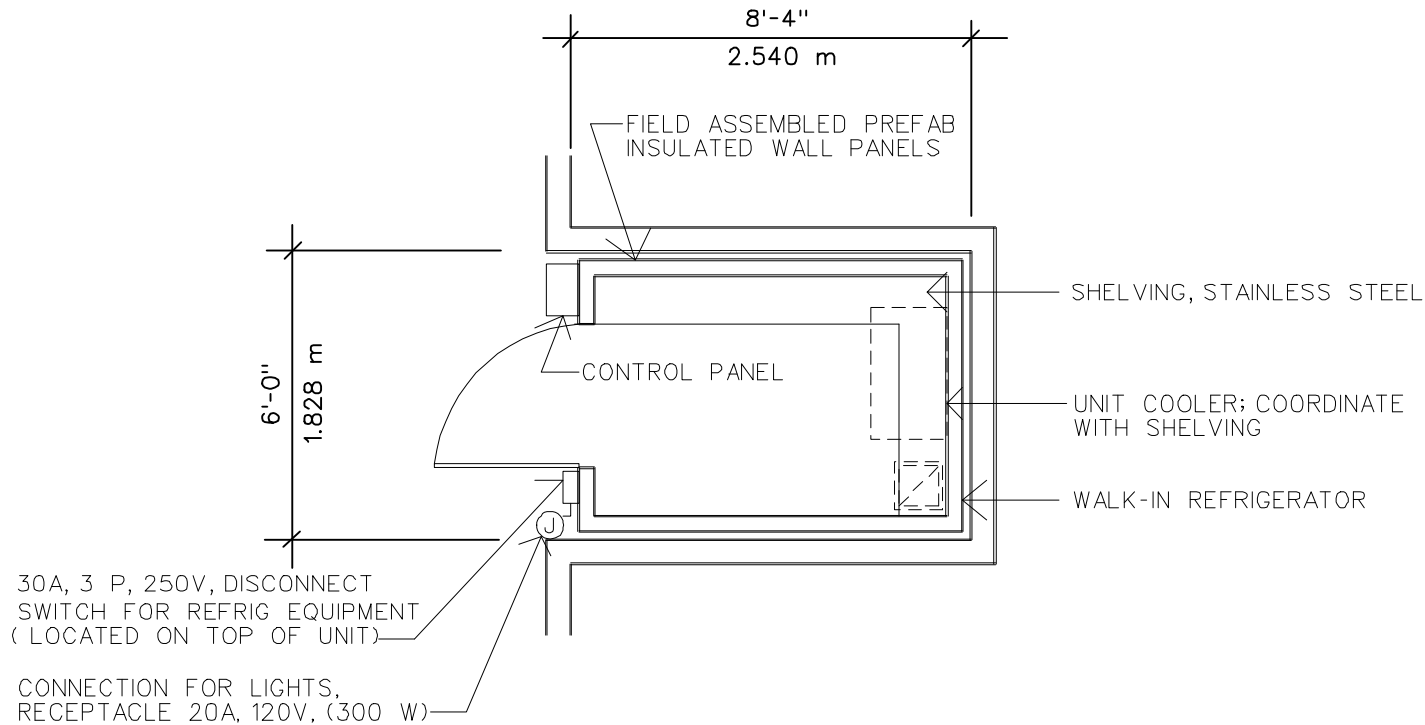
Sanitary Drain	YES	Cold Water	YES
Acid Waste	-	Hot Water	YES
Silver Recovery	-	Reagent Water	-
Medical Air	-	Laboratory Air	-
Medical Vacuum	-	Laboratory Vacuum	-
Oxygen	-	Fuel Gas	-
Nitrous Oxide	-	Anesthesia Evac	-

Notes:

Housekeeping Aides Closet

Equipment Guide List

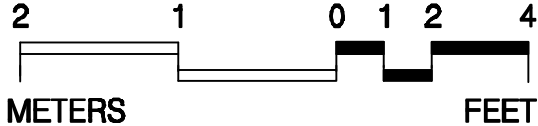
SYMBOL	QTY	AI	DESCRIPTION
P-502	1	CC	SINK, SERVICE, CORNER, FLOOR MOUNTED (H-08-1, MCS 15450; H-08-4, SD 18)
T-7	AR	CC	SHELVING, WALL HUNG, CORROSION RESISTING STEEL, TWO FIXED SHELVES, TWO DOORS WITH LOCKS, 36"W X 12"D X 48"H, 60" ABOVE FINISHED FLOOR (H-08-1, MCS 12301, H-08-4, SD 60C & 66)
T-10	1	CC	RACK, MOP, WALL MOUNTED (H-08-1, MCS 10360; H-08-4, SD 64B & 66)



NOTE: ONE OF THE TWO PREFAB COLD ROOMS USED FOR CARCASS STORAGE SHOULD HAVE DOORS TO THE NECROPSY AND THE CORRIDOR WHILE THE OTHER COLD ROOM SHOULD BE LOCATED NEAR FEED STORAGE AND DIET KITCHEN (IF PROVIDED).

$$\frac{50 \text{ NSF}}{4.645 \text{ m}^2}$$

Cold Room



Equipment & Utility Plan

Cold Room

Design Standards

ARCHITECTURAL

Floor Area	50 NSF	Wall Finish	-
Ceiling	-	Wainscot	-
Ceiling Height	-	Base	-
Slab Depression	YES	Floor Finish	-
Notes:		Lead Lining	-

PREFABRICATED, SEE H-08-3 643-1
SEE H-08-1 SECTION 13062, AND H-08-3 CS 643-1

SPECIAL EQUIPMENT

REFRIGERATION EQUIPMENT

ELECTRICAL

Lighting

General	30 FC, 1.5 W/SF
Special	-
Emergency	ALL

Notes:

Power

General	180 W
Special	*
Emergency	ALL

*REFRIGERATION EQUIPMENT: 30 A, 208 V, 3 PHASE

COMMUNICATIONS

Telephone	-	ADP	-
Intercom	-	Radio	-
Public Address	-	Other	-

Notes:

HEATING, VENTILATING AND AIR CONDITIONING

AC Load Lights	-
AC Load Equipment	-
Number of People	-
Noise Criteria	-
Room Pressure	-
Dry Bulb Temp Cooling (F)	36
Dry Bulb Temp Heating (F)	-
Minimum Air Changes per Hour	-
Minimum % Outside Air	-
100% Exhaust Air	50 CFM
Special Exhaust	-
Steam	-
Relative Humidity - Cooling	- %
Relative Humidity - Heating	- %

Notes:

LOCATE CONDENSING UNIT AND REFRIGERANT PIPING ON PLANS
SEE H-08-4, SD 655.0, 655.1, 672.0, 672.1, AND 673.8

PLUMBING AND MEDICAL GASES

Sanitary Drain	-	Cold Water	-
Acid Waste	-	Hot Water	-
Silver Recovery	-	Reagent Water	-
Medical Air	-	Laboratory Air	-
Medical Vacuum	-	Laboratory Vacuum	-
Oxygen	-	Fuel Gas	-
Nitrous Oxide	-	Anesthesia Evac	-

Notes:

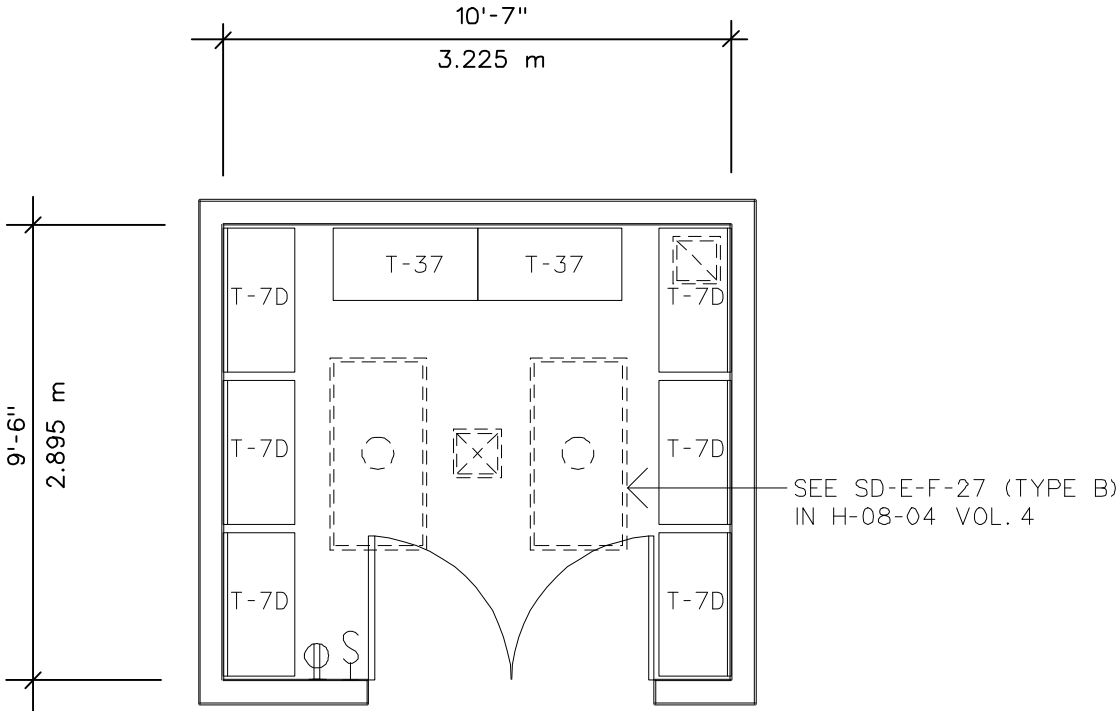
26 February 1993

Cold Room

Equipment Guide List

SYMBOL	QTY	AI	DESCRIPTION
	2	CC	WALK-IN REFRIGERATOR, PREFABRICATED SIZE AS REQUIRED (H-08-1, MCS 13062; H-08-3, CS 643-1)
	AR	CC	CONNECTIONS, PLUMBING, ELECTRICAL OR MECHANICAL AS REQUIRED
	AR	VV	SHELVING, PORTABLE, SOLID STAINLESS STEEL, APPROX. 16"D

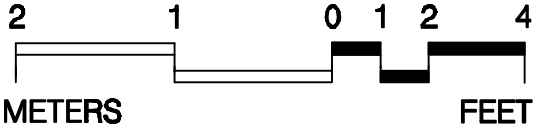
26 February 1993



NOTE: FOR ALL T EQUIPMENT
SEE H-08-04 VOL.1

$$\frac{100 \text{ NSF}}{9.290 \text{ m}^2}$$

Equipment Storage



Equipment & Utility Plan

Equipment Storage

Design Standards

ARCHITECTURAL

Floor Area	100 NSF	Wall Finish	CMU
Ceiling	PCP	Wainscot	-
Ceiling Height	9'-0"	Base	ERF
Slab Depression	-	Floor Finish	ERF
Notes:		Lead Lining	-

SPECIAL EQUIPMENT

NONE

ELECTRICAL

Lighting

General	30 FC, 1.5 W/SF
Special	-
Emergency	-
Notes:	

Power

General	180 W
Special	-
Emergency	-

COMMUNICATIONS

Telephone	-	ADP	-
Intercom	-	Radio	-
Public Address	-	Other	-
Notes:			

HEATING, VENTILATING AND AIR CONDITIONING

AC Load Lights	4.0 W/SF
AC Load Equipment	1/8 W/SF
Number of People	1
Noise Criteria	NC-40
Room Pressure	(0)
Dry Bulb Temp Cooling (F)	78
Dry Bulb Temp Heating (F)	72
Minimum Air Changes per Hour	4 (SA)
Minimum % Outside Air	100
100% Exhaust Air	YES
Special Exhaust	-
Steam	-
Relative Humidity - Cooling	50 %
Relative Humidity - Heating	30 %
Notes:	

PLUMBING AND MEDICAL GASES

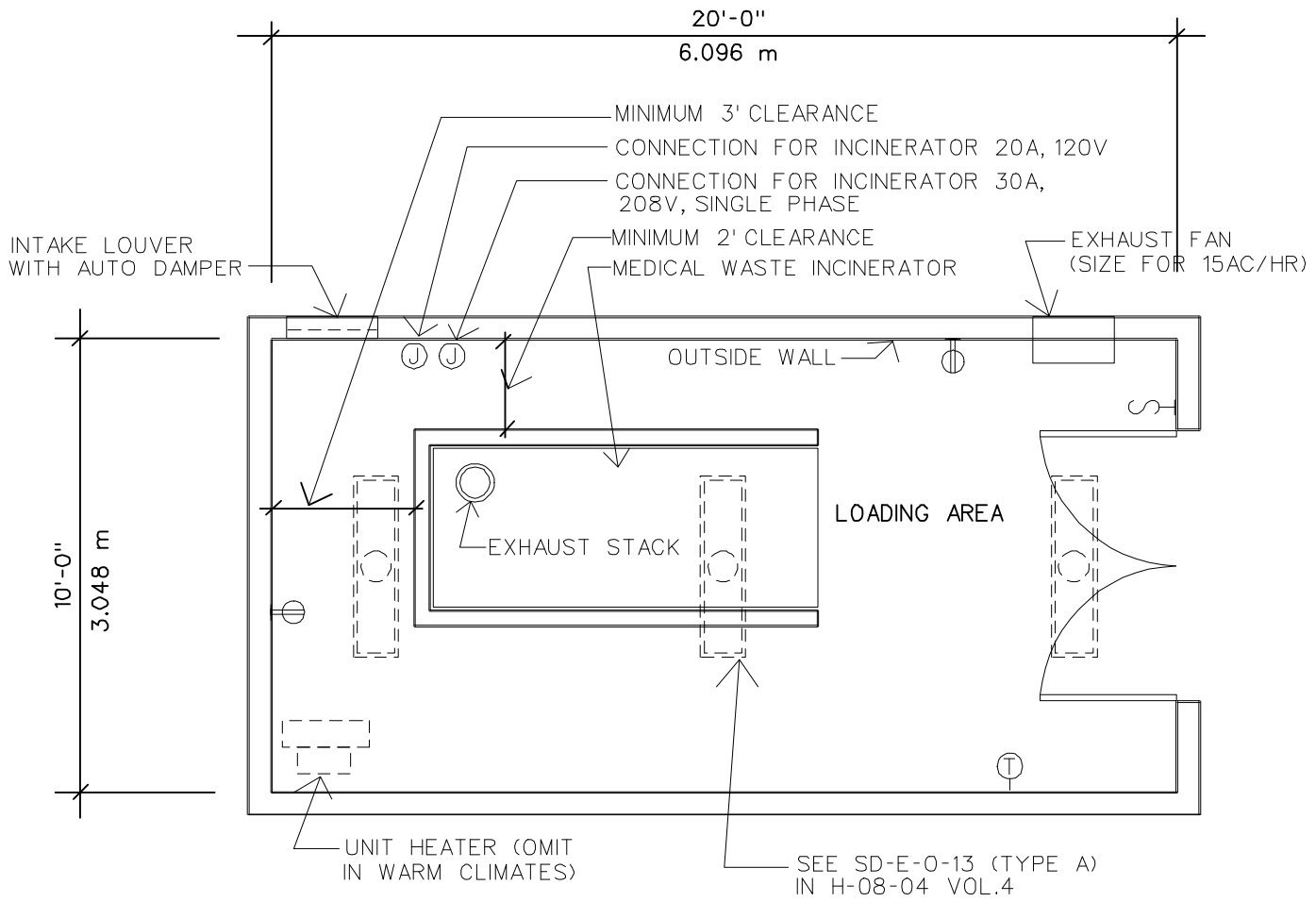
Sanitary Drain	-	Cold Water	-
Acid Waste	-	Hot Water	-
Silver Recovery	-	Reagent Water	-
Medical Air	-	Laboratory Air	-
Medical Vacuum	-	Laboratory Vacuum	-
Oxygen	-	Fuel Gas	-
Nitrous Oxide	-	Anesthesia Evac	-
Notes:			

Equipment Storage

Equipment Guide List

SYMBOL	QTY	AI	DESCRIPTION
T-7D	AR	CC	SHELVING, WALL HUNG, STANDARD AND BRACKET TYPE, 4 ADJUSTABLE SHELVES, 36"W X 18"D X 36"H (H-08-1, MCS 10671; H-08-4, SD 60D)
T-37	AR	CC	SHELVING, FLOORSTANDING, STEEL, WITH SLOPING TOP AND 6 ADJUSTABLE SHELVES, 36"W X 18"D X 84"H (H-08-1, MCS 10671; H-08-4, SD 60E)
	AR	CC	RECEPTACLE, ELECTRICAL, DUPLEX, 120 VOLT, 20 AMP (H-08-1, MCS 16140; H-08-3, CS 801-3)

26 February 1993



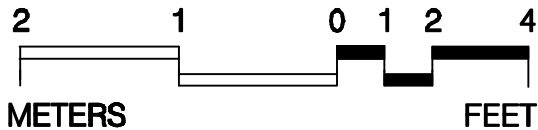
NOTE: INCINERATOR SHOULD BE AUTOMATIC LOADING TYPE

NOTE: COMPLY WITH APPLICABLE CODES FOR INCINERATORS

NOTE: THIS PLAN APPLICABLE ONLY WHEN ROOM IS APPROVED BY VHA

200 NSF
18.580 m²

Incinerator Room



Equipment & Utility Plan

Incinerator Room

Design Standards

ARCHITECTURAL

Floor Area	200 NSF	Wall Finish	CMU (SC)
Ceiling	PL	Wainscot	-
Ceiling Height	10'-0" MIN*	Base	ERF
Slab Depression	-	Floor Finish	ERF
Notes:		Lead Lining	-

*HEIGHT TO ACCOMMODATE EQUIPMENT SIZE

SPECIAL EQUIPMENT

INCINERATOR

ELECTRICAL

Lighting

General	10 FC, 0.5 W/SF
Special	-
Emergency	-

Notes:

Power

General	180 W
Special	-
Emergency	-

COMMUNICATIONS

Telephone	-	ADP	-
Intercom	-	Radio	-
Public Address	-	Other	-

Notes:

HEATING, VENTILATING AND AIR CONDITIONING

AC Load Lights	2.7 W/SF
AC Load Equipment	1.5 W/SF*
Number of People	-
Noise Criteria	NC-50
Room Pressure	(0)
Dry Bulb Temp Cooling (F)	-
Dry Bulb Temp Heating (F)	50
Minimum Air Changes per Hour	80 (MUA)**
Minimum % Outside Air	1600 CFM (MUA)**
100% Exhaust Air	YES
Special Exhaust	-
Steam	-
Relative Humidity - Cooling	- %
Relative Humidity - Heating	- %

Notes:

* PLUS INCINERATOR HEAT GAIN

**ADJUST VALUES TO COMPLY W/MANUFACTURERS RECOMMENDATIONS
INTERLOCK AUTO DAMPER WITH INCINERATOR, EXHAUST FAN, AND
THERMOSTAT

PLUMBING AND MEDICAL GASES

Sanitary Drain	-	Cold Water	-
Acid Waste	-	Hot Water	-
Silver Recovery	-	Reagent Water	-
Medical Air	-	Laboratory Air	-
Medical Vacuum	-	Laboratory Vacuum	-
Oxygen	-	Fuel Gas	YES
Nitrous Oxide	-	Anesthesia Evac	-

Notes:

26 February 1993

Incinerator Room

Equipment Guide List

SYMBOL	QTY	AI	DESCRIPTION
			NOTE: APPLICABLE ONLY WHEN APPROVED BY VHA.
			NOTE: NEED, LOCATION AND CAPACITY OF MEDICAL WASTE INCINERATOR WILL BE DETERMINED BY VHA.
	1	CC	INCINERATOR, AUTOMATIC LOAD TYPE, MEDICAL WASTE, OIL OR GAS FIRED PACKAGE UNIT (H-08-1, MCS 11171)
	AR	CC	ELECTRICAL, 208 VOLT, 30 AMP, SINGLE PHASE, DIRECT CONNECTION FOR INCINERATOR (H-08-1, MCS 16140)
	AR	CC	ELECTRICAL, 120 VOLT, 20 AMP, DIRECT CONNECTION FOR INCINERATOR (H-08-1, MCS 16140)
	AR	CC	CONNECTIONS, PLUMBING, ELECTRICAL OR MECHANICAL AS REQUIRED