



Section 4

Design Plates, Standards, Equipment List

	Page
Introduction	4-1

Guide Plates

The Guide Plates are organized by Functional Area and then by room name. Guide Plates that apply to more than one functional area are at the front of this section.

See Appendix in Section 5 for Index of Guide Plates by all functional areas including cross references by room designations (SEPS code) used in the Space Planning Criteria.

Clean Supply Room	4-2
Housekeeping Aids Closet	4-6
Medication Room	4-10
Office	4-14
Reception.....	4-18
Soiled Utility Room.....	4-22
Toilet, Wheelchair Accessible	4-26
Toilet / Shower, Wheelchair	4-30

Emergency Room / Urgent Care

Clean Utility Room	4-34
Exam Room, Isolation (EXRG1).....	4-38
Exam Room, Security	4-42
Life Support Unit	4-46
Nurse Station / Communication Center (NTSA1).....	4-52
Observation & Treatment Room.....	4-56
Vital Sign Station.....	4-60

Examination-Treatment Module

Core Space

Audiometric Booth.....4-64
 Blood Draw4-68
 Exam Room (Multi-Purpose)4-72
 Exam Room, Isolation (EXRG6).....4-76
 GYN Exam Room.....4-80
 Intake / Exit Interview4-84
 Nurse Station Communication Center
 (NSTA4).....4-88
 Nurse Triage4-92
 Procedure Room, General Purpose4-96

Examination-Treatment Module

Specialty Clinics

AIDS Clinic:

Aerosolized Pentamidine
 Procedure Room.....4-100

Dermatology Clinic:

Phototherapy Treatment Room &
 Shower Room4-104
 Procedure / Treatment Room4-108

GI Clinic:

Gastric (Esophageal) Motility
 Procedure Room.....4-112
 Scope Cleaning / Clean Storage4-116
 Screening Proctoscopy /
 Sigmoidoscopy Room4-120

Mohs Clinic:

Procedure / Treatment Room4-108

Oncology Clinic:

Chemotherapy Agent Preparation
 Room.....4-124
 Chemotherapy Treatment Room.....4-130

Orthopedic Clinic:

Cast Room.....4-134

Disposition

Agent Cashier4-138

Introduction

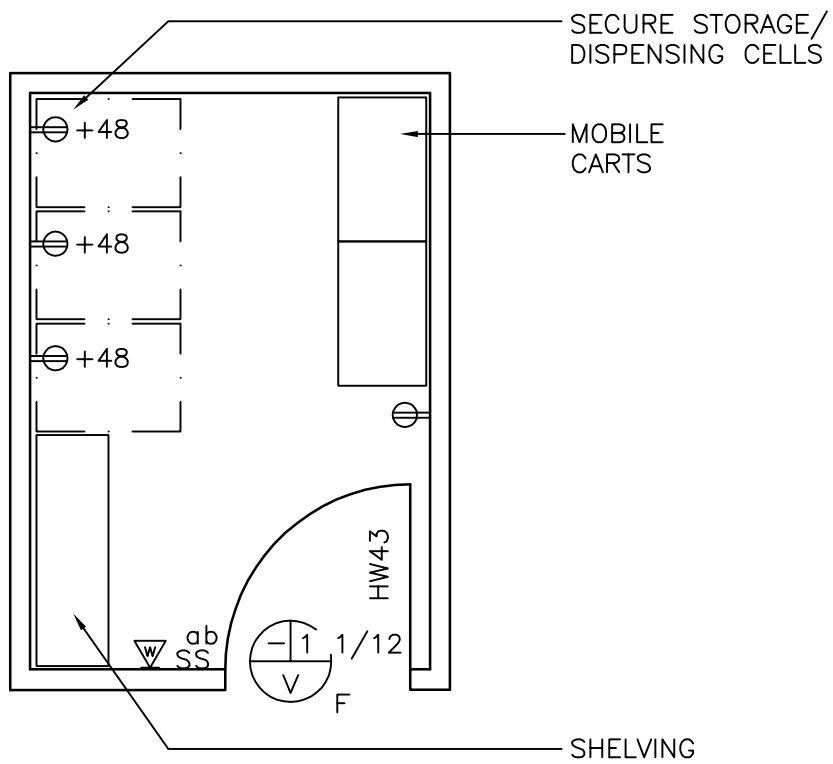
The Design Guide Plates included with this publication are intended as general representations of typical furniture, equipment, functional and personnel space needs. The design Guide Plates were developed as a design tool to assist the Project Team in understanding the choices to be made during design, and to assist designers in understanding VA's functional requirements for Ambulatory Care Clinics. The Guide Plates are not intended to be project specific and are not meant to limit design opportunities.

While plates are provided for a majority of spaces required in the Ambulatory Care Clinic, it is not possible to foresee all possible variations or future requirements. The project-specific space program shall be used as the basis for individual project design.

In all cases the Guide Plates must be reviewed against project criteria and any special requirements. Users shall refer to other VA criteria and standards (listed in Section 1) when information is either too detailed or too broad to be included in the Guide Plates. Equipment requirements and technologies are continually evolving. Equipment manufacturers shall be consulted for actual dimensions and utility requirements.

See Section 5 for a cross reference to the Room Names and SEPS designations used in Chapter 262 of the Space Criteria.

Clean Supply Room (SRSE1) Floor Plan



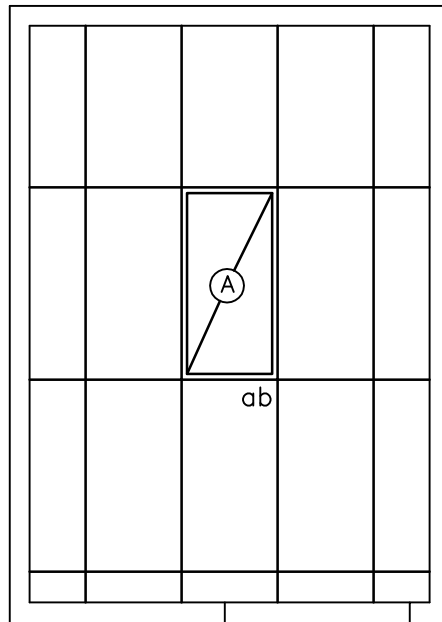
100 NSF/ 9.4 NSM

SCALE $\frac{1}{4}'' = 1'-0''$



NOTE: Guide plates are graphical representations of selected room types, illustrating the integration of space, components, systems, and equipment. They provide typical configurations and general technical guidance, and are not intended to be project specific. Specific infrastructure design requirements are contained in VA Design Manuals and Space Planning Criteria located in the VA Technical Information Library.

Clean Supply Room (SRSE1)
Reflected Ceiling Plan



100NSF/ 9.4 NSM

SCALE $\frac{1}{4}'' = 1'-0''$



NOTE: Guide plates are graphical representations of selected room types, illustrating the integration of space, components, systems, and equipment. They provide typical configurations and general technical guidance, and are not intended to be project specific. Specific infrastructure design requirements are contained in VA Design Manuals and Space Planning Criteria located in the VA Technical Information Library.

Clean Supply Room (SRSE1)

Design Standards

ARCHITECTURAL

Ceiling:	AT
Ceiling Height:	9'-0" (2700 mm)
Wall Finish:	GWB-P
Wainscot:	--
Base:	RB
Floor Finish:	VCT
Slab Depression:	--
Sound Protection:	--
Notes:	--

SPECIAL EQUIPMENT

	--
--	----

LIGHTING

General:	--
Special:	--
Notes:	<ol style="list-style-type: none"> 1) 2' x 4' (600 mm x 1200 mm) recessed fluorescent light fixture with acrylic prismatic lens, F32T8 lamps, 3500°K, CRI=70 (minimum). 2) The foot-candle level is average maintained. 3) Provide ballasts per fixture for desired switching configuration. To provide a uniform lighting level, switch inner lamp(s) on first switch and outer lamps on second switch. 4) Exact quantity, location, and lamping of light fixtures shall be chosen to meet the foot-candle requirement.

POWER

General:	As Shown
Emergency:	As Shown
Notes:	--

COMMUNICATION/SPECIAL SYSTEMS

Data:	--
Telephone:	Yes
Intercom:	--
Nurse Call:	--
Public Address:	--
Radio/Entertainment:	--
MATV:	--
CCTV:	--
MID:	--
Security/Duress:	--
VTEL:	--
VA Satellite TV:	--
Notes:	--

HEATING, VENTILATING AND AIR CONDITIONING

Inside Design Conditions:	70°F (21°C) to 75°F (24°C) Dry-Bulb Temperature
	30 Percent to 50 Percent Relative Humidity
Minimum Air Changes per Hour:	4
100% Exhaust:	No
100% Outside Air:	No
Room Air Balance:	Positive (+)
Dedicated Exhaust System:	Not Required
Occupancy:	Not Applicable
AC Load-(Equipment):	As Required
AC Load-(Light):	As Required
Notes:	--

PLUMBING AND MEDICAL GASES

Cold Water:	--
Hot Water:	--
Laboratory Air:	--
Laboratory Vacuum:	--
Sanitary Drain:	--
Reagent Grade Water:	--
Medical Air:	--
Medical Vacuum:	--
Oxygen:	--
Notes:	--

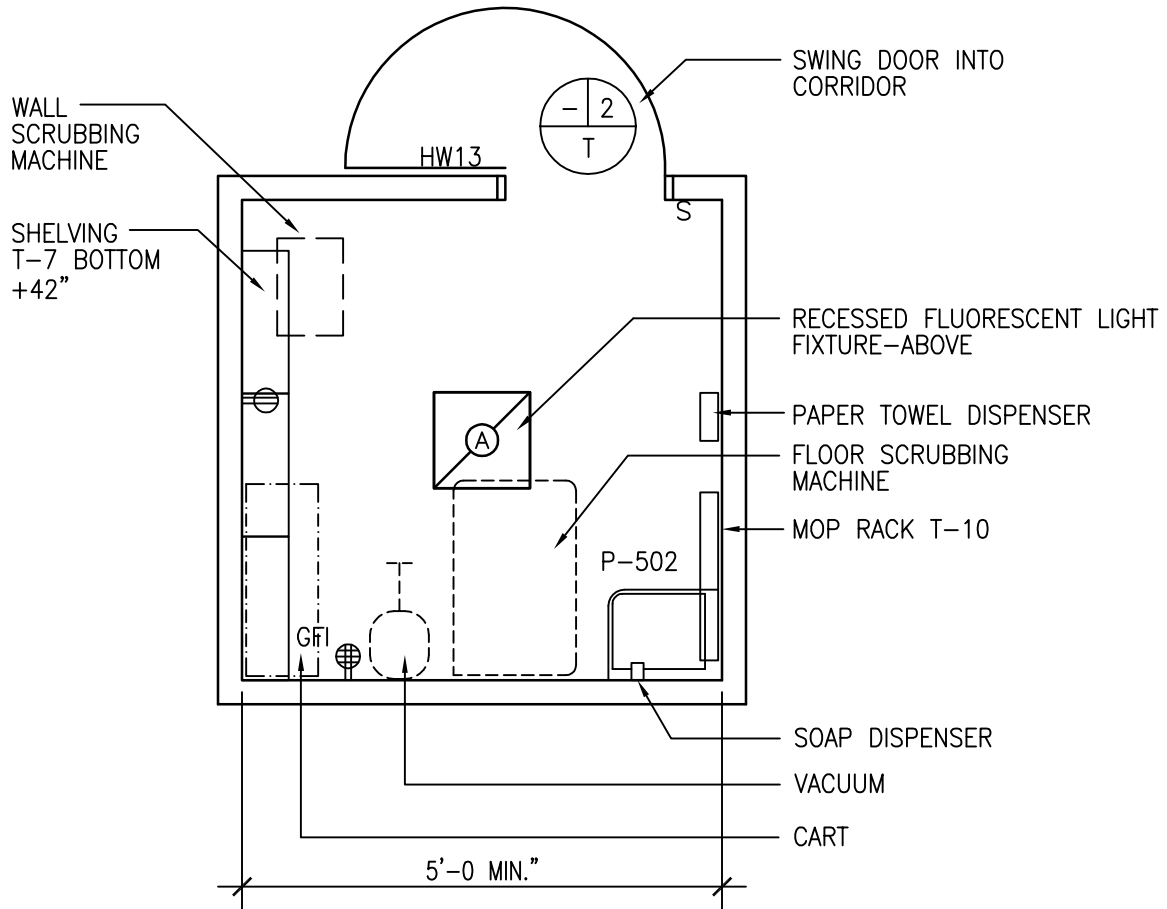
Clean Supply Room (SRSE1)

Equipment List

JSN	SYMBOL	QTY	AI	DESCRIPTION
		AR	CC	Receptacle, electrical, duplex, 120 volt (PG-18-1, MCS 26 27 26)
A1010		AR	CC	Outlet, telephone, wall mounted (PG-18-1, MCS 27 15 00)
M2050		AR	VV	Shelving, storage, mobile, steel, rod shelf, open style with 5 adjustable shelves
E0945		AR	VV	Cart, mobile with adjustable shelves, 27" x 36" x 38" (675 mm x 900 mm x 950 mm)
M13150		AR	VV	Automated storage/dispensing unit (cell), approx. 27" W x 25" D x 78" H (675 mm W x 635 mm D x 1950 mm H)



Housekeeping Aids Closet (HAC) (JANC1)
 Floor Plan & RCP



40 NSF (Standard) / 3.8 NSM (Standard)
 100 NSF (Large) / 9.3 NSM (Large) (Shown Above)

SCALE $\frac{1}{4}'' = 1'-0''$



NOTE: Guide plates are graphical representations of selected room types, illustrating the integration of space, components, systems, and equipment. They provide typical configurations and general technical guidance, and are not intended to be project specific. Specific infrastructure design requirements are contained in VA Design Manuals and Space Planning Criteria located in the VA Technical Information Library.

Housekeeping Aids Closet (HAC) (JANC1)

Design Standards

ARCHITECTURAL

Ceiling:	GWB-P
Ceiling Height:	9'-0" (2700 mm)
Wall Finish:	GWB-SC
Wainscot:	CT 48" (1200 mm) above base
Base:	WSF, 6" (150 mm) Integral Cove Base
Floor Finish:	WSF
Lead Lining:	--
Notes:	--

SPECIAL EQUIPMENT

	--
--	----

LIGHTING

General:	--
Special:	--
Emergency:	All

- Note: 1) 2' x 2' (600 mm x 600 mm) recessed fluorescent light fixture, acrylic prismatic lens, w/ T8 lamps 3500°K, CRI=70 (minimum).
- 2) The foot-candle level is average maintained.
- 3) Provide ballasts per fixture for desired switching configuration. To provide a uniform lighting level, switch inner lamp(s) on first switch and outer lamps on second switch.
- 4) Exact quantity, location, and lamping of light fixtures shall be chosen to meet the foot-candle requirement.
- 5) Fixture description for alternate 40 NSF room is the same as described in Note 1 above. Locate the fixture in the center of the room. Wattage for 40 NSF room fixture should be approximately 40% of wattage for 100 NSF room fixture.

POWER

General:	As Shown
Emergency:	As Shown
Notes:	--

COMMUNICATION/SPECIAL SYSTEMS

Data:	--
Telephone:	--
Intercom:	--
Nurse Call:	--
Public Address:	--
Radio/Entertainment:	--
MATV:	--
CCTV:	--
MID:	--
Security/Duress:	--
VTEL:	--
VA Satellite TV:	--
Notes:	--

HEATING, VENTILATING AND AIR CONDITIONING

Inside Design Conditions:	Not Applicable
Minimum Air Changes per Hour:	Highest of: 10 air changes per hour, or 1 CFM/SF (23 liters/sec/sq meters), or 50 CFM (24 liters/sec). Air admitted as make-up from adjoining spaces
100% Exhaust:	Yes
100% Outside Air:	No
Room Air Balance:	Double Negative (--)
Dedicated Exhaust System:	No
Occupancy:	Not Applicable
AC Load (Equipment):	Not Applicable
AC Load-(Light):	As Required
Notes:	--

PLUMBING AND MEDICAL GASES

Cold Water:	Yes
Hot Water:	Yes
Laboratory Air:	--
Laboratory Vacuum:	--
Sanitary Drain:	Yes
Reagent Grade Water:	--
Medical Air:	--
Medical Vacuum:	--
Oxygen:	--
Notes:	--



Housekeeping Aids Closet (HAC) (JANC1)

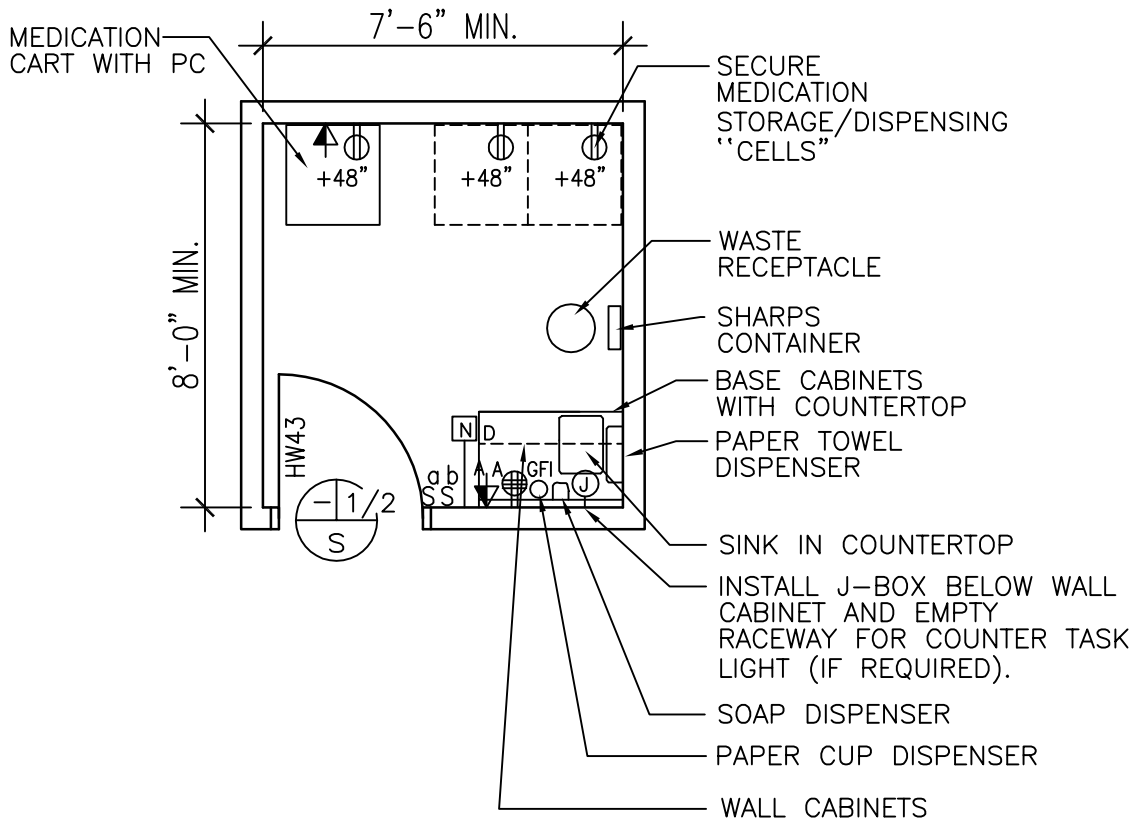
Equipment List

JSN	SYMBOL	QTY	AI	DESCRIPTION
P4700	P-502	1	CC	Sink, service, corner, floor mounted (PG-18-1, MCS 22 40 00)
A5135	T-10	AR	CC	Rack, mop, wall mounted (PG-18-1, MCS 10 28 00)
A5135	T-7	AR	CC	Shelving, wall hung, corrosion resisting steel, 2 fixed shelves, 2 doors with locks, 36" x 12" x 48" (900 mm x 300 mm x 1200 mm), 60" (1520 mm) above finished floor (PG-18-1, MCS 12 31 00)
		AR	CC	Receptacle, electrical, duplex, 120 volt (PG-18-1, MCS 26 27 26)
		1	CC	Receptacle, electrical, quadruplex (PG-18-1, MCS 26 27 26)
M2600		1	VV	Vacuum cleaner, battery powered
		1	VV	Machine, scrubbing, wall, battery powered
M2650		1	VV	Machine, scrubbing, floor, battery powered
F0500		1	VV	Cart, supplies, 24" x 48" (600 mm x 1200 mm)
A5080		1	VV	Dispenser, paper towel, surface mounted
A5075		1	VV	Dispenser, soap, liquid, wall mounted



This page intentionally left blank.

Medication Room (MEDP1)
 Floor Plan



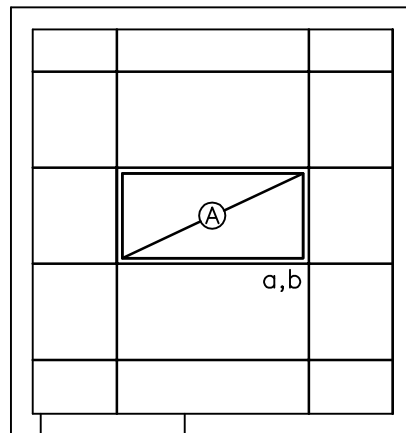
60 NSF/ 5.6 NSM (Shown Above)
 Dermatology: 90 NSF/ 8.4 NSM

SCALE $\frac{1}{4}'' = 1'-0''$



NOTE: Guide plates are graphical representations of selected room types, illustrating the integration of space, components, systems, and equipment. They provide typical configurations and general technical guidance, and are not intended to be project specific. Specific infrastructure design requirements are contained in VA Design Manuals and Space Planning Criteria located in the VA Technical Information Library.

Medication Room (MEDP1)
Reflected Ceiling Plan



60 NSF/ 5.6 NSM (Shown Above)
Dermatology: 90 NSF/ 8.4 NSM

SCALE $\frac{1}{4}'' = 1'-0''$



NOTE: Guide plates are graphical representations of selected room types, illustrating the integration of space, components, systems, and equipment. They provide typical configurations and general technical guidance, and are not intended to be project specific. Specific infrastructure design requirements are contained in VA Design Manuals and Space Planning Criteria located in the VA Technical Information Library.

Medication Room (MEDP1)

Design Standards

ARCHITECTURAL

Ceiling:	AT
Ceiling Height:	9'-0" (2700 mm)
Wall Finish:	GWB-P
Wainscot:	--
Base:	RB
Floor Finish:	VCT
Slab Depression:	--
Sound Protection:	--
Notes:	--

SPECIAL EQUIPMENT

	--
--	----

LIGHTING

General:	--
Special:	--
Notes:	<ol style="list-style-type: none"> 1) 2' x 4' (600 mm x 1200 mm) recessed fluorescent light fixture with acrylic prismatic lens w/ F32T8 lamps, 3500°K, CRI=70 (minimum). 2) The foot-candle level is average maintained. 3) Provide ballasts per fixture for desired switching configuration. To provide a uniform lighting level, switch inner lamp(s) on first switch and outer lamps on second switch. 4) Exact quantity, location, and lamping of light fixtures shall be chosen to meet the foot-candle requirement. 5) Fixture description for alternate 90 NSF room is the same as described in Note 1 above. Orient the two fixtures in the same manner as shown for 60 NSF room. Fixture wattage should be the same as for 60 NSF room.

POWER

General:	As Shown
Emergency:	As Shown
Notes:	--

COMMUNICATION/SPECIAL SYSTEMS

Data:	Yes
Telephone:	Yes
Intercom:	--
Nurse Call:	Yes
Public Address:	--
Radio/Entertainment:	--
MATV:	--
CCTV:	--
MID:	--
Security/Duress:	--
VTEL:	--
VA Satellite TV:	--
Notes:	--

HEATING, VENTILATING AND AIR CONDITIONING

Inside Design Conditions:	70°F (21°C) to 75°F (24°C) Dry-Bulb Temperature
	30 Percent to 50 Percent Relative Humidity
Minimum Air Changes per Hour:	4
100% Exhaust:	No
100% Outside Air:	No
Room Air Balance:	Positive (+)
Dedicated Exhaust System:	No
Occupancy:	1
AC Load (Equipment):	As Required
AC Load-(Light):	As Required
Notes:	--

PLUMBING AND MEDICAL GASES

Cold Water:	Yes
Hot Water:	Yes
Laboratory Air:	--
Laboratory Vacuum:	--
Sanitary Drain:	Yes
Reagent Grade Water:	--
Medical Air:	--
Medical Vacuum:	--
Oxygen:	--
Notes:	--

Medication Room (MEDP1)

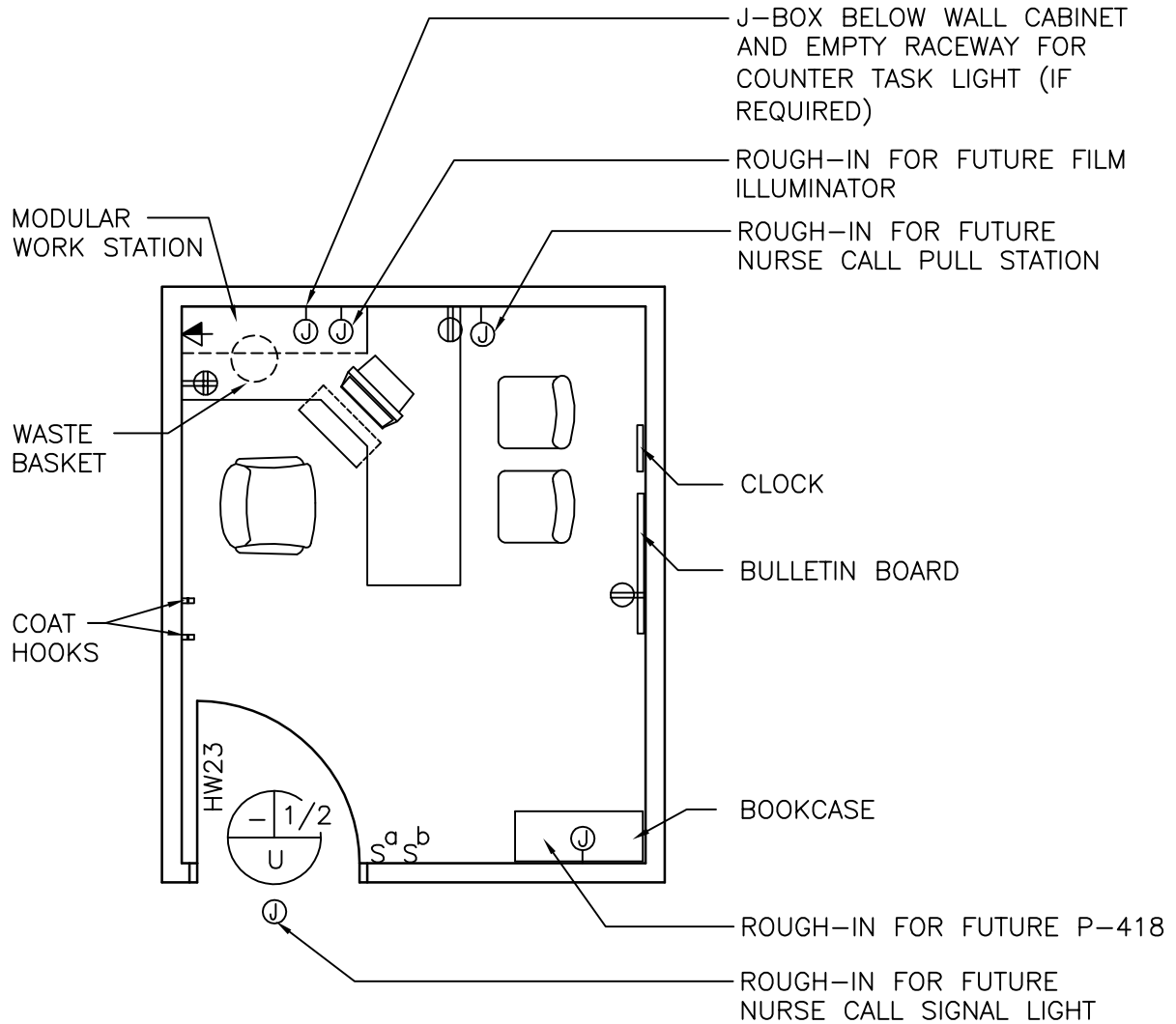
Equipment List

JSN	SYMBOL	QTY	AI	DESCRIPTION
C04P0		1	CC	Cabinet, sink base, 2-door, 36" x 24" x 36" (900 mm x 600 mm x 900 mm) (PG-18-1, MCS 12 31 00)
D0370		1	CC	Cabinet, drawer base, 24" x 24" x 36" (600 mm x 600 mm x 900 mm) (PG-18-1, MCS 12 31 00)
		AR	CC	Receptacle, electrical, duplex and quadruplex (PG-18-1, MCS 26 27 26)
CE050		AR	CC	Cabinet, wall, 2 adjustable shelves, sloping top 24" W x 24" D x 30" H (600 mm W x 600 mm D x 750 mm H)
CT030		AR	CC	Countertop, SS (PG-18-1, MCS 12 36 00)
CS090	A-2	1	CC	Sink, CRS integral with top, with faucet, drain outlet and top (PG-18-1, MCS 12 36 00)
A1010		AR	CC	Outlet, telephone/data, wall mounted (PG-18-1, MCS 27 15 00)
		1	CC	Nurse call duty station (PG-18-1, MCS 27 52 23)
A5080		1	VV	Dispenser, paper towel, surface mounted
A5075		1	VV	Dispenser, soap, liquid, wall mounted
F2017		1	VV	Receptacle, waste, step on type, approx. 12" (300 mm) diameter
A5085		1	VV	Dispenser, paper cup, wall mounted
M3150		AR	VV	Automated storage/dispensing unit (cell) secure, approx. 27" W x 25" D x 78" H (675 mm W x 635 mm D x 1950 mm H)
A5106		1	VV	Sharps container
M7250		1	VV	Cart, medication, with PC computer system 36" x 30" x 36" (900 mm x 750 mm x 900 mm)

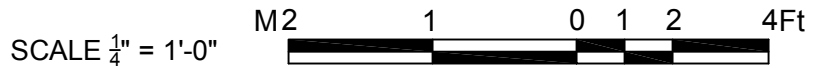


Office (OFA01)(OFA02)(OFD01)(OFD03)(OFDC1)(SEC01)
 Floor Plan

CONSIDER PROVIDING BACKING AND ROUGH-INS FOR CONVERSION TO EXAM ROOM-
 SEE GUIDE PLATE 4-76 SIMILAR.

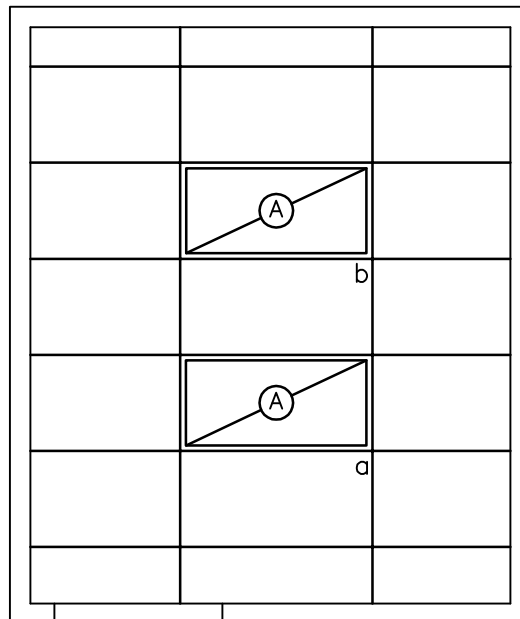


Typical: 120 NSF/ 11.2 NSM (Shown Above)
 Minimum: 80 NSF/ 7.4 NSM
 Maximum: 150 NSF/ 13.9 NSM



NOTE: Guide plates are graphical representations of selected room types, illustrating the integration of space, components, systems, and equipment. They provide typical configurations and general technical guidance, and are not intended to be project specific. Specific infrastructure design requirements are contained in VA Design Manuals and Space Planning Criteria located in the VA Technical Information Library.

Office (OFA01)(OFA02)(OFD01)(OFD03)(OFDC1)(SEC01)
Reflected Ceiling Plan



Typical: 120 NSF/ 11.2 NSM (Shown Above)
Minimum: 80 NSF/ 7.4 NSM
Maximum: 150 NSF/ 13.9 NSM

SCALE $\frac{1}{4}$ " = 1'-0"



NOTE: Guide plates are graphical representations of selected room types, illustrating the integration of space, components, systems, and equipment. They provide typical configurations and general technical guidance, and are not intended to be project specific. Specific infrastructure design requirements are contained in VA Design Manuals and Space Planning Criteria located in the VA Technical Information Library.

Office (OFA01) (OFA02) (OFD01) (OFD03) (OFDC1) (SEC01)

Design Standards

ARCHITECTURAL

Ceiling:	AT
Ceiling Height:	9'-0" (2700 mm)
Wall Finish:	GWB-P
Wainscot:	--
Base:	RB
Floor Finish:	CPT
Slab Depression:	--
Sound Protection:	STC 40
Notes:	--

SPECIAL EQUIPMENT

LIGHTING

General:	--
Special:	--
Notes:	<ol style="list-style-type: none"> 1) 2' x 4' (600 mm x 1200 mm) recessed fluorescent light fixture, parabolic louver, w/ F32T8 lamps 3500°K, CRI=70 (minimum). 2) The foot-candle level is average maintained. 3) Provide ballasts per fixture for desired switching configuration. To provide a uniform lighting level, switch inner lamp(s) on first switch and outer lamps on second switch. 4) Exact quantity, location, and lamping of light fixtures shall be chosen to meet the foot-candle requirement. 5) Fixture description for alternate 80 and 150 NSF rooms is the same as described in Note 1 above. Orient the two fixtures for 150 NSF room in the same manner as shown for 120 NSF room. Orient single fixture and grid for 80 NSF room at 90° from orientation shown in 150 NSF room. For 80 and 150 NSF rooms, increase fixture wattage by 50%.

POWER

General:	As Shown
Emergency:	As Shown
Notes:	<ol style="list-style-type: none"> 1) Coordinate location and height of work station receptacles with modular furniture.

COMMUNICATION/SPECIAL SYSTEMS

Data:	Yes
Telephone:	Yes
Intercom:	--
Nurse Call:	Rough-in only
Public Address:	--
Radio/Entertainment:	--
MATV:	--
CCTV:	--
MID:	--
Security/Duress:	--
VTEL:	--
VA Satellite TV:	--
Notes:	<ol style="list-style-type: none"> 1) Coordinate location and height of work station telephone/data outlets with modular furniture.

HEATING, VENTILATING AND AIR CONDITIONING

Inside Design Conditions:	70°F (21°C) to 75°F (24°C) Dry-Bulb Temperature
	30 Percent to 50 Percent Relative Humidity
Minimum Air Changes per Hour:	4
100% Exhaust:	No
100% Outside Air:	No
Room Air Balance:	Neutral (0)
Dedicated Exhaust System:	No
Occupancy:	2
AC Load (Equipment):	As Required
AC Load-(Light):	As Required
Notes:	--

PLUMBING AND MEDICAL GASES

Cold Water:	Rough-in only
Hot Water:	Rough-in only
Laboratory Air:	--
Laboratory Vacuum:	--
Sanitary Drain:	Rough-in only
Reagent Grade Water:	--
Medical Air:	--
Medical Vacuum:	--
Oxygen:	--
Notes:	--

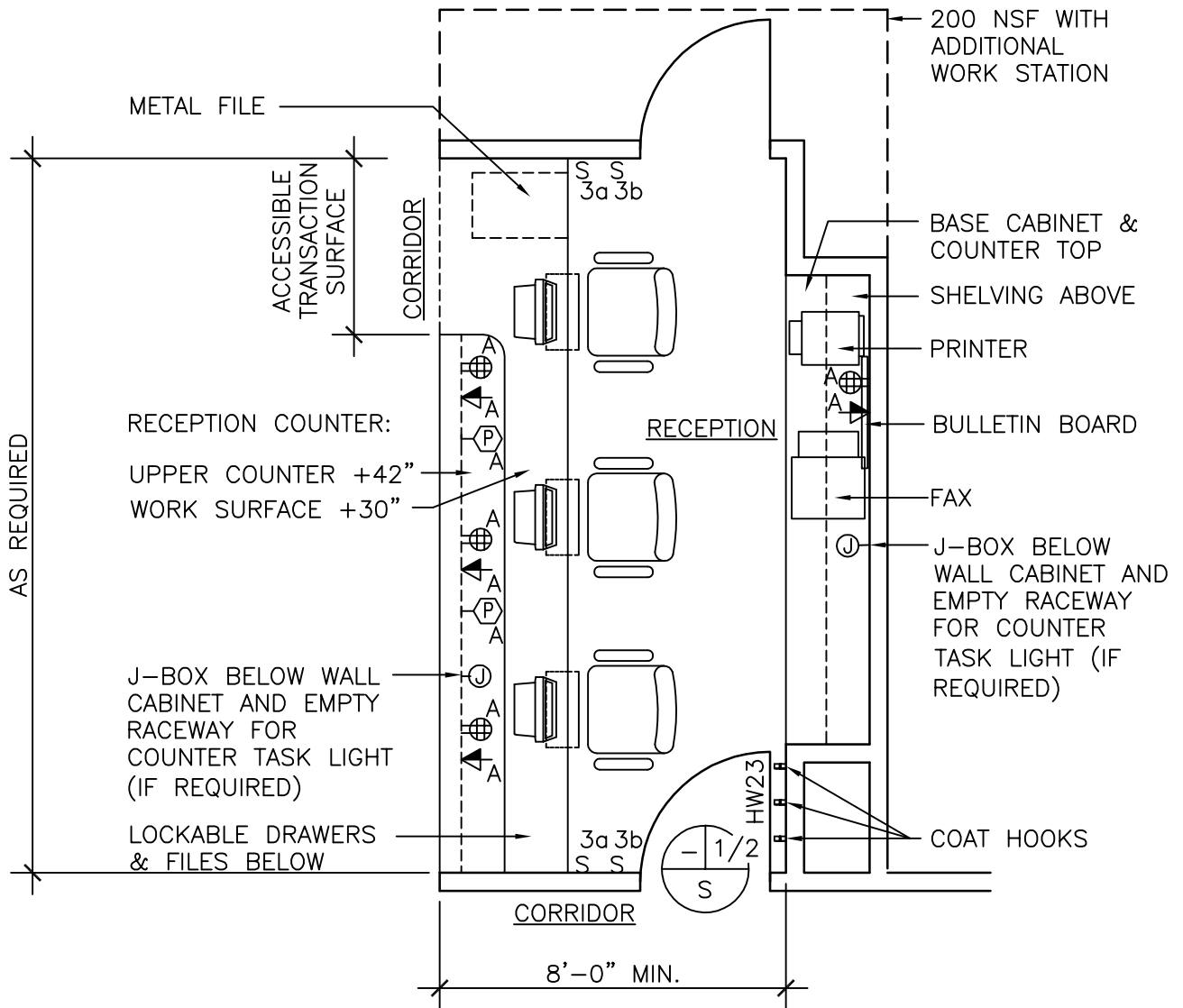
Office (OFA01) (OFA02) (OFD01) (OFD03) (OFDC1) (SEC01)

Equipment List

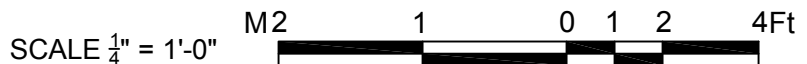
JSN	SYMBOL	QTY	AI	DESCRIPTION
	P-418	1	CC	Rough-in for lavatory, sensor control (PG-18-1, MCS 22 40 00; PG-18-4, NCS SD 22 40 00)
A1010		1	CC	Outlet, telephone/data, wall mounted (PG-18-1, MCS 27 15 00)
		1	CC	Receptacle, electrical, quadruplex, for computer equipment items (PG-18-1, MCS 26 27 26)
		AR	CC	Receptacle, electrical, duplex (PG-18-1, MCS 26 27 26)
		1	CC	Rough-in for nurse call, emergency station, and corridor signal light (PG-18-1, MCS 27 52 23)
E0210		1	VV	Modular work station with under counter keyboard tray, overhead storage, and wall hanger strips.
F0205		1	VV	Chair, rotary, with arms
F0120		1	VV	Bookcase, sectional, each section, 33" x 13" x 75" (825 mm x 325 mm x 1875 mm) with 10" (250 mm) base
A5145		2	VV	Hook, coat, wall mounted
F2000		1	VV	Receptacle, waste, 13" (325 mm) diameter
M1801		1	VV	PC, computer system, with keyboard
F0210		2	VV	Chair, straight, without arms
F3010		1	VV	Bulletin board, 48" x 36" (1200 mm x 900 mm)
F3200		1	VV	Clock, atomic, battery operated
Refer to Examination Room Guide Plate (EXRG3) for location of following:				
		AR	CC	Provide backing for future wall mounted equipment and accessories: Sphygmomanometer Otoscope / Ophthalmoscope Glove dispenser Sharps container Paper towel dispenser
		1	CC	Rough-in j-box for future x-ray film illuminator



Reception (RECP1)
Floor Plan

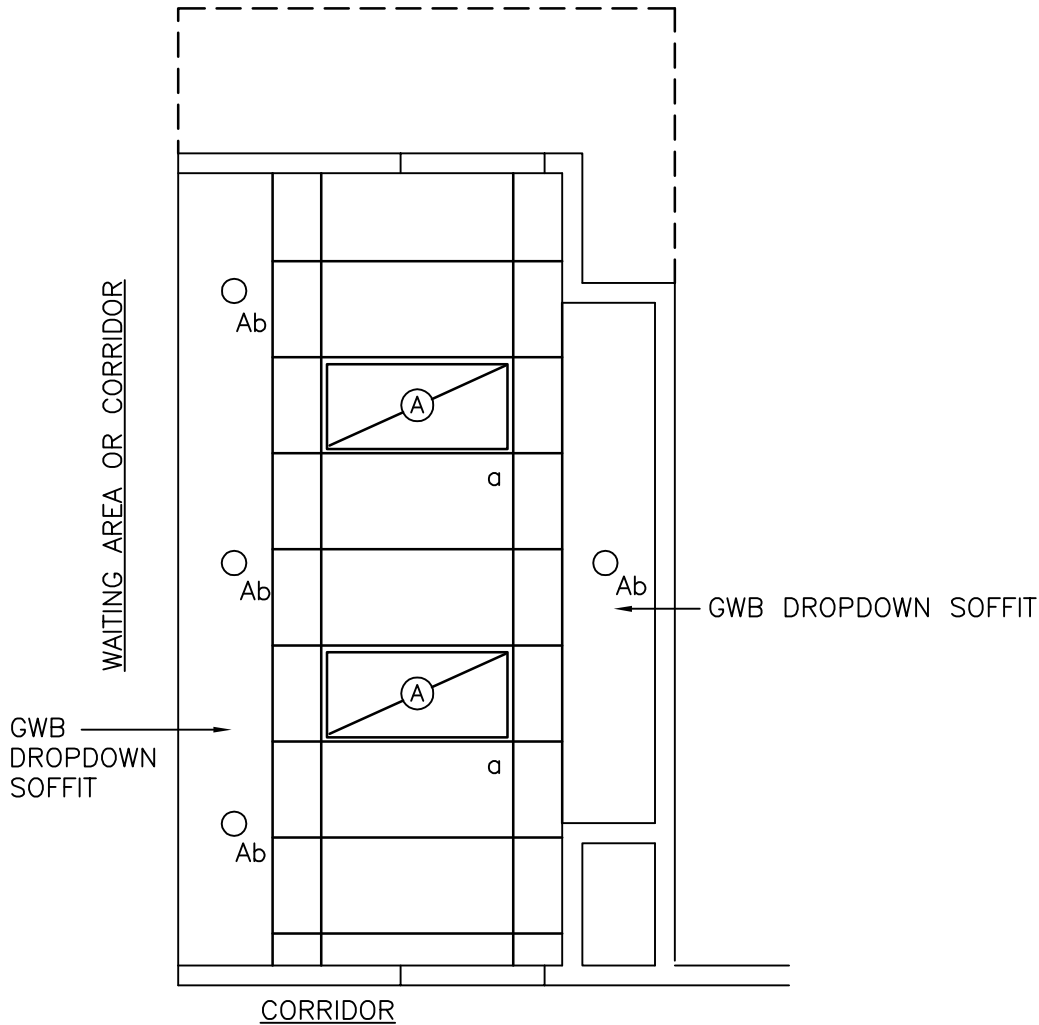


Clinic Reception: 200 NSF/ 18.6 NSM
 ETM (MAS) Reception: 150 NSF/ 13.9 NSM (Shown Above)
 E/R- Reception: 100 NSF/ 9.3 NSM



NOTE: Guide plates are graphical representations of selected room types, illustrating the integration of space, components, systems, and equipment. They provide typical configurations and general technical guidance, and are not intended to be project specific. Specific infrastructure design requirements are contained in VA Design Manuals and Space Planning Criteria located in the VA Technical Information Library.

Reception (RECP1)
 Reflected Ceiling Plan



Clinic Reception:	200 NSF/ 18.6 NSM
ETM (MAS) Reception:	150 NSF/ 13.9 NSM (Shown Above)
E/R- Reception:	100 NSF/ 9.3 NSM

SCALE $\frac{1}{4}'' = 1'-0''$



NOTE: Guide plates are graphical representations of selected room types, illustrating the integration of space, components, systems, and equipment. They provide typical configurations and general technical guidance, and are not intended to be project specific. Specific infrastructure design requirements are contained in VA Design Manuals and Space Planning Criteria located in the VA Technical Information Library.

Reception (RECP1)

Design Standards

ARCHITECTURAL

Ceiling:	AT
Ceiling Height:	9'-0" (2700 mm)
Wall Finish:	--
Wainscot:	--
Base:	RB
Floor Finish:	VCT
Slab Depression:	--
Notes:	--

SPECIAL EQUIPMENT

	--
--	----

LIGHTING

General:	--
Special:	--
Emergency:	--
Notes:	<ol style="list-style-type: none"> 1) Recessed fluorescent fixture with compact fluorescent lamp. 2) Recessed 2' x 4' (600 mm x 1200 mm) fluorescent fixture, with F32T8 lamps, color temperature of 3500°K, CRI=70 (minimum). 3) The foot-candle level is average maintained. 4) Provide ballasts per fixture for desired switching configuration. To provide a uniform lighting level, switch inner lamp(s) on first switch and outer lamps on second switch. 5) Exact quantity, location, and lamping of light fixtures shall be chosen to meet the foot-candle requirement. 6) Fixture description for alternate 100 and 200 NSF rooms is the same as described in Note 1 above. Orient and locate fixtures in the same manner as shown in 150 NSF layout. Reduce number of each type of fixture by one for 100 NSF layout. Fixture wattages for 100 and 200 NSF rooms are the same as for 150 NSF room.

POWER

General:	As Shown
Special:	As Shown
Emergency:	As Shown
Notes:	--

COMMUNICATION/SPECIAL SYSTEMS

Data:	Yes
Telephone:	Yes
Intercom:	--
Nurse Call:	--
Public Address:	--
Radio/Entertainment:	--
MATV:	--
CCTV:	--
MID:	--
Security/Duress:	Yes
VTEL:	--
VA Satellite TV:	--
Notes:	--

HEATING, VENTILATING AND AIR CONDITIONING

Inside Design Conditions:	70°F (21°C) to 75°F (24°C) Dry-Bulb Temperature
	30 Percent to 50 Percent Relative Humidity
Minimum Air Changes per Hour:	6
100% Exhaust:	No
100% Outside Air:	No
Room Air Balance:	Neutral (0)
Dedicated Exhaust System:	No
Occupancy:	2
AC Load (Equipment):	As Required
AC Load-(Light):	As Required
Notes:	--

PLUMBING AND MEDICAL GASES

Cold Water:	--
Hot Water:	--
Laboratory Air:	--
Laboratory Vacuum:	--
Sanitary Drain:	--
Reagent Grade Water:	--
Medical Air:	--
Medical Vacuum:	--
Oxygen:	--
Notes:	--

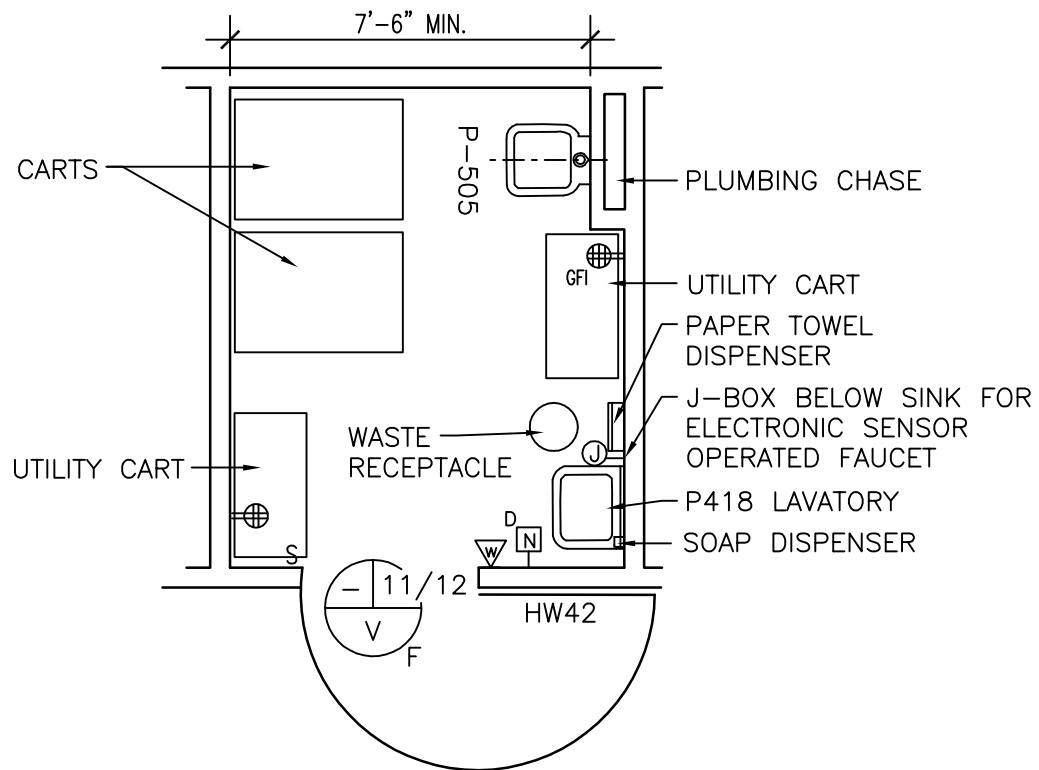
Reception (RECP1)

Equipment List

RECEPTION COUNTER				
JSN	SYMBOL	QTY	AI	DESCRIPTION
		AR	CC	Receptacle, electrical, quadruplex, for computer equipment items (PG-18-1, MCS 26 27 26)
		AR	CC	Shelving, wall hung, standard and bracket type, 2 adjustable shelves, 12" D x length as required (300 mm D x length as required (PG-18-1, MCS 12 36 00)
A1010		AR	CC	Outlet, telephone/data (PG-18-1, MCS 27 15 00)
F3010 or F3025		AR	CC	Bulletin board
CT030		AR	CC	Reception counter, custom casework (PG-18-1, MCS 06 20 00)
A6105		AR	CC	Base cabinets, counter top, and open wall shelving (work surface) (PG-18-1, MCS 12 32 00 and 12 36 00)
		AR	CC	Alarm button, security/duress (PG-18-1, MCS 27 52 31)
M1801		AR	VV	CRT, computer system, with keyboard
F0410		AR	VV	Metal file, under counter
M1840		1	VV	Printer, computer system
F0280		AR	VV	Chair, rotary, with arms
A5145		3	VV	Hook, coat, wall mounted
M1840		1	VV	Machine, facsimile



Soiled Utility Room (USCL1)
 Floor Plan



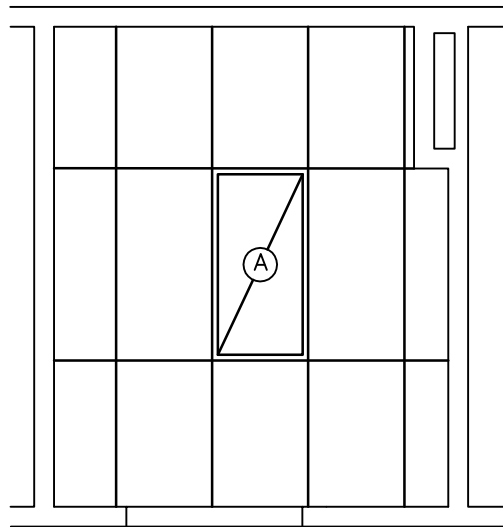
80 NSF/ 9.3 NSM

SCALE 1/4" = 1'-0"



NOTE: Guide plates are graphical representations of selected room types, illustrating the integration of space, components, systems, and equipment. They provide typical configurations and general technical guidance, and are not intended to be project specific. Specific infrastructure design requirements are contained in VA Design Manuals and Space Planning Criteria located in the VA Technical Information Library.

Soiled Utility Room (USCL1)
Reflected Ceiling Plan



80 NSF/ 9.3 NSM

SCALE $\frac{1}{4}$ " = 1'-0"



NOTE: Guide plates are graphical representations of selected room types, illustrating the integration of space, components, systems, and equipment. They provide typical configurations and general technical guidance, and are not intended to be project specific. Specific infrastructure design requirements are contained in VA Design Manuals and Space Planning Criteria located in the VA Technical Information Library.

Soiled Utility Room (USCL1)

Design Standards

ARCHITECTURAL

Ceiling:	AT (SP)
Ceiling Height:	9'-0" (2700 mm)
Wall Finish:	GWB (SC)
Wainscot:	--
Base:	RSF
Floor Finish:	RSF
Slab Depression:	--
Sound Protection:	--
Notes:	--

SPECIAL EQUIPMENT

LIGHTING

General:	--
Special:	--
Notes:	<ol style="list-style-type: none"> 1) Recessed 2' x 4' (600 mm x 1200 mm) fluorescent fixture with acrylic prismatic lens, w/ F32T8 lamps, 3500°K, CRI=70 (minimum). 2) The foot-candle level is average maintained. 3) Provide ballasts per fixture for desired switching configuration. To provide a uniform lighting level, switch inner lamp(s) on first switch and outer lamps on second switch. 4) Exact quantity, location, and lamping of light fixtures shall be chosen to meet the foot-candle requirement.

POWER

General:	As Shown
Emergency:	As Shown
Notes:	--

COMMUNICATION/SPECIAL SYSTEMS

Data:	--
Telephone:	Yes
Intercom:	--
Nurse Call:	Yes
Public Address:	--
Radio/Entertainment:	--
MATV:	--
CCTV:	--
MID:	--
Security/Duress:	--
VTEL:	--
VA Satellite TV:	--
Notes:	--

HEATING, VENTILATING AND AIR CONDITIONING

Inside Design Conditions:	Not Required
Minimum Air Changes per Hour:	10 (All Make-Up Air)
100% Exhaust:	Yes
100% Outside Air:	No
Room Air Balance:	Double Negative (--)
Dedicated Exhaust System:	No
Occupancy:	None
AC Load (Equipment):	None
AC Load-(Light):	As Required
Notes:	1) Admit make-up air through the door undercut and transfer grille (if required) from the adjoining areas.

PLUMBING AND MEDICAL GASES

Cold Water:	Yes
Hot Water:	Yes
Laboratory Air:	--
Laboratory Vacuum:	--
Sanitary Drain:	Yes
Reagent Grade Water:	--
Medical Air:	--
Medical Vacuum:	--
Oxygen:	--
Notes:	--

Soiled Utility Room (USCL1)

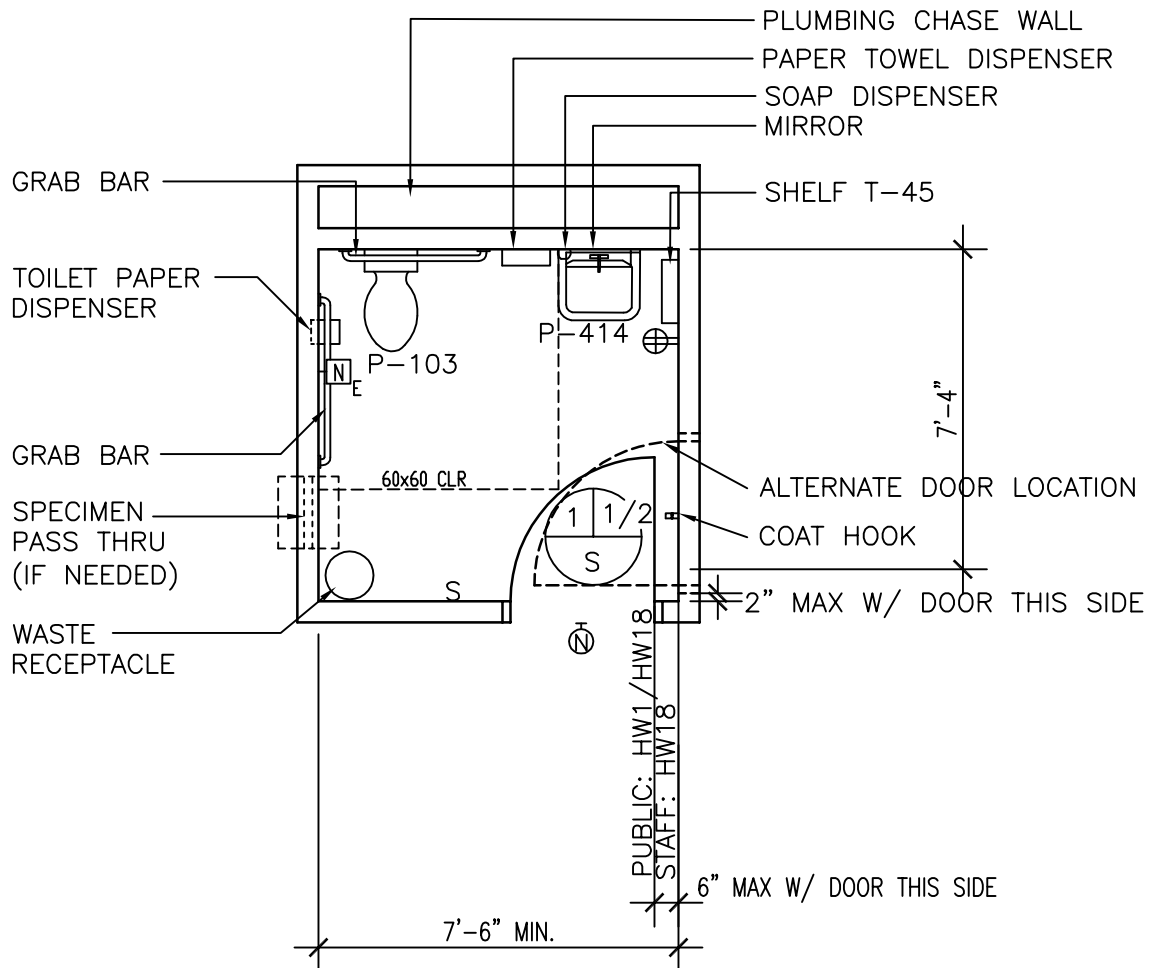
Equipment List

JSN	SYMBOL	QTY	AI	DESCRIPTION
P3100	P-418	1	CC	Lavatory, sensor control (PG-18-1, MCS 22 40 00)
P6500	P-505	1	CC	Sink, service, clinic, flushing rim, wall hung (PG-18-1, MCS 22 40 00)
		AR	CC	Receptacle, electrical, quadruplex, 120 volt (PG-18-1, MCS 26 27 26)
		1	CC	Nurse call duty station, wall mounted (PG-18-1, MCS 27 52 23)
		1	CC	Outlet, telephone, wall mounted (PG-18-1, MCS 27 15 00)
F0535		2	VV	Cart, utility, corrosion resisting steel, 36" x 18" x 30" (900 mm x 450 mm x 750 mm)
F2000		1	VV	Receptacle, waste, 13" (325 mm) diameter
A5075		1	VV	Dispenser, soap, liquid, wall mounted
A5080		1	VV	Dispenser, paper towel, surface mounted
F0510		AR	VV	Carts, soiled, linen



Toilet, Wheelchair Accessible (TLTF1) (TLTM1) (TLTU1)
Floor Plan

NOTE: DO NOT OVERLAP DOOR SWING WITH ADA/ABA CLEARANCE AT WATER CLOSET.



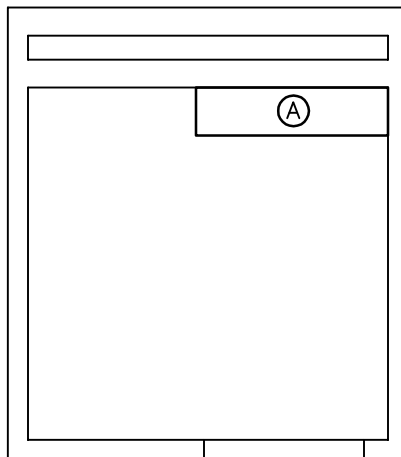
55 NSF/ 3.7 NSM

SCALE $\frac{1}{4}'' = 1'-0''$



NOTE: Guide plates are graphical representations of selected room types, illustrating the integration of space, components, systems, and equipment. They provide typical configurations and general technical guidance, and are not intended to be project specific. Specific infrastructure design requirements are contained in VA Design Manuals and Space Planning Criteria located in the VA Technical Information Library.

Toilet, Wheelchair Accessible (TLTF1) (TLTM1) (TLTU1)
Reflected Ceiling Plan



55 NSF/ 3.7 NSM

SCALE $\frac{1}{4}'' = 1'-0''$



NOTE: Guide plates are graphical representations of selected room types, illustrating the integration of space, components, systems, and equipment. They provide typical configurations and general technical guidance, and are not intended to be project specific. Specific infrastructure design requirements are contained in VA Design Manuals and Space Planning Criteria located in the VA Technical Information Library.

Toilet, Wheelchair Accessible (TLTF1) (TLTM1) (TLTU1)

Design Standards

ARCHITECTURAL

Ceiling:	AT
Ceiling Height:	9'-0" (2700 mm)
Wall Finish:	GWB-P
Wainscot:	48" (1200 mm) min., CT
Base:	CT
Floor Finish:	CT
Slab Depression:	--
Sound Protection:	STC 40
Notes:	--

SPECIAL EQUIPMENT

	--
--	----

LIGHTING

General:	--
Special:	--
Notes:	<ol style="list-style-type: none"> 1) Wall mounted fluorescent fixture above mirror. Fixture shall have T8 lamps, 3500°K, CRI-70 (minimum). 2) The foot-candle level is average maintained. 3) Provide ballasts per fixture for desired switching configuration. To provide a uniform lighting level, switch inner lamp(s) on first switch and outer lamps on second switch. 4) Exact quantity, location, and lamping of light fixtures shall be chosen to meet the foot-candle requirement. 5) Fluorescent nurse call light.

POWER

General:	As Shown
Emergency:	As Shown
Notes:	--

COMMUNICATION/SPECIAL SYSTEMS

Data:	--
Telephone:	--
Intercom:	--
Nurse Call:	Yes
Public Address:	--
Radio/Entertainment:	--
MATV:	--
CCTV:	--
MID:	--
Security/Duress:	--
VTEL:	--
VA Satellite TV:	--
Notes:	--

HEATING, VENTILATING AND AIR CONDITIONING

Inside Design Conditions:	(Interior) Conditioned by make-up air (Perimeter) Heating 68°F (20°C) Provide radiant ceiling panels
Minimum Air Changes per Hour:	Highest of: 10 air changes per hour, or 50 CFM (24 liters/sec). Room air balance
100% Exhaust:	Yes
100% Outside Air:	No
Room Air Balance:	Double Negative (--)
Dedicated Exhaust System:	No
Occupancy:	Transient
AC Load-(Equipment):	None
AC Load-(Light):	As Required
Notes:	1) Individual Room Temperature Control: (Interior) Not Required (Perimeter) Required for Heating Mode

PLUMBING AND MEDICAL GASES

Cold Water:	Yes
Hot Water:	Yes
Laboratory Air:	--
Laboratory Vacuum:	--
Sanitary Drain:	Yes
Reagent Grade Water:	--
Medical Air:	--
Medical Vacuum:	--
Oxygen:	--
Notes:	--

Toilet, Wheelchair Accessible (TLTF1) (TLTM1) (TLTU1)

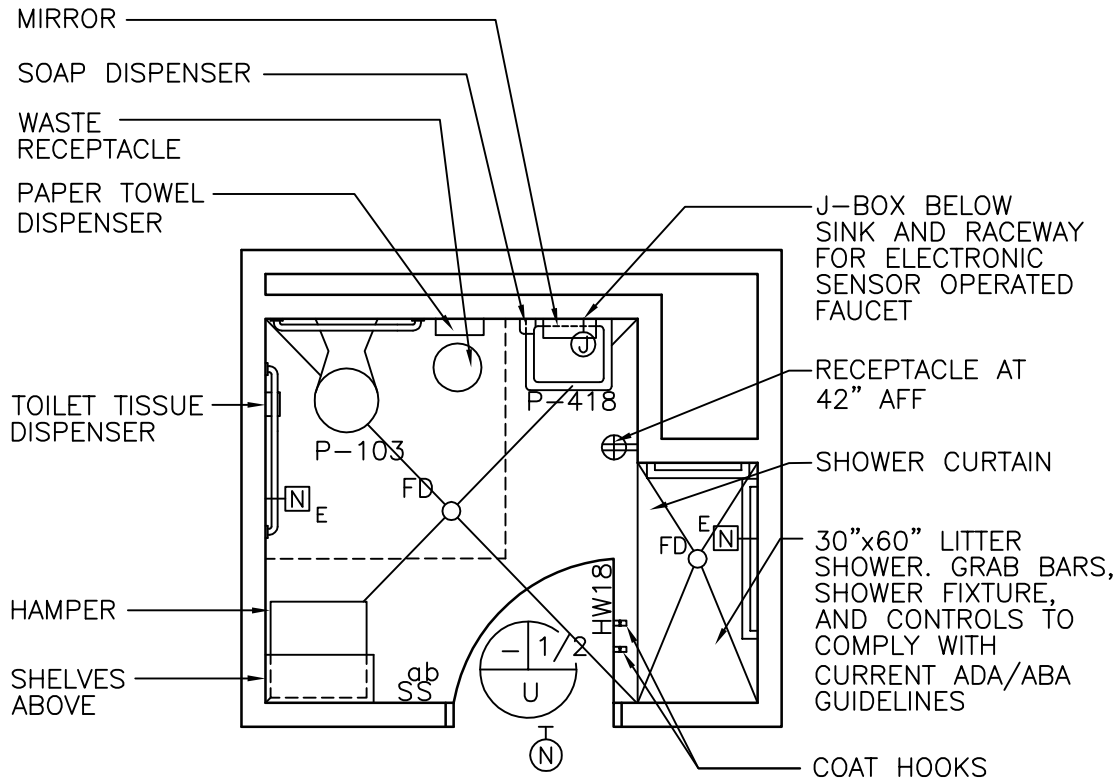
Equipment List

JSN	SYMBOL	QTY	AI	DESCRIPTION
P9150	P-103	1	CC	Water closet, wall hung (PG-18-1, MCS 22 40 00)
A5200		1	CC	Dispenser, toilet tissue, double roll (PG-18-1, MCS 10 28 00; PG-18-4, NCS SD 10 21 13-1)
A5109		AR	CC	Bar, grab for water closet (PG-18-1, MCS 10 28 00; PG-18-4, NCS SD 10 21 13-1)
P3100	P-414	1	CC	Lavatory, straight back (PG-18-1, MCS 22 40 00)
A1066		1	CC	Mirror, 24" x 36" (600 mm x 900 mm) over wheelchair lavatory (PG-18-1, MCS 10 28 00; PG-18-4, NCS SD 10 28 00-3)
A5162	T-45	1	CC	Shelf, stainless steel, wall hung, 6" x 18" (150 mm x 450 mm) (PG-18-1, MCS 10 28 00)
		1	CC	Light, over mirror (PG-18-1, MCS 26 51 00)
		AR	CC	Receptacle, electrical, duplex, with ground fault interrupter (PG-18-1, MCS 26 27 26)
		1	CC	Nurse call, emergency station, with corridor signal light, provide pull cord by water closet (PG-18-1, MCS 27 52 23). Omit in staff toilet.
A5145		1	VV	Hook, coat, wall mounted
A5075		1	VV	Dispenser, soap, liquid, wall mounted
A5080		1	VV	Dispenser, paper towel, surface mounted
F2017		1	VV	Receptacle, waste, step on type, approx. 12" (300 mm) diameter
				Note: Provide following only when clinic has a laboratory.
		1	CC	Specimen pass-thru, to general lab (PG-18-1, MCS 10 28 00)



Toilet/ Shower, Wheelchair (TLTS1)

Floor Plan



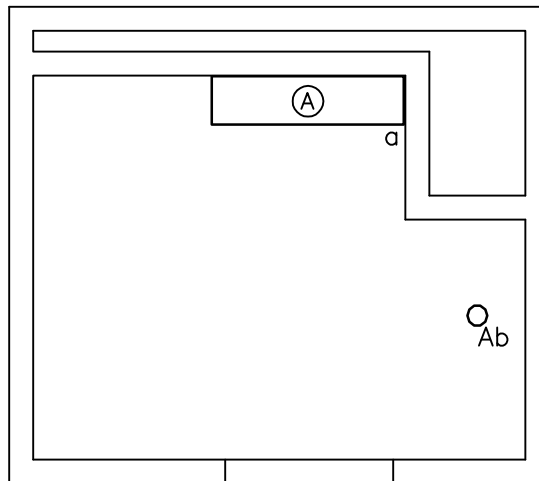
75 NSF/ 7.0 NSM

SCALE $\frac{1}{4}'' = 1'-0''$



NOTE: Guide plates are graphical representations of selected room types, illustrating the integration of space, components, systems, and equipment. They provide typical configurations and general technical guidance, and are not intended to be project specific. Specific infrastructure design requirements are contained in VA Design Manuals and Space Planning Criteria located in the VA Technical Information Library.

Toilet/ Shower, Wheelchair (TLTS1)
Reflected Ceiling Plan



75 NSF/ 7.0 NSM

SCALE $\frac{1}{4}$ " = 1'-0"



NOTE: Guide plates are graphical representations of selected room types, illustrating the integration of space, components, systems, and equipment. They provide typical configurations and general technical guidance, and are not intended to be project specific. Specific infrastructure design requirements are contained in VA Design Manuals and Space Planning Criteria located in the VA Technical Information Library.

Toilet/ Shower, Wheelchair (TLTS1)

Design Standards

ARCHITECTURAL

Ceiling: PCP-P/GWB-EPY/PL-EPY
 Ceiling Height: 9'-0" (2700 mm)
 Wall Finish: CT
 Wainscot: --
 Base: CT
 Floor Finish: CT (Slip Resistant)
 Slab Depression: 3" (75 mm) depression to allow entire floor area to slope to drain
 Notes: 1) 3'-6" (1050 mm) wide door

SPECIAL EQUIPMENT

--

LIGHTING

General: --
 Special: --
 Notes: 1) Recessed fluorescent lensed fixture. UL listed for wet locations.
 2) Wall mounted fluorescent fixture above mirror. Fixture shall have T8 lamps, 3500°K, CRI=70 (minimum).
 3) The foot-candle level is average maintained.
 4) Provide ballasts per fixture for desired switching configuration. To provide a uniform lighting level, switch inner lamp(s) on first switch and outer lamps on second switch.
 5) Exact quantity, location, and lamping of light fixtures shall be chosen to meet the foot-candle requirement.
 6) Fluorescent nurse call light.

POWER

General: As Shown
 Emergency: As Shown
 Notes: --

COMMUNICATION/SPECIAL SYSTEMS

Data: --
 Telephone: --
 Intercom: --
 Nurse Call: Yes
 Public Address: --
 Radio/Entertainment: --
 MATV: --
 CCTV: --
 MID: --
 Security/Duress: --
 VTEL: --
 VA Satellite TV: --
 Notes: --

HEATING, VENTILATING AND AIR CONDITIONING

Inside Design Conditions:
 (Interior) Conditions by make-up air
 (Perimeter) Heating 68°F (20°C)
 Provide radiant ceiling panels
 Minimum Air Changes per Hour: Highest of:
 10 air changes per hour, or
 50 CFM (24 liters/sec), or
 Room air balance
 100% Exhaust: Yes
 100% Outside Air: No
 Room Air Balance: Double Negative (--)
 Dedicated Exhaust System: No
 Occupancy: Transient
 AC Load-(Equipment): None
 AC Load-(Light): As Required
 Notes: 1) Individual Room Temperature Control:
 (Interior) Not Required
 (Perimeter) Required for Heating Mode

PLUMBING AND MEDICAL GASES

Cold Water: Yes
 Hot Water: Yes
 Laboratory Air: --
 Laboratory Vacuum: --
 Sanitary Drain: Yes
 Reagent Grade Water: --
 Medical Air: --
 Medical Vacuum: --
 Oxygen: --
 Notes: --

Toilet/ Shower, Wheelchair (TLTS1)

Equipment List

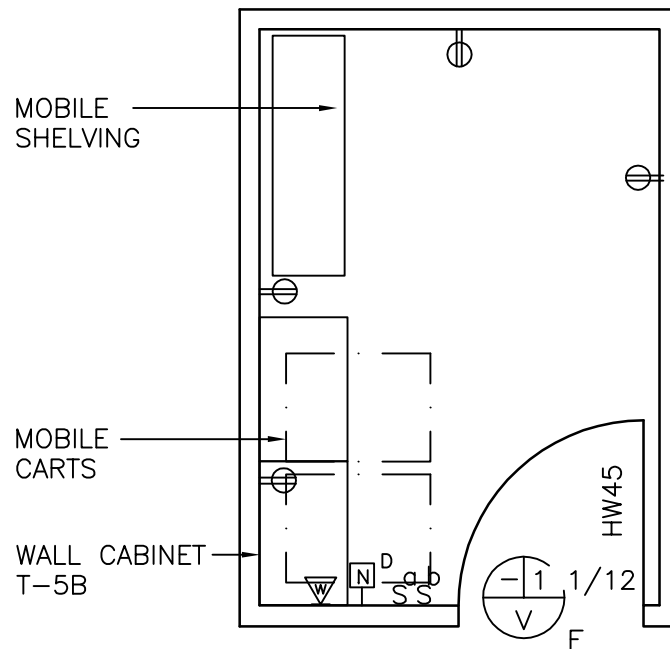
JSN	SYMBOL	QTY	AI	DESCRIPTION
P9150	P-103	1	CC	Water closet, wall hung (PG-18-1, MCS 22 40 00)
A5109		AR	CC	Bar, grab for water closet (PG-18-1, MCS 10 28 00; PG-18-4, NCS SD-10 21 13-1)
A5200		1	CC	Dispenser, toilet tissue, double roll (PG-18-1, MCS 10 28 00)
P3100	P-418	1	CC	Lavatory, sensor control (PG-18-1, MCS 22 40 00)
A5080		1	CC	Dispenser, paper towel and disposal combination units (PG-18-1, MCS 10 28 00)
A1066		1	CC	Mirror, wheelchair, 24" W X 36" H (600 mm W x 900 mm H) (PG-18-1, MCS 10 28 00; PG-18-4, NCS SD-10 28 00-3)
		AR	CC	Nurse call, emergency station with pull cord and corridor signal light. Omit for staff toilet/shower.
		AR	CC	Receptacle, electrical, duplex, with ground fault interrupter (PG-18-1, MCS 26 27 26)
A5145		2	VV	Hook, coat
A5075		1	VV	Dispenser, soap, liquid, wall mounted
F2017		1	VV	Receptacle, waste, step-on type, approx. 12" (300 mm) diameter

SHOWER

JSN	SYMBOL	QTY	AI	DESCRIPTION
P5040	P-703	1	CC	Shower fixture (PG-18-1, MCS 22 40 00)
A5110		AR	CC	Grab bar, shower (PG-18-1, MCS 10 28 00)
A5175		1	CC	Soap dish, recessed (PG-18-1, MCS 10 28 00)
A5185		1	CC	Track, shower curtain, with hooks, ceiling mounted (PG-18-1, MCS 10 28 00)
A5162		2	CC	Shelves, wall mounted, adjustable 10" D x 30" (250 mm D x 750 mm); minimum 40" (1000 mm), maximum 56" (1425 mm) AFF (PG-18-1, MCS 12 32 00 or 12 36 00)
A5170		1	VV	Curtain, shower
M3070		1	VV	Hamper, soiled linen and towels



ER: Clean Utility Room (UCCL1)
Floor Plan



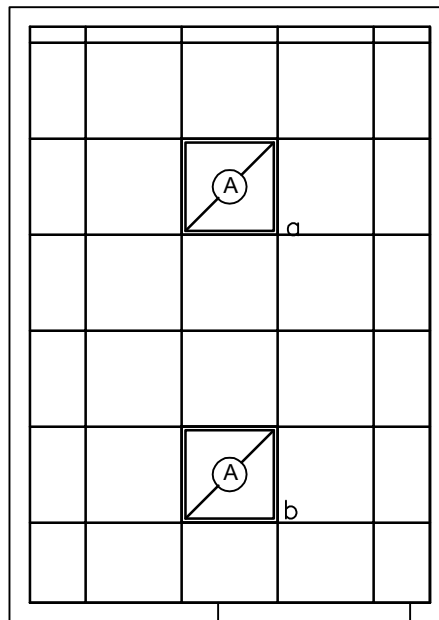
100 NSF/ 9.4 NSM

SCALE $\frac{1}{4}'' = 1'-0''$



NOTE: Guide plates are graphical representations of selected room types, illustrating the integration of space, components, systems, and equipment. They provide typical configurations and general technical guidance, and are not intended to be project specific. Specific infrastructure design requirements are contained in VA Design Manuals and Space Planning Criteria located in the VA Technical Information Library.

ER: Clean Utility Room (UCCL1)
Reflected Ceiling Plan



100 NSF/ 9.4 NSM

SCALE $\frac{1}{4}'' = 1'-0''$



NOTE: Guide plates are graphical representations of selected room types, illustrating the integration of space, components, systems, and equipment. They provide typical configurations and general technical guidance, and are not intended to be project specific. Specific infrastructure design requirements are contained in VA Design Manuals and Space Planning Criteria located in the VA Technical Information Library.

ER: Clean Utility Room (UCCL1)

Design Standards

ARCHITECTURAL

Ceiling:	AT (SP)
Ceiling Height:	9'-0" (2700 mm)
Wall Finish:	GWB (SC)
Wainscot:	--
Base:	RB
Floor Finish:	VCT
Slab Depression:	--
Sound Protection:	--
Notes:	--

SPECIAL EQUIPMENT

	--
--	----

LIGHTING

General:	--
Special:	--
Notes:	<ol style="list-style-type: none"> 1) Recessed 2' x 2' (600 mm x 600 mm) fluorescent light fixture with acrylic prismatic lens, T8 lamps, 3500°K, CRI=70 (minimum). 2) The foot-candle level is average maintained. 3) Provide ballasts per fixture for desired switching configuration. To provide a uniform lighting level, switch inner lamp(s) on first switch and outer lamps on second switch. 4) Exact quantity, location, and lamping of light fixtures shall be chosen to meet the foot-candle requirement.

POWER

General:	As Shown
Emergency:	As Shown
Notes:	--

COMMUNICATION/SPECIAL SYSTEMS

Data:	--
Telephone:	Yes
Intercom:	--
Nurse Call:	Yes
Public Address:	--
Radio/Entertainment:	--
MATV:	--
CCTV:	--
MID:	--
Security/Duress:	--
VTEL:	--
VA Satellite TV:	--
Notes:	--

HEATING, VENTILATING AND AIR CONDITIONING

Inside Design Conditions:	70°F (21°C) to 75°F (24°C) Dry-Bulb Temperature
	30 Percent to 50 Percent Relative Humidity
Minimum Air Changes per Hour:	4
100% Exhaust:	No
100% Outside Air:	No
Room Air Balance:	Positive (+)
Dedicated Exhaust System:	Not Required
Occupancy:	Not Applicable
AC Load-(Equipment):	As Required
AC Load-(Light):	As Required
Notes:	--

PLUMBING AND MEDICAL GASES

Cold Water:	Yes
Hot Water:	Yes
Laboratory Air:	--
Laboratory Vacuum:	--
Sanitary Drain:	Yes
Reagent Grade Water:	--
Medical Air:	--
Medical Vacuum:	--
Oxygen:	--
Notes:	--

ER: Clean Utility Room (UCCL1)

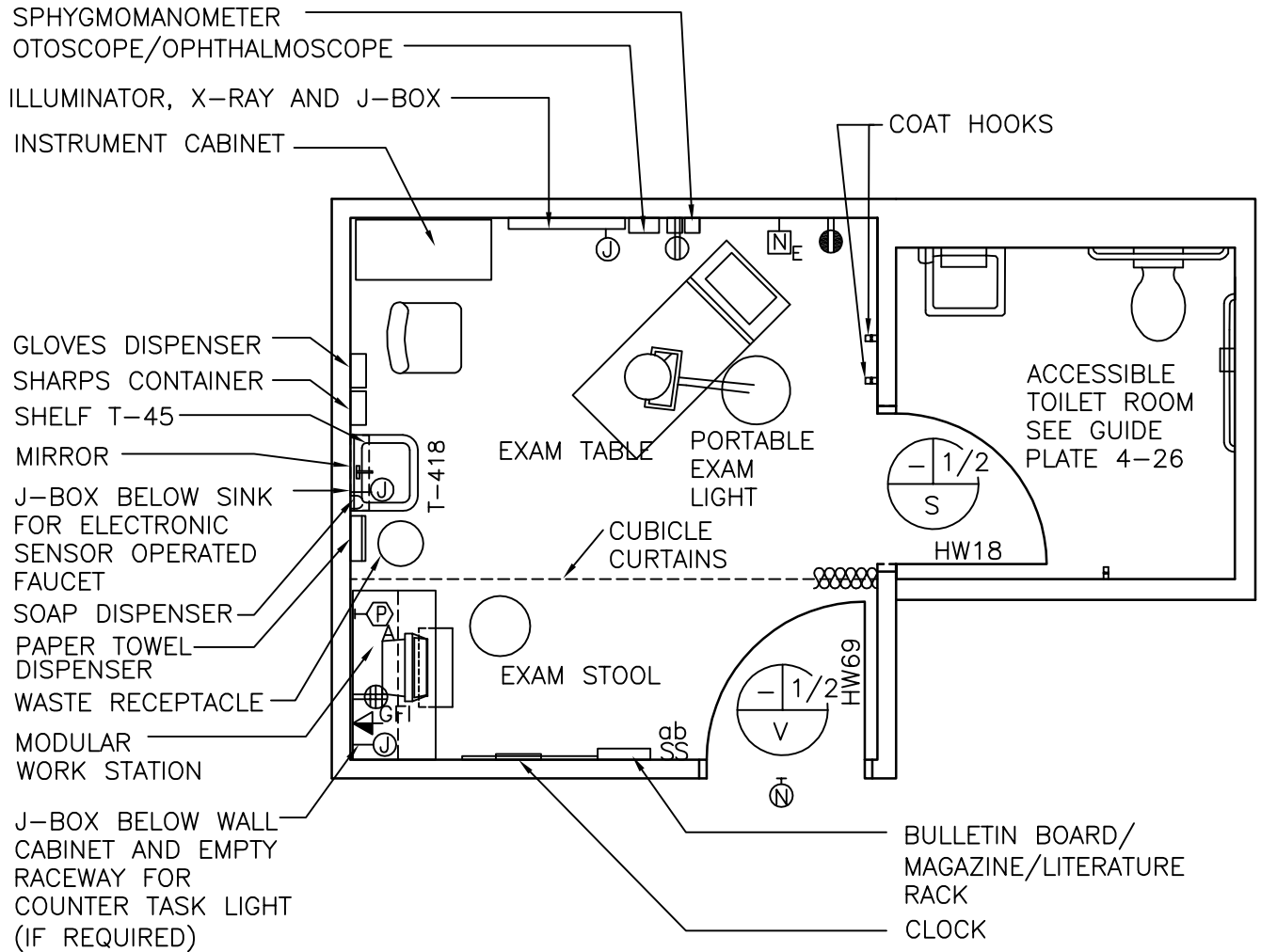
Equipment List

JSN	SYMBOL	QTY	AI	DESCRIPTION
CD040	T-5B	AR	CC	Cabinet, wall, with sloping top, 2 hinged doors and 2 adjustable shelves, 36" x 22" x 42" (900 mm x 550 mm x 1050 mm) (PG-18-1, MCS 12 31 00)
		AR	CC	Receptacle, electrical, duplex, 120 volt (PG-18-1, MCS 26 27 26)
A1010		AR	CC	Outlet, telephone, wall mounted (PG-18-1, MCS 27 15 00)
		1	CC	Nurse call duty station (PG-18-1, MCS 27 52 23)
M2050		AR	VV	Shelving, storage, mobile, steel, rod shelf, open style with 5 adjustable shelves
E0945		AR	VV	Cart, mobile with adjustable shelves, 27" x 36" x 38" (675 mm x 900 mm x 950 mm)



ER: Exam Room, Isolation (EXRG6)

Floor Plan



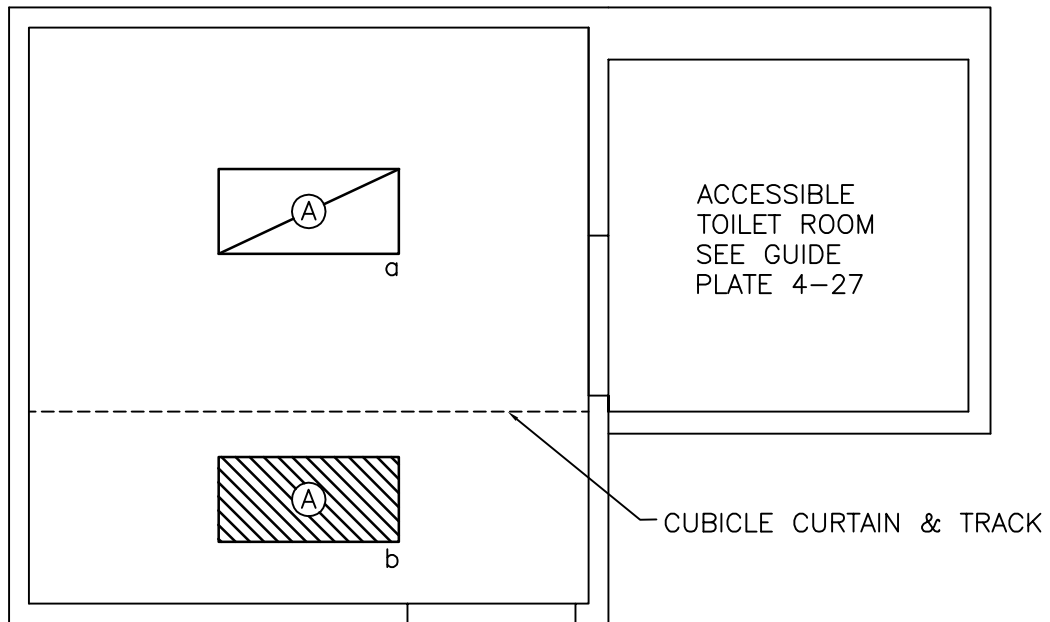
140 NSF/ 13.1 NSM
Plus toilet at 55 NSF

SCALE 1/4" = 1'-0"



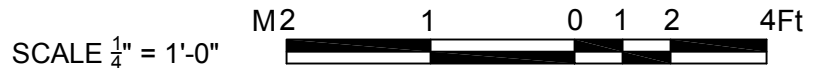
NOTE: Guide plates are graphical representations of selected room types, illustrating the integration of space, components, systems, and equipment. They provide typical configurations and general technical guidance, and are not intended to be project specific. Specific infrastructure design requirements are contained in VA Design Manuals and Space Planning Criteria located in the VA Technical Information Library.

ER: Exam Room, Isolation (EXRG6)
Reflected Ceiling Plan



NOTE: USE LAYOUT FROM EXRG3 EXCEPT HARD CEILING

140 NSF/ 13.1 NSM
Plus toilet at 55 NSF



NOTE: Guide plates are graphical representations of selected room types, illustrating the integration of space, components, systems, and equipment. They provide typical configurations and general technical guidance, and are not intended to be project specific. Specific infrastructure design requirements are contained in VA Design Manuals and Space Planning Criteria located in the VA Technical Information Library.

ER: Exam Room, Isolation (EXRG6)

Design Standards

ARCHITECTURAL

Ceiling:	GWB-P
Ceiling Height:	9'-0" (2700 mm)
Wall Finish:	GWB-P
Wainscot:	CT in Toilet Room
Base:	RB; CT in Toilet Room
Floor Finish:	VCT; CT in Toilet Room
Slab Depression:	--
Sound Protection:	STC 40
Notes:	--

SPECIAL EQUIPMENT

--

LIGHTING

General:	--
Special:	--
Notes:	<ol style="list-style-type: none"> 1) 2' x 4' (600 mm x 1200 mm) recessed fluorescent fixture with acrylic prismatic lens. 2) Lamps in exam room shall have a color temperature of 3500°K and color rendering index (CRI) not less than 70. 3) All fluorescent lamps shall be rapid start F32T8. 4) The foot-candle level is average maintained. 5) Provide ballasts per fixture for desired switching configuration. To provide a uniform lighting level, switch inner lamp(s) on first switch and outer lamps on second switch. 6) Exact quantity, location, and lamping of light fixtures shall be chosen to meet the foot-candle requirement.

POWER

General:	As Shown
Emergency:	As Shown
Notes:	<ol style="list-style-type: none"> 1) Junction box x-ray illuminator. Connect per equipment manufacturer. 2) Portable exam light. 3) Coordinate location and height of work station receptacles with modular furniture. 4) Exam table may be wall outlet connected.

COMMUNICATION/SPECIAL SYSTEMS

Data:	Yes
Telephone:	Yes
Intercom:	--
Nurse Call:	Yes
Public Address:	--
Radio/Entertainment:	--
MATV:	--
CCTV:	--
MID:	--
Security/Duress:	Yes
VTEL:	--
VA Satellite TV:	--
Notes:	1) Coordinate location and height of work station telephone/data outlets with modular furniture.

HEATING, VENTILATING AND AIR CONDITIONING

Inside Design Conditions:	70°F (21°C) to 75°F (24°C) Dry-Bulb Temperature
	30 Percent to 50 Percent Relative Humidity
Minimum Air Changes per Hour:	12
100% Exhaust:	Yes
100% Outside Air:	No
Room Air Balance:	Positive (+) or Negative (-) depending on room type
	Negative (-) Toilet
Dedicated Exhaust System:	No
Occupancy:	2
AC Load-(Equipment):	As Required
AC Load-(Light):	As Required
Notes:	1) Year around conditions.

PLUMBING AND MEDICAL GASES

Cold Water:	Yes
Hot Water:	Yes
Laboratory Air:	--
Laboratory Vacuum:	--
Sanitary Drain:	Yes
Reagent Grade Water:	--
Medical Air:	--
Medical Vacuum:	--
Oxygen:	--
Notes:	--

ER: Exam Room, Isolation (EXRG6)

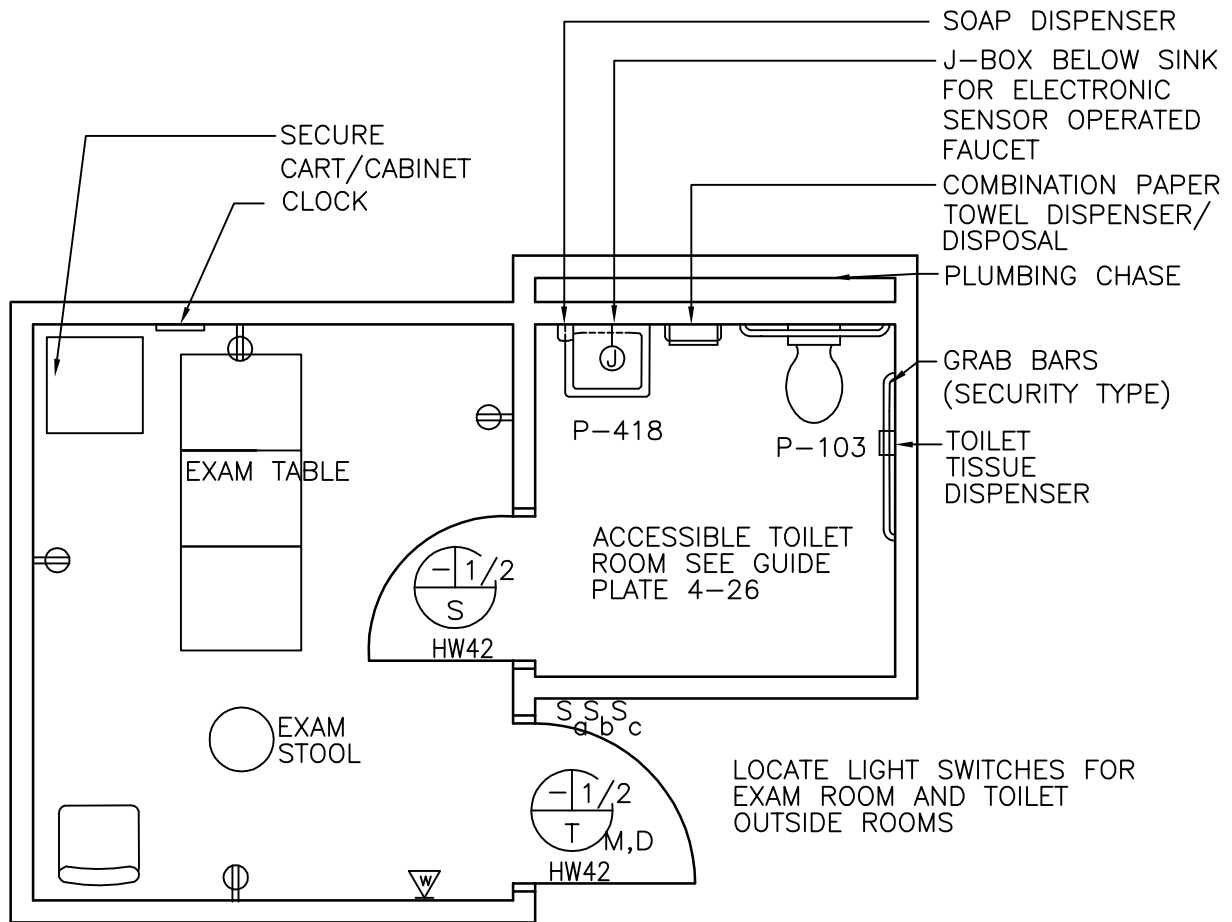
Equipment List

JSN	SYMBOL	QTY	AI	DESCRIPTION
P3100	P-418	1	CC	Lavatory, sensor control (PG-18-1, MCS 22 40 00; PG-18-4, NCS SD 22 40 00). Provide plaster trap.
A5165	T45	1	CC	Shelf, corrosion resisting steel, 12" W x 5" D (300 mm W x 125 mm D) (PG-18-1, MCS 10 28 00; PG-18-4, NCS SD 10 28 00-4)
A5180		1	CC	Track, curtain, cubicle, ceiling type, surface mounted (PG-18-1, MCS 10 21 23)
A1010		1	CC	Outlet, telephone/data, wall mounted (PG-18-1, MCS 27 15 00)
		1	CC	Receptacle, electrical, quadruplex, ground fault interrupter, for computer equipment items (PG-18-1, MCS 26 27 26)
		AR	CC	Receptacle, electrical, duplex (PG-18-1, MCS 26 27 26)
		1	CC	Alarm button, security/duress (PG-18-1, MCS 27 52 31)
A1066		1	CC	Mirror, 24" x 36" (600 mm x 900 mm) (PG-18-1, MCS 10 28 00; PG-18-4, NCS SD 10 28 00-4)
		AR	CC	Nurse call, Code 1 (blue), emergency station with pull cord and corridor signal light (PG-18-1, MCS 27 52 23)
M3085		1	VV	Cabinet, instrument and treatment, 36" W x 16" D x 78" H (900 mm W x 400 mm D x 1950 mm H)
F0210		1	VV	Chair, straight, without arms
F3200		1	VV	Clock, atomic, battery operated
M1801		1	VV	Desktop PC with keyboard
E0210		1	VV	Modular work station with under counter keyboard tray, overhead storage, and wall hanger strips.
A5080		1	VV	Dispenser, paper towel, surface mounted
A5075		1	VV	Dispenser, soap, liquid, wall mounted
A5145		2	VV	Hook, coat, wall mounted
X3930		AR	VV	Illuminator, x-ray film, 120 volts, wall mounted, individual switch for two, 14" x 17" (350 mm x 425 mm) radiographs, 31" W x 20" H (775 mm W x 500 mm H)
M7401		AR	VV	Light, examining, portable, 120 volts, approx. 18" diameter x 75" H (450 mm diameter x 1875 mm H)
M4200		1	VV	Otoscope/ophthalmoscope, wall hung
F2017		1	VV	Receptacle, waste, step on type, approx. 12" (300 mm) diameter
M4100		1	VV	Sphygmomanometer, wall hung
F3010 or F3025		1	VV	Bulletin board, 30" x 42" (750 mm x 1050 mm)
F0340		1	VV	Stool, examining, adjustable
F2300		1	VV	Magazine/literature rack, wall mounted
M9066		1	VV	Table, examining and treatment, motorized
A5180		1	VV	Curtain, cubicle
A5106		1	VV	Sharps container
A5106		1	VV	Glove dispenser



ER: Exam Room Security (OPMH4) Toilet (TLTP1)

Floor Plan



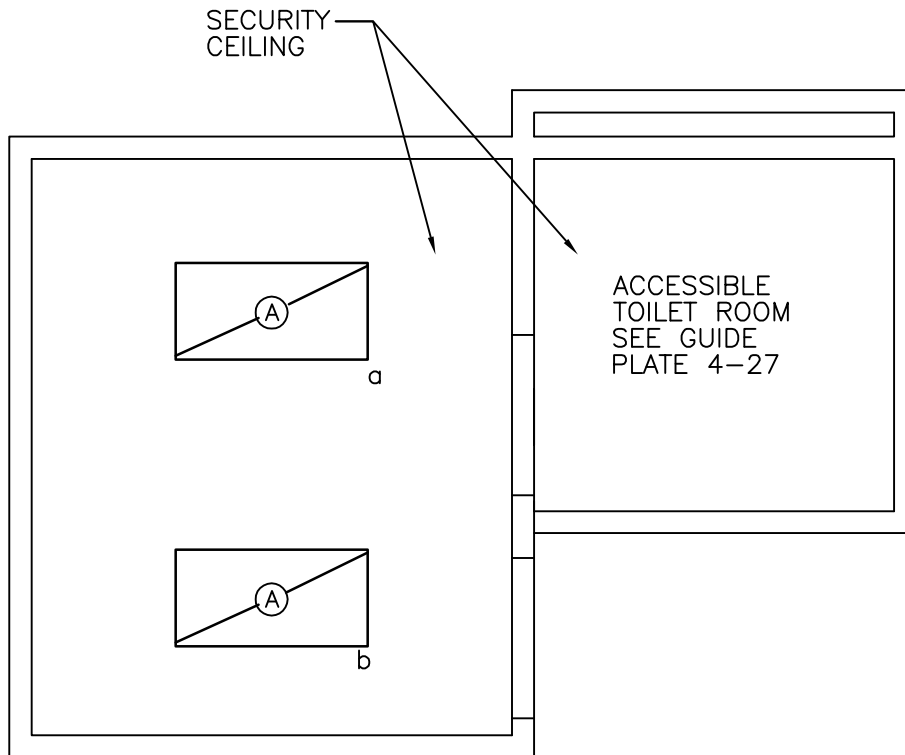
120 NSF/ 11.2 NSM
Plus toilet at 55 NSF

SCALE 1/4" = 1'-0"



NOTE: Guide plates are graphical representations of selected room types, illustrating the integration of space, components, systems, and equipment. They provide typical configurations and general technical guidance, and are not intended to be project specific. Specific infrastructure design requirements are contained in VA Design Manuals and Space Planning Criteria located in the VA Technical Information Library.

ER: Exam Room Security (OPMH4) Toilet (TLTP1)
Reflected Ceiling Plan



120 NSF/ 11.2 NSM
Plus toilet at 55 NSF

SCALE $\frac{1}{4}'' = 1'-0''$



NOTE: Guide plates are graphical representations of selected room types, illustrating the integration of space, components, systems, and equipment. They provide typical configurations and general technical guidance, and are not intended to be project specific. Specific infrastructure design requirements are contained in VA Design Manuals and Space Planning Criteria located in the VA Technical Information Library.

ER: Exam Room Security (OPMH4) Toilet (TLTP1)

Design Standards

ARCHITECTURAL-EXAM ROOM

Ceiling: GWB-P/PL-P
 Ceiling Height: 9'-0" (2700 mm)
 Wall Finish: GWB-P/PL-P
 Wainscot: --
 Base: RB
 Floor Finish: VCT
 Slab Depression: --
 Notes: 1) Reinforce walls and ceiling for security, PG-18-3, Topic 14, PG-18-10, Architectural Design Manual.

ARCHITECTURAL-TOILET

Ceiling: GWB-P/PL-P
 Ceiling Height: 9'-0" (2700 mm)
 Wall Finish: GWB-P/PL-P
 Wainscot: CT 48" (1200 mm)
 Base: CT
 Floor Finish: CT
 Slab Depression: --
 Notes: --

SPECIAL EQUIPMENT

--

LIGHTING

General: --
 Special: Security Type Fixtures
 Notes: 1) 2' x 4' (600 mm x 1200 mm) recessed fluorescent light fixture, acrylic prismatic lens, w/ F32T8 lamps, 3500°K, CRI=70 (minimum).
 2) Wall mounted fluorescent light fixture, acrylic prismatic lens, w/ F32T8 lamps, 3500°K, CRI=70 (minimum). U.L. listed for wet locations.
 3) The foot-candle level is average maintained.
 4) Provide ballasts per fixture for desired switching configuration. To provide a uniform lighting level, switch inner lamp(s) on first switch and outer lamps on second switch.
 5) Exact quantity, location, and lamping of light fixtures shall be chosen to meet the foot-candle requirement.

POWER

General: As Shown
 Emergency: As Shown
 Notes: 1) Exam table may be wall outlet connected.

COMMUNICATION/SPECIAL SYSTEMS

Data: --
 Telephone: Yes
 Intercom: --
 Nurse Call: --
 Public Address: --
 Radio/Entertainment: --
 MATV: --
 CCTV: --
 MID: --
 Security/Duress: --
 VTEL: --
 VA Satellite TV: --
 Notes: --

HEATING, VENTILATING AND AIR CONDITIONING

Inside Design Conditions: 70°F (21°C) to 75°F (24°C) Dry-Bulb Temperature
 30 Percent to 50 Percent Relative Humidity
 Minimum Air Changes per Hour: 6 Exam Room (Supply)
 10 Toilet (Exhaust)
 100% Exhaust: Yes (Toilet Only)
 100% Outside Air: No
 Room Air Balance: Negative (-) Toilet
 Neutral (0) Exam Room
 Dedicated Exhaust System: No
 Occupancy: 3
 AC Load (Equipment): As Required
 AC Load-(Light): As Required
 Notes: 1) Year around conditions in Exam Room.

PLUMBING AND MEDICAL GASES

Cold Water: Yes
 Hot Water: Yes
 Laboratory Air: --
 Laboratory Vacuum: --
 Sanitary Drain: Yes
 Reagent Grade Water: --
 Medical Air: --
 Medical Vacuum: --
 Oxygen: --
 Notes: --

ER: Exam Room Security (OPMH4) Toilet (TLTP1)

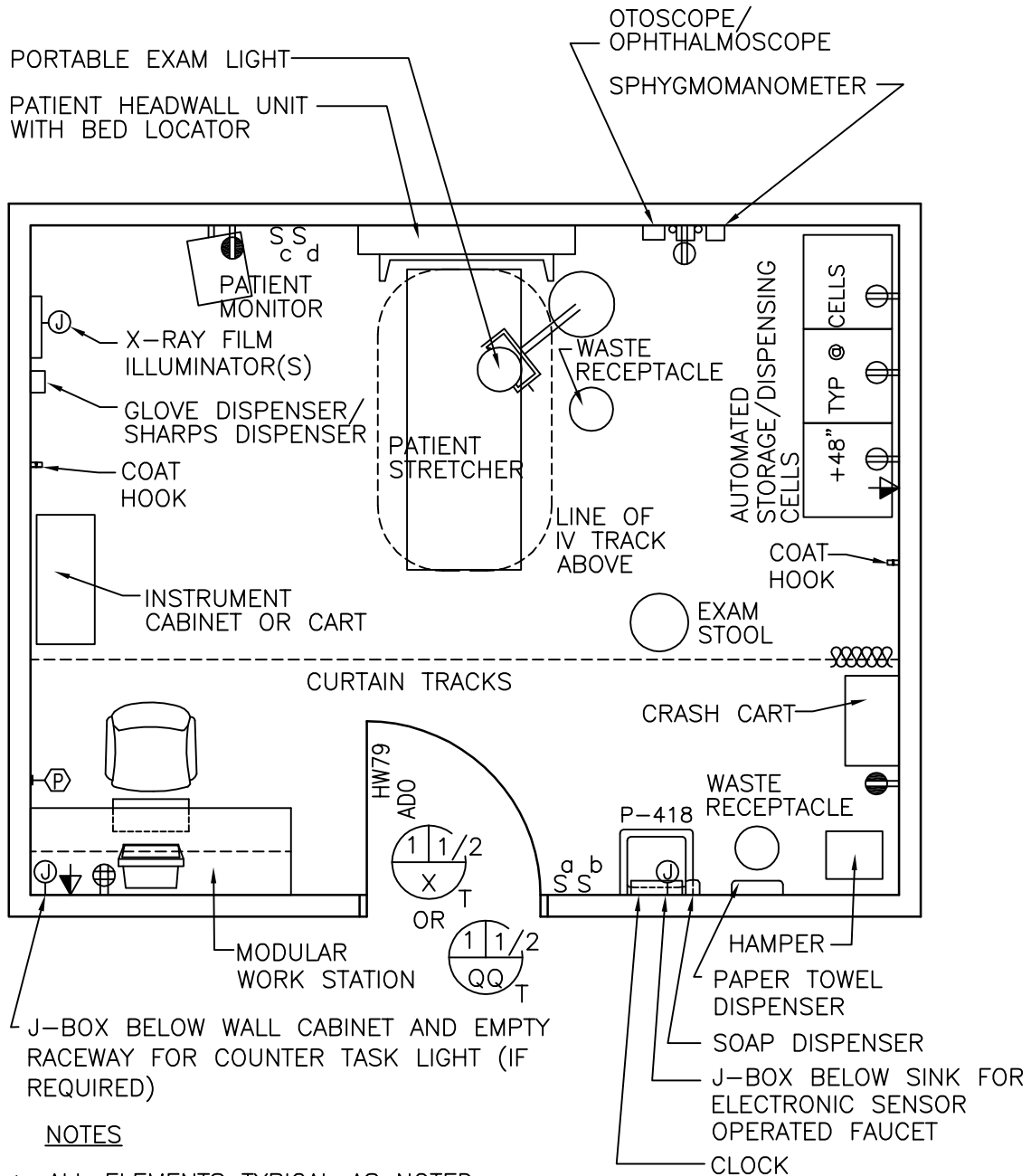
Equipment List

EXAMINATION ROOM				
JSN	SYMBOL	QTY	AI	DESCRIPTION
		AR	C	Receptacle, duplex (PG-18-1, MCS 26 27 26)
A1010		1	CC	Outlet, telephone, wall mounted (PG-18-1, MCS 27 15 00)
M9025		1	VV	Table, examining, padded, adjustable top, approx. 74" x 21" x 30" (1850 mm x 525 mm x 750 mm)
F3200		1	VV	Clock, atomic, battery operated
F0205		1	VV	Chair, straight, with arms
F0340		1	VV	Stool, revolving, approx. 13" (325 mm) diameter seat, 19-1/2" (495 mm) base
E0960		AR	VV	Cabinet or cart, secure

TOILET ROOM				
JSN	SYMBOL	QTY	AI	DESCRIPTION
P9150	P-103	1	CC	Water closet, wall hung (PG-18-1, MCS 22 40 00)
A5200		1	CC	Dispenser, toilet tissue, double roll (PG-18-1, MCS 10 28 00)
P3100	P-418	1	CC	Lavatory, sensor control (PG-18-1, MCS 22 40 00)
A5080		1	CC	Dispenser, paper towel and disposal combination unit (PG-18-1, MCS 10 28 00)
A5109		AR	CC	Grab bar, security type (PG-18-1, MCS 10 28 00)
A5075		1	VV	Dispenser, soap, liquid, wall mounted



ER: Life Support Unit (TRET3)
 Floor Plan



J-BOX BELOW WALL CABINET AND EMPTY RACEWAY FOR COUNTER TASK LIGHT (IF REQUIRED)

NOTES

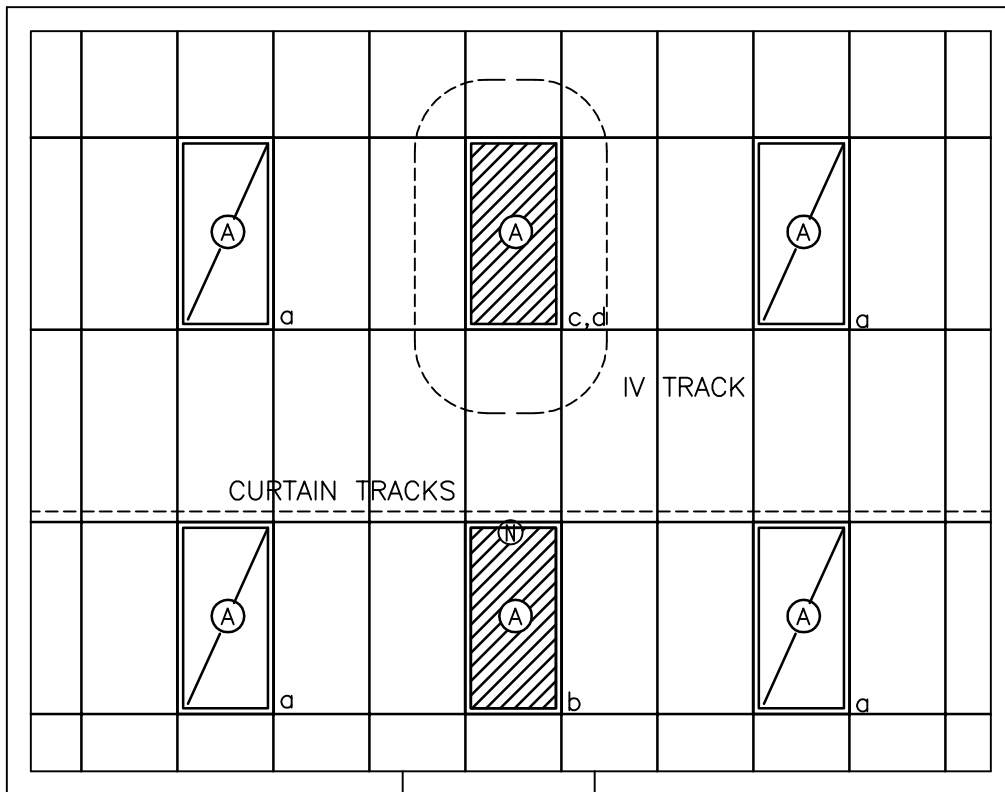
1. ALL ELEMENTS TYPICAL AS NOTED.
2. QUANTITY OF PATIENT CUBICLES WILL VARY BY PROJECT.
3. ALLOW 9.3 NSM/100 NSF PER CUBICLE.

300 NSF/ 27.8 NSM
 Diagram includes 90 NSF/9.3 NSM for circulation

SCALE $\frac{1}{4}'' = 1'-0''$ M2 1 0 1 2 4Ft

NOTE: Guide plates are graphical representations of selected room types, illustrating the integration of space, components, systems, and equipment. They provide typical configurations and general technical guidance, and are not intended to be project specific. Specific infrastructure design requirements are contained in VA Design Manuals and Space Planning Criteria located in the VA Technical Information Library.

ER: Life Support Unit (TRET3)
 Reflected Ceiling Plan



300 NSF/ 27.8 NSM

Diagram includes 90 NSF/9.3 NSM for circulation

SCALE $\frac{1}{4}'' = 1'-0''$



NOTE: Guide plates are graphical representations of selected room types, illustrating the integration of space, components, systems, and equipment. They provide typical configurations and general technical guidance, and are not intended to be project specific. Specific infrastructure design requirements are contained in VA Design Manuals and Space Planning Criteria located in the VA Technical Information Library.

ER: Life Support Unit (TRET3)

Design Standards

ARCHITECTURAL

Ceiling: AT (SP)
 Ceiling Height: 9'-0" (2700 mm)
 Wall Finish: PL-SC/GWB-SC
 Wainscot: --
 Base: RSF 6" (150 mm) Integral Cove
 Floor Finish: RSF
 Slab Depression: --
 Notes: 1) Provide 4'-0" (1200 mm) automatic door and operator with remote push-plate operation

SPECIAL EQUIPMENT

LIGHTING

General: --
 Special: --
 Notes: 1) 2' x 4' (600 mm x 1200 mm) recessed fluorescent light fixture, acrylic prismatic lens, w/ F32T8 lamps, 5000°K, CRI=85 (minimum).
 2) The foot-candle level is average maintained.
 3) Provide ballasts per fixture for desired switching configuration. To provide a uniform lighting level, switch inner lamp(s) on first switch and outer lamps on second switch.
 4) Exact quantity, location, and lamping of light fixtures shall be chosen to meet the foot-candle requirement.
 5) Fluorescent nurse call light with 13 W lamp.

POWER

General: As Shown
 Emergency: As Shown
 Notes: 1) PBPU (critical branch); and X-ray Illuminators in emergency power.
 2) Coordinate location and height of work station receptacles with modular furniture.

COMMUNICATION/SPECIAL SYSTEMS

Data: Yes
 Telephone: Yes
 Intercom: --
 Nurse Call: Yes
 Public Address: --
 Radio/Entertainment: --
 MATV: --
 CCTV: --
 MID: --
 Security/Duress: Yes
 VTEL: --
 VA Satellite TV: --
 Notes: 1) Coordinate location and height of work station telephone/data outlets with modular furniture.

HEATING, VENTILATING AND AIR CONDITIONING

Inside Design Conditions: 70°F (21°C) to 75°F (24°C) Dry-Bulb Temperature
 30 Percent to 50 Percent Relative Humidity
 Minimum Air Changes per Hour: 4
 100% Exhaust: No
 100% Outside Air: No
 Room Air Balance: Neutral (0)
 Dedicated Exhaust System: No
 Occupancy: 6
 AC Load (Equipment): As Required
 AC Load-(Light): As Required
 Notes: 1) Year around conditions.

PLUMBING AND MEDICAL GASES

Cold Water: Yes
 Hot Water: Yes
 Laboratory Air: --
 Laboratory Vacuum: --
 Sanitary Drain: Yes
 Reagent Grade Water: --
 Medical Air: Yes
 Medical Vacuum: Yes
 Oxygen: Yes
 Notes: --

ER: Life Support Unit (TRET3)

Equipment List

JSN	SYMBOL	QTY	AI	DESCRIPTION
		1	CC	Prefabricated Bedside Patient Unit; Type 3B (PG-18-1, MCS 10 25 13) (1) Receptacle, electrical, for reading-exam light, location optional (1) Bracket, for stem base reading-exam light (1) Bumper, wraparound, protruding (1) Light, reading-exam, stem base (1) Nurse call, Code 1 (blue) emergency station (1) Outlet, medical air (1) Outlet, oxygen (1) Outlet, medical vacuum
A5180		AR	CC	Track, curtain, cubicle, ceiling type, surface mounted (PG-18-1, MCS 10 21 23)
		1	CC	Bracket, monitor, wall mounted (PG-18-1, MCS 27 41 31)
A1165		AR	CC	Track, IV, ceiling mounted, continuous loop with IV tree (PG-18-1, MCS 10 21 23)
P3100	P-418	1	CC	Lavatory, sensor control (PG-18-1, MCS 22 40 00)
		1	CC	Receptacle, electrical, quadruplex, for computer equipment items (PG-18-1, MCS 26 27 26)
A1010		2	CC	Outlet, telephone/data, wall mounted (PG-18-1, MCS 27 15 00)
		AR	CC	Receptacle, electrical, duplex (PG-18-1, MCS 26 27 26)
		1	CC	Alarm button, security/duress (PG-18-1, MCS 27 52 31)
M3085		1	VV	Cabinet, instrument, surgical, 30" W x 16" D x 72" H (750 mm W x 400 mm D x 1800 mm H)
E0954		1	VV	Cart, cardiac arrest support
F3200		1	VV	Clock, atomic, battery operated
A5180		AR	VV	Curtain, cubicle, 108" x 90" (2700 mm x 2250 mm) (each station)
M7845		1	VV	Monitor, physiological, ECG, HRT, BP, OX
M4655		1	VV	Stretcher, recovery
M3085		AR	VV	Cabinet, instrument and treatment, 36" W x 16" D x 78" H (900 mm W x 400 mm D x 1950 mm H)
M8830		AR	VV	Cart, mobile, instrument, 36" x 20" (900 mm X 500 mm)
F0210		1	VV	Chair, rotary, with arms
M1801		1	VV	Desktop PC with keyboard pullout
E0210		1	VV	Modular work station with under counter keyboard tray, overhead storage, and wall hanger strips.
A5080		1	VV	Dispenser, paper towel, surface mounted
A5075		1	VV	Dispenser, soap, liquid, wall mounted
M3070		1	VV	Hamper, soiled linen, with hinged self closing top 20" (500 mm) diameter
A5145		AR	VV	Hook, coat, wall mounted
X3930		1	VV	Illuminator, x-ray film, 120 volts, wall mounted, individual switch for two, 14" x 17" (350 mm x 425 mm) radiographs, 31" W x 20" H (775 mm W x 500 mm H)
M7401		1	VV	Light, examining, portable, 120 volts, approx. 18" diameter x 75" H (450 mm diameter x 1875 mm H)



Life Support Unit (TRET3) – Cont'd

Equipment List

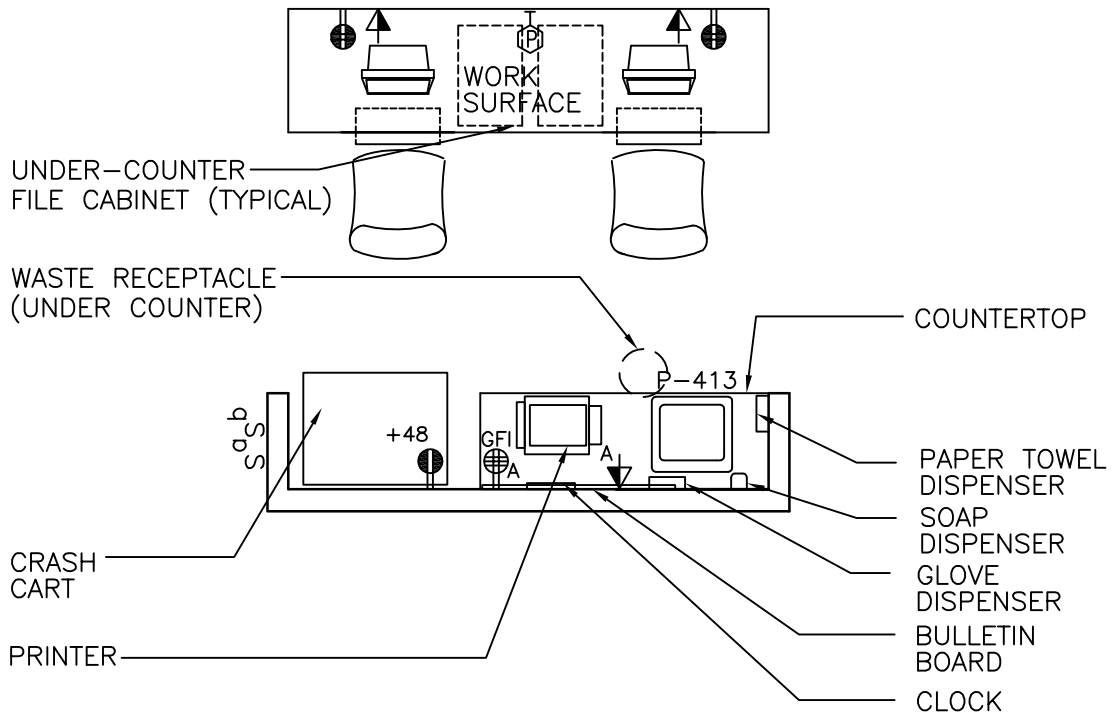
JSN	SYMBOL	QTY	AI	DESCRIPTION
M4200		1	VV	Ophthalmoscope, wall hung
M4200		1	VV	Otoscope, wall hung
F2017		AR	VV	Receptacle, waste, step-on type, approx. 12" (300 mm) diameter
M4100		1	VV	Sphygmomanometer, wall hung
F0340		AR	VV	Stool, examining, adjustable
A5106		1	VV	Sharps container, wall mounted
A5106		1	VV	Glove dispenser, wall mounted
M3150		AR	VV	Automated storage/dispensing unit (cell), secure; approx. 27" W x 25" D x 78" H (675 mm W x 635 mm D x 1950 mm H)



This page intentionally left blank.



ER: Nurse Station/ Communication Center (NSTA1)
 Floor Plan



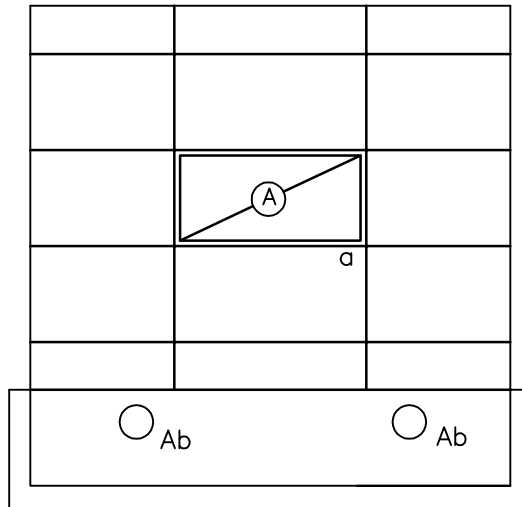
100 NSF/ 9.4 NSM

SCALE 1/4" = 1'-0"



NOTE: Guide plates are graphical representations of selected room types, illustrating the integration of space, components, systems, and equipment. They provide typical configurations and general technical guidance, and are not intended to be project specific. Specific infrastructure design requirements are contained in VA Design Manuals and Space Planning Criteria located in the VA Technical Information Library.

ER: Nurse Station/ Communication Center (NSTA1)
Floor Plan



100 NSF/ 9.4 NSM

SCALE $\frac{1}{4}'' = 1'-0''$



NOTE: Guide plates are graphical representations of selected room types, illustrating the integration of space, components, systems, and equipment. They provide typical configurations and general technical guidance, and are not intended to be project specific. Specific infrastructure design requirements are contained in VA Design Manuals and Space Planning Criteria located in the VA Technical Information Library.

ER: Nurse Station/Communication Center (NSTA1)

Design Standards

ARCHITECTURAL

Ceiling:	AT
Ceiling Height:	9'-0" (2700 mm)
Wall Finish:	GWB-P
Wainscot:	--
Base:	RB
Floor Finish:	VCT
Slab Depression:	--

Notes: 1) Provide 9" toe kick at front of counter.

SPECIAL EQUIPMENT

LIGHTING

General:	--
Special:	--

- Notes:
- 1) Recessed light fixture over counter with fluorescent lamp.
 - 2) 2' x 4' (600 mm x 1200 mm) recessed fluorescent light fixture, parabolic louver, w/ F32T8 lamps, 3500°K, CRI=70 (minimum).
 - 3) The foot-candle level is average maintained.
 - 4) Provide ballasts per fixture for desired switching configuration. To provide a uniform lighting level, switch inner lamp(s) on first switch and outer lamps on second switch.
 - 5) Exact quantity, location, and lamping of light fixtures shall be chosen to meet the foot-candle requirement.

POWER

General:	As Shown
Emergency:	As Shown
Notes:	--

COMMUNICATION/SPECIAL SYSTEMS

Data:	Yes
Telephone:	Yes
Intercom:	--
Nurse Call:	Yes
Public Address:	Yes
Radio/Entertainment:	--
MATV:	--
CCTV:	--
MID:	--
Security/Duress:	Yes
VTEL:	--
VA Satellite TV:	--
Notes: 1) Nurse Call system at Nurse's Station is PC based.	

HEATING, VENTILATING AND AIR CONDITIONING

Inside Design Conditions:	70°F (21°C) to 75°F (24°C) Dry-Bulb Temperature
	30 Percent to 50 Percent Relative Humidity
Minimum Air Changes per Hour:	6
100% Exhaust:	No
100% Outside Air:	No
Room Air Balance:	Neutral (0)
Dedicated Exhaust System:	No
Occupancy:	2
AC Load (Equipment):	As Required
AC Load-(Light):	As Required
Notes:	--

PLUMBING AND MEDICAL GASES

Cold Water:	Yes
Hot Water:	Yes
Laboratory Air:	--
Laboratory Vacuum:	--
Sanitary Drain:	Yes
Reagent Grade Water:	--
Medical Air:	--
Medical Vacuum:	--
Oxygen:	--
Notes:	--

ER: Nurse Station/Communication Center (NSTA1)

Equipment List

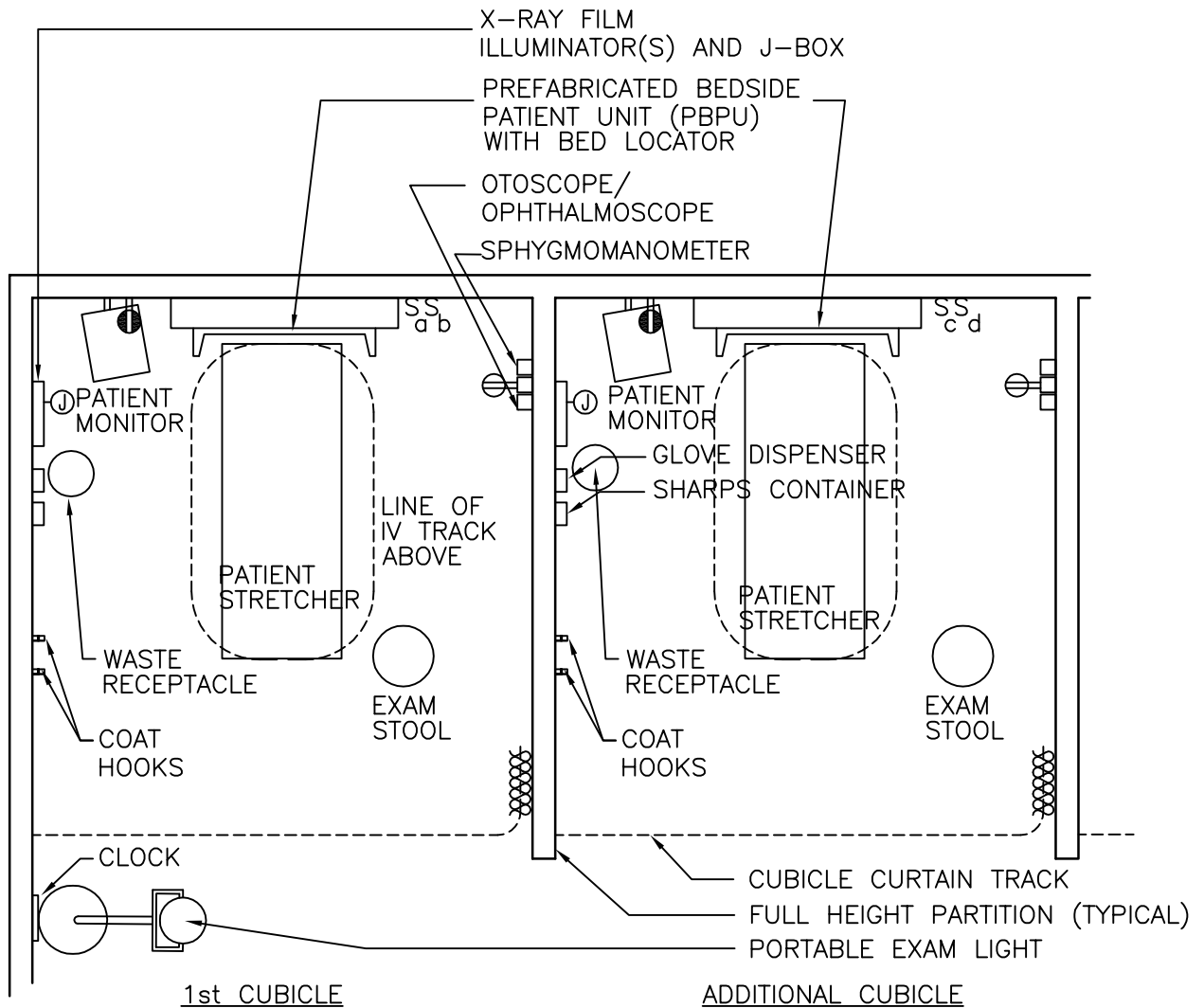
JSN	SYMBOL	QTY	AI	DESCRIPTION
CT030		AR	CC	Counter, plastic laminate top (PG-18-1, MCS 12 36 00)
		AR	CC	Receptacle, electrical, quadruplex, for computer equipment items (PG-18-1, MCS 26 27 26)
		1	CC	Receptacle, electrical, quadruplex, ground fault interrupter (PG-18-1, MCS 26 27 26)
		AR	CC	Receptacle, electrical, duplex, 120 volt (PG-18-1, MCS 26 27 26)
P3100	P-413	1	CC	Lavatory, counter mounted (PG-18-1; MCS 22 40 00)
		1	CC	Alarm button, security/duress (PG-18-1, MCS 27 52 31)
A1010		AR	CC	Outlet, telephone/data (PG-18-1, MCS 27 15 00)
F0210		AR	VV	Chair, rotary, without arms
F3010 or F3025		1	VV	Bulletin board, 60" W x 36" H (1520 mm W x 900 mm H)
F0410		AR	VV	Metal file, under counter
M1801		AR	VV	PC, computer system, with keyboard
M1840		1	VV	Printer, computer system
F3200		1	VV	Clock, atomic, battery operated
A5075		1	VV	Dispenser, soap, liquid, wall mounted
A5106		1	VV	Glove dispenser, wall mounted
A5080		1	VV	Dispenser, paper towel, wall mounted
E0954		1	VV	Crash cart, 28" x 36" x 36" (700 mm x 900 mm x 900 mm)
T0015		1	VV	Defibrillator 12-Volt
F2017		1	VV	Receptacle, waste, step on type



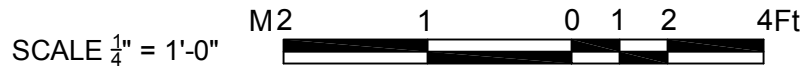
ER: Observation & Treatment Room (TRET4)
 Floor Plan

NOTES:

1. ALL ELEMENTS TYPICAL AS NOTED.
2. QUANTITY OF PATIENT CUBICLES WILL VARY BY PROJECT.
3. ADD 100 NSF/ 9.4 NSM FOR EACH ADDITIONAL CUBICLE.

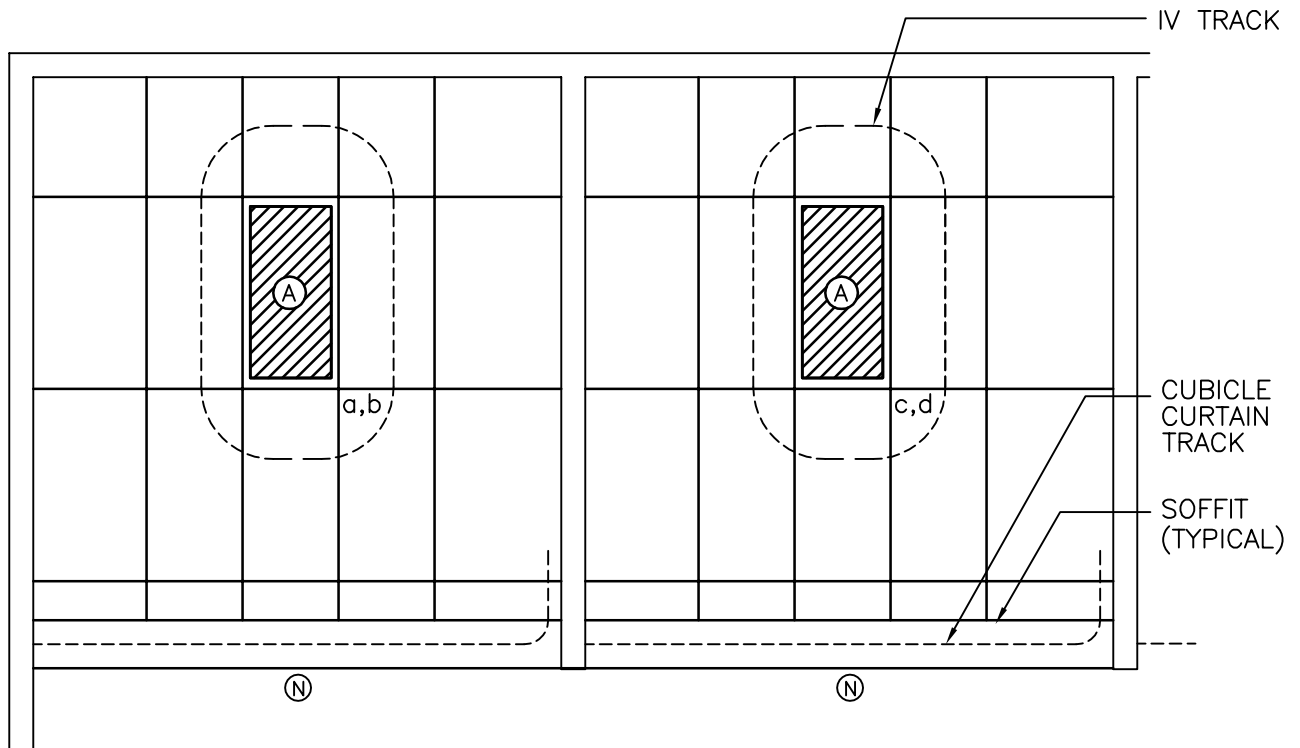


130 NSF/ 12.1 NSM
 (Min for one cubicle)



NOTE: Guide plates are graphical representations of selected room types, illustrating the integration of space, components, systems, and equipment. They provide typical configurations and general technical guidance, and are not intended to be project specific. Specific infrastructure design requirements are contained in VA Design Manuals and Space Planning Criteria located in the VA Technical Information Library.

ER: Observation & Treatment Room (TRET4)
Reflected Ceiling Plan



130 NSF/ 12.1 NSM
(Min for one cubicle)

SCALE $\frac{1}{4}'' = 1'-0''$



NOTE: Guide plates are graphical representations of selected room types, illustrating the integration of space, components, systems, and equipment. They provide typical configurations and general technical guidance, and are not intended to be project specific. Specific infrastructure design requirements are contained in VA Design Manuals and Space Planning Criteria located in the VA Technical Information Library.

ER: Observation and Treatment Room (TRET4)

Design Standards

ARCHITECTURAL

Ceiling: AT (SP)
 Ceiling Height: 9'-0" (2700 mm)
 Wall Finish: PL-SC/GWB-SC
 Wainscot: --
 Base: RSF 6" (150 mm) Integral Cove
 Floor Finish: RSF
 Slab Depression: --
 Notes: 1) Entrance doors to observation and treatment area should be double doors with remote push-plate door operator.

SPECIAL EQUIPMENT

--

LIGHTING

General: --
 Special: --
 Notes: 1) 2' x 4' (600 mm x 1200 mm) recessed fluorescent light fixture, acrylic prismatic lens, w/ F32T8 lamps, 3500°K, CRI=70 (minimum).
 2) The foot-candle level is average maintained.
 3) Provide ballasts per fixture for desired switching configuration. To provide a uniform lighting level, switch inner lamp(s) on first switch and outer lamps on second switch.
 4) Exact quantity, location, and lamping of light fixtures shall be chosen to meet the foot-candle requirement.
 5) Fluorescent nurse call light with 13 W lamp.

POWER

General: As Shown
 Emergency: As Shown
 Notes: 1) Selected receptacles, PBPU's, x-ray illuminator shall be on emergency power.

COMMUNICATION/SPECIAL SYSTEMS

Data: --
 Telephone: --
 Intercom: --
 Nurse Call: Yes
 Public Address: --
 Radio/Entertainment: --
 MATV: --
 CCTV: --
 MID: --
 Security/Duress: --
 VTEL: --
 VA Satellite TV: --
 Notes: 1) Nurse Call

HEATING, VENTILATING AND AIR CONDITIONING

Inside Design Conditions: 70°F (21°C) to 75°F (24°C) Dry-Bulb Temperature
 30 Percent to 50 Percent Relative Humidity
 Minimum Air Changes per Hour: 6
 100% Exhaust: No
 100% Outside Air: No
 Room Air Balance: Neutral (0)
 Dedicated Exhaust System: No
 Occupancy: 2 per Patient Bed
 AC Load-(Equipment): As Required
 AC Load-(Light): As Required
 Notes: 1) Year around conditions.

PLUMBING AND MEDICAL GASES

Cold Water: --
 Hot Water: --
 Laboratory Air: --
 Laboratory Vacuum: --
 Sanitary Drain: --
 Reagent Grade Water: --
 Medical Air: Yes
 Medical Vacuum: Yes
 Oxygen: Yes
 Notes: --

ER: Observation and Treatment Room (TRET4)

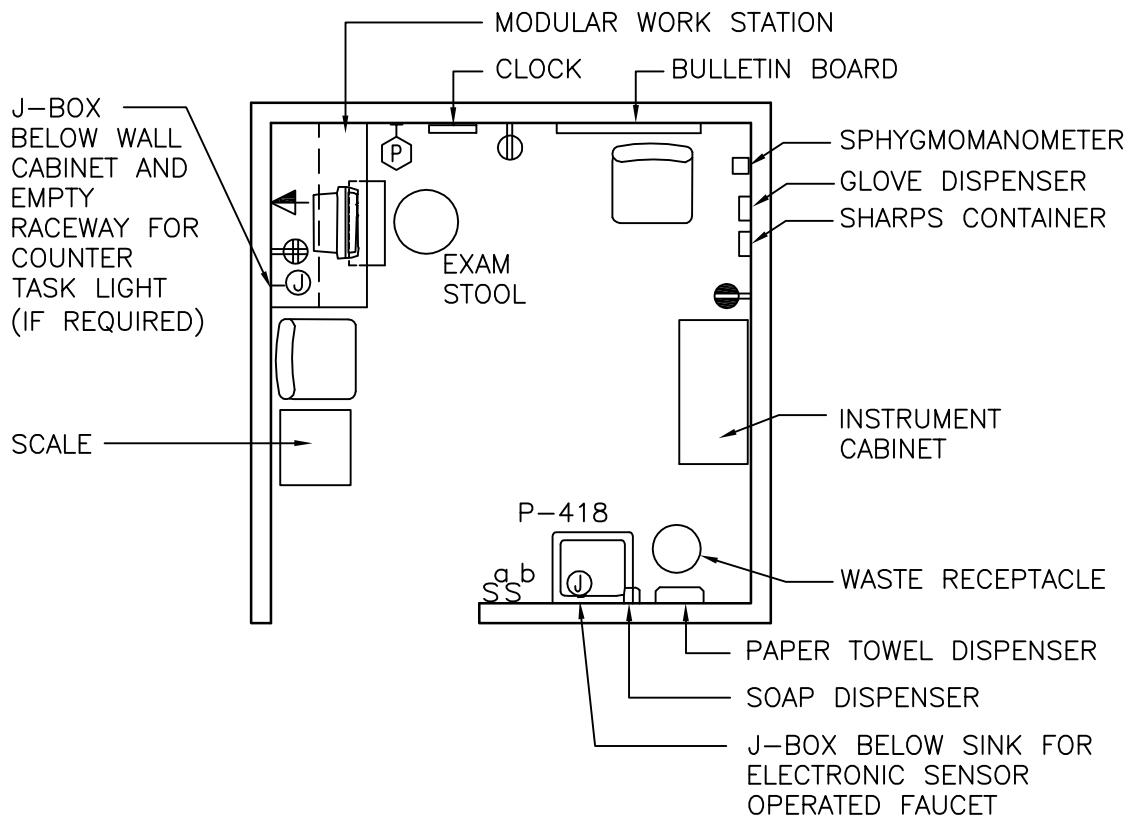
Equipment List

JSN	SYMBOL	QTY	AI	DESCRIPTION
A5180		AR	CC	Track, curtain, cubicle, ceiling type, surface mounted (PG-18-1, MCS 10 21 23)
		AR	CC	Bracket, monitor, wall mounted (PG-18-1, MCS 27 41 31)
A1165		AR	CC	Track, IV, ceiling mounted, continuous loop with IV tree (PG-18-1, MCS 10 21 23)
		2	CC	Prefabricated Bedside Patient Unit; Type A1 (PG-18-1, MCS 10 25 13) (1) Receptacle, electrical, for reading-exam light, location optional (1) Bracket, for stem base reading-exam light (1) Bumper, wraparound, protruding (1) Light, reading-exam, stem base (1) Nurse call, Code 1 (blue), emergency station (1) Outlet, medical air (1) Outlet, oxygen (1) Outlet, medical vacuum
		AR	CC	Receptacle, electrical, duplex (PG-18-1, MCS 26 27 26)
F3200		1	VV	Clock, atomic, battery operated
M7845		2	VV	Monitor, physiological, ECG, HRT, BP, OX
F2017		AR	VV	Receptacle, waste, step-on type, approx. 12" (300 mm) diameter
M4655		2	VV	Stretcher, recovery
A5106		AR	VV	Sharps container, wall mounted
A5106		AR	VV	Glove dispenser, wall mounted
		AR	VV	Hook, coat, wall mounted
X3930		2	VV	Illuminator, x-ray film, 120 volts, wall mounted, individual switch for two, 14" x 17" (350 mm x 425 mm) radiographs, 31" W x 20" H (775 mm W x 500 mm H)
M7401		AR	VV	Light, examining, portable, 120 volts, approx. 18" diameter x 75" H (450 mm diameter x 1875 mm H)
M4200		AR	VV	Ophthalmoscope, wall hung
M4200		AR	VV	Otoscope, wall hung
M4100		AR	VV	Sphygmomanometer, wall hung
		AR	VV	Stool, examining, adjustable
A5180		AR	VV	Curtain, cubicle



ER: Vital Sign Station (EXRG4)

Floor Plan



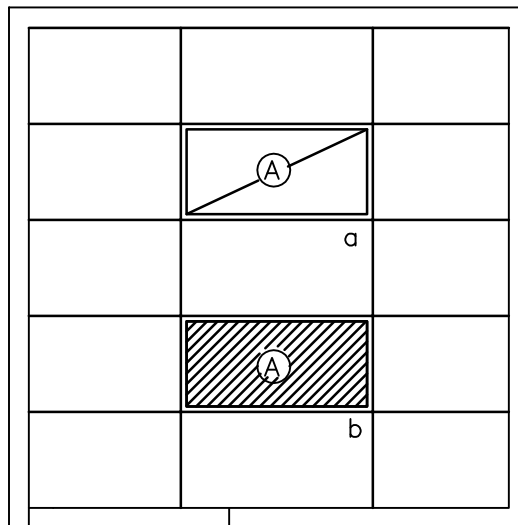
100 NSF/ 9.3 NSM

SCALE $\frac{1}{4}'' = 1'-0''$



NOTE: Guide plates are graphical representations of selected room types, illustrating the integration of space, components, systems, and equipment. They provide typical configurations and general technical guidance, and are not intended to be project specific. Specific infrastructure design requirements are contained in VA Design Manuals and Space Planning Criteria located in the VA Technical Information Library.

ER: Vital Sign Station (EXRG4)
Reflected Ceiling Plan



100 NSF/ 9.3 NSM

SCALE $\frac{1}{4}$ " = 1'-0"



NOTE: Guide plates are graphical representations of selected room types, illustrating the integration of space, components, systems, and equipment. They provide typical configurations and general technical guidance, and are not intended to be project specific. Specific infrastructure design requirements are contained in VA Design Manuals and Space Planning Criteria located in the VA Technical Information Library.

ER: Vital Sign Station (EXRG4)

Design Standards

ARCHITECTURAL

Ceiling:	AT
Ceiling Height:	9'-0" (2700 mm)
Wall Finish:	GWB-P
Wainscot:	--
Base:	RB
Floor Finish:	VCT
Slab Depression:	--
Notes:	--

SPECIAL EQUIPMENT

LIGHTING

General:	--
Special:	--
Notes:	<ol style="list-style-type: none"> 1) Switching per station 2) 2' x 4' (600 mm x 1200 mm) recessed fluorescent light fixture, parabolic louvers, w/ F32T8 lamps 3500° K, CRI=70 (minimum). 3) The foot-candle level is average maintained. 4) Provide ballasts per fixture for desired switching configuration. To provide a uniform lighting level, switch inner lamp(s) on first switch and outer lamps on second switch. 5) Exact quantity, location, and lamping of light fixtures shall be chosen to meet the foot-candle requirement.

POWER

General:	As Shown
Emergency:	As Shown
Notes:	<ol style="list-style-type: none"> 1) Coordinate location and height of work station receptacles with modular furniture.

COMMUNICATION/SPECIAL SYSTEMS

Data:	Yes
Telephone:	Yes
Intercom:	--
Nurse Call:	--
Public Address:	--
Radio/Entertainment:	--
MATV:	--
CCTV:	--
MID:	--
Security/Duress:	--
VTEL:	--
VA Satellite TV:	--
Notes:	<ol style="list-style-type: none"> 1) Coordinate location and height of work station telephone/data outlets with modular furniture.

HEATING, VENTILATING AND AIR CONDITIONING

Inside Design Conditions:	70°F (21°C) to 75°F (24°C) Dry-Bulb Temperature
	30 Percent to 50 Percent Relative Humidity
Minimum Air Changes per Hour:	6 (Supply)
100% Exhaust:	No
100% Outside Air:	No
Room Air Balance:	Neutral (0)
Dedicated Exhaust System:	No
Occupancy:	4
AC Load-(Equipment):	As Required
AC Load-(Light):	As Required
Notes:	<ol style="list-style-type: none"> 1) Year around conditions.

PLUMBING AND MEDICAL GASES

Cold Water:	Yes
Hot Water:	Yes
Laboratory Air:	--
Laboratory Vacuum:	--
Sanitary Drain:	Yes
Reagent Grade Water:	--
Medical Air:	--
Medical Vacuum:	--
Oxygen:	--
Notes:	--

ER: Vital Sign Station (EXRG4)

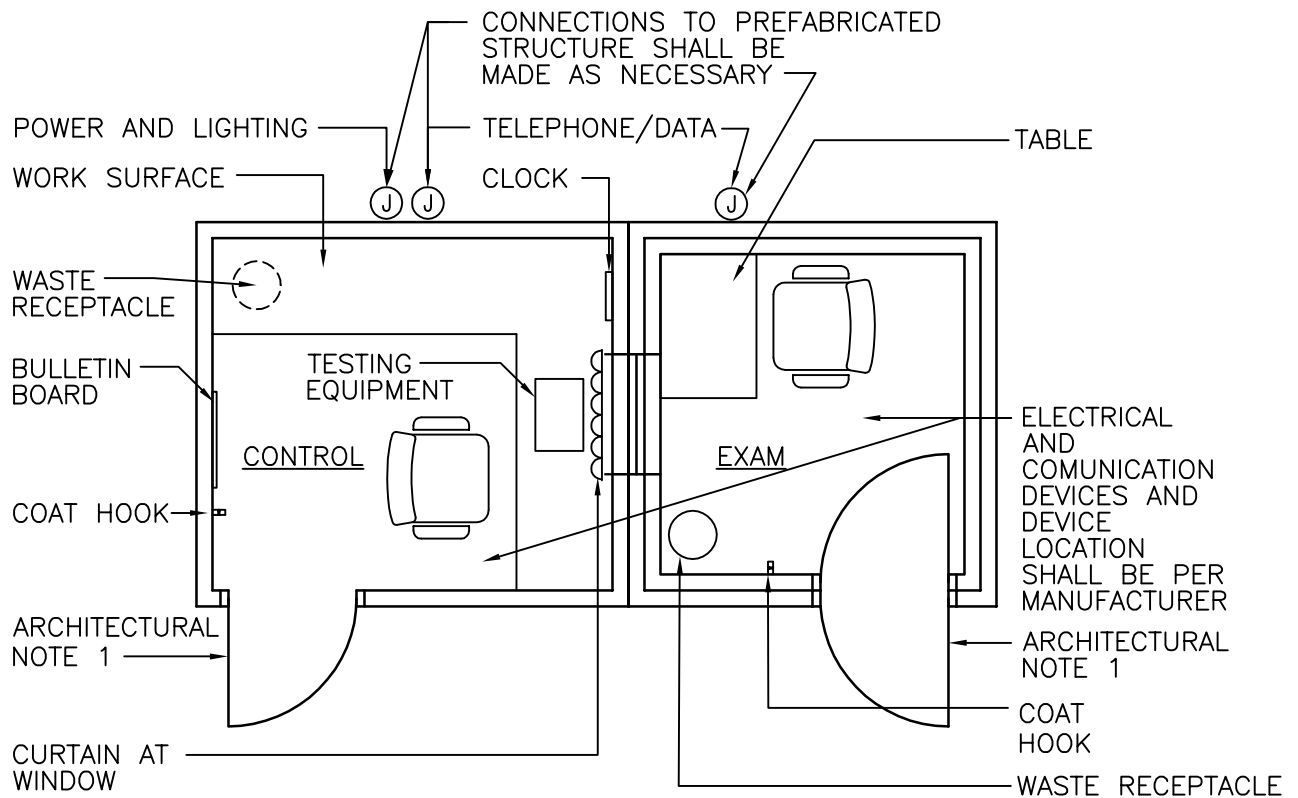
Equipment List

JSN	SYMBOL	QTY	AI	DESCRIPTION
P3100	P-418	1	CC	Lavatory, sensor control (PG-18-1, MCS 22 40 00; PG-18-4, NCS SD 22 40 00)
A1010		AR	CC	Outlet, telephone/data, wall mounted (PG-18-1, MCS 27 15 00)
		1	CC	Receptacle, electrical, quadruplex, for computer equipment items (PG-18-1, MCS 26 27 26)
		AR	CC	Receptacle, electrical, duplex (PG-18-1, MCS 26 27 26)
		1	CC	Alarm button, security/duress (PG-18-1, MCS 27 52 31)
A5075		1	VV	Dispenser, soap, liquid, wall mounted
A5080		1	VV	Dispenser, paper towel, surface mounted
F2017		1	VV	Receptacle, waste, step on type, approx. 12" (300 mm) diameter
F0210		2	VV	Chair, straight, without arms
E0210		1	VV	Modular work station with under counter keyboard tray, overhead storage, and wall hanger strips.
F0340		1	VV	Stool, examining
M3085		1	VV	Cabinet, instrument and treatment, 36" W x 16" D x 78" H (900 mm W x 400 mm D x 1950 mm H)
M1801		1	VV	CRT, computer system, with keyboard pullout
M4100		1	VV	Sphygmomanometer, wall hung
F3010 or F3025		1	VV	Bulletin board, 48" x 36" (1200 mm x 900 mm)
M4030		1	VV	Stand on scale
F3200		1	VV	Clock, atomic, battery operated
A5106		1	VV	Sharps container, wall mounted
A5106		1	VV	Glove dispenser, wall mounted



ETM: Audiometric Booth (PEHS1)

Floor Plan



PREFABRICATED EXAM SUITE

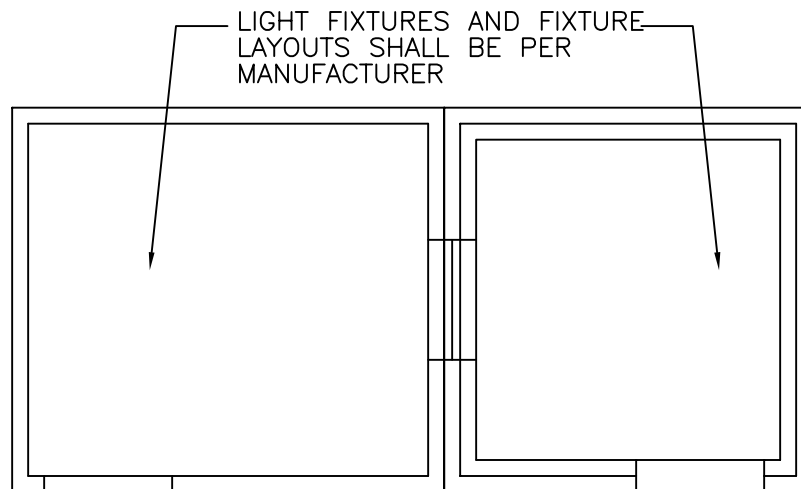
120 NSF/ 11.2 NSM
(Included booth walls)

SCALE 1/4" = 1'-0"



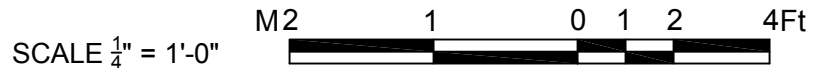
NOTE: Guide plates are graphical representations of selected room types, illustrating the integration of space, components, systems, and equipment. They provide typical configurations and general technical guidance, and are not intended to be project specific. Specific infrastructure design requirements are contained in VA Design Manuals and Space Planning Criteria located in the VA Technical Information Library.

ETM: Audiometric Booth (PEHS1)
Reflected Ceiling Plan



PREFABRICATED EXAM SUITE

120 NSF/ 11.2 NSM
(Included booth walls)



NOTE: Guide plates are graphical representations of selected room types, illustrating the integration of space, components, systems, and equipment. They provide typical configurations and general technical guidance, and are not intended to be project specific. Specific infrastructure design requirements are contained in VA Design Manuals and Space Planning Criteria located in the VA Technical Information Library.

ETM: Audiometric Booth (PEHS1)

Design Standards

ARCHITECTURAL

Ceiling: Finishes shall be as per manufacturer's standard model as selected.

Slab Depression: Approximately 4" (100 mm) coordinate with manufacturer.

Notes: 1) 3'-0" (900 mm) wide door. Doors and hardware furnished with prefabricated audio booth.
 2) Perimeter GWB partition full height. Acoustic blanket over ceiling.
 3) For Audio Suite details see VA Bulletin #1E11-87.

SPECIAL EQUIPMENT

--

LIGHTING

General: As Required

Special: --

Notes: 1) Lighting to be as per manufacturer's standards.

POWER

General: As Shown

Emergency: As Shown

Notes: --

COMMUNICATION/SPECIAL SYSTEMS

Data: --

Telephone: --

Intercom: --

Nurse Call: --

Public Address: --

Radio/Entertainment: --

MATV: --

CCTV: --

MID: --

Security/Duress: --

VTEL: --

VA Satellite TV: --

Notes: --

HEATING, VENTILATING AND AIR CONDITIONING

Inside Design Conditions: 70°F (21°C) to 75°F (24°C) Dry-Bulb Temperature
 30 Percent to 50 Percent Relative Humidity

Minimum Air Changes per Hour: 6

100% Exhaust: No

100% Outside Air: No

Room Air Balance: Neutral (0)

Dedicated Exhaust System: No

Occupancy: 3

AC Load (Equipment): As Required

AC Load-(Light): As Required

Notes: 1) Coordinate HVAC connections with the pre-fabricated acoustic booth for the exam room. Verify if the booth is equipped with any packaged HVAC System.
 2) Year around conditions.

PLUMBING AND MEDICAL GASES

Cold Water: --

Hot Water: --

Laboratory Air: --

Laboratory Vacuum: --

Sanitary Drain: --

Reagent Grade Water: --

Medical Air: --

Medical Vacuum: --

Oxygen: --

Notes: --

ETM: Audiometric Booth (PEHS1)

Equipment List

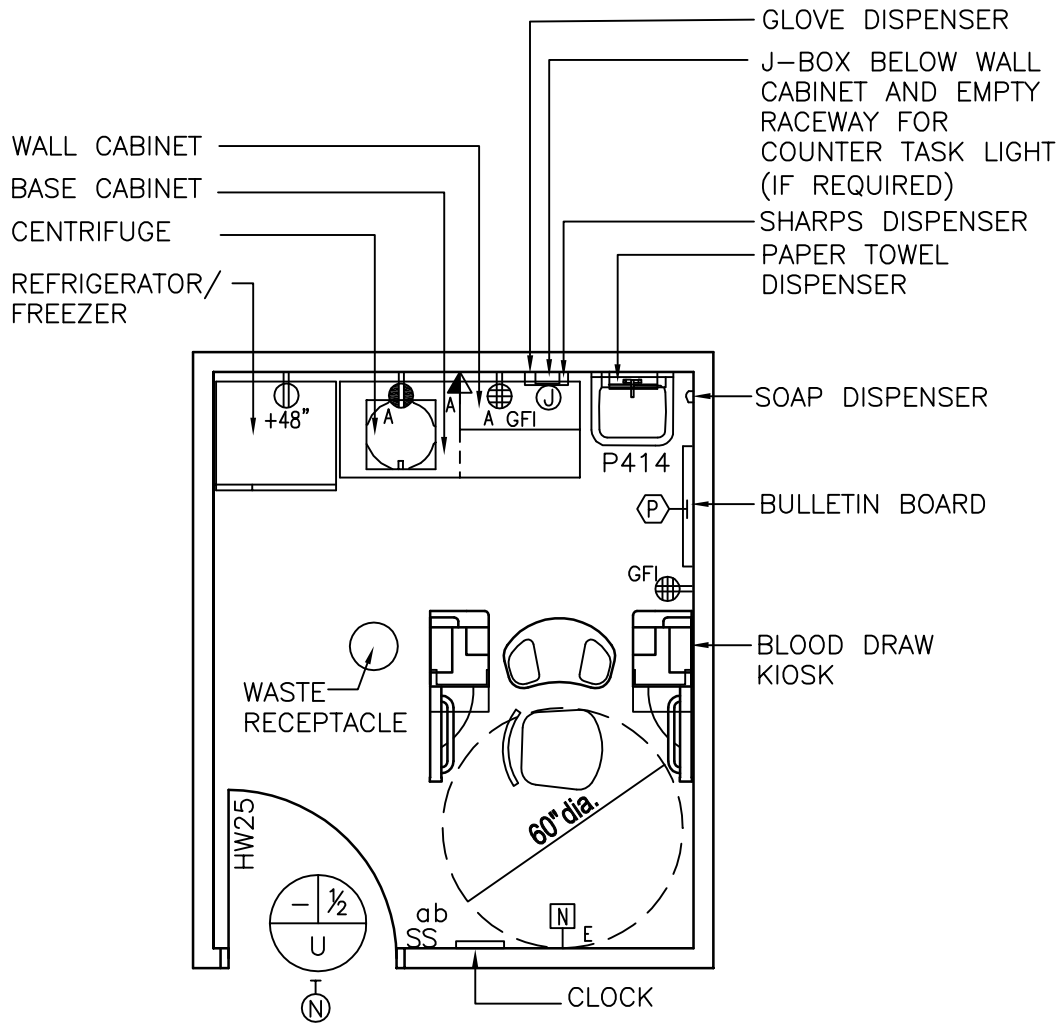
FIXED EQUIPMENT AND UTILITIES				
JSN	SYMBOL	QTY	AI	DESCRIPTION
		1	VV	Prefabricated audiometric booth in accordance with individual project requirements. Size as required.
				Note: Coordinate electrical, telephone/data supplies and connections with equipment vendor.

CONTROL ROOM				
JSN	SYMBOL	QTY	AI	DESCRIPTION
E0042		AR	VV	Modular work surface, 30" D x 30" H (750 mm D x 750 mm H)
F0280		AR	VV	Chair, rotary, with arms, approx. 30" W x 30" D (750 mm W x 750 mm D)
F2017		1	VV	Receptacle, waste, step on type, approx. 18" x 18" (450 mm x 450 mm)
A5185 & A6305		1	VV	A6305 curtain and A5185 rod, wall mounted over window
A5145		1	VV	Hook, coat, wall mounted
F3010 or F3025		1	VV	Bulletin board Note: F3010 is 48" x 48" (1200 mm x 1200 mm), F3025 is Wood Frame.
		1	VV	Testing equipment

EXAMINATION ROOM				
JSN	SYMBOL	QTY	AI	DESCRIPTION
F0860		1	VV	Table, single drawer, 24" W x 36" L (600 mm W x 900 mm L)
F2000		1	VV	Receptacle, waste, step on type approx. 18" x 18" (450 mm x 450 mm)
F0260		AR	VV	Chair, high back, straight, with arms
A5145		1	VV	Hook, coat, wall mounted



ETM: Blood Draw (LBVP1)
 Floor Plan



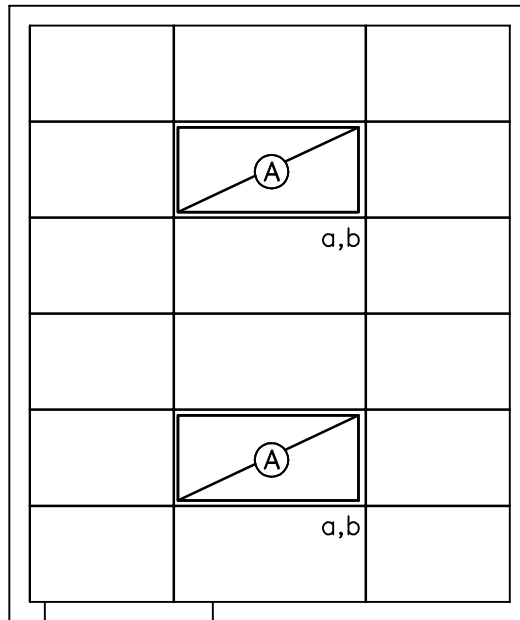
120 NSF/ 11.2 NSM

SCALE 1/4" = 1'-0"



NOTE: Guide plates are graphical representations of selected room types, illustrating the integration of space, components, systems, and equipment. They provide typical configurations and general technical guidance, and are not intended to be project specific. Specific infrastructure design requirements are contained in VA Design Manuals and Space Planning Criteria located in the VA Technical Information Library.

ETM: Blood Draw (LBVP1)
Reflected Ceiling Plan



120 NSF/ 11.2 NSM

SCALE $\frac{1}{4}'' = 1'-0''$



NOTE: Guide plates are graphical representations of selected room types, illustrating the integration of space, components, systems, and equipment. They provide typical configurations and general technical guidance, and are not intended to be project specific. Specific infrastructure design requirements are contained in VA Design Manuals and Space Planning Criteria located in the VA Technical Information Library.

ETM: Blood Draw (LBVP1)

Design Standards

ARCHITECTURAL

Ceiling:	AT
Ceiling Height:	9'-0" (2700 mm)
Wall Finish:	GWB-P
Wainscot:	--
Base:	RB
Floor Finish:	VCT
Slab Depression:	--
Sound Protection:	STC 40
Notes:	--

SPECIAL EQUIPMENT

LIGHTING

General:	--
Special:	--
Notes:	<ol style="list-style-type: none"> 1) 2' x 4' (600 mm x 1200 mm) recessed fluorescent light fixture, acrylic prismatic lens, w/ F32T8 lamps, 3500°K, CRI=70 (minimum). 2) The foot-candle level is average maintained. 3) Provide ballasts per fixture for desired switching configuration. To provide a uniform lighting level, switch inner lamp(s) on first switch and outer lamps on second switch. 4) Exact quantity, location, and lamping of light fixtures shall be chosen to meet the foot-candle requirement. 5) Fluorescent nurse call light lamp.

POWER

General:	As Shown
Emergency:	As Shown
Notes:	--

COMMUNICATION/SPECIAL SYSTEMS

Data:	Yes
Telephone:	Yes
Intercom:	--
Nurse Call:	Yes
Public Address:	--
Radio/Entertainment:	--
MATV:	--
CCTV:	--
MID:	--
Security/Duress:	Yes
VTEL:	--
VA Satellite TV:	--
Notes:	--

HEATING, VENTILATING AND AIR CONDITIONING

Inside Design Conditions:	70°F (21°C) to 75°F (24°C) Dry-Bulb Temperature
	30 Percent to 50 Percent Relative Humidity
Minimum Air Changes per Hour:	6
100% Exhaust:	No
100% Outside Air:	No
Room Air Balance:	Neutral (0)
Dedicated Exhaust System:	No
Occupancy:	2
AC Load-(Equipment):	As Required
AC Load-(Light):	As Required
Notes:	1) Year around conditions.

PLUMBING AND MEDICAL GASES

Cold Water:	Yes
Hot Water:	Yes
Laboratory Air:	--
Laboratory Vacuum:	--
Sanitary Drain:	Yes
Reagent grade Water:	--
Medical Air:	--
Medical Vacuum:	--
Oxygen:	--
Notes:	--

ETM: Blood Draw (LBVP1)

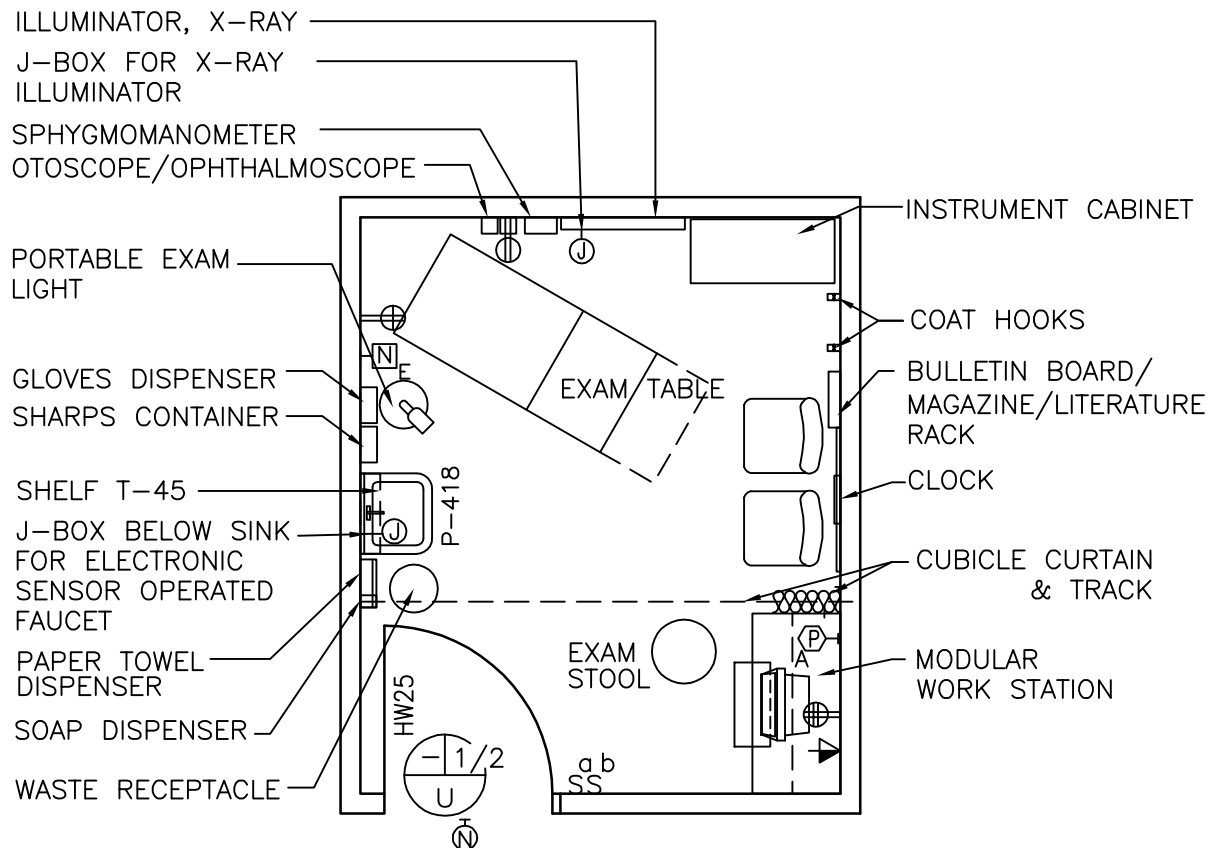
Equipment List

JSN	SYMBOL	QTY	AI	DESCRIPTION
CT030	Top 10A	1	CC	Counter top, high pressure plastic laminate, decorative, over plywood or particle board core, 1-1/4" (25 mm) thick (PG-18-1, MCS 12 36 00)
C03F0	VL4	1	CC	Cabinet, under counter, with 2 drawers, 2 hinged doors and 1 adjustable shelf, 30" x 22" x 31" (750 mm x 550 mm x 775 mm) for floor mounted add, 5" (125 mm) toe base (PG-18-1, MCS 12 31 00, 12 32 00)
	VL5	1	CC	Cabinet, under counter, with 4 drawers, 1 hinged door and 2 adjustable shelves, 30" x 22" x 31" (750 mm x 550 mm x 775 mm) for floor mounted add, 5" (125 mm) toe base (PG-18-1, MCS 12 31 00, 12 32 00)
CE040	VL25	1	CC	Cabinet, wall, with sloping top, 2 glazed sliding doors and 2 adjustable shelves, 30" x 13" x 30" (750 mm x 325 mm x 750 mm) (PG-18-1, MCS 12 31 00, 12 32 00)
P3100	P-414	1	CC	Lavatory, straight back (PG-18-1, MCS 22 40 00)
A1010		1	CC	Outlet, telephone/data, wall mounted (PG-18-1, MCS 27 15 00)
		AR	CC	Receptacle, electrical, quadruplex, ground fault interrupter (PG-18-1, MCS 26 27 26)
		AR	CC	Receptacle, electrical, duplex (PG-18-1, MCS 26 27 26)
		1	CC	Nurse call, emergency station with corridor signal light (PG-18-1, MCS 27 52 23)
		1	CC	Alarm button, security/duress (PG-18-1, MCS 27 52 31)
A5075		1	VV	Dispenser, soap, liquid, wall mounted
A5080		1	VV	Dispenser, paper towel, surface mounted
F2017		1	VV	Receptacle, waste, step on type, approx. 12" (300 mm) diameter
M1410		1	VV	Kiosk, blood draw or chair, laboratory, blood drawing with storage
F3010 or F3025		1	VV	Bulletin board, 30" x 42" (750 mm x 1050 mm) Note: F3010 is 48" x 48" (1200 mm x 1200 mm) and F3025 is wood frame.
R7250		1	VV	Refrigerator/freezer, 120 volt, domestic, approx. 31" x 28" x 66" (775 mm x 700 mm x 1650 mm)
L1350		1	VV	Centrifuge, non-refrigerated, bench model, 120 volt, approx. 19" H x 16" W x 19" D (480 mm H x 400 mm W x 480 mm D)
F3200		1	VV	Clock, atomic, battery operated
A5106		1	VV	Sharps container/glove dispenser



ETM: Exam Room (Multi-Purpose) (EXRG3)

Floor Plan



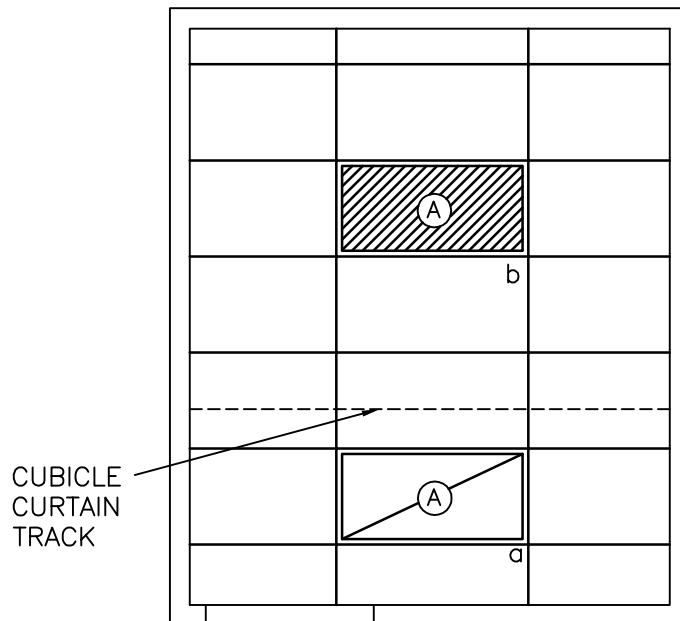
120 NSF/ 11.2 NSM

SCALE 1/4" = 1'-0"



NOTE: Guide plates are graphical representations of selected room types, illustrating the integration of space, components, systems, and equipment. They provide typical configurations and general technical guidance, and are not intended to be project specific. Specific infrastructure design requirements are contained in VA Design Manuals and Space Planning Criteria located in the VA Technical Information Library.

ETM: Exam Room (Multi-Purpose) (EXRG3)
Reflected Ceiling Plan



120 NSF/ 11.2 NSM

SCALE $\frac{1}{4}" = 1'-0"$



NOTE: Guide plates are graphical representations of selected room types, illustrating the integration of space, components, systems, and equipment. They provide typical configurations and general technical guidance, and are not intended to be project specific. Specific infrastructure design requirements are contained in VA Design Manuals and Space Planning Criteria located in the VA Technical Information Library.

ETM: Exam Room (Multi-Purpose) (EXRG3)

Design Standards

ARCHITECTURAL

Ceiling:	GWB Lay-in Panels
Ceiling Height:	9'-0" (2700 mm)
Wall Finish:	GWB-P
Wainscot:	--
Base:	RB
Floor Finish:	VCT
Slab Depression:	--
Sound Protection:	STC 40
Notes:	--

SPECIAL EQUIPMENT

LIGHTING

General:	--
Special:	--
Notes:	<ol style="list-style-type: none"> 1) 2' x 4' (600 mm x 1200 mm) recessed fluorescent light fixture, acrylic prismatic lens, w/ F32T8 lamps, 3500°K, CRI=70 (minimum). 2) Portable Examining Light. 3) The foot-candle level is average maintained. 4) Provide ballasts per fixture for desired switching configuration. To provide a uniform lighting level, switch inner lamp(s) on first switch and outer lamps on second switch. 5) Exact quantity, location, and lamping of light fixtures shall be chosen to meet the foot-candle requirement. 6) Fluorescent nurse call light.

POWER

General:	As Shown
Emergency:	As Shown
Notes:	<ol style="list-style-type: none"> 1) Coordinate location and height of work station receptacles with modular furniture. 2) Exam table may be wall outlet connected.

COMMUNICATION/SPECIAL SYSTEMS

Data:	Yes
Telephone:	Yes
Intercom:	--
Nurse Call:	Yes
Public Address:	--
Radio/Entertainment:	--
MATV:	--
CCTV:	--
MID:	--
Security/Duress:	Yes
VTEL:	--
VA Satellite TV:	--
Notes:	1) Coordinate location and height of work station telephone/data outlets with modular furniture.

HEATING, VENTILATING AND AIR CONDITIONING

Inside Design Conditions:	70°F (21°C) to 75°F (24°C) Dry-Bulb Temperature
	30 Percent to 50 Percent Relative Humidity
Minimum Air Changes per Hour:	6
100% Exhaust:	No
100% Outside Air:	No
Room Air Balance:	Neutral (0)
Dedicated Exhaust System:	No
Occupancy:	2
AC Load-(Equipment):	As Required
AC Load-(Light):	As Required
Notes:	1) Year around conditions.

PLUMBING AND MEDICAL GASES

Cold Water:	Yes
Hot Water:	Yes
Laboratory Air:	--
Laboratory Vacuum:	--
Sanitary Drain:	Yes
Reagent Grade Water:	--
Medical Air:	--
Medical Vacuum:	--
Oxygen:	--
Notes:	--

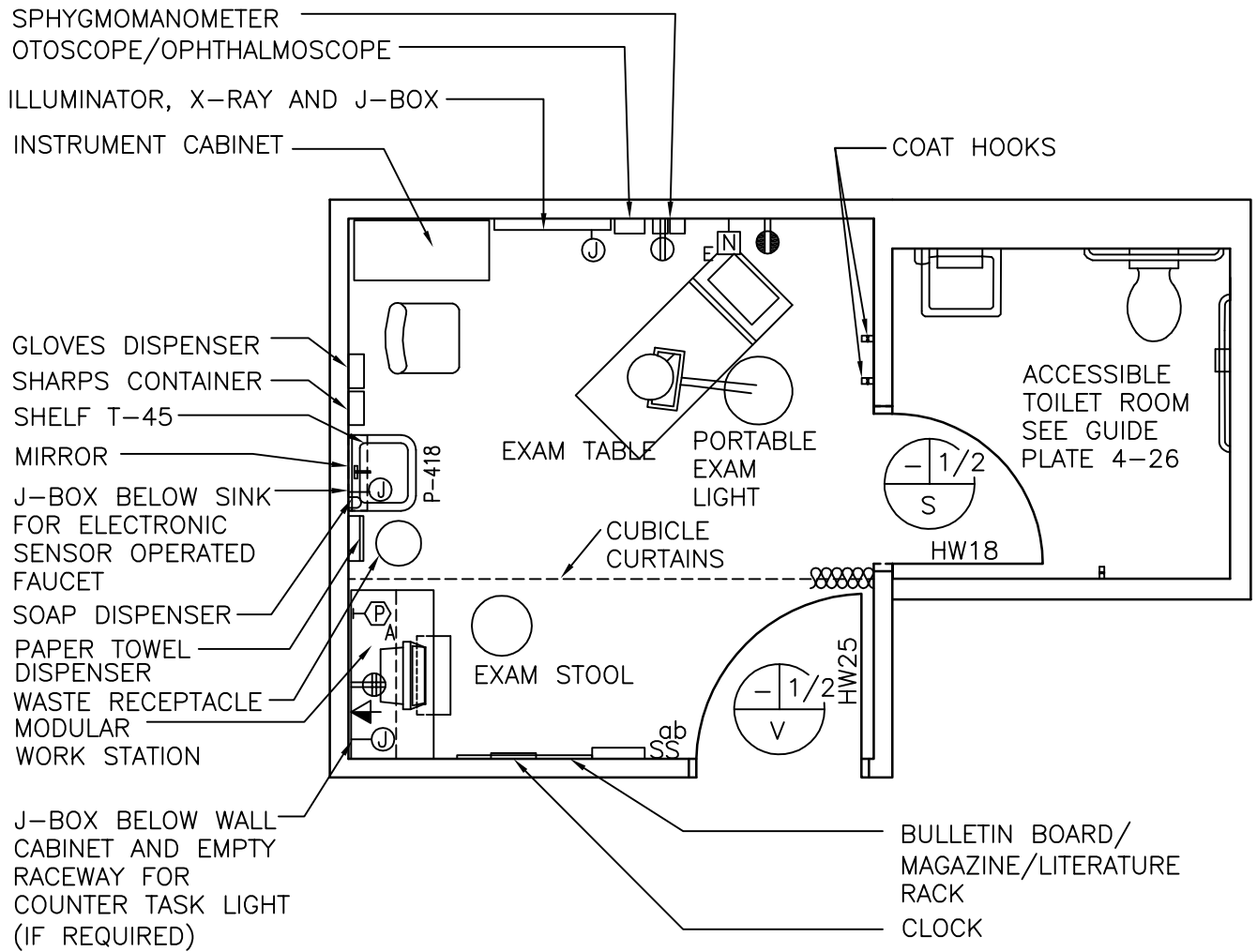
ETM: Exam Room (Multi-Purpose) (EXRG3)

Equipment List

JSN	SYMBOL	QTY	AI	DESCRIPTION
P3100	P-418	1	CC	Lavatory, sensor control (PG-18-1, MCS 22 40 00; PG-18-4, NCS SD 22 40 00)
A5165	T45	1	CC	Shelf, corrosion resisting steel, 12" W x 5" D (300 mm W x 125 mm D) (PG-18-1, MCS 10 28 00; PG-18-4, NCS SD 10 28 00-4)
A5180		1	CC	Track, curtain, cubicle, ceiling type, surface mounted (PG-18-1, MCS 10 21 23)
A1010		1	CC	Outlet, telephone/data, wall mounted (PG-18-1, MCS 27 15 00)
		1	CC	Receptacle, electrical, quadruplex, for computer equipment items (PG-18-1, MCS 26 27 26)
		AR	CC	Receptacle, electrical, duplex (PG-18-1, MCS 26 27 26)
		1	CC	Receptacle, electrical, duplex, ground fault interrupter (PG-18-1, MCS 26 27 26)
		1	CC	Nurse call, emergency station, with pull cord and corridor signal light (PG-18-1, MCS 27 52 23)
		1	CC	Alarm button, security/duress (PG-18-1, MCS 27 52 31)
A5075		1	VV	Dispenser, soap, liquid, wall mounted
A5080		1	VV	Dispenser, paper towel, surface mounted
F2017		1	VV	Receptacle, waste, step on type, approx. 12" (300 mm) diameter
A5145		2	VV	Hook, coat, wall mounted
A5180		1	VV	Curtain, cubicle
M9050		1	VV	Table, examining, padded, adjustable top, approx. 74" x 21" x 30" (1850 mm x 525 mm x 750 mm)
F0210		AR	VV	Chair, straight, without arms
E0210		1	VV	Modular work station with under counter keyboard tray, overhead storage, and wall hanger strips.
F0340		1	VV	Stool, examining
M3085		1	VV	Cabinet, instrument and treatment, 36" W x 16" D x 78" H (900 mm W x 400 mm D x 1950 mm H)
X3930		AR	VV	Illuminator, x-ray film, 120 volts, wall mounted, individual switch for two, 14" x 17" (350 mm x 425 mm) radiographs, 31" W x 20" H (775 mm W x 500 mm H)
M7401		1	VV	Light, examining, portable, 120 volt, approx. 18" diameter x 75" H (450 mm diameter x 1875 mm H)
M1801		1	VV	CRT, computer system, with keyboard
M4100		1	VV	Sphygmomanometer, wall hung
M4200		1	VV	Otoscope, wall hung
M4200		1	VV	Ophthalmoscope, wall hung
F3010 or F3025		1	VV	Bulletin board, 48" x 36" (1200 mm x 900 mm)
F2300		1	VV	Magazine/literature rack, wall mounted
F3200		1	VV	Clock, atomic, battery operated
A5106		1	VV	Sharps container, wall mounted
A5106		1	VV	Glove dispenser, wall mounted



ETM: Exam Room, Isolation (EXRG6)
 Floor Plan



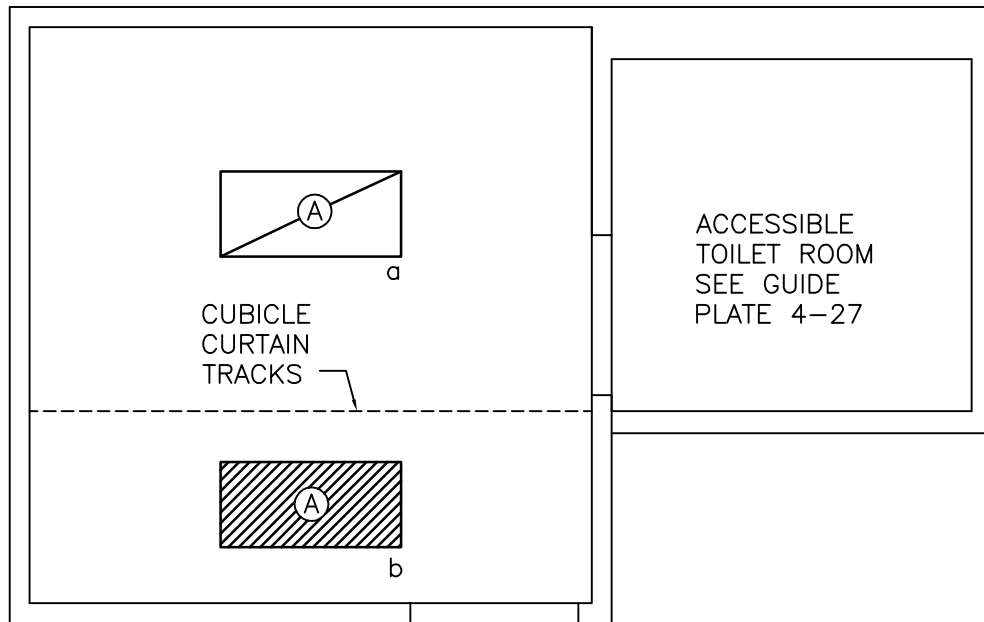
140 NSF/ 13.0 NSM
 Plus toilet at 55 NSF

SCALE 1/4" = 1'-0"



NOTE: Guide plates are graphical representations of selected room types, illustrating the integration of space, components, systems, and equipment. They provide typical configurations and general technical guidance, and are not intended to be project specific. Specific infrastructure design requirements are contained in VA Design Manuals and Space Planning Criteria located in the VA Technical Information Library.

ETM: Exam Room, Isolation (EXRG6)
Reflected Ceiling Plan



140 NSF/ 13.0 NSM
Plus toilet at 55 NSF

SCALE $\frac{1}{4}'' = 1'-0''$



NOTE: Guide plates are graphical representations of selected room types, illustrating the integration of space, components, systems, and equipment. They provide typical configurations and general technical guidance, and are not intended to be project specific. Specific infrastructure design requirements are contained in VA Design Manuals and Space Planning Criteria located in the VA Technical Information Library.

ETM: Exam Room, Isolation (EXRG6)

Design Standards

ARCHITECTURAL

Ceiling:	GWB-P
Ceiling Height:	9'-0" (2700 mm)
Wall Finish:	GWB-P
Wainscot:	CT in Toilet Room
Base:	RB; CT in Toilet Room
Floor Finish:	VCT; CT in Toilet Room
Slab Depression:	--
Sound Protection:	STC 40
Notes:	--

SPECIAL EQUIPMENT

	--
--	----

LIGHTING

General:	--
Special:	--
Notes:	<ol style="list-style-type: none"> 1) 2' x 4' (600 mm x 1200 mm) recessed fluorescent fixture with acrylic prismatic lens. 2) Lamps in exam room shall have a color temperature of 3500°K and color rendering index (CRI) not less than 70. 3) All fluorescent lamps shall be rapid start F32T8. 4) The foot-candle level is average maintained. 5) Provide ballasts per fixture for desired switching configuration. To provide a uniform lighting level, switch inner lamp(s) on first switch and outer lamps on second switch. 6) Exact quantity, location, and lamping of light fixtures shall be chosen to meet the foot-candle requirement.

POWER

General:	As Shown
Emergency:	As Shown
Notes:	<ol style="list-style-type: none"> 1) Junction box x-ray illuminator. Connect per equipment manufacturer. 2) Recessed floor mounted junction box for exam and treatment table. Connection to equipment per manufacturer. Provide dedicated circuit. Verify wattage, voltage, and phase. 3) Portable exam light. 4) Coordinate location and height of work station receptacles with modular furniture. 5) Exam table may be wall outlet connected.

COMMUNICATION/SPECIAL SYSTEMS

Data:	Yes
Telephone:	Yes
Intercom:	--
Nurse Call:	Yes
Public Address:	--
Radio/Entertainment:	--
MATV:	--
CCTV:	--
MID:	--
Security/Duress:	Yes
VTEL:	--
VA Satellite TV:	--
Notes:	1) Coordinate location and height of work station telephone/data outlets with modular furniture.

HEATING, VENTILATING AND AIR CONDITIONING

Inside Design Conditions:	70°F (21°C) to 75°F (24°C) Dry-Bulb Temperature
	30 Percent to 50 Percent Relative Humidity
Minimum Air Changes per Hour:	12
100% Exhaust:	Yes
100% Outside Air:	No
Room Air Balance:	Negative (-) Double Negative (--) Toilet
Dedicated Exhaust System:	No
Occupancy:	2
AC Load-(Equipment):	As Required
AC Load-(Light):	As Required
Notes:	1) Year around conditions.

PLUMBING AND MEDICAL GASES

Cold Water:	Yes
Hot Water:	Yes
Laboratory Air:	--
Laboratory Vacuum:	--
Sanitary Drain:	Yes
Reagent Grade Water:	--
Medical Air:	--
Medical Vacuum:	--
Oxygen:	--
Notes:	--

ETM: Exam Room, Isolation (EXRG6)

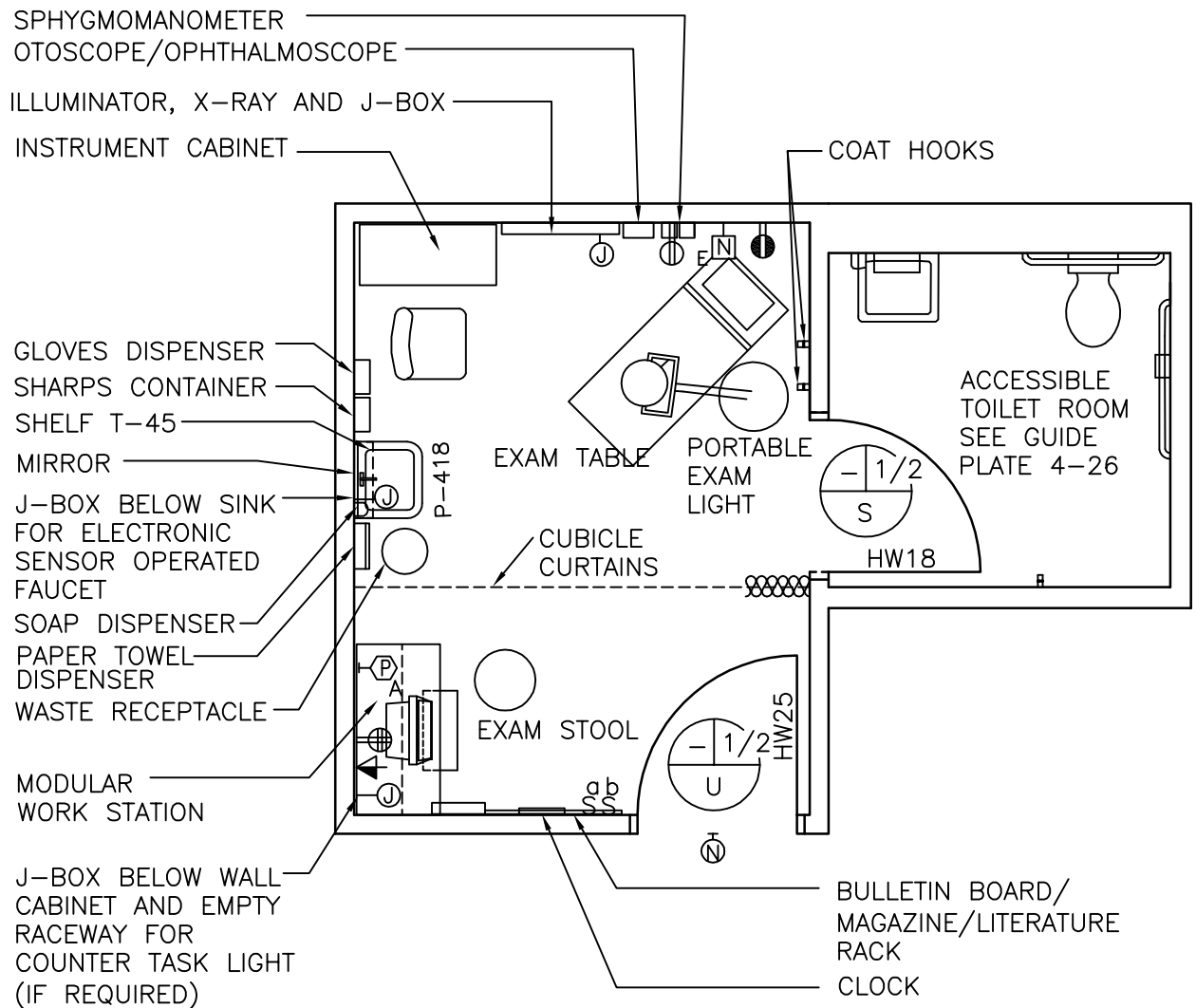
Equipment List

JSN	SYMBOL	QTY	AI	DESCRIPTION
P3100	P-418	1	CC	Lavatory, sensor control (PG-18-1, MCS 22 40 00; PG-18-4, NCS SD 22 40 00)
A5165	T45	1	CC	Shelf, corrosion resisting steel, 12" W x 5" D (300 mm W x 125 mm D) (PG-18-1, MCS 10 28 00; PG-18-4, NCS SD 10 28 00-4)
A5180		1	CC	Track, curtain, cubicle, ceiling type, surface mounted (PG-18-1, MCS 10 21 23)
A1010		1	CC	Outlet, telephone/data, wall mounted (PG-18-1, MCS 27 15 00)
		1	CC	Receptacle, electrical, quadruplex, for computer equipment items (PG-18-1, MCS 26 27 26)
		AR	CC	Receptacle, electrical, duplex (PG-18-1, MCS 26 27 26)
		1	CC	Alarm button, security/duress (PG-18-1, MCS 27 52 31)
A1066		1	CC	Mirror, 24" x 36" (600 mm x 900 mm) (PG-18-1, MCS 10 28 00; PG-18-4, NCS SD 10 28 00-4)
		1	CC	Nurse call, emergency station, with pull cord and corridor signal light (PG-18-1, MCS 27 52 23)
M3085		1	VV	Cabinet, instrument and treatment, 36" W x 16" D x 78" H (900 mm W x 400 mm D x 1950 mm H)
F0210		1	VV	Chair, straight, without arms
F3200		1	VV	Clock, atomic, battery operated
M1801		1	VV	Desktop PC with keyboard
E0210		1	VV	Modular work station with under counter keyboard tray, overhead storage, and wall hanger strips.
A5080		1	VV	Dispenser, paper towel, surface mounted
A5075		1	VV	Dispenser, soap, liquid, wall mounted
A5145		2	VV	Hook, coat, wall mounted
X3930		AR	VV	Illuminator, x-ray film, 120 volts, wall mounted, individual switch for two, 14" x 17" (350 mm x 425 mm) radiographs, 31" W x 20" H (775 mm W x 500 mm H)
M7401		AR	VV	Light, examining, portable, 120 volts, approx. 18" diameter x 75" H (450 mm diameter x 1875 mm H)
M4200		1	VV	Otoscope/ophthalmoscope, wall hung
F2017		1	VV	Receptacle, waste, step on type, approx. 12" (300 mm) diameter
M4100		1	VV	Sphygmomanometer, wall hung
F3010 or F3025		1	VV	Bulletin board, 30" x 42" (750 mm x 1050 mm)
F0340		1	VV	Stool, examining, adjustable
F2300		1	VV	Magazine/literature rack, wall mounted
M9066		1	VV	Table, examining and treatment, motorized
A5180		1	VV	Curtain, cubicle
A5106		1	VV	Sharps container
A5106		1	VV	Glove dispenser



ETM: GYN Exam Room (EXRG8)

Floor Plan



130 NSF/ 12.1 NSM

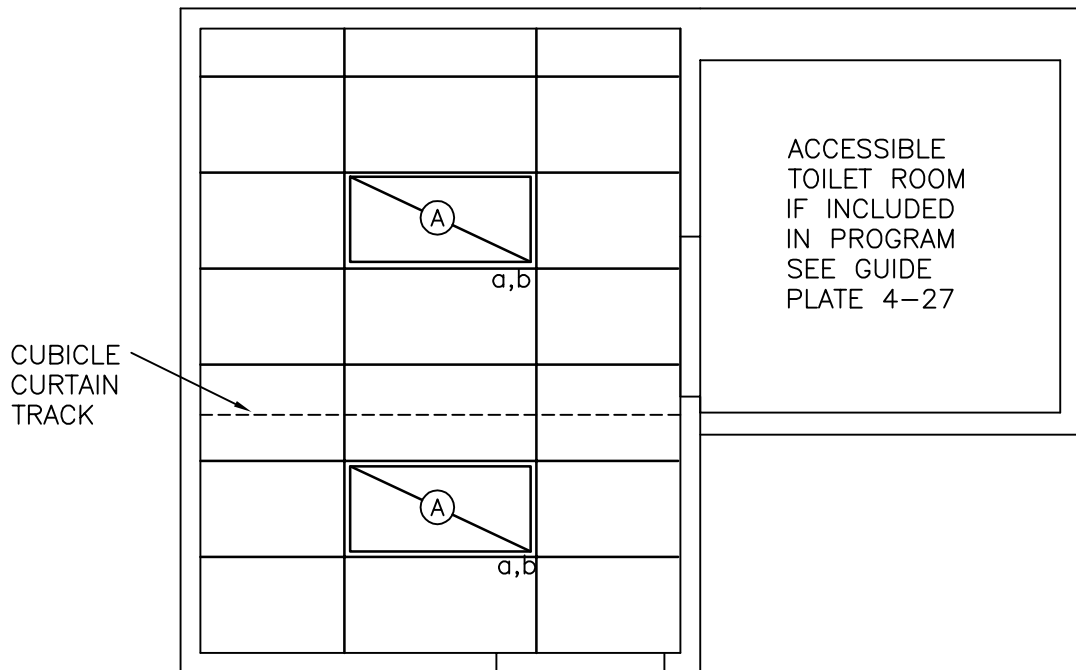
Plus toilet at 55 NSF

SCALE 1/4" = 1'-0"



NOTE: Guide plates are graphical representations of selected room types, illustrating the integration of space, components, systems, and equipment. They provide typical configurations and general technical guidance, and are not intended to be project specific. Specific infrastructure design requirements are contained in VA Design Manuals and Space Planning Criteria located in the VA Technical Information Library.

ETM: GYN Exam Room (EXRG8)
Reflected Ceiling Plan



130 NSF/ 12.1 NSM
Plus toilet at 55 NSF

SCALE $\frac{1}{4}'' = 1'-0''$



NOTE: Guide plates are graphical representations of selected room types, illustrating the integration of space, components, systems, and equipment. They provide typical configurations and general technical guidance, and are not intended to be project specific. Specific infrastructure design requirements are contained in VA Design Manuals and Space Planning Criteria located in the VA Technical Information Library.

ETM: GYN Exam Room (EXRG8)

Design Standards

ARCHITECTURAL

Ceiling:	GWB Lay-in Panels
Ceiling Height:	9'-0" (2700 mm)
Wall Finish:	GWB-P
Wainscot:	48" (1200 mm); CT in Toilet Room
Base:	RB
	CT in Toilet Room
Floor Finish:	VCT
	CT in Toilet Room
Slab Depression:	--
Sound Protection:	STC 40
Notes:	--

SPECIAL EQUIPMENT

	--
--	----

LIGHTING

General:	--
Special:	--
Notes:	<ol style="list-style-type: none"> 1) 2' x 4' (600 mm x 1200 mm) recessed fluorescent fixture with acrylic prismatic lens. Lamps shall be F32WT8 with 3500°K and 70 minimum CRI. 2) The foot-candle level is average maintained. 3) Provide ballasts per fixture for desired switching configuration. To provide a uniform lighting level, switch inner lamp(s) on first switch and outer lamps on second switch. 4) Exact quantity, location, and lamping of light fixtures shall be chosen to meet the foot-candle requirement. 5) Fluorescent nurse call light.

POWER

General:	As Shown
Emergency:	As Shown
Notes:	<ol style="list-style-type: none"> 1) Junction box x-ray illuminator. Connect per equipment manufacturer. 2) Recessed floor mounted junction box for exam and treatment table. Connection to equipment per manufacturer. Provide dedicated circuit. Verify wattage, voltage, and phase. 3) Portable exam light. 4) Coordinate location and height of work station receptacles with modular furniture. 5) Exam table may be wall outlet connected.

COMMUNICATION/SPECIAL SYSTEMS

Data:	Yes
Telephone:	Yes
Intercom:	--
Nurse Call:	Yes
Public Address:	--
Radio/Entertainment:	--
MATV:	--
CCTV:	--
MID:	--
Security/Duress:	Yes
VTEL:	--
VA Satellite TV:	--
Notes:	1) Coordinate location and height of work station telephone/data outlets with modular furniture.

HEATING, VENTILATING AND AIR CONDITIONING

Inside Design Conditions:	70°F (21°C) to 75°F (24°C) Dry-Bulb Temperature
	30 Percent to 50 Percent Relative Humidity
Minimum Air Changes per Hour:	6 Examination Room
	10 Toilet Exhaust
100% Exhaust:	Yes (Toilet Only)
100% Outside Air:	No
Room Air Balance:	Neutral (0) - Examination Room
	Negative (-) Toilet Room
Dedicated Exhaust System:	No
Occupancy:	3
AC Load-(Equipment):	As Required
AC Load-(Light):	As Required
Notes:	1) Year around conditions.

PLUMBING AND MEDICAL GASES

Cold Water:	Yes
Hot Water:	Yes
Laboratory Air:	--
Laboratory Vacuum:	--
Sanitary Drain:	Yes
Reagent Grade Water:	--
Medical Air:	--
Medical Vacuum:	--
Oxygen:	--
Notes:	--

ETM: GYN Exam Room (EXRG8)

Equipment List

FIXED EQUIPMENT AND UTILITIES				
JSN	SYMBOL	QTY	AI	DESCRIPTION
P3100	P-418	1	CC	Lavatory, sensor control (PG-18-1, MCS 22 40 00; PG-18-4, NCS SD 22 40 00)
A5165	T45	1	CC	Shelf, corrosion resisting steel, 12" W x 5" D (300 mm W x 125 mm D) (PG-18-1, MCS 10 28 00; PG-18-4, NCS SD 10 28 00-4)
A5180		AR	CC	Track, curtain, cubicle, ceiling type, surface mounted (PG-18-1, MCS 10 21 23)
A1010		1	CC	Outlet, telephone/data, wall mounted (PG-18-1, MCS 27 15 00)
		1	CC	Receptacle, electrical, quadruplex, for computer equipment items (PG-18-1, MCS 26 27 26)
		AR	CC	Receptacle, electrical, duplex (PG-18-1, MCS 26 27 26)
		1	CC	Alarm button, security/duress (PG-18-1, MCS 27 52 31)
		1	CC	Nurse call, emergency station, with pull cord and corridor signal light (PG-18-1, MCS 27 52 23)

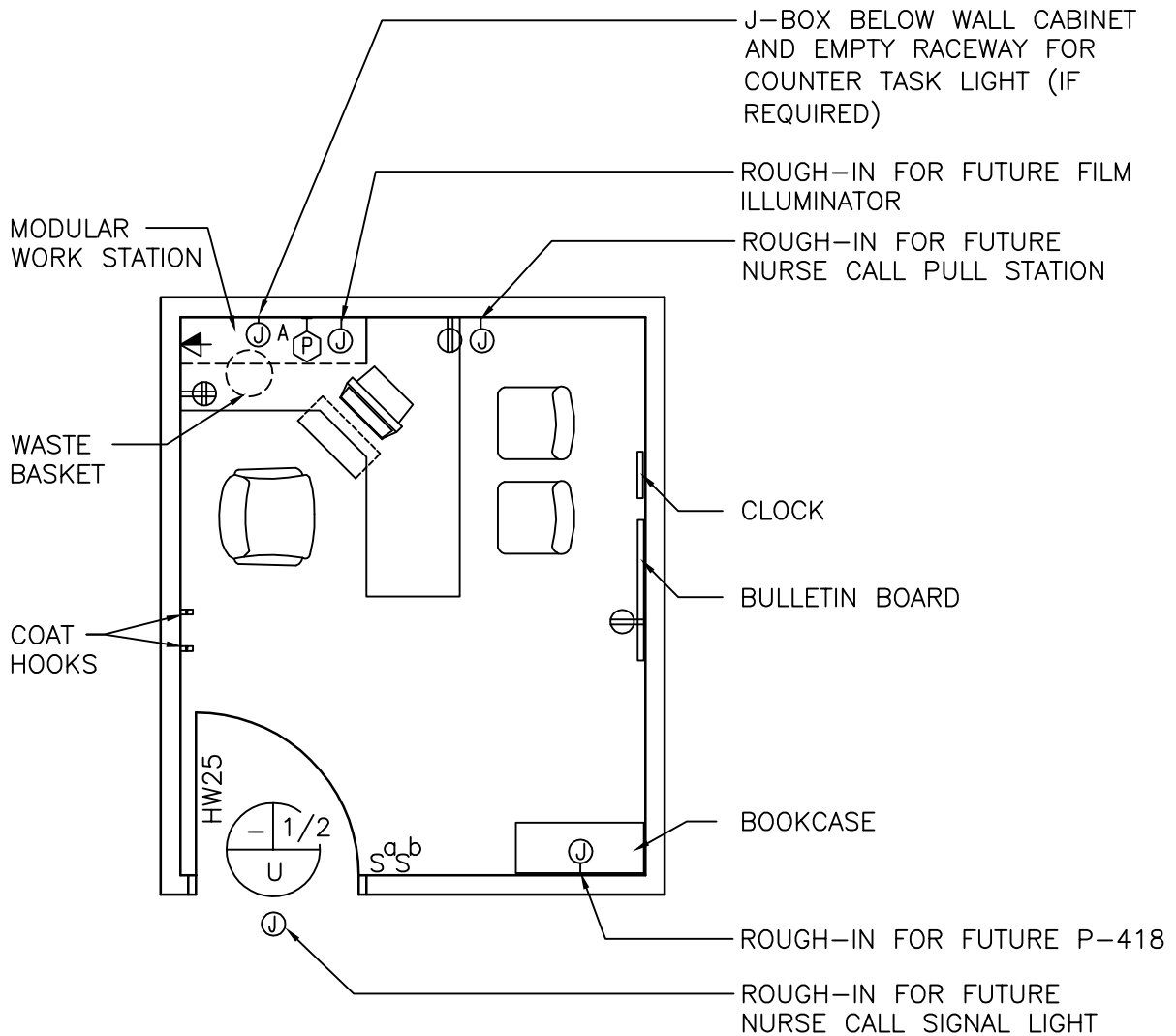
FURNISHINGS AND MOVABLE EQUIPMENT				
JSN	SYMBOL	QTY	AI	DESCRIPTION
X3930		AR	CC	Illuminator, x-ray film, 120 volts, wall mounted, individual switch for two, 14" x 17" (350 mm x 425 mm) radiographs, 31" W x 20" H (775 mm W x 500 mm H) (PG-18-1, MCS 26 51 00)
A1066		1	CC	Mirror, 24" x 36" (600 mm x 900 mm) (PG-18-1, MCS 10 28 00; PG-18-4, NCS SD 10 28 00-4)
M3085		1	VV	Cabinet, instrument and treatment, 36" W x 16" D x 78" H (900 mm W x 400 mm D x 1950 mm H)
F0210		AR	VV	Chair, straight, without arms
F3200		1	VV	Clock, atomic, battery operated
M1801		1	VV	Desktop PC with keyboard
E0210		1	VV	Modular work station with under counter keyboard tray, overhead storage, and wall hanger strips.
A5080		1	VV	Dispenser, paper towel, surface mounted
A5075		1	VV	Dispenser, soap, liquid, wall mounted
M7401		1	VV	Light, examining, portable, 120 volts, approx. 18" diameter x 75" H (450 mm diameter x 1875 mm H)
M4200		1	VV	Otoscope/ophthalmoscope, wall hung
F2017		1	VV	Receptacle, waste, step on type, approx. 12" (300 mm) diameter
F3010 or F3025		1	VV	Bulletin board 30" x 42" (750 mm x 1050 mm)
A5145		2	VV	Hook, coat, wall mounted
F2300		1	VV	Magazine/literature rack, wall mounted
M4100		1	VV	Sphygmomanometer, wall hung
F0340		1	VV	Stool, examining, adjustable
M9066		1	VV	Table, examining and treatment, motorized
A5180		AR	VV	Curtain, cubicle
A5106		1	VV	Sharps container
A5106		1	VV	Glove dispenser



ETM: Intake/ Exit Interview (EXRG4)

Floor Plan

NOTE: CONSIDER PROVIDING BACKING AND ROUGH-INS FOR CONVERSION TO EXAM ROOM- SEE GUIDE PLATE 4-76 SIMILAR.



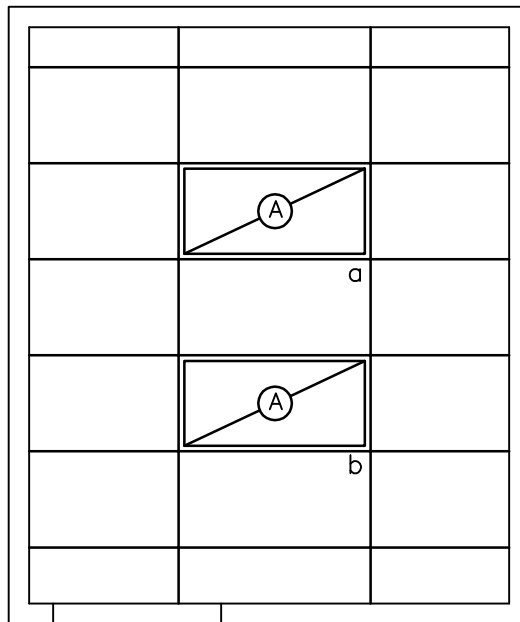
120 NSF/ 11.2 NSM

SCALE 1/4" = 1'-0"



NOTE: Guide plates are graphical representations of selected room types, illustrating the integration of space, components, systems, and equipment. They provide typical configurations and general technical guidance, and are not intended to be project specific. Specific infrastructure design requirements are contained in VA Design Manuals and Space Planning Criteria located in the VA Technical Information Library.

ETM: Intake/ Exit Interview (EXRG4)
Reflected Ceiling Plan



120 NSF/ 11.2 NSM

SCALE $\frac{1}{4}$ " = 1'-0"



NOTE: Guide plates are graphical representations of selected room types, illustrating the integration of space, components, systems, and equipment. They provide typical configurations and general technical guidance, and are not intended to be project specific. Specific infrastructure design requirements are contained in VA Design Manuals and Space Planning Criteria located in the VA Technical Information Library.

ETM: Intake / Exit Interview (EXRG4)

Design Standards

ARCHITECTURAL

Ceiling:	AT
Ceiling Height:	9'-0" (2700 mm)
Wall Finish:	GWB-P
Wainscot:	--
Base:	RB
Floor Finish:	CPT
Slab Depression:	--
Sound Protection:	STC 40
Notes:	--

SPECIAL EQUIPMENT

LIGHTING

General:	--
Special:	--
Notes:	<ol style="list-style-type: none"> 1) 2' x 4' (600 mm x 1200 mm) recessed fluorescent light fixture, parabolic louver, w/ F32T8 lamps 3500°K, CRI=70 (minimum). 2) The foot-candle level is average maintained. 3) Provide ballasts per fixture for desired switching configuration. To provide a uniform lighting level, switch inner lamp(s) on first switch and outer lamps on second switch. 4) Exact quantity, location, and lamping of light fixtures shall be chosen to meet the foot-candle requirement.

POWER

General:	As Shown
Emergency:	As Shown
Notes:	<ol style="list-style-type: none"> 1) Coordinate location and height of work station receptacles with modular furniture.

COMMUNICATION/SPECIAL SYSTEMS

Data:	Yes
Telephone:	Yes
Intercom:	--
Nurse Call:	Rough-in only
Public Address:	--
Radio/Entertainment:	--
MATV:	--
CCTV:	--
MID:	--
Security/Duress:	Yes
VTEL:	--
VA Satellite TV:	--
Notes:	<ol style="list-style-type: none"> 1) Coordinate location and height of work station telephone/data outlets with modular furniture.

HEATING, VENTILATING AND AIR CONDITIONING

Inside Design Conditions:	70°F (21°C) to 75°F (24°C) Dry-Bulb Temperature
	30 Percent to 50 Percent Relative Humidity
Minimum Air Changes per Hour:	4
100% Exhaust:	No
100% Outside Air:	No
Room Air Balance:	Neutral (0)
Dedicated Exhaust System:	No
Occupancy:	2
AC Load (Equipment):	As Required
AC Load-(Light):	As Required
Notes:	<ol style="list-style-type: none"> 1) Year around conditions.

PLUMBING AND MEDICAL GASES

Cold Water:	Rough-in only
Hot Water:	Rough-in only
Laboratory Air:	--
Laboratory Vacuum:	--
Sanitary Drain:	Rough-in only
Reagent Grade Water:	--
Medical Air:	--
Medical Vacuum:	--
Oxygen:	--
Notes:	--

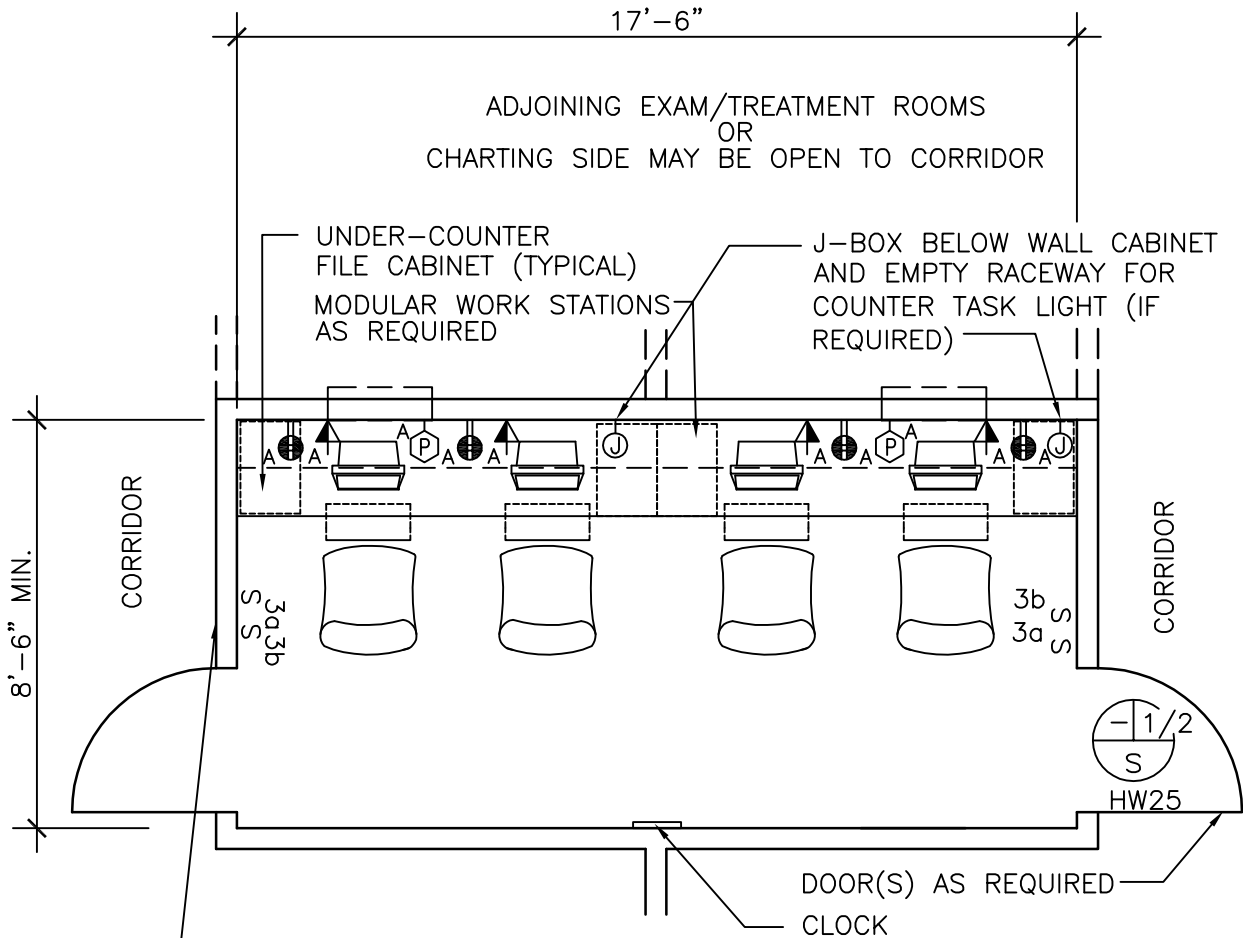
ETM: Intake / Exit Interview (EXRG4)

Equipment List

JSN	SYMBOL	QTY	AI	DESCRIPTION
	P-418	1	CC	Rough-in for lavatory, sensor control (PG-18-1, MCS 22 40 00; PG-18-4, NCS SD 22 40 00)
A1010		1	CC	Outlet, telephone/data, wall mounted (PG-18-1, MCS 27 15 00)
		1	CC	Receptacle, electrical, quadruplex, for computer equipment items (PG-18-1, MCS 26 27 26)
		AR	CC	Receptacle, electrical, duplex (PG-18-1, MCS 26 27 26)
		1	CC	Rough-in for nurse call, Code 1 (blue), emergency station, with corridor signal light (PG-18-1, MCS 27 52 23)
		1	CC	Alarm button, security/duress (PG-18-1, MCS 27 52 31)
E0210		1	VV	Modular work station with under counter keyboard tray, overhead storage, and wall hanger strips.
F0205		1	VV	Chair, rotary, with arms
F0120		1	VV	Bookcase, sectional, each section, 33" x 13" x 75" (825 mm x 325 mm x 1875 mm) with 10" (250 mm) base
A5145		2	VV	Hook, coat, wall mounted
F2000		1	VV	Receptacle, waste, 13" (325 mm) diameter
M1801		1	VV	PC, computer system, with keyboard
F0210		2	VV	Chair, straight, without arms
F3010		1	VV	Bulletin board, 48" x 36" (1200 mm x 900 mm)
F3200		1	VV	Clock, atomic, battery operated
Refer to Examination Room Guide Plate (EXRG3) for location of following:				
		AR	CC	Provide backing for future wall mounted equipment and accessories: Sphygmomanometer Otoscope / Ophthalmoscope Glove dispenser Sharps container Paper towel dispenser
		1	CC	Rough-in j-box for future x-ray film illuminator



ETM: Nurse Station Communication Center (NSTA4)
 Floor Plan



NOTE: NURSE STATION MAY BE OPEN OR ENCLOSED AS REQUIRED. PARTITIONS MAY BE PART HEIGHT OR FULL HEIGHT TO SUIT CLINICAL MODEL.

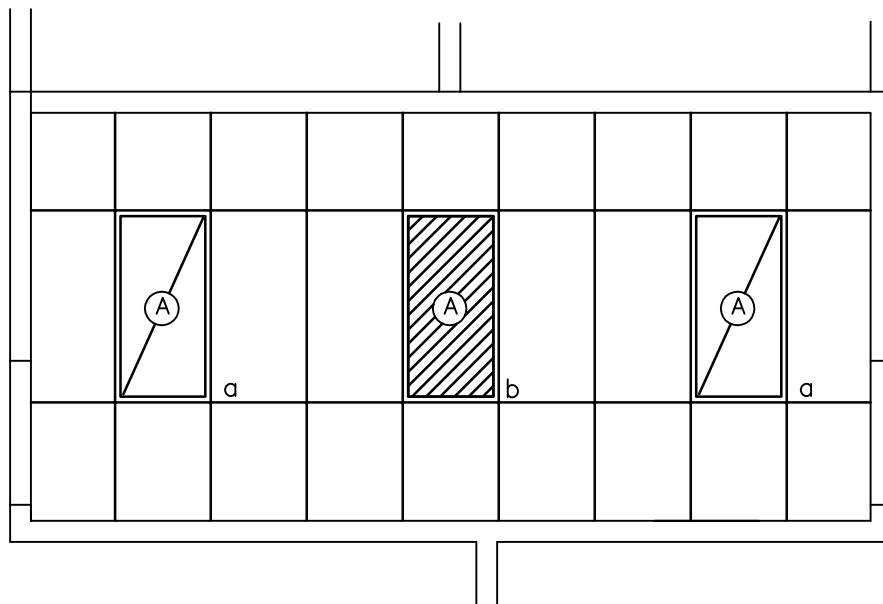
150 NSF/ 13.9 NSM

SCALE $\frac{1}{4}" = 1'-0"$



NOTE: Guide plates are graphical representations of selected room types, illustrating the integration of space, components, systems, and equipment. They provide typical configurations and general technical guidance, and are not intended to be project specific. Specific infrastructure design requirements are contained in VA Design Manuals and Space Planning Criteria located in the VA Technical Information Library.

ETM: Nurse Station Communication Center (NSTA4)
Reflected Ceiling Plan



150 NSF/ 13.9 NSM

SCALE $\frac{1}{4}'' = 1'-0''$



NOTE: Guide plates are graphical representations of selected room types, illustrating the integration of space, components, systems, and equipment. They provide typical configurations and general technical guidance, and are not intended to be project specific. Specific infrastructure design requirements are contained in VA Design Manuals and Space Planning Criteria located in the VA Technical Information Library.

ETM: Nurse Station Communication Center (NSTA4)

Design Standards

ARCHITECTURAL

Ceiling:	AT
Ceiling Height:	9'-0" (2700 mm)
Wall Finish:	GWB-P
Wainscot:	--
Base:	RB
Floor Finish:	VCT
Slab Depression:	--
Notes:	1) Provide 9" toe kick at front of counter.

SPECIAL EQUIPMENT

	--
--	----

LIGHTING

General:	--
Special:	--
Notes:	1) 2' x 4' (600 mm x 1200 mm) recessed fluorescent light fixture, parabolic louver, w/ F32T8 lamps, 3500°K, CRI=70 (minimum).
	2) The foot-candle level is average maintained.
	3) Provide ballasts per fixture for desired switching configuration. To provide a uniform lighting level, switch inner lamp(s) on first switch and outer lamps on second switch.
	4) Exact quantity, location, and lamping of light fixtures shall be chosen to meet the foot-candle requirement.

POWER

General:	As Shown
Emergency:	As Shown
Notes:	--

COMMUNICATION/SPECIAL SYSTEMS

Data:	Yes
Telephone:	Yes
Intercom:	--
Nurse Call:	--
Public Address:	Yes
Radio/Entertainment:	--
MATV:	--
CCTV:	--
MID:	--
Security/Duress:	Yes
VTEL:	--
VA Satellite TV:	--
Notes:	--

HEATING, VENTILATING AND AIR CONDITIONING

Inside Design Conditions:	70°F (21°C) to 75°F (24°C) Dry-Bulb Temperature
	30 Percent to 50 Percent Relative Humidity
Minimum Air Changes per Hour:	6
100% Exhaust:	No
100% Outside Air:	No
Room Air Balance:	Neutral (0)
Dedicated Exhaust System:	No
Occupancy:	2
AC Load (Equipment):	As Required
AC Load-(Light):	As Required
Notes:	--

PLUMBING AND MEDICAL GASES

Cold Water:	Yes
Hot Water:	Yes
Laboratory Air:	--
Laboratory Vacuum:	--
Sanitary Drain:	Yes
Reagent Grade Water:	--
Medical Air:	--
Medical Vacuum:	--
Oxygen:	--
Notes:	--

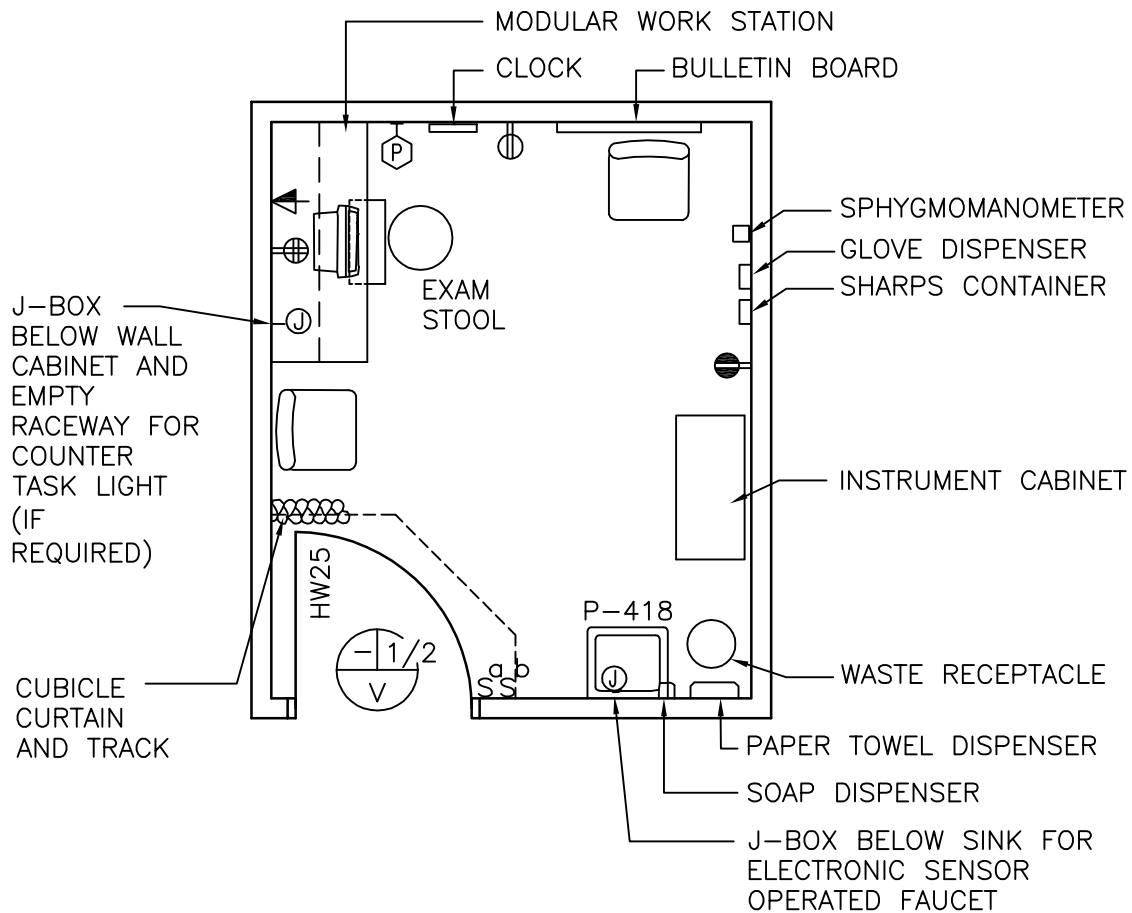
ETM: Nurse Station Communication Center (NSTA4)

Equipment List

JSN	SYMBOL	QTY	AI	DESCRIPTION
CT030		AR	CC	Counter, plastic laminate top (PG-18-1, MCS 12 36 00)
		AR	CC	Receptacle, electrical, quadruplex, for computer equipment items (PG-18-1, MCS 26 27 26)
		AR	CC	Alarm button, security/duress (PG-18-1, MCS 27 52 31)
A1010		AR	CC	Outlet, telephone/data, wall mounted (PG-18-1, MCS 27 15 00)
F0210		AR	VV	Chair, rotary, without arms
F0410		AR	VV	Metal file, under counter
M1801		AR	VV	PC, computer system, with keyboard
F3200		1	VV	Clock, atomic, battery operated



ETM: Nurse Triage (EXRG4)
 Floor Plan



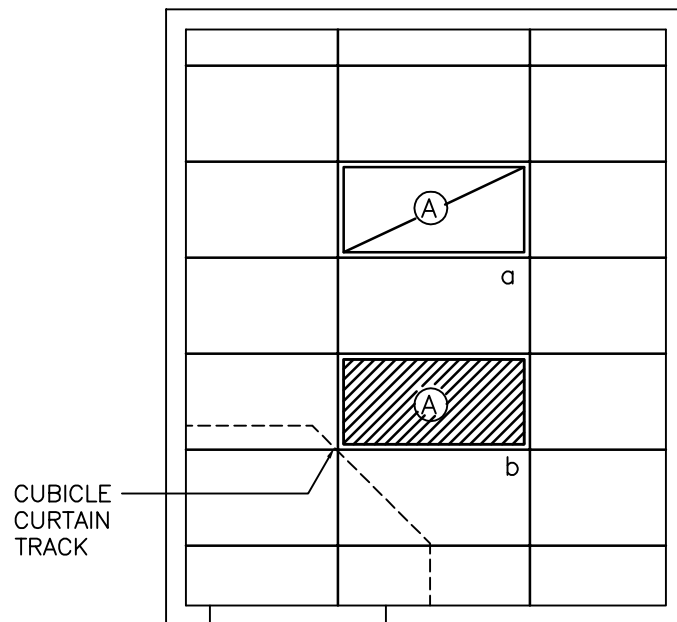
120 NSF/ 11.2 NSM

SCALE 1/4" = 1'-0"



NOTE: Guide plates are graphical representations of selected room types, illustrating the integration of space, components, systems, and equipment. They provide typical configurations and general technical guidance, and are not intended to be project specific. Specific infrastructure design requirements are contained in VA Design Manuals and Space Planning Criteria located in the VA Technical Information Library.

ETM: Nurse Triage (EXRG4)
Reflected Ceiling Plan



120 NSF/ 11.2 NSM

SCALE $\frac{1}{4}'' = 1'-0''$



NOTE: Guide plates are graphical representations of selected room types, illustrating the integration of space, components, systems, and equipment. They provide typical configurations and general technical guidance, and are not intended to be project specific. Specific infrastructure design requirements are contained in VA Design Manuals and Space Planning Criteria located in the VA Technical Information Library.

ETM: Nurse Triage (EXRG4)

Design Standards

ARCHITECTURAL

Ceiling:	AT
Ceiling Height:	9'-0" (2700 mm)
Wall Finish:	GWB-P
Wainscot:	--
Base:	RB
Floor Finish:	VCT
Slab Depression:	--
Sound Protection:	STC 40
Notes:	--

SPECIAL EQUIPMENT

LIGHTING

General:	--
Special:	--
Notes:	<ol style="list-style-type: none"> 1) 2' x 4' (600 mm x 1200 mm) recessed fluorescent light fixture. Parabolic louver w/ F32T8 lamps, 3500°K, CRI=70 (minimum). 2) The foot-candle level is average maintained. 3) Provide ballasts per fixture for desired switching configuration. To provide a uniform lighting level, switch inner lamp(s) on first switch and outer lamps on second switch. 4) Exact quantity, location, and lamping of light fixtures shall be chosen to meet the foot-candle requirement.

POWER

General:	As Shown
Emergency:	As Shown
Notes:	<ol style="list-style-type: none"> 1) Coordinate location and height of work station receptacles with modular furniture.

COMMUNICATION/SPECIAL SYSTEMS

Data:	Yes
Telephone:	Yes
Intercom:	--
Nurse Call:	--
Public Address:	--
Radio/Entertainment:	--
MATV:	--
CCTV:	--
MID:	--
Security/Duress:	Yes
VTEL:	--
VA Satellite TV:	--
Notes:	<ol style="list-style-type: none"> 1) Coordinate location and height of work station telephone/data outlets with modular furniture.

HEATING, VENTILATING AND AIR CONDITIONING

Inside Design Conditions:	70°F (21°C) to 75°F (24°C) Dry-Bulb Temperature
	30 Percent to 50 Percent Relative Humidity
Minimum Air Changes per Hour:	12
100% Exhaust:	Yes
100% Outside Air:	Only if served by 100% OA (Outside Air) AHU
Room Air Balance:	Negative (-)
Dedicated Exhaust System:	No
Occupancy:	3
AC Load (Equipment):	As Required
AC Load-(Light):	As Required
Notes:	<ol style="list-style-type: none"> 1) Year around conditions.

PLUMBING AND MEDICAL GASES

Cold Water:	Yes
Hot Water:	Yes
Laboratory Air:	--
Laboratory Vacuum:	--
Sanitary Drain:	Yes
Reagent Grade Water:	--
Medical Air:	--
Medical Vacuum:	--
Oxygen:	--
Notes:	--

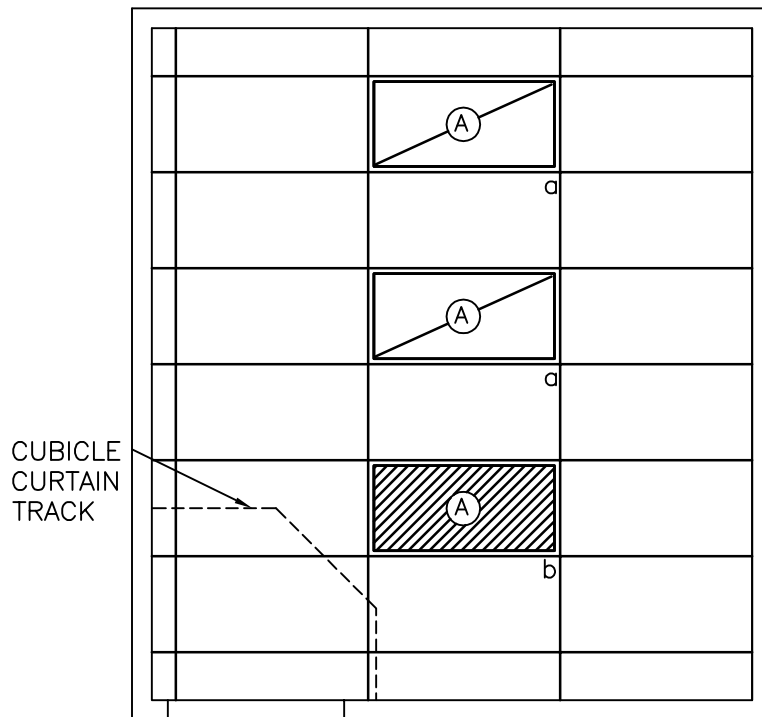
ETM Nurse Triage (EXRG4)

Equipment List

JSN	SYMBOL	QTY	AI	DESCRIPTION
P3100	P-418	1	CC	Lavatory, sensor control (PG-18-1, MCS 22 40 00; PG-18-4, NCS SD 22 40 00)
A5180		1	CC	Track, curtain, cubicle, ceiling type, surface mounted (PG-18-1, MCS 10 21 23)
A1010		1	CC	Outlet, telephone/data, wall mounted (PG-18-1, MCS 27 15 00)
		1	CC	Receptacle, electrical, quadruplex, for computer equipment items (PG-18-1, MCS 26 27 26)
		AR	CC	Receptacle, electrical, duplex (PG-18-1, MCS 26 27 26)
		1	CC	Alarm button, security/duress (PG-18-1, MCS 27 52 31)
A5075		1	VV	Dispenser, soap, liquid, wall mounted
A5080		1	VV	Dispenser, paper towel, surface mounted
F2017		1	VV	Receptacle, waste, step on type, approx. 12" (300 mm) diameter
A5180		1	VV	Curtain, cubicle
F0210		AR	VV	Chair, straight, without arms
E0210		1	VV	Modular work station with under counter keyboard tray, overhead storage, and wall hanger strips.
F0340		1	VV	Stool, examining
M3085		1	VV	Cabinet, instrument and treatment, 36" W x 16" D x 78" H (900 mm W x 400 mm D x 1950 mm H)
M1801		1	VV	CRT, computer system, with keyboard
M4100		1	VV	Sphygmomanometer, wall hung
F3010 or F3025		1	VV	Bulletin board, 48" x 36" (1200 mm x 900 mm)
F3200		1	VV	Clock, atomic, battery operated
A5106		1	VV	Sharps container, wall mounted
A5106		1	VV	Glove dispenser, wall mounted



ETM: Procedure Room, General Purpose (TRGM1)
Reflected Ceiling Plan



175 NSF/ 16.3 NSM

SCALE 1/4" = 1'-0"



NOTE: Guide plates are graphical representations of selected room types, illustrating the integration of space, components, systems, and equipment. They provide typical configurations and general technical guidance, and are not intended to be project specific. Specific infrastructure design requirements are contained in VA Design Manuals and Space Planning Criteria located in the VA Technical Information Library.

ETM: Procedure Room, General Purpose (TRGM1)

Design Standards

ARCHITECTURAL

Ceiling:	AT
Ceiling Height:	9'-0" (2700 mm)
Wall Finish:	GWB-P
Wainscot:	--
Base:	RB
Floor Finish:	VCT
Slab Depression:	--
Sound Protection:	STC 40
Notes:	--

SPECIAL EQUIPMENT

As Required

LIGHTING

General:	--
Special:	--
Notes:	<ol style="list-style-type: none"> 1) Recessed 2' x 4' (600 mm x 1200 mm) fluorescent light fixture, acrylic prismatic lens, w/ F32T8 lamps. Color corrected lamps having a color rendering index (CRI) of 70 or above with color temperature of 3500°K. 2) The foot-candle level is average maintained. 3) Provide ballasts per fixture for desired switching configuration. To provide a uniform lighting level, switch inner lamp(s) on first switch and outer lamps on second switch. 4) Exact quantity, location, and lamping of light fixtures shall be chosen to meet the foot-candle requirement. 5) Fluorescent nurse call light.

POWER

General:	As Shown
Emergency:	As Shown
Notes:	<ol style="list-style-type: none"> 1) Lighting; portable light; x-ray illuminator; select receptacles shall be on emergency power. 2) Coordinate location and height of work station receptacles with modular furniture. 3) Exam table may be wall outlet connected.

COMMUNICATION/SPECIAL SYSTEMS

Data:	Yes
Telephone:	Yes
Intercom:	--
Nurse Call:	Yes
Public Address:	--
Radio/Entertainment:	--
MATV:	--
CCTV:	--
MID:	--
Security/Duress:	Yes
VTEL:	--
VA Satellite TV:	--
Notes:	1) Coordinate location and height of work station telephone/data outlets with modular furniture.

HEATING, VENTILATING AND AIR CONDITIONING

Inside Design Conditions:	70°F (21°C) to 75°F (24°C) Dry-Bulb Temperature
	30 Percent to 50 Percent Relative Humidity
Minimum Air Changes per Hour:	12
100% Exhaust:	No
100% Outside Air:	No
Room Air Balance:	Positive (+)
Dedicated Exhaust System:	No
Occupancy:	5
AC Load (Equipment):	As Required
AC Load-(Light):	As Required
Notes:	1) Year around conditions.

PLUMBING AND MEDICAL GASES

Cold Water:	Yes
Hot Water:	Yes
Laboratory Air:	--
Laboratory Vacuum:	--
Sanitary Drain:	Yes
Reagent Grade Water:	--
Medical Air:	Yes
Medical Vacuum:	Yes
Oxygen:	Yes
Notes:	--

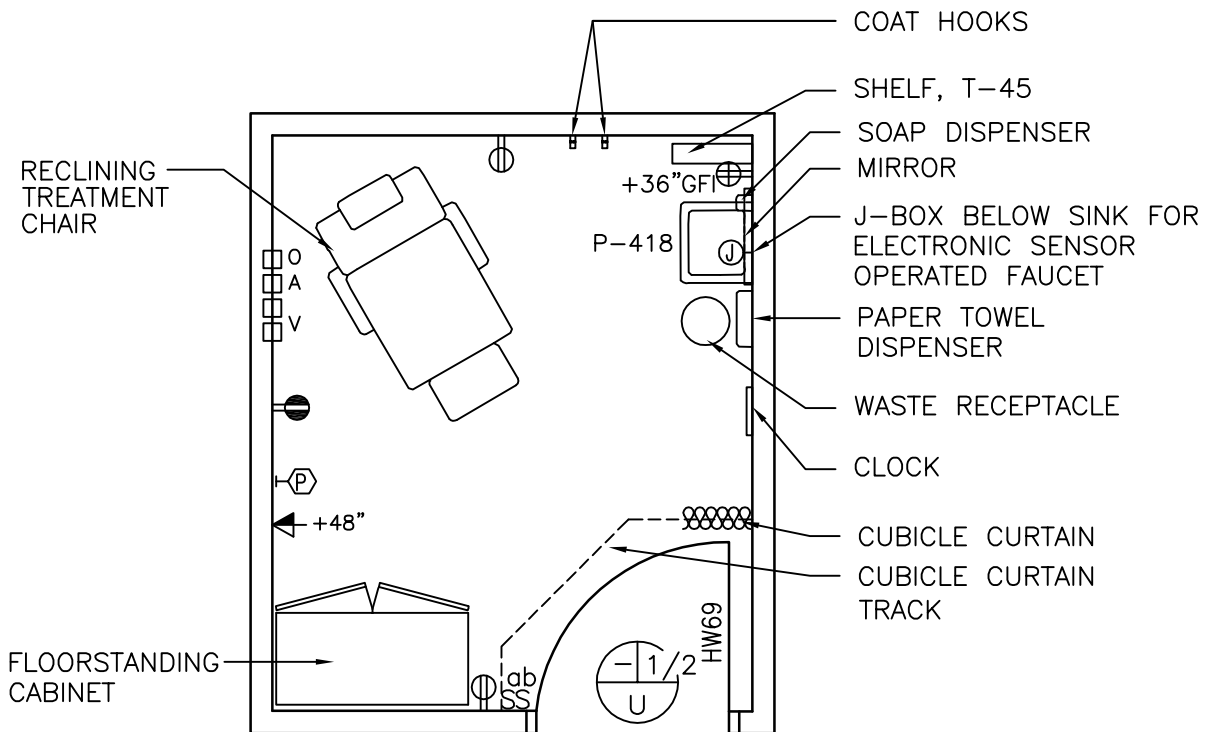
ETM: Procedure Room, General Purpose (TRGM1)

Equipment List

JSN	SYMBOL	QTY	AI	DESCRIPTION
P3100	P-418	1	CC	Lavatory, sensor control (PG-18-1, MCS 22 40 00; PG-18-4, NCS SD 22 40 00)
A1010		AR	CC	Outlet, telephone/data, wall mounted (PG-18-1, MCS 27 15 00)
		1	CC	Receptacle, electrical, quadruplex, for computer equipment items (PG-18-1, MCS 26 27 26)
		AR	CC	Receptacle, electrical, duplex (PG-18-1, MCS 26 27 26)
		1	CC	Nurse call, emergency station, with pull cord and corridor signal light (PG-18-1, MCS 27 52 23)
		1	CC	Alarm button, security/duress (PG-18-1, MCS 27 52 31)
A5180		AR	CC	Track, curtain, cubicle, surface mounted (PG-18-1, MCS 10 21 23)
		1	CC	Outlet, medical air, wall mounted (PG-18-1, MCS 22 63 00)
		1	CC	Outlet, oxygen, wall mounted (PG-18-1, MCS 22 63 00)
		1	CC	Outlet, medical vacuum, wall mounted (PG-18-1, MCS 22 62 00)
M8320		1	VV	Table, treatment, hi-lo, electrical, 120 volt, 30" x 78" x 32" (750 mm x 1950 mm x 800 mm)
		1	VV	Bracket, vacuum bottle, slide (PG-18-1, MCS 22 62 00)
M7401		1	VV	Light, examining, portable, 120 volt, approx. 18" diameter x 75" H (450 mm diameter x 1875 mm H)
A5075		1	VV	Dispenser, soap, liquid, wall mounted
A5080		1	VV	Dispenser, paper towel, surface mounted
F2017		1	VV	Receptacle, waste, step on type, approx. 12" (300 mm) diameter
F3010 or F3025		1	VV	Bulletin board, 60" x 36" (1520 mm x 900 mm)
X3930		1	VV	Illuminator, x-ray film, 120 volt, wall mounted, individual switch for two, 14" x 17" (350 mm x 425 mm) radiographs, 31" W x 20" H (775 mm W x 500 mm H)
M4200		1	VV	Ophthalmoscope, wall hung
M4200		1	VV	Otoscope, wall hung
M4100		1	VV	Sphygmomanometer, wall hung
A5145		2	VV	Hook, coat, wall mounted
F3200		1	VV	Clock, atomic, battery operated
A5180		AR	VV	Curtain, cubicle
A5106		1	VV	Sharps container, wall mounted
A5106		1	VV	Glove dispenser, wall mounted
M1801		1	VV	PC, computer system
F0205		1	VV	Chair, rotary, with arms
F0210		1	VV	Chair, straight, without arms
E0210		1	VV	Modular work station with under counter keyboard tray, overhead storage, and wall hanger strips.
M3070		1	VV	Hamper, soiled linen
F0205		AR	VV	Automated storage/dispensing unit (cell), approx. 27" W x 25" D x 78" H (675 mm W x 635 mm D x 1950 mm H)



AIDS Clinic: Aerosolized Pentamidine Procedure Room (OPRT1)
 Floor Plan



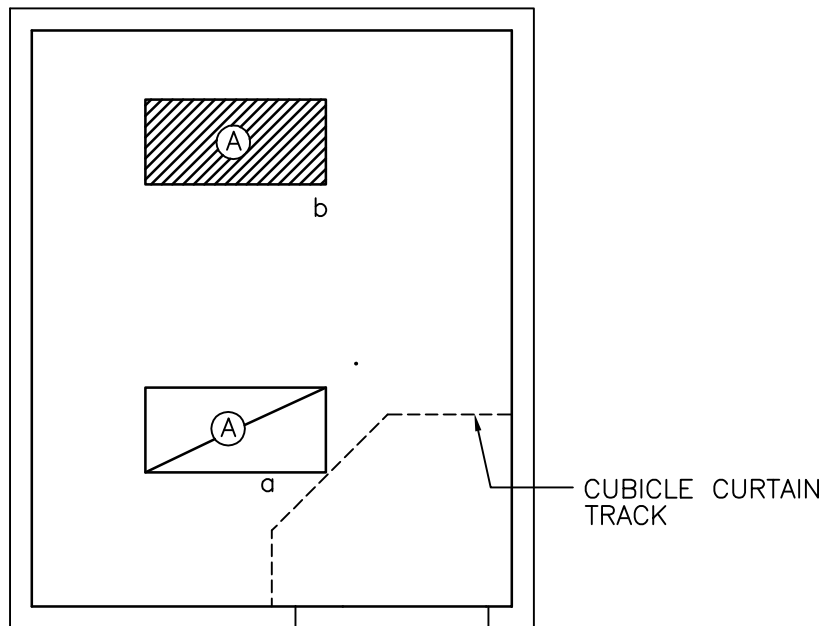
120 NSF/ 11.15 NSM

SCALE $\frac{1}{4}" = 1'-0"$



NOTE: Guide plates are graphical representations of selected room types, illustrating the integration of space, components, systems, and equipment. They provide typical configurations and general technical guidance, and are not intended to be project specific. Specific infrastructure design requirements are contained in VA Design Manuals and Space Planning Criteria located in the VA Technical Information Library.

AIDS Clinic: Aerosolized Pentamidine Procedure Room (OPRT1)
Reflected Ceiling Plan



120 NSF/ 11.15 NSM

SCALE $\frac{1}{4}'' = 1'-0''$



NOTE: Guide plates are graphical representations of selected room types, illustrating the integration of space, components, systems, and equipment. They provide typical configurations and general technical guidance, and are not intended to be project specific. Specific infrastructure design requirements are contained in VA Design Manuals and Space Planning Criteria located in the VA Technical Information Library.

AIDS Clinic: Aerosolized Pentamidine Procedure Room (OPRT1)

Design Standards

ARCHITECTURAL

Ceiling:	GWB-SC
Ceiling Height:	9'-0" (2700 mm)
Wall Finish:	GWB-P
Wainscot:	--
Base:	RB
Floor Finish:	VCT
Slab Depression:	--
Sound Protection:	STC 40
Notes:	--

SPECIAL EQUIPMENT

	--
--	----

LIGHTING

General:	--
Special:	--
Notes:	<ol style="list-style-type: none"> 1) 2' x 4' (600 mm x 1200 mm) recessed fluorescent fixture with acrylic prismatic lens w/ F32T8 lamps, 3500°K, CRI=70 (minimum). 2) The foot-candle level is average maintained. 3) Provide ballasts per fixture for desired switching configuration. To provide a uniform lighting level, switch inner lamp(s) on first switch and outer lamps on second switch. 4) Exact quantity, location, and lamping of light fixtures shall be chosen to meet the foot-candle requirement.

POWER

General:	As Shown
Emergency:	As Shown
Notes:	--

COMMUNICATION/SPECIAL SYSTEMS

Data:	Yes
Telephone:	Yes
Intercom:	--
Nurse Call:	--
Public Address:	--
Radio/Entertainment:	--
MATV:	--
CCTV:	--
MID:	--
Security/Duress:	Yes
VTEL:	--
VA Satellite TV:	--
Notes:	--

HEATING, VENTILATING AND AIR CONDITIONING

Inside Design Conditions:	70°F (21°C) to 75°F (24°C) Dry-Bulb Temperature
	30 Percent to 50 Percent Relative Humidity
Minimum Air Changes per Hour:	12
100% Exhaust:	Yes
100% Outside Air:	No
Room Air Balance:	Negative (-)
Dedicated Exhaust System:	Yes
Occupancy:	3
AC Load-(Equipment):	As Required
AC Load-(Light):	As Required
Notes:	1) Year around conditions.

PLUMBING AND MEDICAL GASES

Cold Water:	Yes
Hot Water:	Yes
Laboratory Air:	--
Laboratory Vacuum:	--
Sanitary Drain:	Yes
Reagent Grade Water:	--
Medical Air:	Yes
Medical Vacuum:	Yes
Oxygen:	Yes
Notes:	--

AIDS Clinic: Aerosolized Pentamidine Procedure Room (OPRT1)

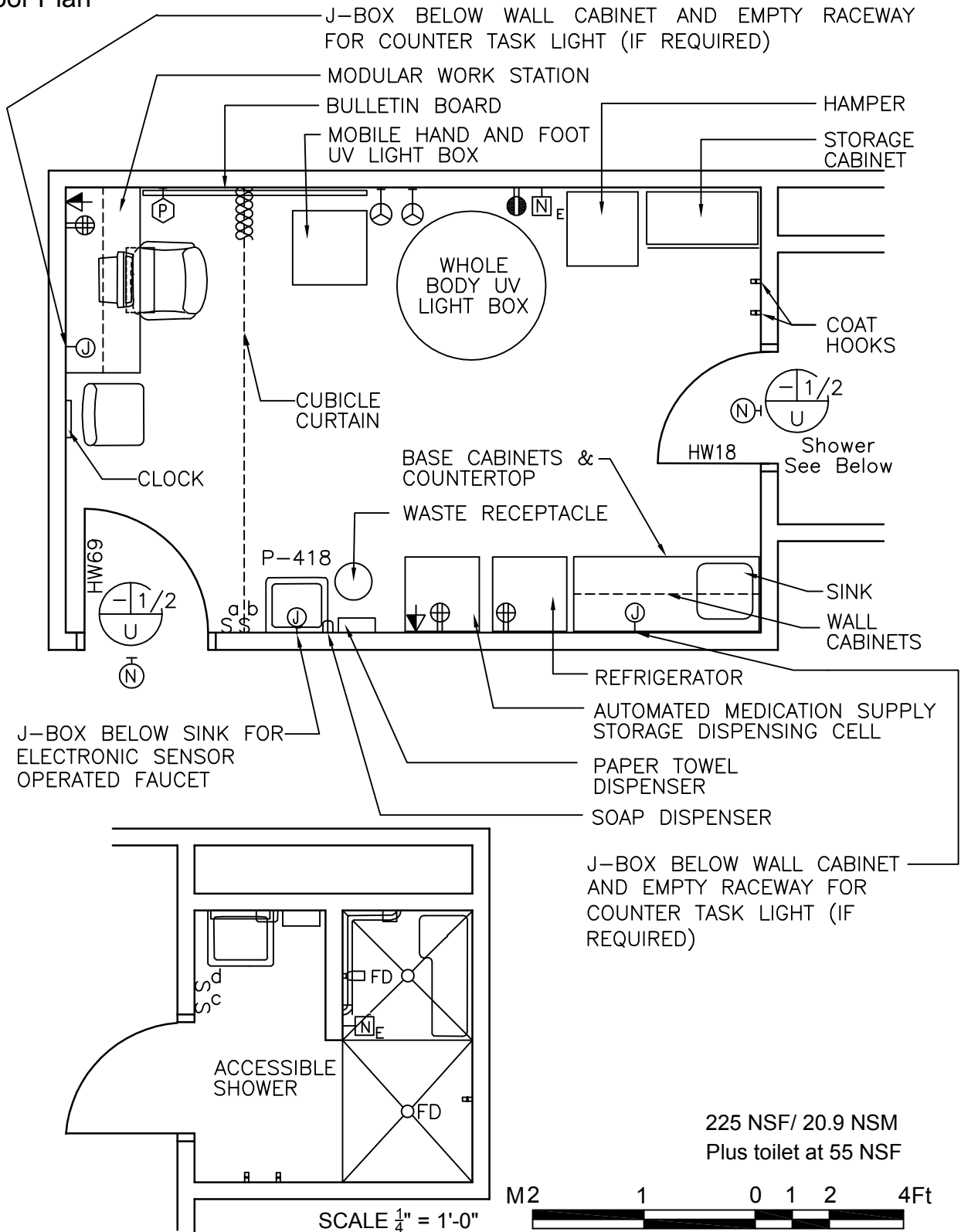
Equipment List

JSN	SYMBOL	QTY	AI	DESCRIPTION
P3100	P-418	1	CC	Lavatory, sensor control (PG-18-1, MCS 22 40 00; PG-18-4, NCS SD 22 40 00)
A5165	T45	1	CC	Shelf, corrosion resisting steel, 12" W x 5" D (300 mm W x 125 mm D) (PG-18-1, MCS 10 28 00; PG-18-4, NCS SD 10 28 00-8.dwg)
A1066		1	CC	Mirror, 24" x 36" (600 mm x 900 mm) (PG-18-1, MCS 10 28 00)
A5180		1	CC	Track, curtain, cubicle, ceiling type, surface mounted (PG-18-1, MCS 10 21 23)
		1	CC	Outlet, medical air, wall mounted (PG-18-1, MCS 22 63 00)
		1	CC	Outlet, oxygen, wall mounted (PG-18-1, MCS 22 63 00)
		1	CC	Outlet, medical vacuum, wall mounted (PG-18-1, MCS 22 62 00)
A1010		1	CC	Outlet, telephone/data, wall mounted (PG-18-1, MCS 27 15 00)
		AR	CC	Receptacle, electrical, duplex (PG-18-1, MCS 26 27 26)
		1	CC	Alarm button, security/duress (PG-18-1, MCS 27 52 31)
		1	CC	Receptacle, electrical, duplex, with ground fault interrupter (PG-18-1, MCS 26 27 26)
F0465		1	VV	Cabinet, floor standing, steel, 2 door, with 5 adjustable shelves, 48" W x 24" D x 36" H (1200 mm W x 600 mm D x 900 mm H)
F0265		1	VV	Chair, reclining, upholstered, 36" x 38" x 72" (900 mm x 950 mm x 1800 mm) (extended)
F3200		1	VV	Clock, atomic, battery operated
A5080		1	VV	Dispenser, paper towel, surface mounted
A5075		1	VV	Dispenser, soap, liquid, wall mounted
A5145		2	VV	Hook, coat, wall mounted
A5180		1	VV	Curtain, cubicle



Dermatology: Phototherapy Treatment Room (OPDU1) & Shower Room (SHWR1)

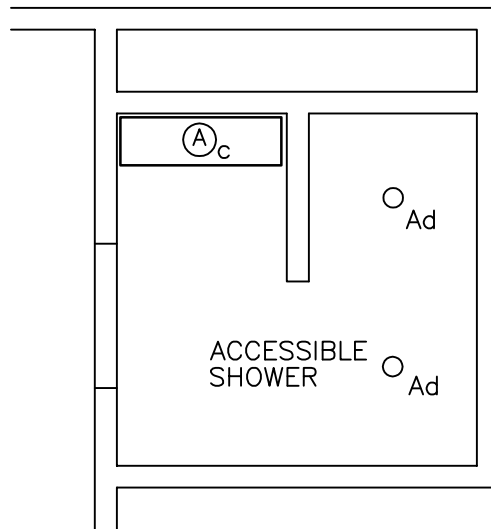
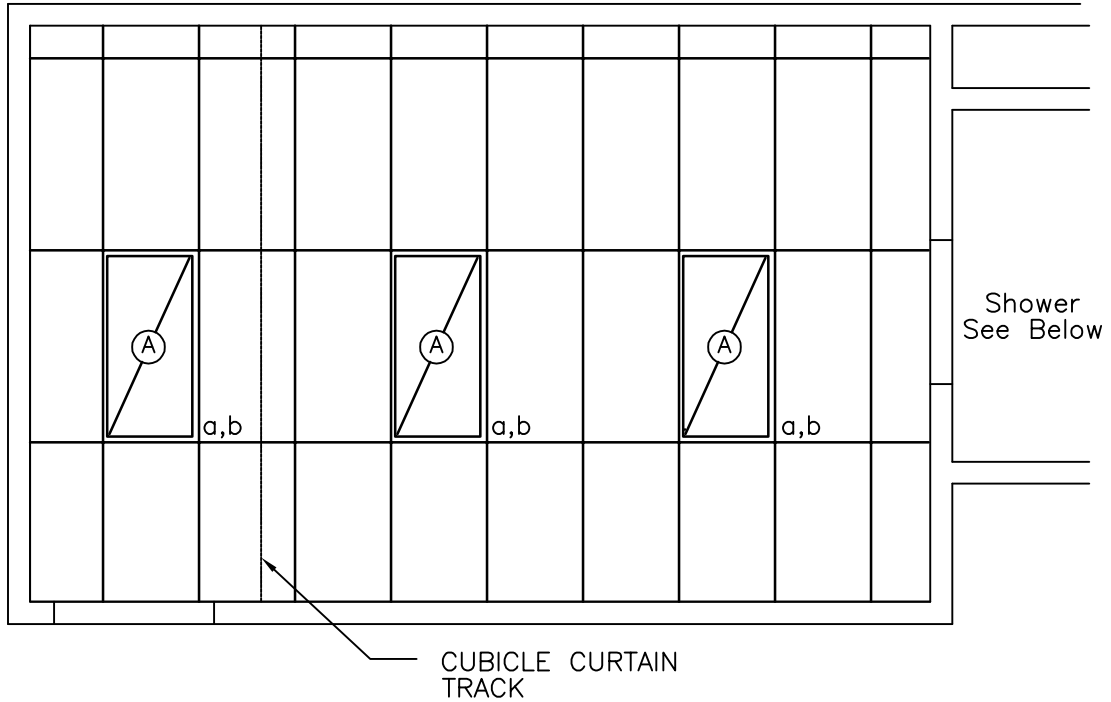
Floor Plan



NOTE: Guide plates are graphical representations of selected room types, illustrating the integration of space, components, systems, and equipment. They provide typical configurations and general technical guidance, and are not intended to be project specific. Specific infrastructure design requirements are contained in VA Design Manuals and Space Planning Criteria located in the VA Technical Information Library.

Dermatology: Phototherapy Treatment Room (OPDU1) & Shower Room (SHWR1)
 Reflected Ceiling Plan

PHOTOTHERAPY TREATMENT ROOM



225 NSF/ 20.9 NSM
 Plus toilet at 55 NSF

SCALE 1/4" = 1'-0"



NOTE: Guide plates are graphical representations of selected room types, illustrating the integration of space, components, systems, and equipment. They provide typical configurations and general technical guidance, and are not intended to be project specific. Specific infrastructure design requirements are contained in VA Design Manuals and Space Planning Criteria located in the VA Technical Information Library.

Dermatology: Phototherapy Treatment Room (OPDU1) & Shower Room (SHWR1)

Design Standards

ARCHITECTURAL

TREATMENT ROOM

Ceiling: AT
 Ceiling Height: 9'-0" (2700 mm)
 Wall Finish: GWB-P
 Base: RSF-6" (150 mm) Integral Cove
 Floor Finish: RSF

SHOWER ROOM

Ceiling: PCP-P/GWB-P/PL-P
 Ceiling Height: 9'-0" (2700 mm)
 Wall Finish: CT, full height
 Base: CT
 Floor Finish: CT; (non-slip)
 Slab Depression: 3" (75 mm)

Notes: 1) Extend shower pan waterproofing through drying area and provide floor drain.

SPECIAL EQUIPMENT

--

LIGHTING

General: --

Special: --

- Notes: 1) 2' x 4' (600 mm x 1200 mm) recessed fluorescent fixture with acrylic prismatic lens w/ F32T8 lamps, 3500°K, CRI=70 (minimum).
 2) The foot-candle level is average maintained.
 3) Wall mounted fixture with fluorescent lamp.
 4) Recessed wet listed light fixture with 32 watt lamp.
 5) Provide ballasts per fixture for desired switching configuration. To provide a uniform lighting level, switch inner lamp(s) on first switch and outer lamps on second switch.
 6) Exact quantity, location, and lamping of light fixtures shall be chosen to meet the foot-candle requirement.
 7) Fluorescent nurse call light.

POWER

General: As Shown

Emergency: As Shown

Notes: 1) Junction box for connection to UV light box at 208V. Voltage, phase, and required connection per equipment manufacturer.

POWER (Cont'd)

- 2) Coordinate location and height of work station receptacles with modular furniture.

COMMUNICATION/SPECIAL SYSTEMS

Data: Yes
 Telephone: Yes
 Intercom: --
 Nurse Call: Yes
 Public Address: --
 Radio/Entertainment: --
 MATV: --
 CCTV: --
 MID: --
 Security/Duress: Yes
 VTEL: --
 VA Satellite TV: --

Notes: 1) Coordinate location and height of work station telephone/data outlets with modular furniture.

HEATING, VENTILATING AND AIR CONDITIONING

Inside Design Conditions: 70°F (21°C) to 75°F (24°C) Dry-Bulb Temperature
 30 Percent to 50 Percent Relative Humidity
 Minimum Air Changes per Hour: 6
 100% Exhaust: From Toilet Only
 100% Outside Air: No
 Room Air Balance: Treatment Room Neutral (0) Toilet Negative (-)
 Dedicated Exhaust System: No
 Occupancy: 3
 AC Load-(Equipment): As Required
 AC Load-(Light): As Required
 Notes: 1) Year around conditions.

PLUMBING AND MEDICAL GASES

Cold Water: Yes
 Hot Water: Yes
 Laboratory Air: --
 Laboratory Vacuum: --
 Sanitary Drain: Yes
 Reagent Grade Water: --
 Medical Air: --
 Medical Vacuum: --
 Oxygen: --
 Notes: --

Dermatology: Phototherapy Treatment Room (OPDU1) & Shower Room (SHWR1)

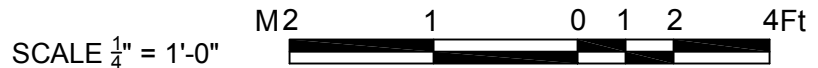
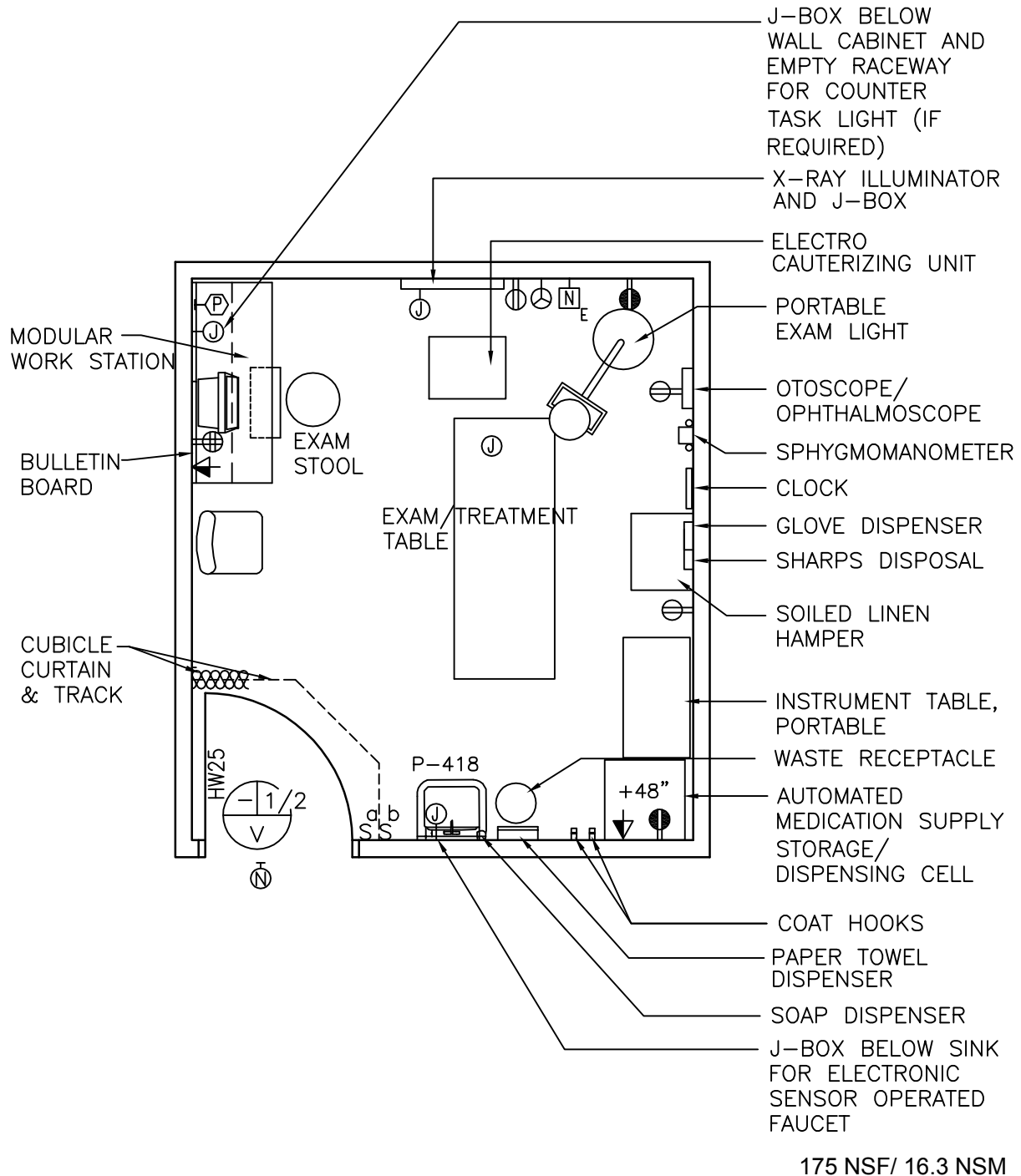
Equipment List

JSN	SYMBOL	QTY	AI	DESCRIPTION
P3100	P-418	1	CC	Lavatory, sensor control (PG-18-1, MCS 22 40 00; PG-18-4, NCS SD 22 40 00)
A5180		AR	CC	Track, curtain, cubicle, ceiling type, surface mounted (PG-18-1, MCS 10 21 23)
		2	CC	Power, for light boxes (PG-18-1, MCS 26 27 26). Verify equipment voltage.
A1010		AR	CC	Outlet, telephone/data, wall mounted (PG-18-1, MCS 27 15 00)
		1	CC	Receptacle, electrical, quadruplex, for computer equipment items (PG-18-1, MCS 26 27 26)
		AR	CC	Receptacle, electrical, duplex, with ground fault interrupter (PG-18-1, MCS 26 27 26)
		1	CC	Alarm button, security/duress (PG-18-1, MCS 27 52 31)
A6105 or E0210		AR	CC	Modular casework base and wall cabinets with plastic laminate top (PG-18-1, MCS 12 32 00 and 12 36 00)
D0795		1	CC	Sink, single bowl, CRS, self rimming (PG-18-1, MCS 12 36 00)
		1	CC	Nurse call, emergency station, with pull cord and corridor signal light (PG-18-1, MCS 27 52 23)
F0465		1	VV	Cabinet, storage, steel, freestanding with 2 doors, 5 adjustable shelves and lock 36" W x 18" D x 84" H (900 mm W x 450 mm D X 2100 mm H)
F0205		1	VV	Chair, rotary, with arms
F0210		AR	VV	Chair, straight, without arms
F3200		1	VV	Clock, atomic, battery operated
A5145		2	VV	Hook, coat, wall mounted
E0210		1	VV	Modular work station with under counter keyboard tray, overhead storage, and wall hanger strips.
A5080		1	VV	Dispenser, paper towel, surface mounted
A5075		1	VV	Dispenser, soap, liquid, wall mounted
M8192		1	VV	Hand and foot UV light box, on mobile stand, approx. 24" W x 24" D x 30" H (600 mm W x 600 mm D x 750 mm H)
F2017		1	VV	Receptacle, waste, step on type, approx. 15" (380 mm) diameter
M1801		1	VV	PC, computer system, with keyboard
M7410, M8190		1	VV	Whole body UV light box, approx. 4" (100 mm) diameter in closed position
A5180		AR	VV	Curtain, cubicle
F3010 or F3025		1	VV	Bulletin board, 30" x 42" (750 mm x 1050 mm)
M3070		1	VV	Hamper, soiled linen and towels
R7000		1	VV	Refrigerator, domestic type, 15 cu ft (0.42 m ³), approx. 31" x 28" x 66" (775 mm x 700 mm x 1650 mm)
M3150		AR	VV	Automated supply storage/dispensing unit (cell), approx. 27" W x 25" D x 78" H (675 mm W x 635 mm D x 1950 mm H) each cell

Dermatology: Procedure/ Treatment Room (TRGS1)

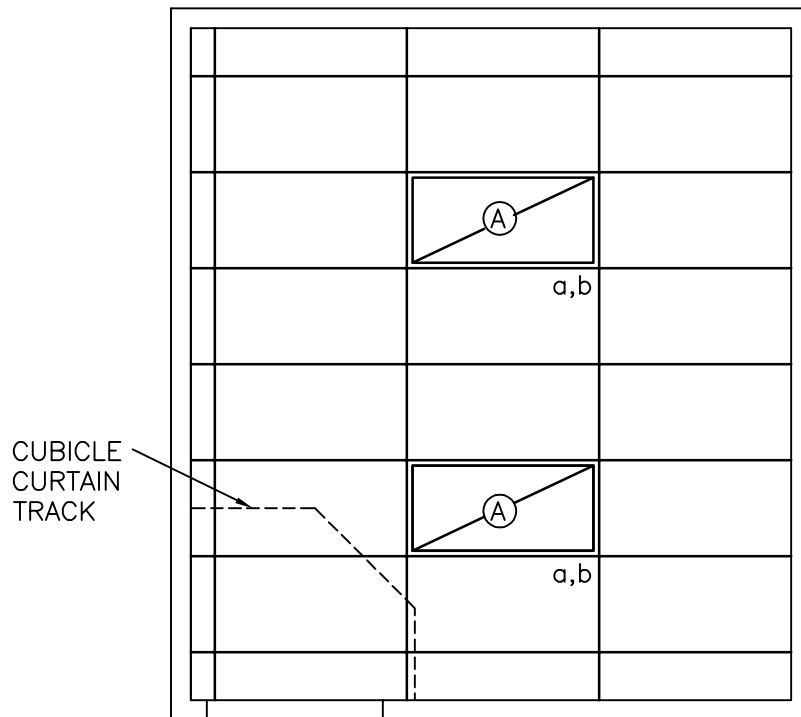
Floor Plan

NOTE: MOHS CLINIC PROCEDURE ROOM SIMILAR.



NOTE: Guide plates are graphical representations of selected room types, illustrating the integration of space, components, systems, and equipment. They provide typical configurations and general technical guidance, and are not intended to be project specific. Specific infrastructure design requirements are contained in VA Design Manuals and Space Planning Criteria located in the VA Technical Information Library.

Dermatology: Procedure/ Treatment Room (TRGS1)
Reflected Ceiling Plan



175 NSF/ 16.3 NSM

SCALE $\frac{1}{4}'' = 1'-0''$



NOTE: Guide plates are graphical representations of selected room types, illustrating the integration of space, components, systems, and equipment. They provide typical configurations and general technical guidance, and are not intended to be project specific. Specific infrastructure design requirements are contained in VA Design Manuals and Space Planning Criteria located in the VA Technical Information Library.

Dermatology: Procedure/Treatment Room (TRGS1)

Design Standards

ARCHITECTURAL

Ceiling:	AT
Ceiling Height:	9'-0" (2700 mm)
Wall Finish:	GWB-P
Wainscot:	--
Base:	RB
Floor Finish:	VCT
Slab Depression:	--
Sound Protection:	STC 40
Notes:	--

SPECIAL EQUIPMENT

	--
--	----

LIGHTING

General:	--
Special:	Yes

- Notes:
- 1) 2' x 4' (600 mm x 1200 mm) recessed fluorescent light fixture with acrylic prismatic lens w/ F32T8 lamps. Fluorescent lamp Kelvin temperature shall be 3500°K, CRI=70 (minimum).
 - 2) The foot-candle level is average maintained.
 - 3) Provide ballasts per fixture for desired switching configuration. To provide a uniform lighting level, switch inner lamp(s) on first switch and outer lamps on second switch.
 - 4) Exact quantity, location, and lamping of light fixtures shall be chosen to meet the foot-candle requirement.
 - 5) Fluorescent nurse call light.

POWER

General:	As Shown
Emergency:	As Shown

- Notes:
- 1) Junction box x-ray illuminator. Connect per equipment manufacturer.
 - 2) Floor mounted junction box for powered exam and treatment table. Connect per equipment manufacturer.
 - 3) Coordinate location and height of work station receptacles with modular furniture.
 - 4) Exam table may be wall outlet connected.

COMMUNICATION/SPECIAL SYSTEMS

Data:	Yes
Telephone:	Yes
Intercom:	--
Nurse Call:	Yes
Public Address:	--
Radio/Entertainment:	--
MATV:	--
CCTV:	--
MID:	--
Security/Duress:	Yes
VTEL:	--
VA Satellite TV:	--

Notes: 1) Coordinate location and height of work station telephone/data outlets with modular furniture.

HEATING, VENTILATING AND AIR CONDITIONING

Inside Design Conditions:	70°F (21°C) to 75°F (24°C) Dry-Bulb Temperature
	30 Percent to 50 Percent Relative Humidity
Minimum Air Changes per Hour:	6
100% Exhaust:	No
100% Outside Air:	No
Room Air Balance:	Negative (-)
Dedicated Exhaust System:	No
Occupancy:	3
AC Load-(Equipment):	As Required
AC Load-(Light):	As Required

Notes: 1) Year around conditions.

PLUMBING AND MEDICAL GASES

Cold Water:	Yes
Hot Water:	Yes
Laboratory Air:	--
Laboratory Vacuum:	--
Sanitary Drain:	Yes
Reagent Grade Water:	--
Medical Air:	--
Medical Vacuum:	--
Oxygen:	--
Notes:	--

Dermatology: Procedure/Treatment Room (TRGS1)

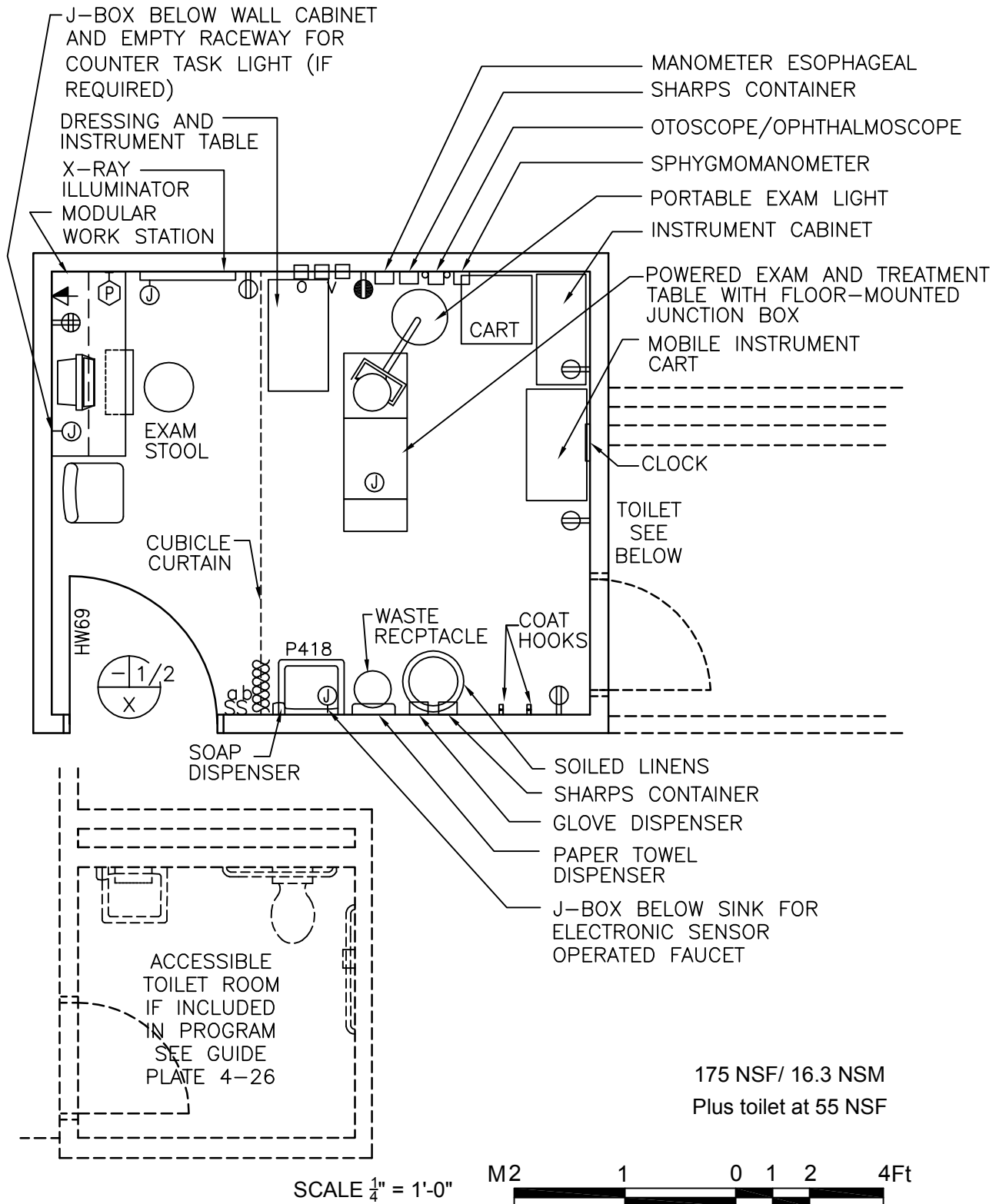
Equipment List

JSN	SYMBOL	QTY	AI	DESCRIPTION
P3100	P-418	1	CC	Lavatory, sensor control (PG-18-1, MCS 22 40 00; PG-18-4, NCS SD 22 40 00)
A5180		1	CC	Track, curtain, cubicle, ceiling type, surface mounted (PG-18-1, MCS 10 21 23)
		1	CC	Junction box, floor, 120V power for examining table (PG-18-1, MCS 26 27 26)
A1010		2	CC	Outlet, telephone/data, wall mounted (PG-18-1, MCS 27 15 00)
		1	CC	Receptacle, electrical, quadruplex, for computer equipment items (PG-18-1, MCS 26 27 26)
		AR	CC	Receptacle, electrical, duplex (PG-18-1, MCS 26 27 26)
		1	CC	Nurse call, emergency station, with pull cord and corridor signal light (PG-18-1, MCS 27 52 23)
		1	CC	Alarm button, security/duress (PG-18-1, MCS 27 52 31)
M7420		1	VV	Light, examining, portable, 120 volt, approx. 18" diameter x 75" H (450 mm diameter x 1875 mm H)
E0210		AR	VV	Modular work station with under counter keyboard tray, overhead storage, and wall hanger strips.
F3200		1	VV	Clock, atomic, battery operated
A5080		1	VV	Dispenser, paper towel, surface mounted
A5075		1	VV	Dispenser, soap, liquid, wall mounted
M3185		1	VV	Electro-surgical unit, mobile, approx. 21" W x 24" D (525 mm W x 600 mm D)
A5145		2	VV	Hook, coat, wall mounted
X3930		1	VV	Illuminator, x-ray film, 120 volts, wall mounted, individual switch for two, 14" x 17" (350 mm x 425 mm) radiographs, 31" W x 20" H (775 mm W x 500 mm H)
F2017		1	VV	Receptacle, waste, step on type, approx. 12" (300 mm) diameter
M1801		1	VV	PC, computer system, with keyboard
F0210		1	VV	Chair, straight, without arms
M9066		1	VV	Table, examining and treatment, motorized
M8830		1	VV	Table, instrument, dressing, corrosion resisting steel, 20" W x 36" L x 35" H (500 mm W x 900 mm L x 875 mm H)
A5180		1	VV	Curtain, cubicle
M4100		1	VV	Sphygmomanometer, wall hung
M4200		1	VV	Otoscope, wall hung
M4200		1	VV	Ophthalmoscope, wall hung
F0340		1	VV	Stool, examining, adjustable
F3010 or F3025		1	VV	Bulletin board, 30" x 42" (750 mm x 1050 mm) Note: F3010 is 48" x 48" (1200 mm x 1200 mm) and F3025 is wood frame.
A5106		1	VV	Sharps container
A5106		1	VV	Glove dispenser
M3070		1	VV	Hamper, soiled linen
M3150		AR	VV	Automated storage/dispensing unit (cell), secure; approx. 27" W x 25" D x 78" H (675 mm W x 635 mm D x 1950 mm H)



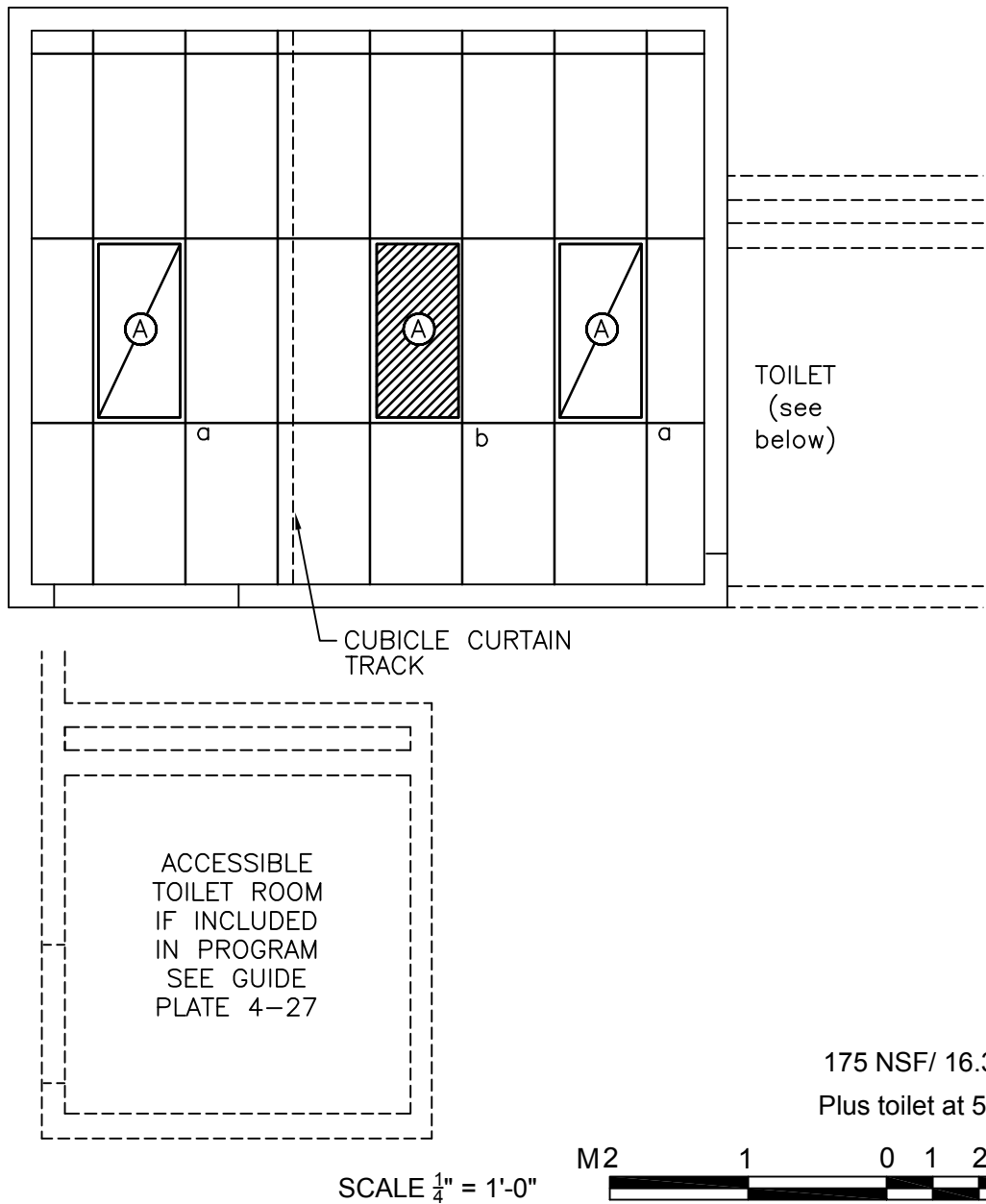
GI Clinic: Gastric (Esophageal) Motility Procedure Room (TREE1)

Floor Plan



NOTE: Guide plates are graphical representations of selected room types, illustrating the integration of space, components, systems, and equipment. They provide typical configurations and general technical guidance, and are not intended to be project specific. Specific infrastructure design requirements are contained in VA Design Manuals and Space Planning Criteria located in the VA Technical Information Library.

GI Clinic: Gastric (Esophageal) Motility Procedure Room (TREE1) Reflected Ceiling Plan



NOTE: Guide plates are graphical representations of selected room types, illustrating the integration of space, components, systems, and equipment. They provide typical configurations and general technical guidance, and are not intended to be project specific. Specific infrastructure design requirements are contained in VA Design Manuals and Space Planning Criteria located in the VA Technical Information Library.

GI Clinic: Gastric (Esophageal) Motility Procedure Room (TREE1)

Design Standards

ARCHITECTURAL

Ceiling:	AT
Ceiling Height:	9'-0" (2700 mm)
Wall Finish:	GWB-P
Wainscot:	CT 48" (1200 mm) in Toilet Room
Base:	RSF 6" (150 mm) integral cove CT in Toilet Room
Floor Finish:	RSF CT in Toilet Room
Slab Depression:	--
Notes:	--

SPECIAL EQUIPMENT

	--
--	----

LIGHTING

General:	--
Special:	--
Notes:	<ol style="list-style-type: none"> 1) 2' x 4' (600 mm x 1200 mm) recessed fluorescent light fixture, acrylic prismatic lens, w/ F32T8 lamps, 3500°K, CRI=70 (minimum). 2) The foot-candle level is average maintained. 3) Provide ballasts per fixture for desired switching configuration. To provide a uniform lighting level, switch inner lamp(s) on first switch and outer lamps on second switch. 4) Exact quantity, location, and lamping of light fixtures shall be chosen to meet the foot-candle requirement.

POWER

General:	As Shown
Emergency:	As Shown
Notes:	<ol style="list-style-type: none"> 1) Medic cart; x-ray illuminator, exam and treatment table shall be on emergency power. 2) Provide dedicated receptacle circuit for exam table. 3) Coordinate location and height of work station receptacles with modular furniture. 4) Exam table may be wall outlet connected.

COMMUNICATION/SPECIAL SYSTEMS

Data:	Yes
Telephone:	Yes
Intercom:	--
Nurse Call:	--
Public Address:	--
Radio/Entertainment:	--
MATV:	--
CCTV:	--
MID:	--
Security/Duress:	Yes
VTEL:	--
VA Satellite TV:	--
Notes:	1) Coordinate location and height of work station telephone/data outlets with modular furniture.

HEATING, VENTILATING AND AIR CONDITIONING

Inside Design Conditions:	70°F (21°C) to 75°F (24°C) Dry-Bulb Temperature
	30 Percent to 50 Percent Relative Humidity
Minimum Air Changes per Hour:	8
100% Exhaust:	Yes, from Procedure Room and Toilet
100% Outside Air:	No
Room Air Balance:	Negative (-)
Dedicated Exhaust System:	No
Occupancy:	3
AC Load-(Equipment):	As Required
AC Load-(Light):	As Required
Notes:	1) Year around conditions.

PLUMBING AND MEDICAL GASES

Cold Water:	Yes
Hot Water:	Yes
Laboratory Air:	--
Laboratory Vacuum:	--
Sanitary Drain:	Yes
Reagent Grade Water:	--
Medical Air:	--
Medical Vacuum:	Yes
Oxygen:	Yes
Notes:	--

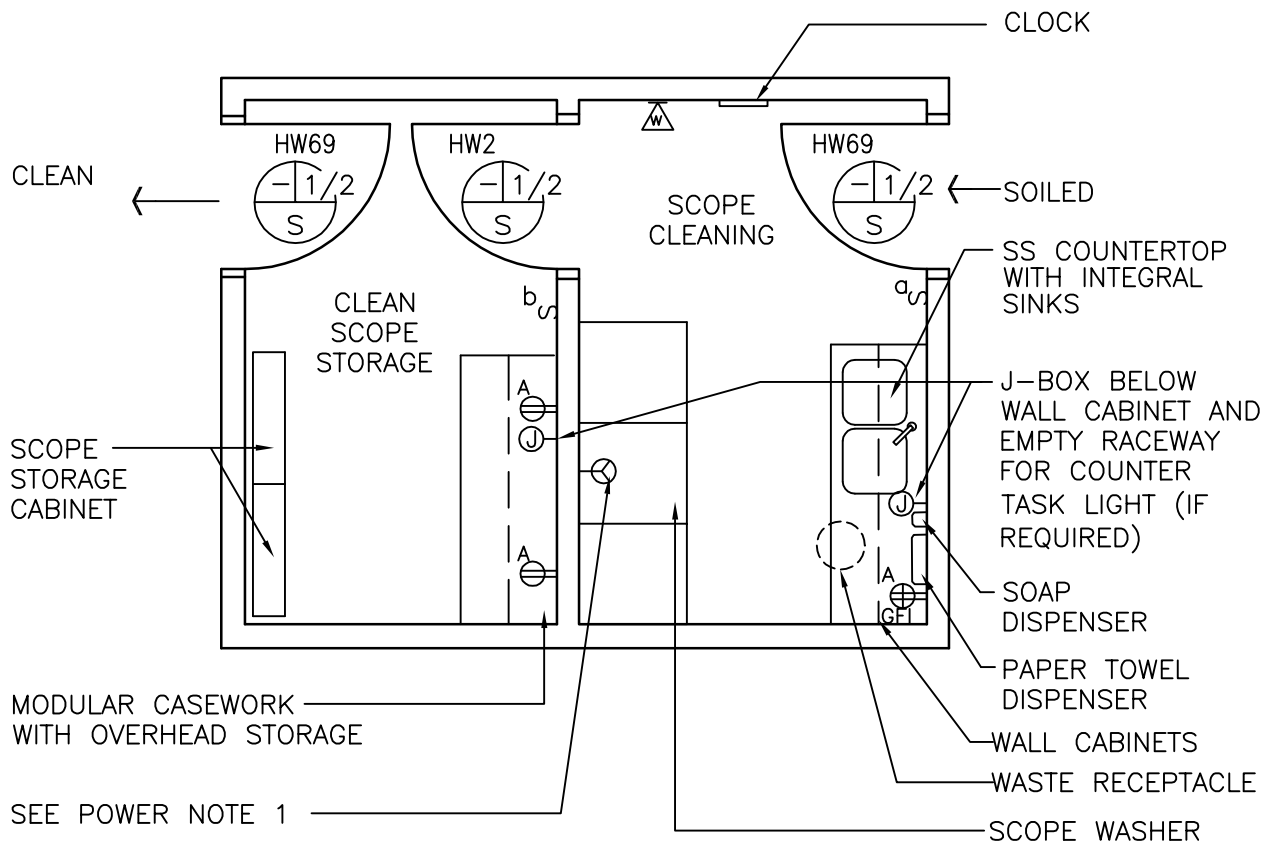
GI Clinic: Gastric (Esophageal) Motility Procedure Room (TREE1)

Equipment List

JSN	SYMBOL	QTY	AI	DESCRIPTION
P3100	P-418	1	CC	Lavatory, sensor control (PG-18-1, MCS 22 40 00)
A1010		1	CC	Outlet, telephone/data, wall mounted (PG-18-1, MCS 27 15 00)
		AR	CC	Receptacle, electrical, duplex (PG-18-1; MCS 26 27 26)
		1	CC	Receptacle, electrical, quadruplex, for computer equipment items (PG-18-1; MCS 26 27 26)
A5180		AR	CC	Track, curtain, cubicle, ceiling type, surface mounted (PG-18-1, MCS 10 21 23)
		1	CC	Outlet, oxygen, wall mounted (PG-18-1, MCS 22 63 00)
		1	CC	Outlet, medical vacuum, wall mounted (P-18-1, MCS 22 62 00)
		1	CC	Alarm button, security/duress (PG-18-1, MCS 27 52 31)
M3085		1	VV	Cabinet, instrument and treatment, 36" W x 16" D x 78" H (900 mm W x 400 mm D x 1950 mm H)
E0957		1	VV	Cart, medication, with IV pole
M8830		AR	VV	Cart, mobile, instrument, 36" x 20" (900 mm x 500 mm)
F0210		AR	VV	Chair, straight, without arms
F3200		1	VV	Clock, atomic, battery operated
M1801		1	VV	PC, computer system, with keyboard
E0210		1	VV	Modular work station with under counter keyboard tray, overhead storage, and wall hanger strips.
A5080		1	VV	Dispenser, paper towel, surface mounted
A5075		1	VV	Dispenser, soap, liquid, wall mounted
M3070		AR	VV	Hamper, soiled linen, with hinged self closing top 20" (500 mm) diameter
A5145		AR	VV	Hook, coat, wall mounted
X3930		1	VV	Illuminator, x-ray film, 120 volts, wall mounted, individual switch for two, 14" x 17" (350 mm x 425 mm) radiographs, 31" W x 20" H (775 mm W x 500 mm H)
M7401		AR	VV	Light, examining, portable, 120 volts, approx. 18" diameter x 75" H (450 mm diameter x 1875 mm H)
		1	VV	Manometer, esophageal, with recorder
M4200		1	VV	Ophthalmoscope, wall hung
M4200		1	VV	Otoscope, wall hung
F2017		1	VV	Receptacle, waste, step-on type, approx. 12" (300 mm) diameter
M4100		1	VV	Sphygmomanometer, wall hung
F0340		1	VV	Stool, examining, adjustable
M8820		1	VV	Table, instrument, dressing, corrosion resisting steel, 20" W x 36" L x 35" H (500 mm W x 900 mm L x 875 mm H)
M9066		1	VV	Table, examining and treatment, motorized
A5106		1	VV	Sharps container
A5106		1	VV	Glove dispenser
A5180		1	VV	Curtain, cubicle



GI Clinic: Scope Cleaning/ Clean Storage (USCL2)
 Floor Plan



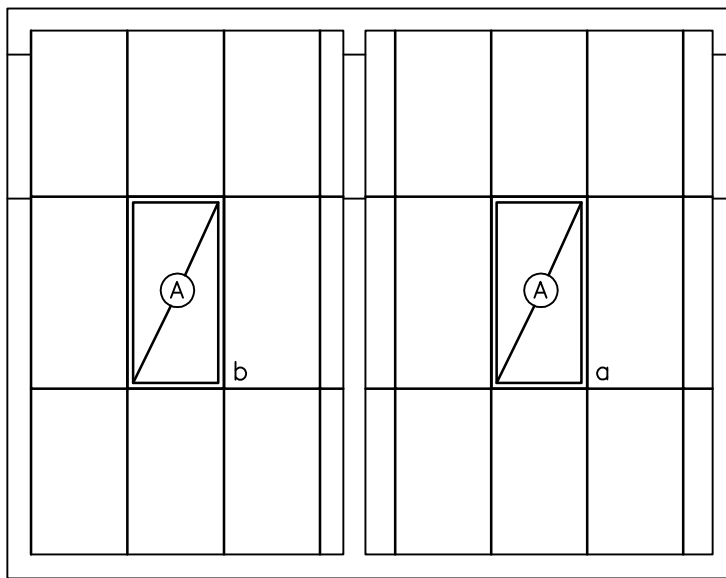
150 NSF/ 14 NSM

SCALE 1/4" = 1'-0"



NOTE: Guide plates are graphical representations of selected room types, illustrating the integration of space, components, systems, and equipment. They provide typical configurations and general technical guidance, and are not intended to be project specific. Specific infrastructure design requirements are contained in VA Design Manuals and Space Planning Criteria located in the VA Technical Information Library.

GI Clinic: Scope Cleaning/ Clean Storage (USCL2)
Reflected Ceiling Plan



150 NSF/ 14 NSM

SCALE $\frac{1}{4}'' = 1'-0''$



NOTE: Guide plates are graphical representations of selected room types, illustrating the integration of space, components, systems, and equipment. They provide typical configurations and general technical guidance, and are not intended to be project specific. Specific infrastructure design requirements are contained in VA Design Manuals and Space Planning Criteria located in the VA Technical Information Library.

GI Clinic: Scope Cleaning/Clean Storage (USCL2)

Design Standards

ARCHITECTURAL

Ceiling:	AT (SP)
Ceiling Height:	9'-0" (2700 mm)
Wall Finish:	GWB (SC)
Wainscot:	--
Base:	RSF 6" (150 mm) Integral Cove
Floor Finish:	RSF
Slab Depression:	--
Sound Protection:	--
Notes:	--

SPECIAL EQUIPMENT

	--
--	----

LIGHTING

General:	--
Special:	--
Notes:	<ol style="list-style-type: none"> 1) 2' x 4' (600 mm x 1200 mm) recessed fluorescent fixture with acrylic prismatic lens w/ T8 lamps, 3500°K, CRI=70 (minimum). 2) The foot-candle level is average maintained. 3) Provide ballasts per fixture for desired switching configuration. To provide a uniform lighting level, switch inner lamp(s) on first switch and outer lamps on second switch. 4) Exact quantity, location, and lamping of light fixtures shall be chosen to meet the foot-candle requirement.

POWER

General:	As Shown
Emergency:	As Shown
Notes:	<ol style="list-style-type: none"> 1) Special wiring device for scope washer. Coordinate with manufacturer.

COMMUNICATION/SPECIAL SYSTEMS

Data:	--
Telephone:	Yes
Intercom:	--
Nurse Call:	--
Public Address:	--
Radio/Entertainment:	--
MATV:	--
CCTV:	--
MID:	--
Security/Duress:	--
VTEL:	--
VA Satellite TV:	--
Notes:	--

HEATING, VENTILATING AND AIR CONDITIONING

Inside Design Conditions:	70°F (21°C) to 75°F (24°C) Dry-Bulb Temperature
	30 Percent to 50 Percent Relative Humidity
Minimum Air Changes per Hour:	6 (Each Space)
100% Exhaust:	Yes
100% Outside Air:	No
Room Air Balance:	Negative (-) Scope Cleaning Positive (+) Clean Storage
Dedicated Exhaust System:	No
Occupancy:	2
AC Load (Equipment):	As Required
AC Load-(Light):	As Required
Notes:	--

PLUMBING AND MEDICAL GASES

Cold Water:	Yes
Hot Water:	Yes
Laboratory Air:	--
Laboratory Vacuum:	--
Sanitary Drain:	Yes
Reagent grade Water:	--
Medical Air:	--
Medical Vacuum:	--
Oxygen:	--
Notes:	--

GI Clinic: Scope Cleaning/Clean Storage (USCL2)

Equipment List

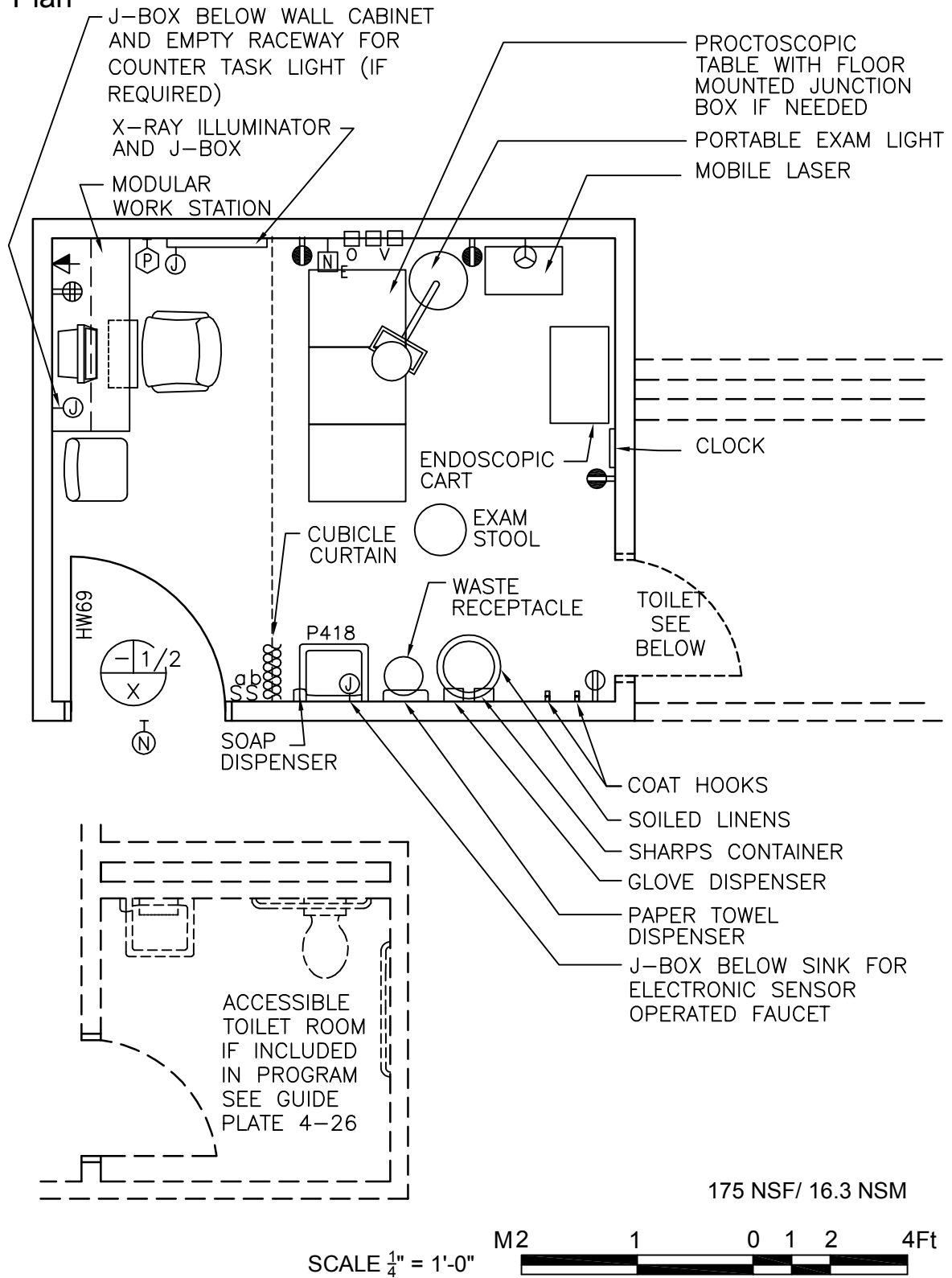
SCOPE CLEANING				
JSN	SYMBOL	QTY	AI	DESCRIPTION
CT030		AR	CC	Modular casework base and wall cabinets with plastic laminate top (PG-18-1, MCS 12 32 00 and 12 36 00)
CS230		1	CC	Sink, double bowl, self rimming, CRS (PG-18-1, MCS 12 36 00)
		1	CC	Power supply receptacle, scope washer (PG-18-1, MCS 26 27 26)
A1010		1	CC	Outlet, telephone, wall mounted (PG-18-1, MCS 27 15 00)
		AR	CC	Receptacle, electrical, duplex, with ground fault interrupter (PG-18-1, MCS 26 27 26)
F3200		1	VV	Clock, atomic, battery operated
A5080		1	VV	Dispenser, paper towel, surface mounted
A5075		1	VV	Dispenser, soap, liquid, wall mounted
F2017		1	VV	Receptacle waste, step on type, approx. 12" (300 mm) diameter
S2627		AR	VV	Washer, scope

CLEAN STORAGE				
JSN	SYMBOL	QTY	AI	DESCRIPTION
CT030		AR	CC	Modular casework with overhead storage and wall hanger strips (PG-18-1, MCS 12 34 00)
		AR	CC	Receptacle, electrical, duplex (PG-18-1, MCS 26 27 26)
E0918		AR	VV	Cabinet, scope storage



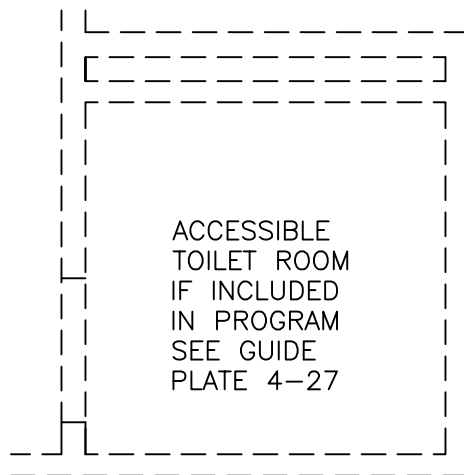
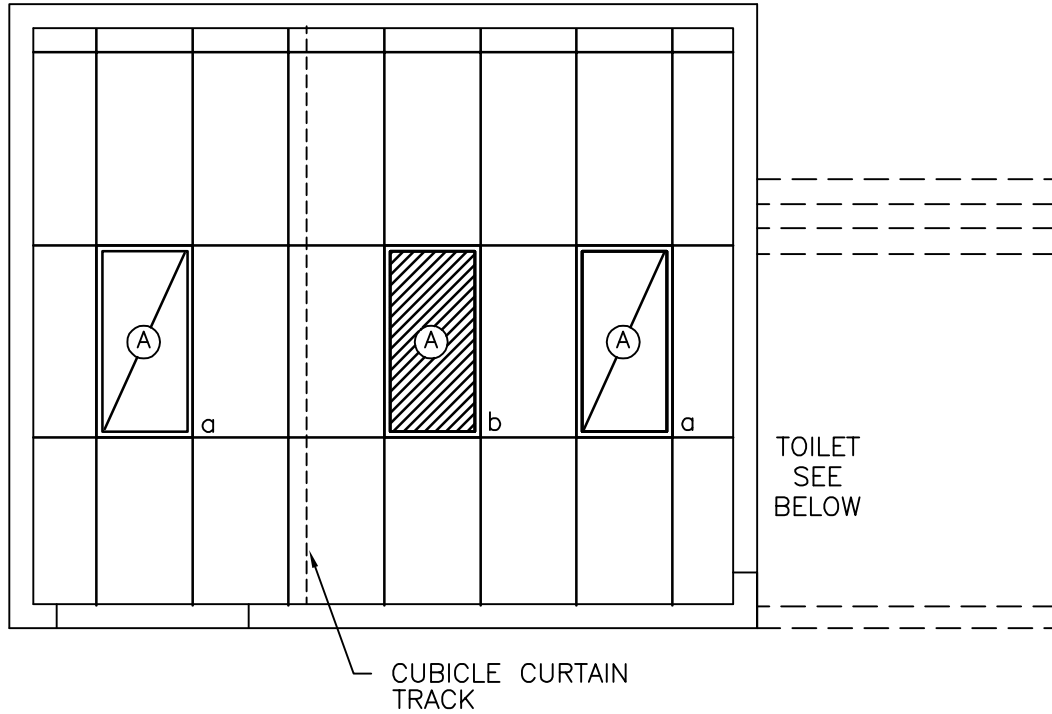
GI: Screening Proctoscopy/ Sigmoidoscopy Room (TRPE1)

Floor Plan



NOTE: Guide plates are graphical representations of selected room types, illustrating the integration of space, components, systems, and equipment. They provide typical configurations and general technical guidance, and are not intended to be project specific. Specific infrastructure design requirements are contained in VA Design Manuals and Space Planning Criteria located in the VA Technical Information Library.

GI: Screening Proctoscopy/ Sigmoidoscopy Room (TRPE1) Reflected Ceiling Plan



175 NSF/ 16.3 NSM

SCALE 1/4" = 1'-0"



NOTE: Guide plates are graphical representations of selected room types, illustrating the integration of space, components, systems, and equipment. They provide typical configurations and general technical guidance, and are not intended to be project specific. Specific infrastructure design requirements are contained in VA Design Manuals and Space Planning Criteria located in the VA Technical Information Library.

GI: Screening Proctoscopy/Sigmoidoscopy Room (TRPE1)

Design Standards

ARCHITECTURAL

Ceiling: AT (SP); AT Toilet Room
 Ceiling Height: 9'-0" (2700 mm)
 Wall Finish: GWB-SC
 Wainscot: CT 48" (1200 mm) in Toilet Room
 Base: RSF 6" (150 mm) Integral base
 Floor Finish: RSF; CT in Toilet Room
 Slab Depression: --
 Notes: --

SPECIAL EQUIPMENT

LIGHTING

General: --
 Special: --
 Notes: 1) 2' x 4' (600 mm x 1200 mm) recessed fluorescent light fixture, acrylic prismatic lens, w/ F32T8 lamps, 3500°K, CRI=70 (minimum).
 2) The foot-candle level is average maintained.
 3) Provide ballasts per fixture for desired switching configuration. To provide a uniform lighting level, switch inner lamp(s) on first switch and outer lamps on second switch.
 4) Exact quantity, location, and lamping of light fixtures shall be chosen to meet the foot-candle requirement.
 5) Fluorescent nurse call light.

POWER

General: As Shown
 Emergency: As Shown
 Notes: 1) Special receptacle for laser equipment. (Coordinate with supplier.)
 2) Items on emergency power include selected receptacles, x-ray illumination, laser, general lighting.
 3) Coordinate location and height of work station receptacles with modular furniture.
 4) Exam table may be wall outlet connected.

COMMUNICATION/SPECIAL SYSTEMS

Data: Yes
 Telephone: Yes
 Intercom: --
 Nurse Call: Yes
 Public Address: --
 Radio/Entertainment: --
 MATV: --
 CCTV: --
 MID: --
 Security/Duress: Yes
 VTEL: --
 VA Satellite TV: --
 Notes: 1) Coordinate location and height of work station telephone/data outlets with modular furniture.

HEATING, VENTILATING AND AIR CONDITIONING

Inside Design Conditions: 70°F (21°C) to 75°F (24°C) Dry-Bulb Temperature
 30 Percent to 50 Percent Relative Humidity
 Minimum Air Changes per Hour: 8 - Room
 10 - Toilet
 100% Exhaust: Yes
 100% Outside Air: Only if the AHU is 100% OA
 Room Air Balance: Negative (-)
 Dedicated Exhaust System: No
 Occupancy: 4
 AC Load (Equipment): As Required
 AC Load-(Light): As Required
 Notes: 1) Year around conditions.

PLUMBING AND MEDICAL GASES

Cold Water: Yes
 Hot Water: Yes
 Laboratory Air: --
 Laboratory Vacuum: --
 Sanitary Drain: Yes
 Reagent Grade Water: --
 Medical Air: --
 Medical Vacuum: Yes
 Oxygen: Yes
 Notes: 1) Chilled water may be required for laser equipment. (Coordinate with equipment supplier.)

GI: Screening Proctoscopy/Sigmoidoscopy Room (TRPE1)

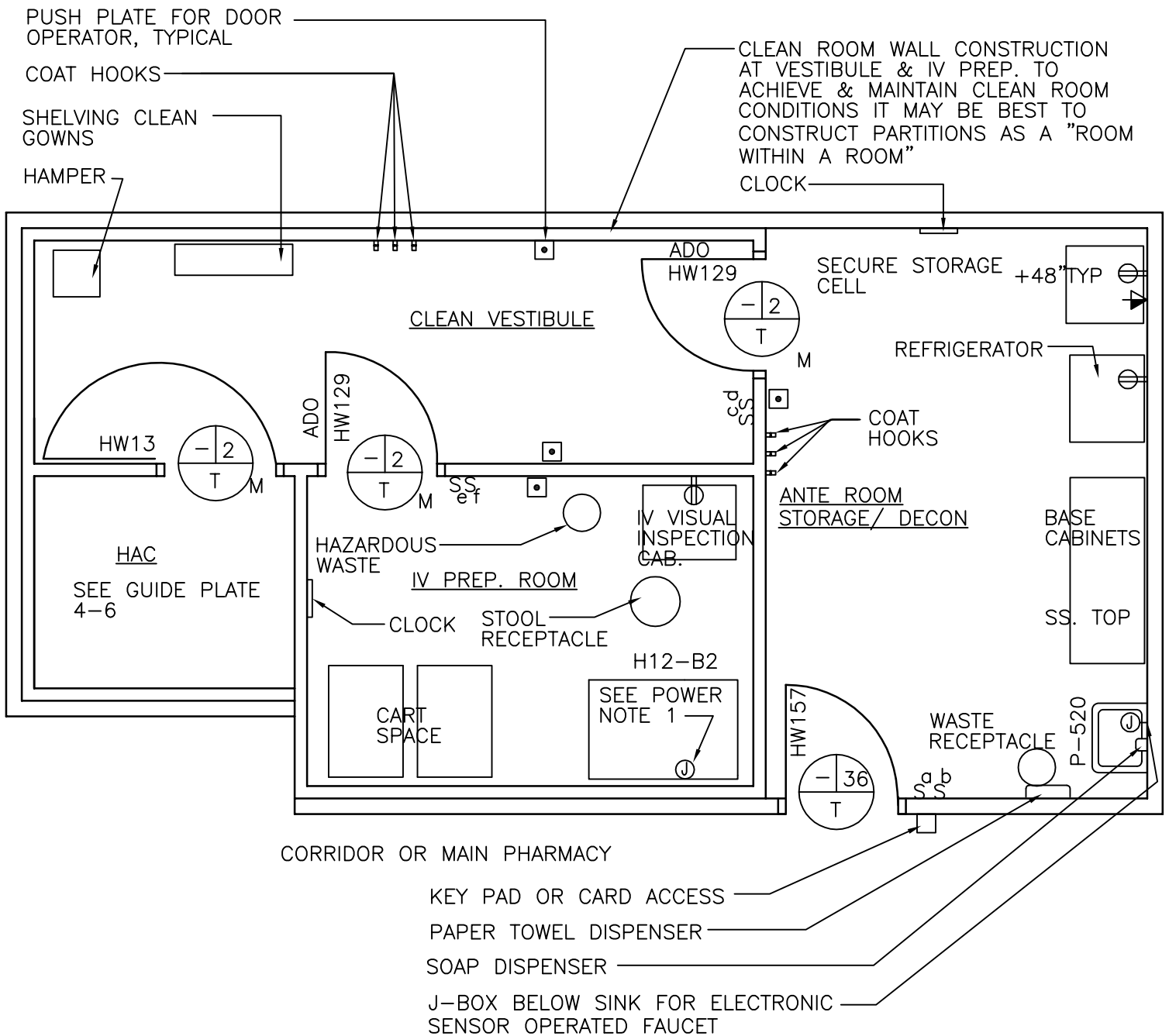
Equipment List

JSN	SYMBOL	QTY	AI	DESCRIPTION
P3100	P-418	1	CC	Lavatory, sensor control (PG-18-1, MCS 22 40 00)
A1010		1	CC	Outlet, telephone/data, wall mounted (PG-18-1, MCS 27 15 00)
		AR	CC	Outlet, oxygen, wall mounted (PG-18-1, MCS 22 63 00)
		AR	CC	Outlet, medical vacuum, wall mounted (PG-18-1, MCS 22 62 00)
		AR	CC	Receptacle, electrical, duplex (PG-18-1, MCS 26 27 26)
		1	CC	Receptacle, electrical, quadruplex (PG-18-1, MCS 26 27 26)
A5180		1	CC	Track, curtain, cubicle, ceiling type, surface mounted (PG-18-1, MCS 10 21 23)
		1	CC	Alarm button, security/duress (PG-18-1, MCS 27 52 31)
		1	CC	Nurse call, emergency station, with pull cord and corridor light (PG-18-1, MCS 27 52 23)
M8605		AR	VV	Cart, endoscopic
F0205		1	VV	Chair, rotary, with arms
F0210		AR	VV	Chair, straight, without arms
F3200		1	VV	Clock, atomic, battery operated
A5180		1	VV	Curtain, cubicle
M1801		1	VV	Desktop PC with keyboard
E0210		1	VV	Modular work station with under counter keyboard tray, overhead storage, and wall hanger strips.
A5080		1	VV	Dispenser, paper towel, surface mounted
A5075		1	VV	Dispenser, soap, liquid, wall mounted
M3185		1	VV	Electro-cauterizing unit, mobile, approx. 21" W x 24 " D (525 mm W x 600 mm D)
M3070		1	VV	Hamper, soiled linen, with hinged self closing top, 20" (500 mm) diameter
A5154		AR	VV	Hook, coat, wall mounted
X3930		1	VV	Illuminator, x-ray film, 120 volts, wall mounted, individual switch for two, 14" x 17" (350 mm x 425 mm) radiographs, 31" W x 20 " H (775 mm W x 500 mm H)
M8525		1	VV	Laser, CO2, mobile
M7401		AR	VV	Light, examining, portable, 120 volts, approx. 18" diameter x 75" H (450 mm diameter x 1875 mm H)
F2017		1	VV	Receptacle, waste, step on type, approx. 12" (300 mm) diameter
F0340		1	VV	Stool, examining, adjustable
M9065		1	VV	Table, proctoscopic, adjustable, hydraulically operated
A5106		1	VV	Sharps container, wall mounted
A5106		1	VV	Glove dispenser, wall mounted



Oncology: Chemotherapy Agent Preparation Area (OPCT2)

Floor Plan

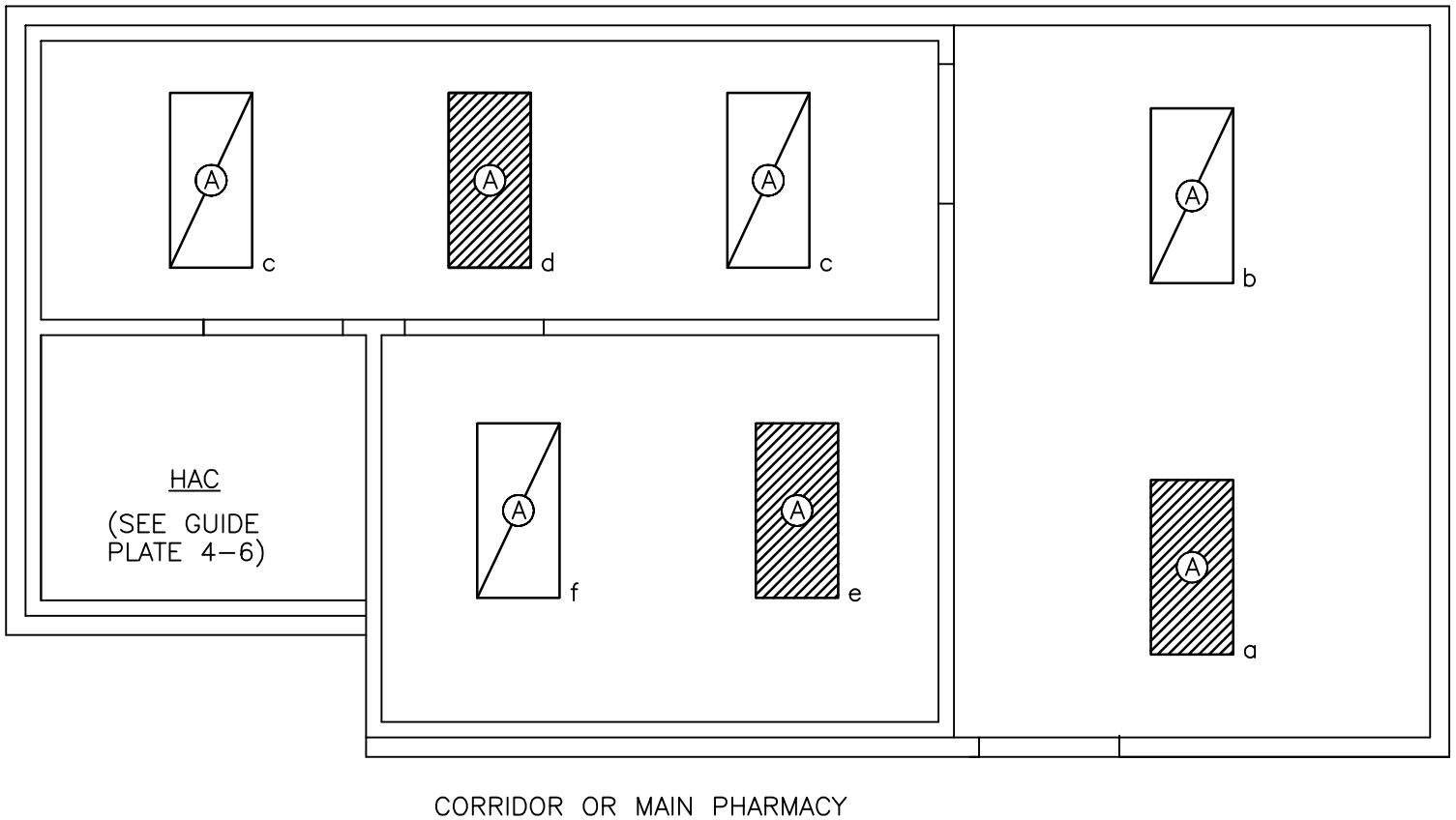


- ** IV PREP ROOM (HAZARDOUS CLEAN ROOM) 195 NSF**/ 18.1 NSM**
- ANTE ROOM & STORAGE/ DECON 100 NSF / 9.3 NSM (PHIV3)
- HAC 95 NSF/ 8.8 NSM (XXYYZ+ PHBS2)
- 40 NSF/ 3.7 NSM (HAC)



NOTE: Guide plates are graphical representations of selected room types, illustrating the integration of space, components, systems, and equipment. They provide typical configurations and general technical guidance, and are not intended to be project specific. Specific infrastructure design requirements are contained in VA Design Manuals and Space Planning Criteria located in the VA Technical Information Library.

Oncology: Chemotherapy Agent Preparation Area (OPCT2)
Reflected Ceiling Plan



195 NSF/ 18.1 NSM

SCALE 1/4" = 1'-0"



NOTE: Guide plates are graphical representations of selected room types, illustrating the integration of space, components, systems, and equipment. They provide typical configurations and general technical guidance, and are not intended to be project specific. Specific infrastructure design requirements are contained in VA Design Manuals and Space Planning Criteria located in the VA Technical Information Library.

Oncology: Chemotherapy Agent Preparation Area (OPCT2)

Design Standards

NOTE: Prep Room must meet USP 797 standards for use as a "hazardous clean room." Separate Ante Room and Vestibule are required to meet criteria for air balance (pressurization) and storage of hazardous drugs.

ARCHITECTURAL

ANTE ROOM

Ceiling:	GWB-SC
Ceiling Height:	9'-0" (2700 mm)
Wall Finish:	GWB-SC
Wainscot:	--
Base:	WSF, 6" (150 mm) Integral Cove
Floor Finish:	WSF

VESTIBULE & PREP ROOM

Ceiling:	GWB-SC
Ceiling Height:	9'-0" (2700 mm)
Wall Finish:	Note 1
Wainscot:	--
Base:	WSF, 6" (150 mm) Integral Cove
Floor Finish:	WSF

- Notes: 1) Provide Clean Room (ISO 7) wall construction: non-dusting (no GWB or cement backer board), smooth and cleanable, resistant to isopropyl alcohol and disinfectants; and impact resistant. Acceptable materials include: glass fiber reinforced panels (FRP), epoxy coated aluminum wall panels, laminate faced panels, and solid surface (acrylic) panels.
- 2) Use epoxy coatings (SC) on metal doors and frames to resist cleaning agents. Provide automatic door operators on Vestibule and Prep Room doors.
- 3) Comply with PG 18-3, Design and Construction Procedures, Topic 14 Security for Pharmacy storage/manufacturing areas.

LIGHTING

- General: --
- Notes: 1) 2' x 4' (600 mm x 1200 mm) recessed fluorescent light fixture with acrylic prismatic lens. F32T8 lamps, 3500°K, CRI=70 (minimum).
- 2) Fixtures shall be suitable for use in contamination-controlled ISO 7 environment.
- 3) The foot-candle level is average maintained.
- 4) Provide ballasts per fixture for desired switching configuration. To provide a uniform lighting level, switch inner lamp(s) on first switch and outer lamps on second switch.
- 5) Exact quantity, location, and lamping of light fixtures shall be chosen to meet the foot-candle requirement.

POWER

- General: --
- Emergency: As Shown
- Notes: 1) Junction box/wiring device for biological safety cabinet. Connection and mounting height requirements per manufacturer.

COMMUNICATION/SPECIAL SYSTEMS

Data:	Yes
Telephone:	Yes
Intercom:	--
Nurse Call:	--
Public Address:	--
Radio/Entertainment:	--
MATV:	--
CCTV:	--
MID:	--
Security/Duress:	--
VTEL:	--
VA Satellite TV:	--



Oncology: Chemotherapy Agent Preparation Area (OPCT2)- Cont'd

Design Standards

**HEATING, VENTILATING AND AIR
CONDITIONING**

See HVAC Design Manual for additional requirements.

ANTE ROOM

Inside Design Conditions: Cooling: 68°F (20°C)
 Dry-Bulb Temperature (maximum)
 55 Percent Relative Humidity
 Heating: 68°F (20°C)
 Dry-Bulb Temperature (minimum)
 40 Percent Relative Humidity

Minimum Air Changes per Hour: 30
 100% Exhaust: Yes
 100% Outside Air: Yes
 Room Air Balance: Positive (+)
 Dedicated Exhaust System: Yes
 Occupancy: 2
 AC Load-(Equipment): As Required
 AC Load-(Light): As Required

VESTIBULE & PREP ROOM

Inside Design Conditions: Cooling: 68°F (20°C)
 Dry-Bulb Temperature (maximum)
 55 Percent Relative Humidity
 Heating: 68°F (20°C)
 Dry-Bulb Temperature (minimum)
 40 Percent Relative Humidity

Minimum Air Changes per Hour: 30
 100% Exhaust: Yes
 100% Outside Air: Yes
 Room Air Balance: Vestibule: Positive (+)
 Prep Room: Negative (-)
 Dedicated Exhaust System: Yes
 Occupancy: 2
 AC Load-(Equipment): As Required
 AC Load-(Light): As Required

PLUMBING AND MEDICAL GASES

Cold Water: Yes
 Hot Water: Yes
 Laboratory Air: --
 Laboratory Vacuum: --
 Sanitary Drain: Yes
 Reagent Grade Water: --
 Medical Air: --
 Medical Vacuum: --
 Oxygen: --



Oncology: Chemotherapy Agent Preparation Area (OPCT2)

Equipment List

IV PREP ROOM				
JSN	SYMBOL	QTY	AI	DESCRIPTION
L2336	H12-B2	1	CC	Biological safety cabinet H12B2-48 (laminar flow), Class II; Type B-2, 100% direct exhausted air through the work-space. 48" W x 38" D x 72" H (1200 mm W x 950 mm D x 1800 mm H) (PG-18-1, PG-18-6; MCS 11 53 53)
		AR	CC	Junction box, wall, 120V power for equipment (PG-18-1, MCS 26 27 26)
		AR	CC	Receptacle, electrical, duplex (PG-18-1, MCS 26 27 26)
		1	VV	Cabinet, intravenous (IV), visual clarity inspection, 30" W x 24" D (750 mm W x 600 mm D), 120 volts
M2055		AR	VV	Cart, exchange, CRS wire
F0340		AR	VV	Stool, rotary
F3200		1	VV	Clock, atomic, battery operated
M3072		AR	VV	Receptacle, hazardous waste, approx. 12" (300 mm) diameter

VESTIBULE				
JSN	SYMBOL	QTY	AI	DESCRIPTION
A5145		AR	VV	Hook, coat, wall mounted
M2055		AR	VV	Shelving, open for clean gowns and supplies
M3070		1	VV	Hamper, soiled linen, approx. 20" (500 mm)

ANTE ROOM				
JSN	SYMBOL	QTY	AI	DESCRIPTION
C03G0 & CT050		AR	CC	Base cabinets, stainless steel (PG-18-1, MCS 12 31 00); with stainless steel top and backsplash (PG-18-1, MCS 12 36 00)
A1010		1	CC	Outlet, telephone/data, wall mounted (PG-18-1, MCS 27 15 00)
		AR	CC	Receptacle, electrical, duplex (PG-18-1, MCS 26 27 26)
P6980	P-520	1	CC	Sink, surgeon's scrub-up, sensor control, approx. 28" x 22" (700 mm x 550 mm), 12" (300 mm) deep (PG-18-1, MCS 22 40 00)
		AR	CC	Card key access (PG-18-1, MCS 28 13 16)
R6060		1	VV	Refrigerator, biological, reach-in, with hinged glass doors, 30" W x 33" D x 81" H (750 mm W x 825 mm D x 2025 mm H)
F3200		1	VV	Clock, atomic, battery operated
A5080		1	VV	Dispenser, paper towel, surface mounted
A5075		1	VV	Dispenser, soap, liquid, wall mounted
F2017		AR	VV	Receptacle, waste, step-on type, approx. 15" (380 mm) diameter
A5145		AR	VV	Hook, coat, wall mounted
M3150		AR	VV	Automated storage/dispensing unit (cell), secure, approx. 27" W x 25" D x 78" H (675 mm W x 635 mm D x 1950 mm H)

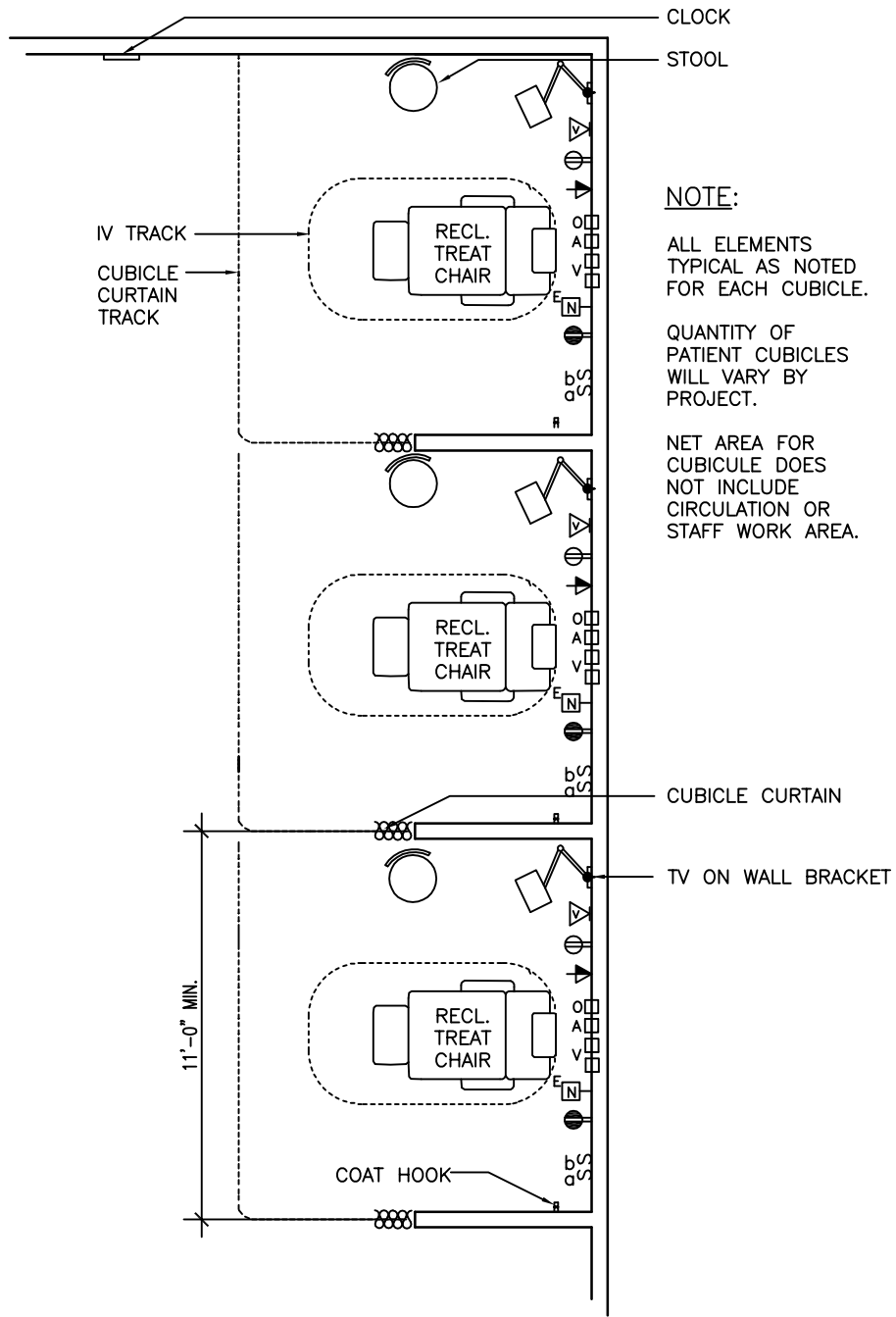


This page intentionally left blank.



Oncology: Chemotherapy Treatment Room (OPCT1)

Floor Plan



NOTE:

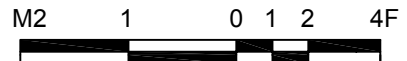
ALL ELEMENTS TYPICAL AS NOTED FOR EACH CUBICLE.

QUANTITY OF PATIENT CUBICLES WILL VARY BY PROJECT.

NET AREA FOR CUBICLE DOES NOT INCLUDE CIRCULATION OR STAFF WORK AREA.

3 Stations: 330 NSF/ 30.7 NSM
Max 8 stations: 830 NSF

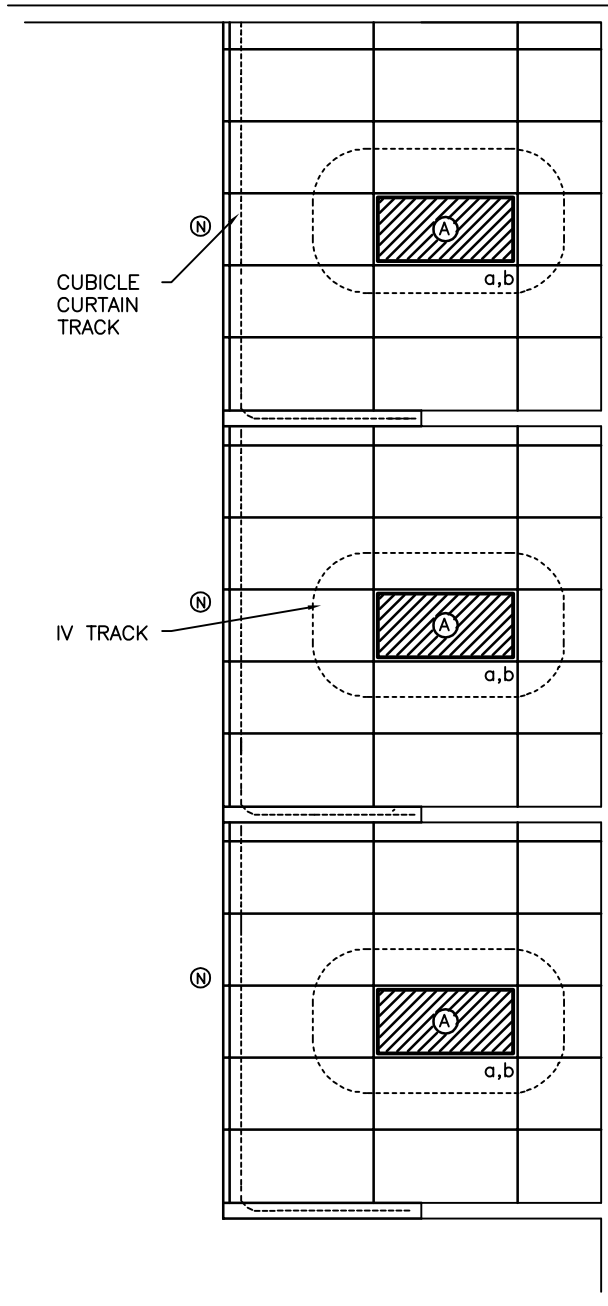
SCALE $\frac{3}{16}'' = 1'-0''$



NOTE: Guide plates are graphical representations of selected room types, illustrating the integration of space, components, systems, and equipment. They provide typical configurations and general technical guidance, and are not intended to be project specific. Specific infrastructure design requirements are contained in VA Design Manuals and Space Planning Criteria located in the VA Technical Information Library.

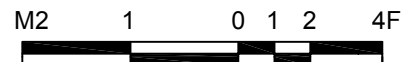
Oncology: Chemotherapy Treatment Room (OPCT1)

Reflected Ceiling Plan



3 Stations: 330 NSF/ 30.7 NSM
Max 8 stations: 830 NSF

SCALE $\frac{3}{16}'' = 1'-0''$



NOTE: Guide plates are graphical representations of selected room types, illustrating the integration of space, components, systems, and equipment. They provide typical configurations and general technical guidance, and are not intended to be project specific. Specific infrastructure design requirements are contained in VA Design Manuals and Space Planning Criteria located in the VA Technical Information Library.

Oncology: Chemotherapy Treatment Room (OPCT1)

Design Standards

ARCHITECTURAL

Ceiling:	AT (SP)
Ceiling Height:	9'-0" (2700 mm)
Wall Finish:	GWB-SC
Wainscot:	--
Base:	RSF
Floor Finish:	RSF
Slab Depression:	--
Sound Protection:	--
Notes:	--

SPECIAL EQUIPMENT

	--
--	----

LIGHTING

General:	--
Special:	--
Notes:	<ol style="list-style-type: none"> 1) 2' x 4' (600 mm x 1200 mm) recessed fluorescent light fixture with acrylic prismatic lens and F32T8 lamps, 3500°K, CRI=70 (minimum). 2) Patient task lighting. 3) The foot-candle level is average maintained. 4) Provide ballasts per fixture for desired switching configuration. To provide a uniform lighting level, switch inner lamp(s) on first switch and outer lamps on second switch. 5) Exact quantity, location, and lamping of light fixtures shall be chosen to meet the foot-candle requirement. 6) Fluorescent nurse call light.

POWER

General:	As Shown
Emergency:	As Shown
Notes:	--

COMMUNICATION/SPECIAL SYSTEMS

Data:	Yes
Telephone:	Yes
Intercom:	--
Nurse Call:	Yes
Public Address:	--
Radio/Entertainment:	--
MATV:	Yes
CCTV:	Yes
MID:	--
Security/Duress:	--
VTEL:	--
VA Satellite TV:	--
Notes:	--

HEATING, VENTILATING AND AIR CONDITIONING

Inside Design Conditions:	70°F (21°C) to 75°F (24°C) Dry-Bulb Temperature
	30 Percent to 50 Percent Relative Humidity
Minimum Air Changes per Hour:	10 - CV
100% Exhaust:	Yes
100% Outside Air:	No
Room Air Balance:	Negative (-)
Dedicated Exhaust System:	No
Occupancy:	8
AC Load-(Equipment):	As Required
AC Load-(Light):	As Required
Notes:	1) Year around conditions.

PLUMBING AND MEDICAL GASES

Cold Water:	Yes
Hot Water:	Yes
Laboratory Air:	--
Laboratory Vacuum:	--
Sanitary Drain:	Yes
Reagent grade Water:	--
Medical Air:	Yes
Medical Vacuum:	Yes
Oxygen:	Yes
Notes:	--



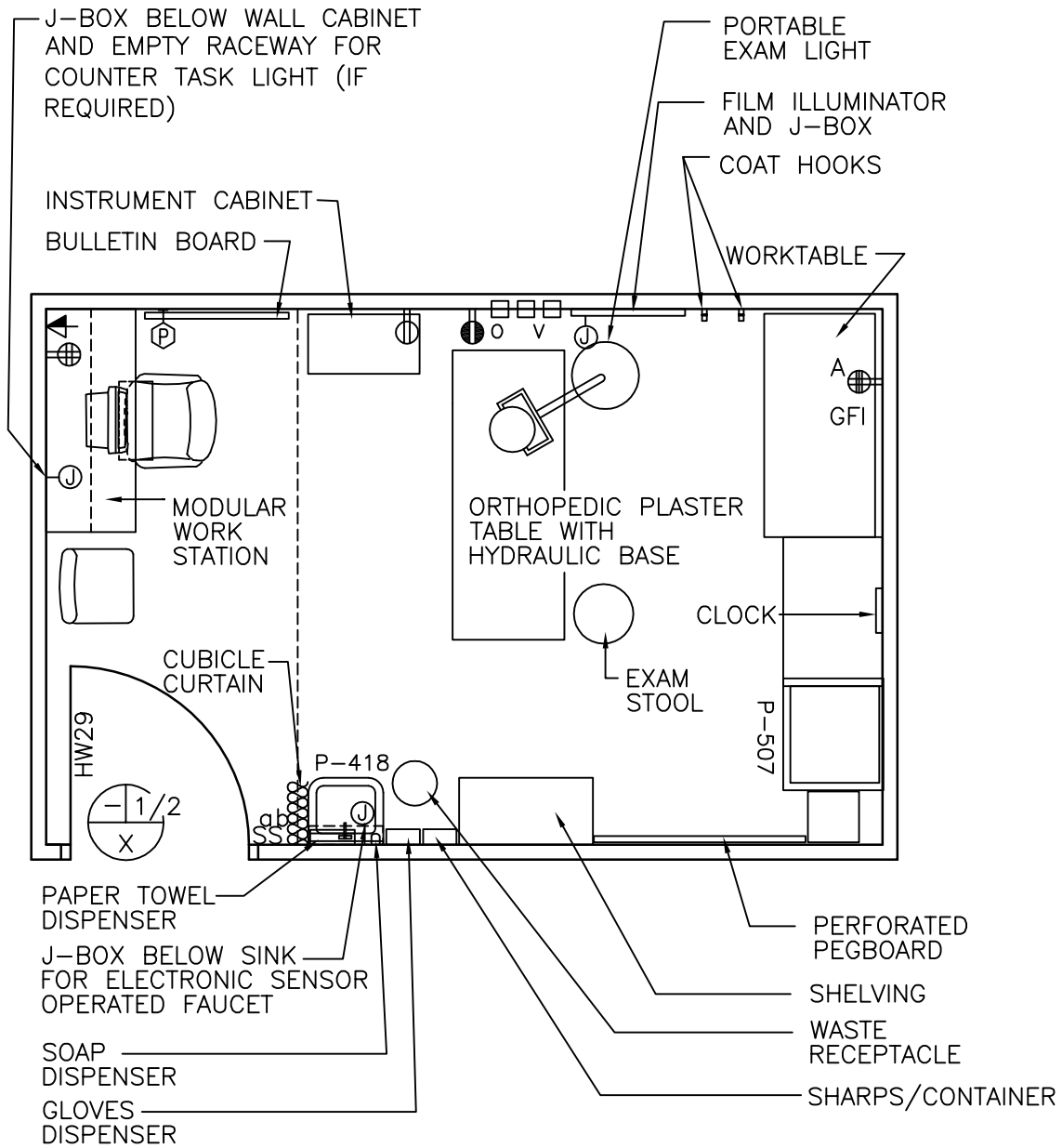
Oncology: Chemotherapy Treatment Room (OPCT1)

Equipment List

JSN	SYMBOL	QTY	AI	DESCRIPTION
A5210 & A5220		AR	CC	Bracket, wall mounted, television receiver (PG-18-1, MCS 27 41 31)
A5180		AR	CC	Track, curtain, cubicle, ceiling type, surface mounted (PG-18-1, MCS 10 21 23)
A1165		AR	CC	Track, intravenous, ceiling mounted, continuous loop track and vertical adjustment (one for each reclining chair or stretcher) (PG-18-1, MCS 10 21 23)
		AR	CC	Outlet, medical air, wall mounted (PG-18-1, MCS 22 63 00)
		AR	CC	Outlet, oxygen, wall mounted (PG-18-1, MCS 22 63 00)
		AR	CC	Outlet, medical vacuum, wall mounted (PG-18-1, MCS 22 62 00)
		AR	CC	Bracket, vacuum bottle, slide (PG-18-1, MCS 22 62 00)
		AR	CC	Receptacle, electrical, duplex (PG-18-1, MCS 26 27 26)
A1010		AR	CC	Outlet, telephone/data (PG-18-1, MCS 27 15 00)
		1	CC	Nurse call, emergency station, with pull cord and corridor signal light (PG-18-1, MCS 27 52 23)
		1	CC	Outlet, video (PG-18-1, MCS 27 41 31)
F0265		AR	VV	Chair, reclining, upholstered, 36" x 38" x 72" (900 mm x 950 mm x 1800 mm) (extended)
F3200		1	VV	Clock, atomic, battery operated
A5145		AR	VV	Hook, coat, wall mounted
M4655		AR	VV	Stretcher, treatment
M0505		AR	VV	Television, color, wall mounted
A5180		AR	VV	Curtain, cubicle
F0340		AR	VV	Stool, adjustable height, with back

Orthopedic Clinic: Cast Room (OPCR1)

Floor Plan



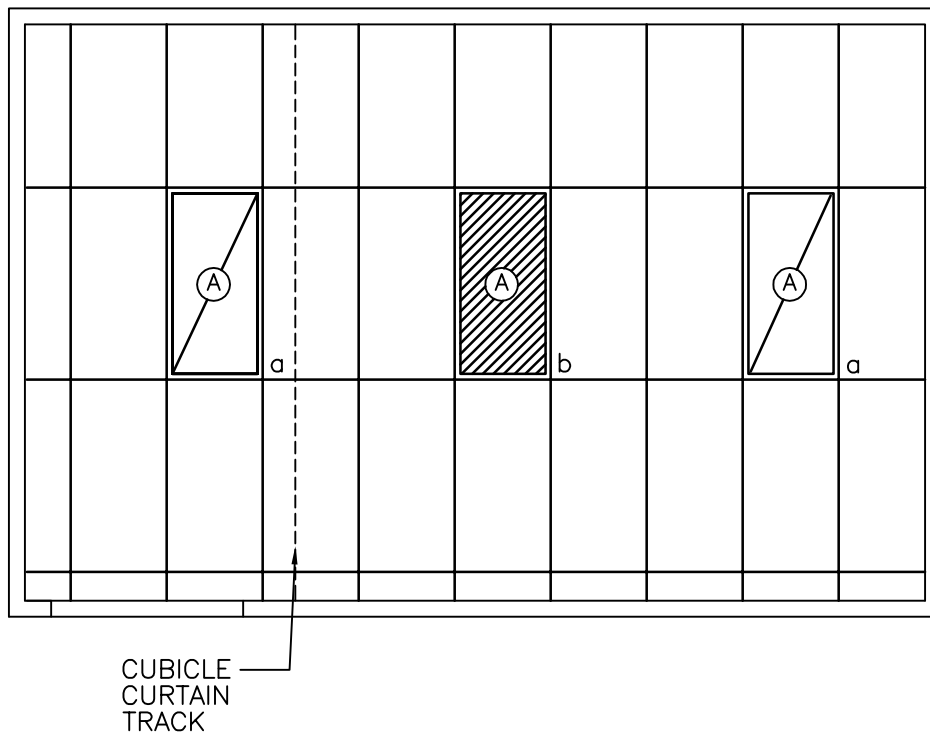
225 NSF/ 20.9 NSM

SCALE 1/4" = 1'-0"



NOTE: Guide plates are graphical representations of selected room types, illustrating the integration of space, components, systems, and equipment. They provide typical configurations and general technical guidance, and are not intended to be project specific. Specific infrastructure design requirements are contained in VA Design Manuals and Space Planning Criteria located in the VA Technical Information Library.

Orthopedic Clinic: Cast Room (OPCR1)
Reflected Ceiling Plan



225 NSF/ 20.9 NSM

SCALE $\frac{1}{4}$ " = 1'-0"



NOTE: Guide plates are graphical representations of selected room types, illustrating the integration of space, components, systems, and equipment. They provide typical configurations and general technical guidance, and are not intended to be project specific. Specific infrastructure design requirements are contained in VA Design Manuals and Space Planning Criteria located in the VA Technical Information Library.

Orthopedic Clinic: Cast Room (OPCR1)

Design Standards

ARCHITECTURAL

Ceiling:	AT
Ceiling Height:	9'-0" (2700 mm)
Wall Finish:	GWB-P/PL-P
Wainscot:	--
Base:	RSF 6" (150 mm) Integral Base
Floor Finish:	RSF
Slab Depression:	--
Notes:	--

SPECIAL EQUIPMENT

LIGHTING

General:	--
Exam:	--
Special:	--
Notes:	<ol style="list-style-type: none"> 1) 2' x 4' (600 mm x 1200 mm) recessed fluorescent light fixture, acrylic prismatic lens, w/ F32T8 lamps, 3500°K, CRI=70 (minimum). 2) The foot-candle level is average maintained. 3) Provide ballasts per fixture for desired switching configuration. To provide a uniform lighting level, switch inner lamp(s) on first switch and outer lamps on second switch. 4) Exact quantity, location, and lamping of light fixtures shall be chosen to meet the foot-candle requirement.

POWER

General:	As Shown
Emergency:	As Shown
Notes:	<ol style="list-style-type: none"> 1) Coordinate location and height of work station receptacles with modular furniture. 2) Exam table may be wall outlet connected.

COMMUNICATION/SPECIAL SYSTEMS

Data:	Yes
Telephone:	Yes
Intercom:	--
Nurse Call:	--
Public Address:	--
Radio/Entertainment:	--
MATV:	--
CCTV:	--
MID:	--
Security/Duress:	Yes
VTEL:	--
VA Satellite TV:	--
Notes:	<ol style="list-style-type: none"> 1) Coordinate location and height of work station telephone/data outlets with modular furniture.

HEATING, VENTILATING AND AIR CONDITIONING

Inside Design Conditions:	70°F (21°C) to 75°F (24°C) Dry-Bulb Temperature
	30 Percent to 50 Percent Relative Humidity
Minimum Air Changes per Hour:	6
100% Exhaust:	No
100% Outside Air:	No
Room Air Balance:	Negative (-)
Dedicated Exhaust System:	No
Occupancy:	4
AC Load (Equipment):	As Required
AC Load-(Light):	As Required
Notes:	<ol style="list-style-type: none"> 1) Designer shall address special exhaust requirements for equipment within Cast Room. 2) Year around conditions.

PLUMBING AND MEDICAL GASES

Cold Water:	Yes
Hot Water:	Yes
Laboratory Air:	--
Laboratory Vacuum:	--
Sanitary Drain:	Yes
Reagent Grade Water:	--
Medical Air:	--
Medical Vacuum:	Yes
Oxygen:	Yes
Notes:	--

Orthopedic Clinic: Cast Room (OPCR1)

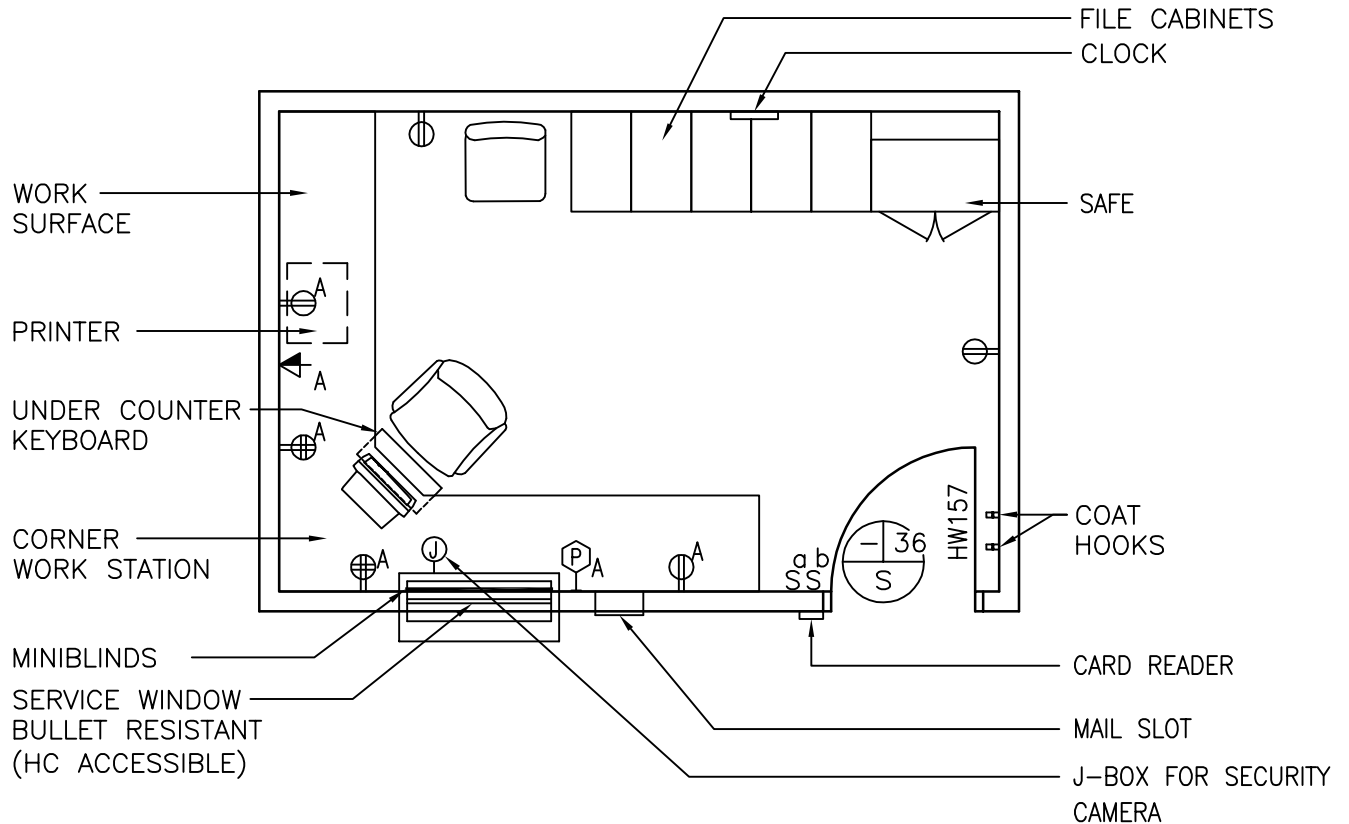
Equipment List

JSN	SYMBOL	QTY	AI	DESCRIPTION
P3100	P-418	1	CC	Lavatory, sensor control (PG-18-1, MCS 22 40 00)
C0052		1	CC	Pegboard, perforated, heavy duty, with hangers, 48" x 96" (1200 mm x 2400 mm) (PG-18-1, MCS 06 20 00)
CS150	P-507	1	CC	Sink, single compartment, CRS drain board without corrugations (PG-18-1, MCS 22 40 00)
A5180		AR	CC	Track, curtain, cubicle, ceiling mounted (PG-18-1, MCS 10 21 23)
		AR	CC	Outlet, oxygen (PG-18-1, MCS 22 63 00)
		AR	CC	Outlet, medical vacuum (PG-18-1, MCS 22 62 00)
		AR	CC	Bracket, vacuum bottle, slide (PG-18-1, MCS 22 62 00)
		AR	CC	Receptacle, electrical, duplex, 120 volt (PG-18-1, MCS 26 27 26)
A1010		1	CC	Outlet, telephone/data (PG-18-1, MCS 27 15 00)
		1	CC	Receptacle, electrical, quadruplex (PG-18-1, MCS 26 27 26) for computer equipment
		1	CC	Receptacle, electrical, quadruplex, ground fault interrupter (PG-18-1, MCS 26 27 26)
		1	CC	Alarm button, security/duress (PG-18-1, MCS 27 52 31)
F3010 or F3025		1	VV	Bulletin board, 48" W x 36" H (1200 mm W x 900 mm H)
M3085		1	VV	Cabinet, instrument and dressing, 30" W x 16" D x 60" H (750 mm W x 400 mm D x 1520 mm H)
F3200		1	VV	Clock, atomic, battery operated
A5080		1	VV	Dispenser, paper towel, surface mounted
A5075		1	VV	Dispenser, soap, liquid, wall mounted
A5145		2	VV	Hook, coat, wall mounted
X3930		AR	VV	Illuminator, x-ray film, 120 volts, wall mounted, individual switch for two, 14" x 17" (350 mm x 425 mm) radiographs, 31" W x 20" H (775 mm W x 500 mm H)
M7420		AR	VV	Light, examining, portable, 120 volts, approx. 18" diameter x 75" H (450 mm diameter x 1875 mm H)
F2017		1	VV	Receptacle, waste, step on type, approx. 12" (300 mm) diameter
M1801		1	VV	PC, computer system, with keyboard
M2055		AR	VV	Shelving, floor standing, steel, 4 or 5 adjustable shelves, 36" W x 18" D x 84" H (900 mm W x 450 mm D x 2100 mm H)
F0340		1	VV	Stool, examining, adjustable
M9075		1	VV	Table, orthopedic, portable plaster table, hydraulic base
K1910		1	VV	Table, work, corrosion resisting steel top, metal frame, 1 drawer and 1 shelf, 60" W x 30" D x 34" H (1520 mm W x 750 mm D x 850 mm H)
A5106		AR	VV	Sharps container, wall mounted
A5106		AR	VV	Glove dispenser, wall mounted
A5180		AR	VV	Curtain, cubicle
E0210		AR	VV	Modular work station with under counter keyboard tray, overhead storage, and wall hanger strips.
F0205		1	VV	Chair, rotary, with arms
F0210		1	VV	Chair, straight, without arms



Disposition: Agent Cashier (CASH1)

Floor Plan



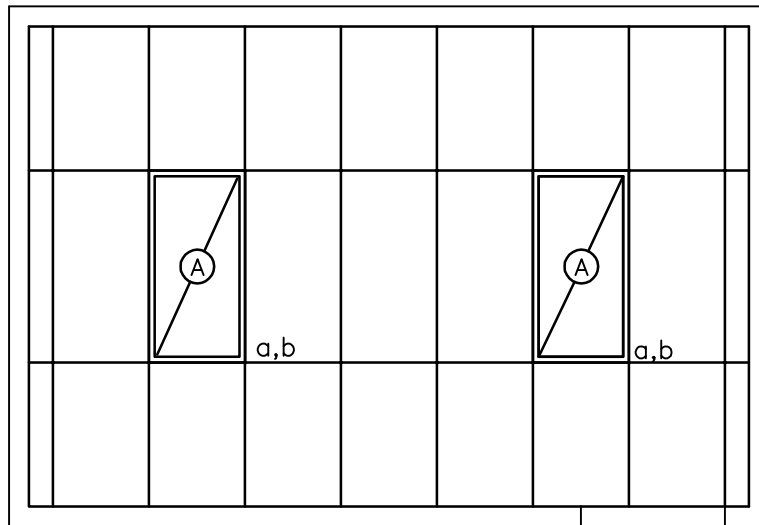
150 NSF/ 13.9 NSM

SCALE 1/4" = 1'-0"



NOTE: Guide plates are graphical representations of selected room types, illustrating the integration of space, components, systems, and equipment. They provide typical configurations and general technical guidance, and are not intended to be project specific. Specific infrastructure design requirements are contained in VA Design Manuals and Space Planning Criteria located in the VA Technical Information Library.

Disposition: Agent Cashier (CASH1)
Reflected Ceiling Plan



150 NSF/ 13.9 NSM

SCALE $\frac{1}{4}'' = 1'-0''$



NOTE: Guide plates are graphical representations of selected room types, illustrating the integration of space, components, systems, and equipment. They provide typical configurations and general technical guidance, and are not intended to be project specific. Specific infrastructure design requirements are contained in VA Design Manuals and Space Planning Criteria located in the VA Technical Information Library.

Disposition: Agent Cashier (CASH1)

Design Standards

ARCHITECTURAL

Ceiling:	AT
Ceiling Height:	9'-0" (2700 mm)
Wall Finish:	GWB-P
Wainscot:	--
Base:	RB
Floor Finish:	CP
Slab Depression:	--
Notes:	1) Refer to PG-18-3, construction procedures, Topic 14 for physical security requirements including wall, door and window construction.

SPECIAL EQUIPMENT

	--
--	----

LIGHTING

General:	--
Special:	--
Notes:	1) 2' x 4' (600 mm x 1200 mm) recessed fluorescent light fixture, parabolic louver, w/ F32T8 lamps, 3500°K, CRI=70 (minimum).
	2) The foot-candle level is average maintained.
	3) Provide ballasts per fixture for desired switching configuration. To provide a uniform lighting level, switch inner lamp(s) on first switch and outer lamps on second switch.
	4) Exact quantity, location, and lamping of light fixtures shall be chosen to meet the foot-candle requirement.

POWER

General:	As Shown
Emergency:	As Shown
Notes:	--

COMMUNICATION/SPECIAL SYSTEMS

Data:	Yes
Telephone:	Yes
Intercom:	--
Nurse Call:	--
Alarm Button:	--
Public Address:	--
Radio/Entertainment:	--
MATV:	Yes
CCTV:	--
MID:	--
Security/Duress:	Yes
VTEL:	--
VA Satellite TV:	--
Notes:	--

HEATING, VENTILATING AND AIR CONDITIONING

Inside Design Conditions:	70°F (21°C) to 75°F (24°C) Dry-Bulb Temperature
	30 Percent to 50 Percent Relative Humidity
Minimum Air Changes per Hour:	4
100% Exhaust:	No
100% Outside Air:	No
Room Air Balance:	Neutral (0)
Dedicated Exhaust System:	No
Occupancy:	2
AC Load-(Equipment):	As Required
AC Load (Light):	As Required
Notes:	--

PLUMBING AND MEDICAL GASES

Cold Water:	--
Hot Water:	--
Laboratory Air:	--
Laboratory Vacuum:	--
Sanitary Drain:	--
Reagent Grade Water:	--
Medical Air:	--
Medical Vacuum:	--
Oxygen:	--
Notes:	--

Disposition: Agent Cashier (CASH1)

Equipment List

JSN	SYMBOL	QTY	AI	DESCRIPTION
		1	CC	Service window, bullet resistant (PG-18-1, MCS 08 56 59; PG-18-4, NCS SD 08 56 59-1)
		1	CC	Alarm, motion detector, intrusion (PG-18-1, MCS 28 16 00)
		1	CC	Outlet, computer (PG-18-1, MCS 27 15 00)
A1010		1	CC	Outlet, telephone/data (PG-18-1, MCS 27 15 00)
		AR	CC	Receptacle, electrical, duplex, 120 volt (PG-18-1, MCS 26 27 26)
		1	CC	Receptacle, electrical, quadruplex, for computer equipment items (PG-18-1, MCS 26 27 26)
		AR	CC	Card key access (PG-18-1, MCS 28 13 16)
		1	CC	Mail slot (PG-18-1, MCS 08 56 59)
		1	CC	Alarm button, security/duress (PG-18-1, MCS 27 52 31)
F0230		1	VV	Chair, rotary, without arms
F0275		1	VV	Chair, rotary, with arms
F0405		AR	VV	Cabinet, filing, 5 drawer, approx. 15" W x 25" D x 60" H (380 mm W x 635 mm D x 1520 mm H)
F3100		1	VV	Safe, office, combination lock, 1 or 2 doors, size as required
A5145		2	VV	Hook, coat, wall mounted
E0099		1	VV	Corner workstation 60" x 72" x 30" (1520 mm x 1800 mm x 750 mm)
E0042		AR	VV	Work surface, modular 30" D (750 mm D)
M1801 & M1825		1	VV	Computer and printer
F3200		1	VV	Clock, atomic, battery operated
A6311		1	VV	Horizontal miniblinds

This page intentionally left blank.

