



U.S. Department
of Veterans Affairs

National Cemetery Signs

- Design
- Exterior Signs
- Interior Signs
- Construction
- Specifications
- Installation

This page is intentionally left blank.

Section 12: National Cemetery Signs

- **Planning** 12-2-1 – 12-2-4
- **Overview** 12-3-1 – 12-3-7
- **Exterior Signs** 12-4-1 – 12-4-40
- **Interior Signs** 12-4-41 – 12-4-46
- **Specifications** 12-5-1
- **Installation** 12-6-1 – 12-6-13

This page is intentionally left blank.

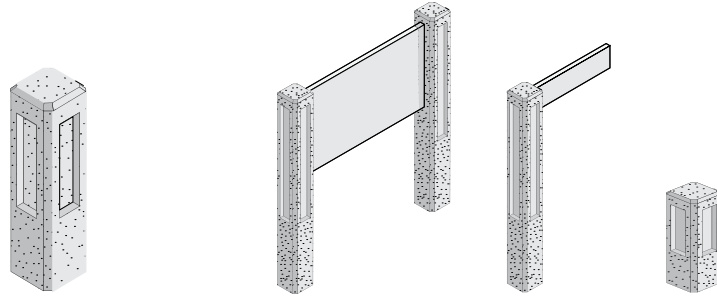
Sign Post Family

The first step in selecting signs for a site is selecting the sign family or look. The sign type illustrations included in this section illustrate the different post families and styles. When establishing the signage for a site, select either metal family or precast concrete family to provide a consistent look through out the site. Once a post family and style is selected, they become the standard for all signs in the cemetery.

When selecting a sign post one should consider choosing an option that is reflective of the regional aesthetic of the particular cemetery.

The examples to the right illustrate the standard sign posts used in National Cemeteries.

Once Family and Style have been established, specific sign types can be selected. Sign type numbers specify use, such as Directional, Informational, Identification, or Traffic signs.

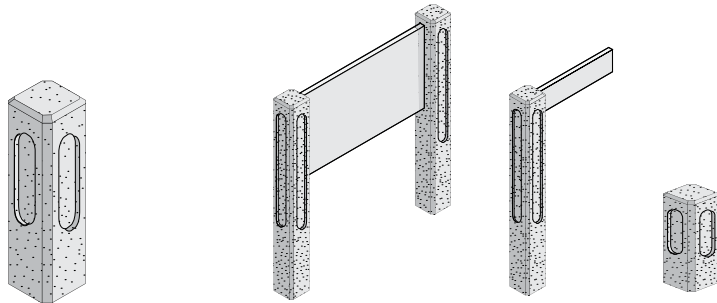


Post: c1

Concrete with square recess

Concrete Post Family - Square Style

c1 - Pre Cast Concrete post with square detail in 5 1/2" and 7-1/2"

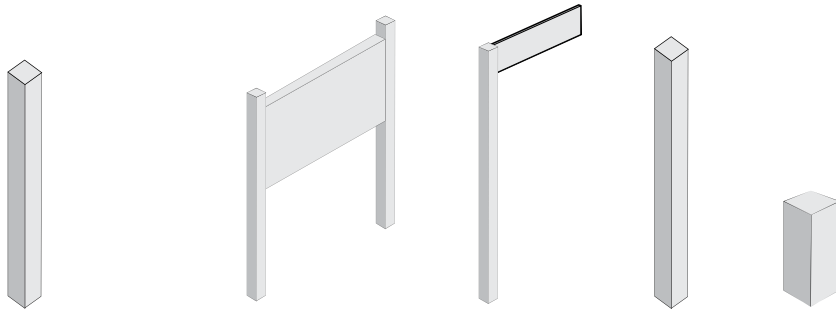


Post: c2

Concrete with rounded recess

Concrete Post Family - Round Style

c2 - Pre Cast Concrete post with round detail in 5 1/2" and 7-1/2"

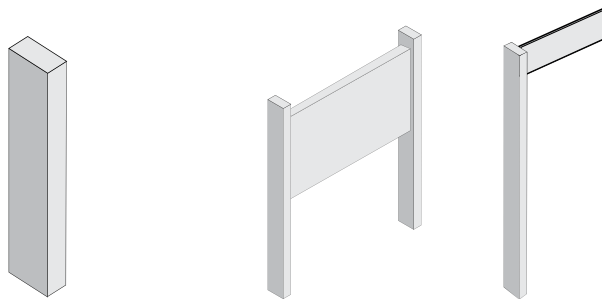


Post: m1

Square Metal

Metal Post Family - Square Style

m1 - Metal post in square size. 2" x 2", 6" x 6", 8" x 8"



Post: m2

Rectangular Metal

Metal Post Family - Rectangle Style

m2 - Metal post in rectangle size. 2" x 4"

This page is intentionally left blank.

Design Elements

Typeface

The preferred typefaces for the National Cemetery System are Optima Bold and Times Roman Bold. Helvetica Bold is the standard typeface for the VA sign program and can be used throughout the sign program.

Signs identifying permanent rooms shall be ABA compliant, to accommodate the visually impaired. ABA compliant signs must have tactile letters in all caps with accompanying Grade 2 Braille.

All non-ABA signs are to maintain an upper and lower case (Initial Caps) format.

National Cemetery projects may use Optima Bold or Times Roman Bold for dimensional letters on entry and columbarium walls.

National Cemetery Preferred Typeface - Optima Bold

ABCDEFGHIJKLMNOPQRSTUVWXYZ
abcdefghijklmnopqrstuvwxyz
1234567890

National Cemetery Preferred Typeface - Times Roman Bold

ABCDEFGHIJKLMNOPQRSTUVWXYZ
abcdefghijklmnopqrstuvwxyz
1234567890

VA Building Standard - Helvetica Bold

ABCDEFGHIJKLMNOPQRSTUVWXYZ
abcdefghijklmnopqrstuvwxyz
1234567890

VA Second Language - Helvetica Regular

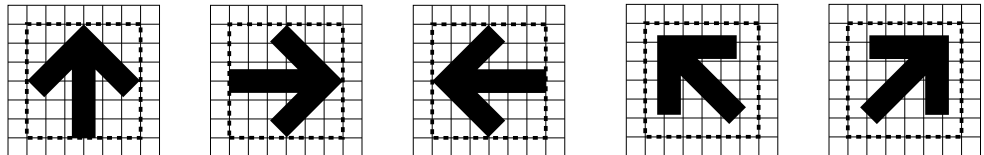
ABCDEFGHIJKLMNOPQRSTUVWXYZ
abcdefghijklmnopqrstuvwxyz
1234567890

Signs with fit issues - Helvetica Bold Condensed

ABCDEFGHIJKLMNOPQRSTUVWXYZ
abcdefghijklmnopqrstuvwxyz
1234567890

Arrows

Illustrations show the prescribed arrow for use in the sign program.



Position 1 Position 2 Position 3 Position 4 Position 5

Arrow Alignment with Text

The arrow is always positioned in such a manner that it is centered in relationship to the capital letter that it precedes. The arrow size is one and one half (1 1/2) times the capital letter height.



Design Elements

Seal

The Seal is for use on the main entry wall. The seal shall be bas relief in cast bronze only.

Refer to VA Technical Information Library on the VA web site for more information on the seal. All seals must conform to master art work which is available from the Department of Veterans Affairs.



Exterior Sign Background Colors

Color

Background color of sign panels: bronze/dark brown, dark green or black unless noted otherwise.

Concrete color: Natural or other integrally colored concrete as selected on a case by case basis.

Traffic sign colors will comply with U.S. Department of Transportation (DOT) Standard Highway Signs

Copy color: Reflective white, equal to engineering grade 3M Scotchlite

NOTE: Color samples are for representational purposes only. The actual paint colors may vary drastically from the corresponding swatches shown in this document. Colors will appear differently when viewed on different computer monitors and/or printed from different printers. For a true color sample, it is best to obtain a paint sample of the desired color from a vendor.

Color #	Color Description	Matthews #	Type Color
	Cast Bronze	MP07458	White
	Wells Fargo Black	MP26309	White
	Gaeta Olive	MP15178	White

	Cast Bronze	MP07458	White
	Ship Yard Grey	MP12416	White
	Trendy Grey Metallic	MP30896	White

B1	Dark Brown Anodized	MP20190	White
B2	Handicapped Blue	MP15085	White
B3	Red (OSHA)	MP55153	White
B4	VA Blue	MP09144	White
B7	White	MP32071	Black
B8	Yellow (OSHA)	MP55391	Black

This section of the VA Signage Design Guide provides guidelines for the types of signs required to properly sign a National Cemetery.

The following Overview illustrates the various types of signs in this section. The individual pages on each sign type provide more specific information and detailed layouts.

National Cemetery Sign Designations

Each sign in the program guide has been given a specific sign type number designation. This designation provides a common description that can be referenced when programming a site and ordering signs. The following explains how the sign type designations are derived.

NC - 07.01 A - m1

NC Designates a National Cemetery sign.

07 Two digit numbers identify a particular sign type.

.01 The two digit number following the period identifies a specific sign size within the sign type.

A The letter designates a specific sign configuration, version and/or layout for graphics.

m1 The letter and number designates the post family and style.

c1 denotes concrete family with square insert style

c2 denotes concrete family with round insert style

m1 denotes metal family with square style

m2 denotes metal family with rectangle style

NC-01.01

Visitor Information/Regulations
Medium



NC-01.01-m1&m2
2' x 3' panel x 3'-6" tall
Metal post

NC-01.01-c1&c2
2' x 3' panel 3'-6" tall
Concrete post



A - Layout Information



B - Layout Floral Regulations

NC-01.02

Visitor Information/Regulations
Large



NC-01.02-m1&m2
2'-6" x 4' panel x 3'-6" tall
Metal post

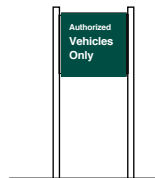
NC-01.02-c1&c2
2'-6" x 4' panel x 3'-6" tall
Concrete post

NC-01.03

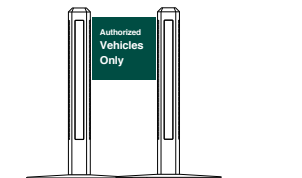
Small double post

NC-01.13

Small single post



NC-01.03-m1&m2
1'-6" x 1'-6" panel x 3'-6" tall



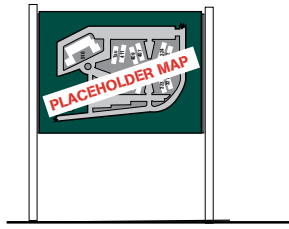
NC-01.03-c1&c2
5/2" posts
1'-6" x 1'-6" panel x 3'-6" tall



NC-01.13-c1&c2
7 1/2" post
1'-6" x 1'-6" panel x 3'-6" tall

NC-02.01

Horizontal Orientation Map



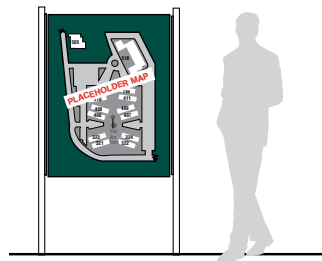
NC-02.01- m1&m2
3' x 4' panel x 5'-0" tall
Metal post



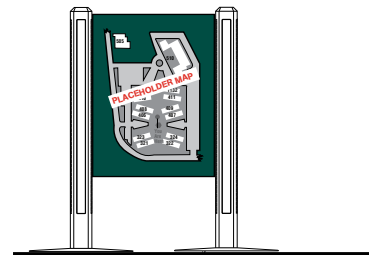
NC-02.01- c1&c2
3' x 4' panel x 5'-0" tall
Concrete post

NC-02.02

Vertical Orientation Map



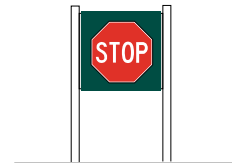
NC-02.02 - m1&m2
4' x 3' panel x 5'-0" tall
Metal post



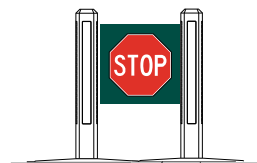
NC-02.02 - c1&c2
4' x 3' panel x 5'-0" tall
Concrete post

NC-03.01

Traffic Regulatory
Post and single panel



NC-03.01A-m1&m2



NC-03.01A-c1&c2



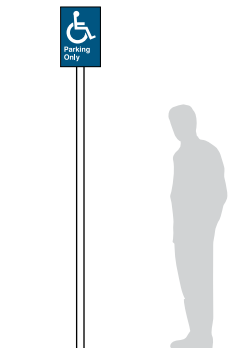
NC-03.02A-c1&c2

NC-03.02

Traffic Regulatory
Single post and panel

NC-03.09

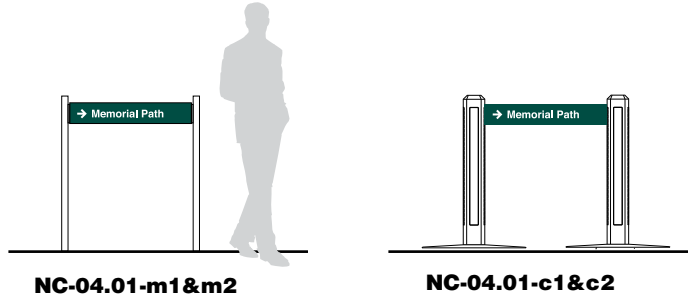
Traffic Regulatory
Tall Single 2" x 2" post



NC-03.09-m1

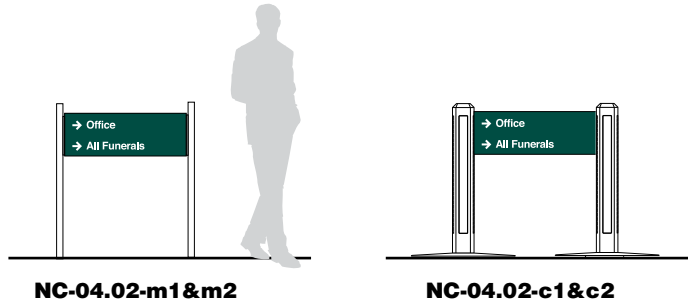
NC-04.01

Post and panel
One line of text



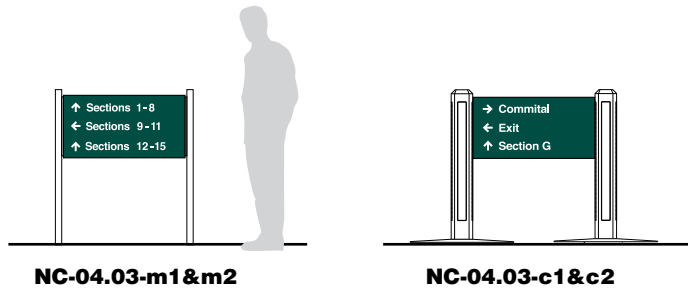
NC-04.02

Post and panel
Two lines of text



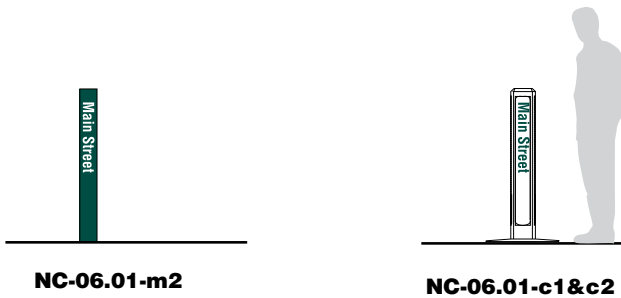
NC-04.03

Post and panel
Three lines of text



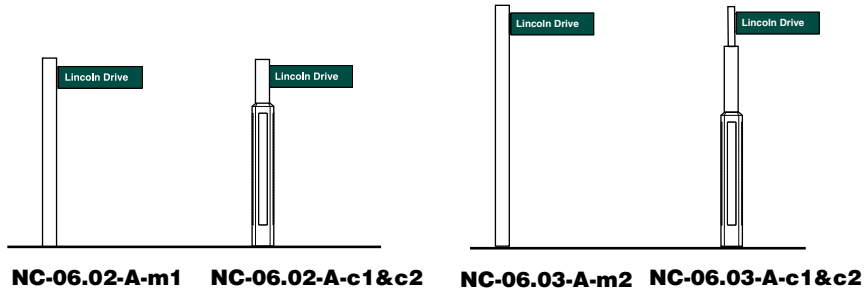
NC-06.01

Pylon Street marker
4'-0" tall



NC-06.02
Street marker
4' Flag type

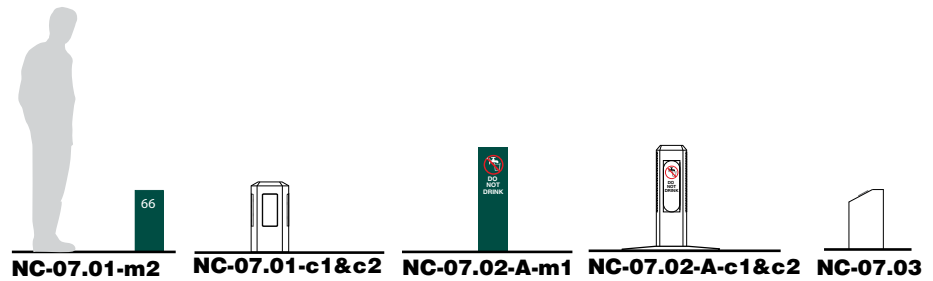
NC-06.03
Street marker
6' Flag type



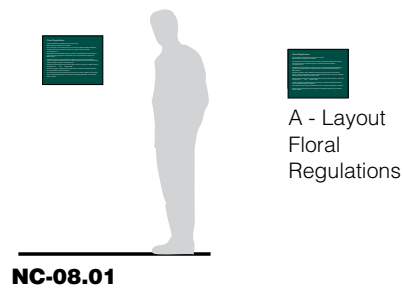
NC-07.01
Pylon section marker

NC-07.02
Water Spigot instructions

NC-07.03
Standard Granite Section Marker



NC-08.01
Wall Mount Informational sign



NC-09.01

Incised letter 8"



8" Letter
1 1/2" Deep

NC-09.03



10" Letter
2" Deep

NC-09.04



12" High Letter
2 1/2" Deep

NC-09.05

NC-10.01

Dimensional letter 8"



8" Letter
1 1/2" Deep

NC-10.01



10" Letter
2" Deep

NC-10.02



12" High Letter
2 1/2" Deep

NC-10.03

NC-11.01

24" diameter cast bronze seal
bas relief



2' Dia Seal
1" Deep

NC-11.01

NC-14.01
Primary Room identification



NC-14.01

NC-15.01-3
ADA/ABA compliant
Restroom identification



NC-15.01



NC-15.02



NC-15.03

NC-15.04-6
Restroom identification



NC-15.04



NC-15.05



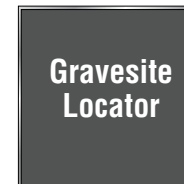
NC-15.06

NC-16.01
Information sign



NC-16.01

NC-16.02
Gravesite Locator sign



NC-16.02

NC-16.03-4
No Smoking signs



NC-16.03



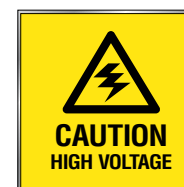
NC-16.04

NC-16.05
Caution Flammable
Material warning



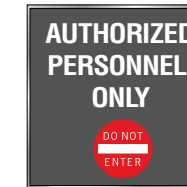
NC-16.05

NC-16.06
High Voltage warning



NC-16.06

NC-16.07
Authorized Personnel
Only sign



NC-16.07

This page is intentionally left blank.

Information / Regulations

Size

Sign Face:
610 mm H x 1016 mm W
(2' 0" H x 3' 4" W)

Overall Sign Height:

1067 mm (3'-6")

Description

National Cemetery non-illuminated, post and panel. Informative sign with visitor instructions and hours.

Message Configuration

(Refer to message layout drawing for dimensions)

Message size and layout should be adjusted to the volume of information presented. Smaller fonts than shown should not be used because the messages will be unreadable. Larger fonts than shown will result in messages that may not fit on the sign.

Graphic Process

Surface applied vinyl

Colors

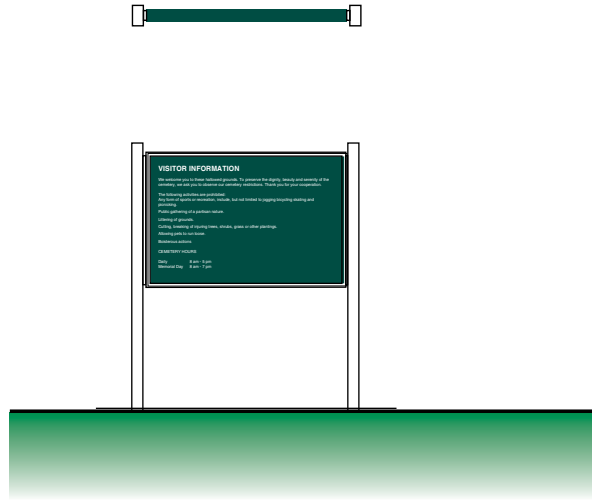
Text: White

Background: refer to color chart.

Post: refer to color chart.

Recommendations

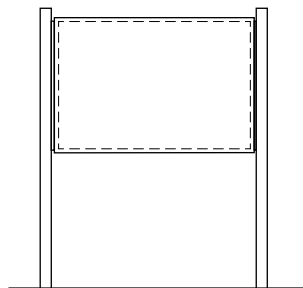
Position sign to provide viewers with a clear, unobstructed view of the sign.



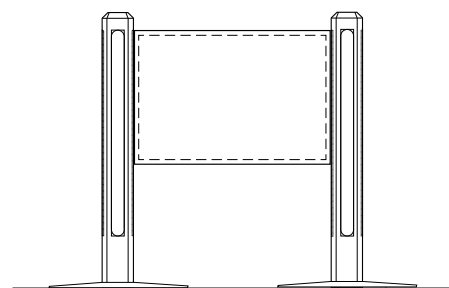
Message Layout A



Message Layout B

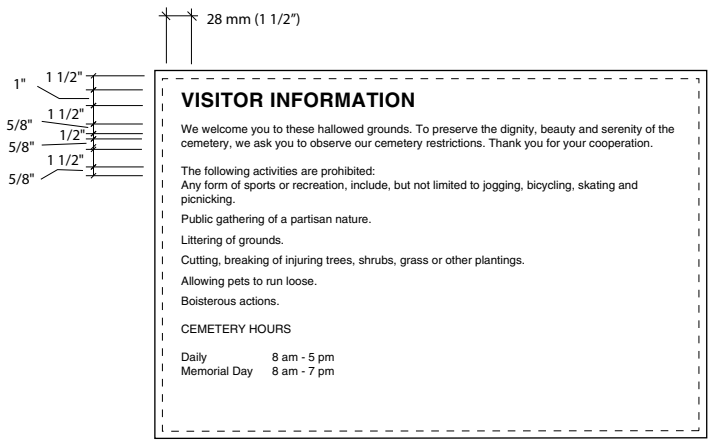
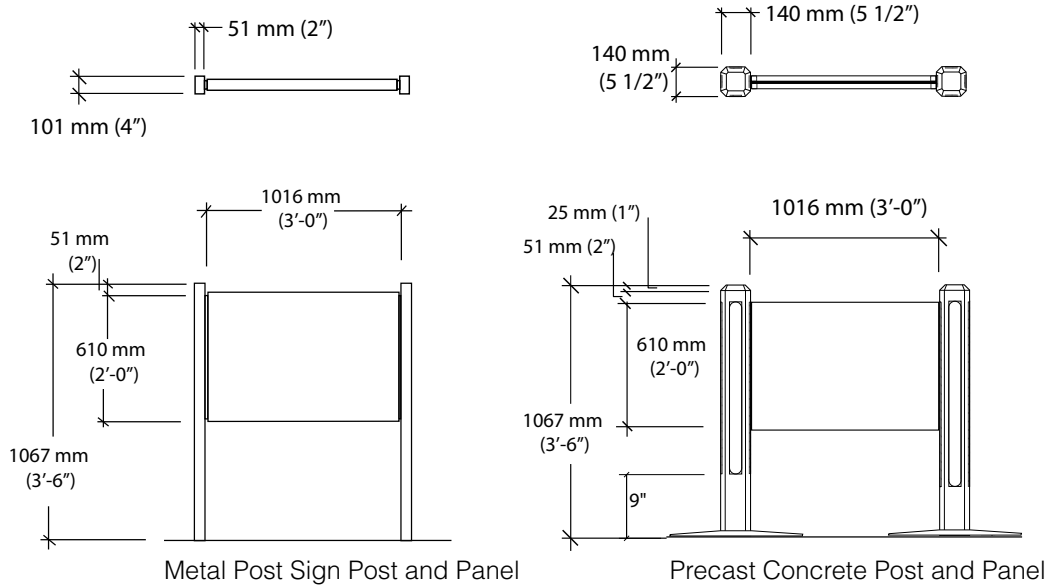


**Metal Post and Panel
NC-01.01-m1&m2**

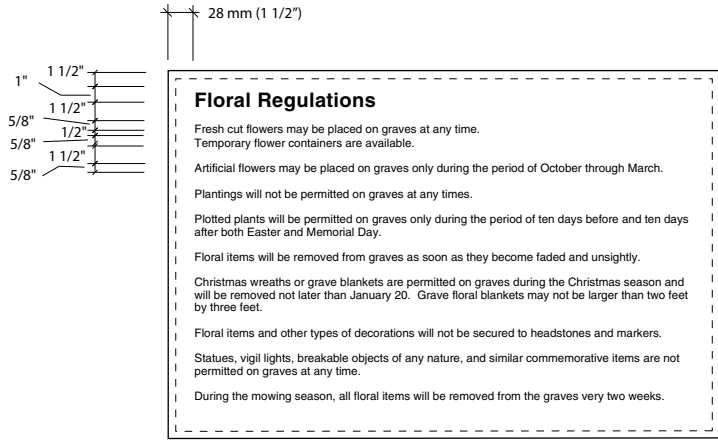


**Precast Concrete Post and Panel
NC-01.01-c1&c2**

Information / Regulations



Message Layout A



Message Layout B

Information / Regulations

Size

Sign Face:
677 mm H x 1016 mm W
(2' 6" H x 4' 0" W)

Overall Sign Height:
1067 mm (3' 6")

Description

National Cemetery non-illuminated, post and panel informative sign with visitor instructions and hours

Message Configuration

(Refer to message layout drawing for dimensions)

Message size and layout should be adjusted to the volume of information being presented. Smaller fonts than shown should not be used because the messages will be unreadable. Larger fonts than shown will result in messages that may not fit on the sign.

Graphic Process

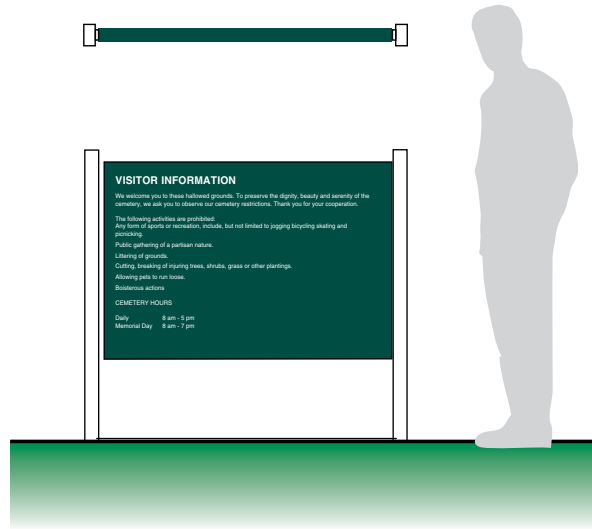
Surface applied vinyl

Colors

Text: White
Background: refer to color chart.
Post: refer to color chart.

Recommendations

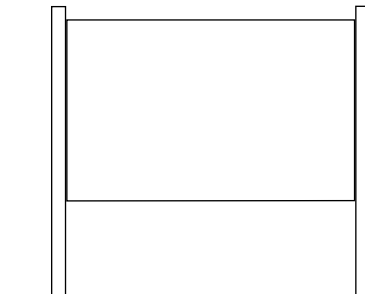
Position sign to provide viewers with a clear, unobstructed view of the sign.



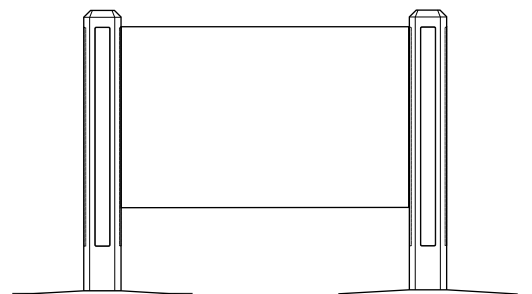
Message Layout A



Message Layout B

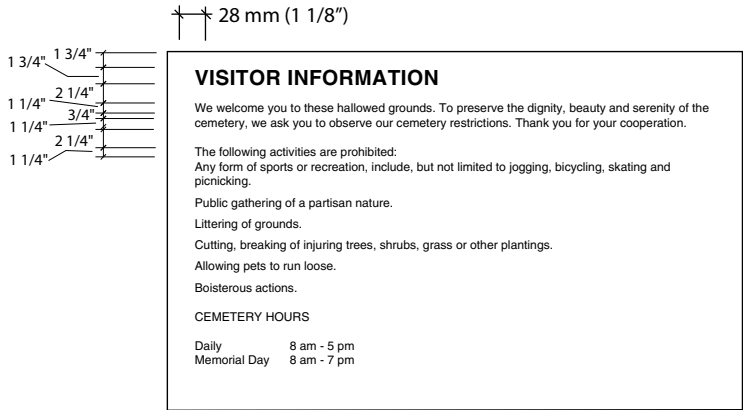
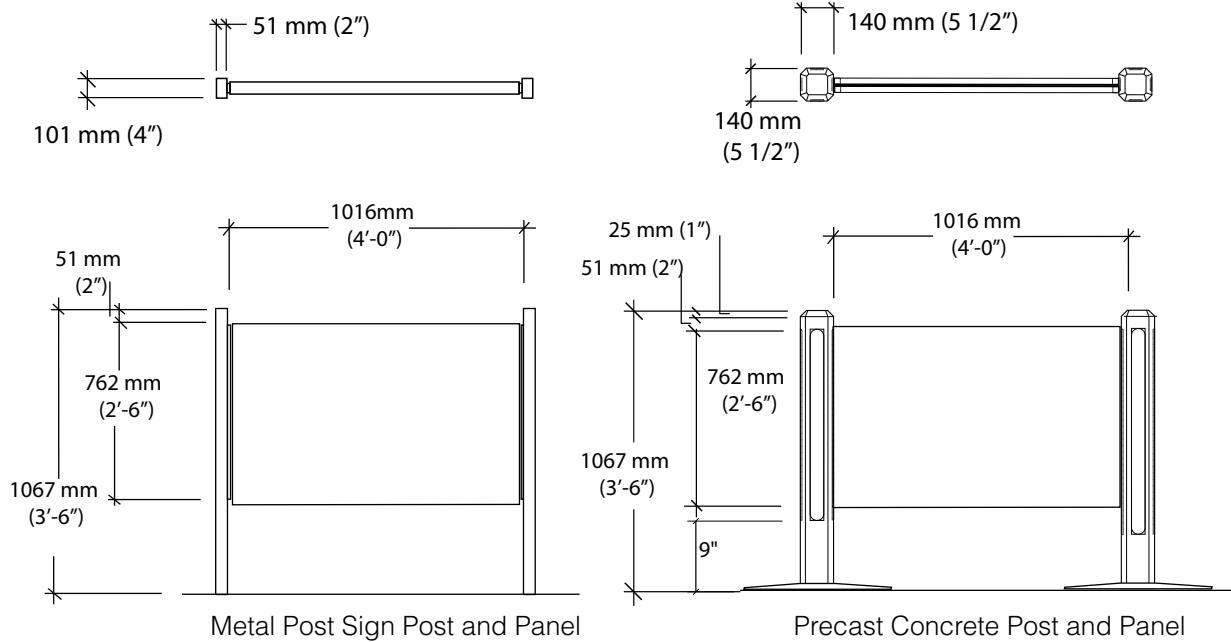


Metal Post & Panel
NC-01.02-m1&m2

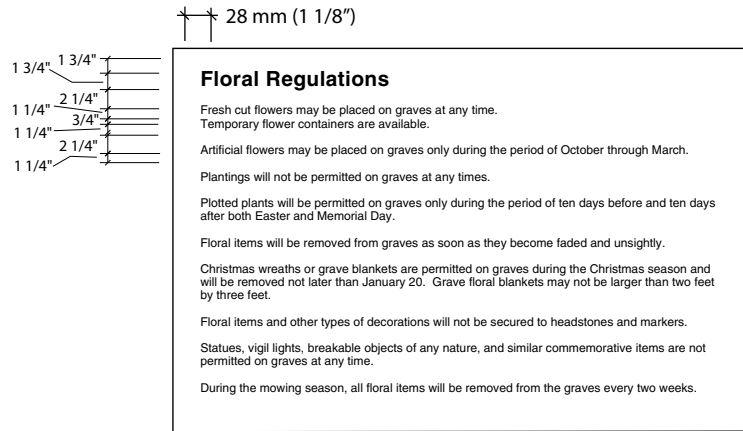


Precast Concrete Post & Panel
NC-01.02-c1&c2

Information / Regulations



Message Layout A



Message Layout B

Information / Regulations

Size

Sign Face:
457 mm H x 457 mm W
(1' 6" H x 1' 6" W)

Overall Sign Height:
1067 mm (3' 6")

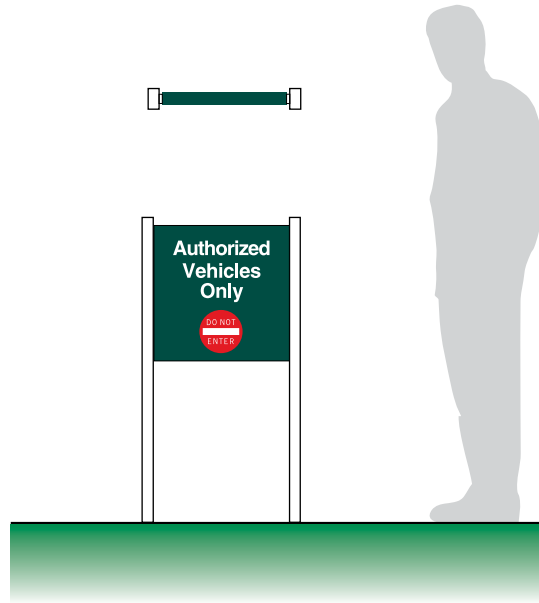
Description

National Cemetery non-illuminated, post and panel informative sign with visitor instructions.

Message Configuration

(Refer to message layout drawing for dimensions)

Message size and layout should be adjusted to the volume of information being presented. Smaller fonts than shown should not be used because the messages will be unreadable. Larger fonts than shown will result in messages that may not fit on the sign.



Graphic Process

Surface applied vinyl

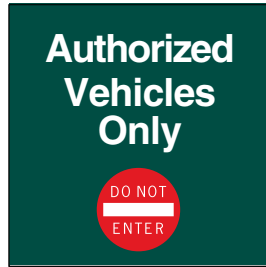
Colors

Text: White
Background: refer to color chart.
Post: refer to color chart.

Recommendations

Position sign to provide viewers with a clear, unobstructed view of the sign.

Message Layout A



Message Layout B



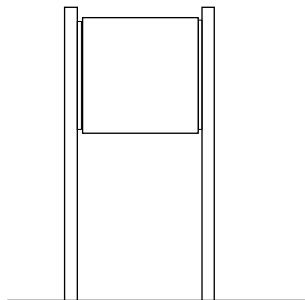
Message Layout C



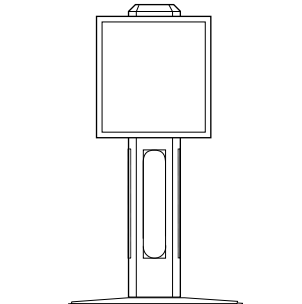
Message Layout D



Message Layout E

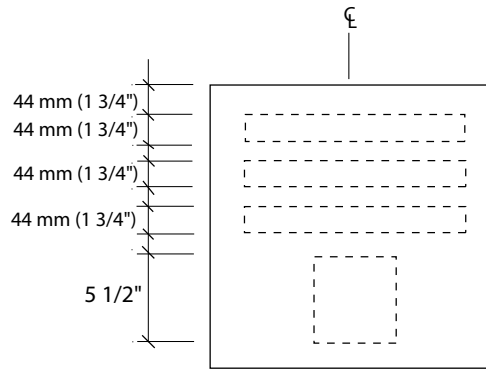
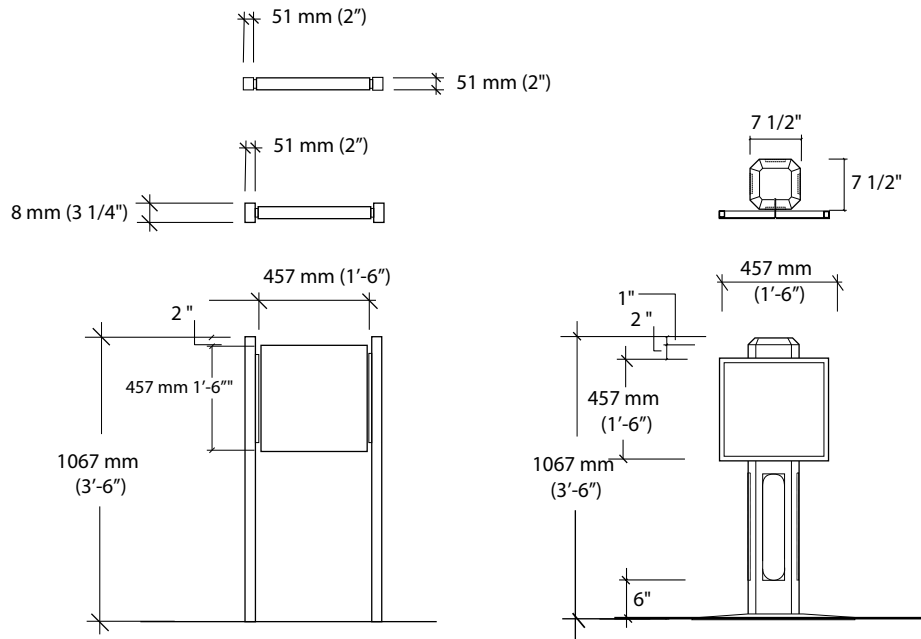


**Metal Post & Panel
NC-01.03-m1&m2**

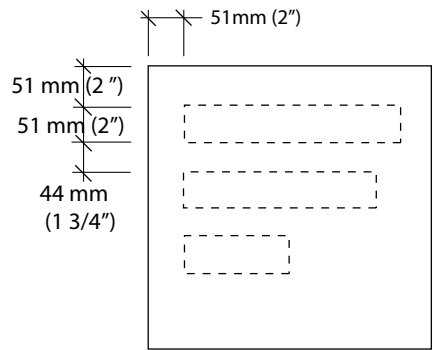


**Precast Concrete Post
NC-01.03-c3**

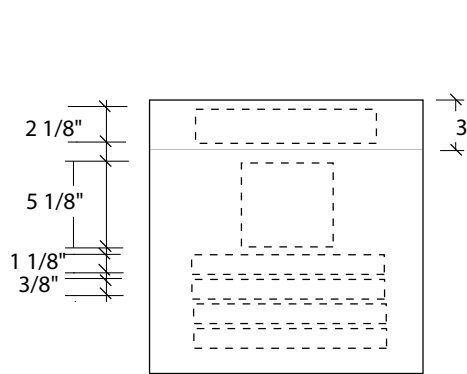
Information / Regulations



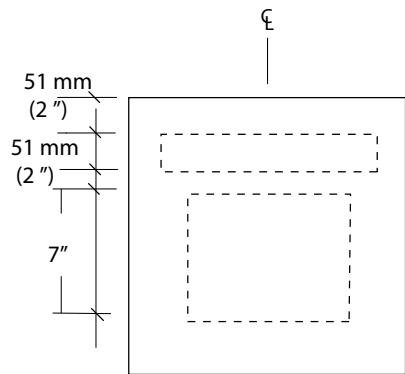
Message Layout A



Message Layout B and C



Message Layout D



Message Layout E

Horizontal You Are Here Map

Size

Sign Face:
914 mm H x 1219 mm W
(3' 0" H x 4' 0" W)

Overall Sign Height:
1524 mm (5' 0")

Description

Horizontal non-illuminated cemetery orientation map "You Are Here" sign with map and messages directed specifically to pedestrians. Position to provide pedestrians with an unobstructed view of the sign.

Message Configuration

(Refer to message layout drawing for dimensions)

Map art is custom to each site and should be made as large as possible on the sign.

Graphic Process

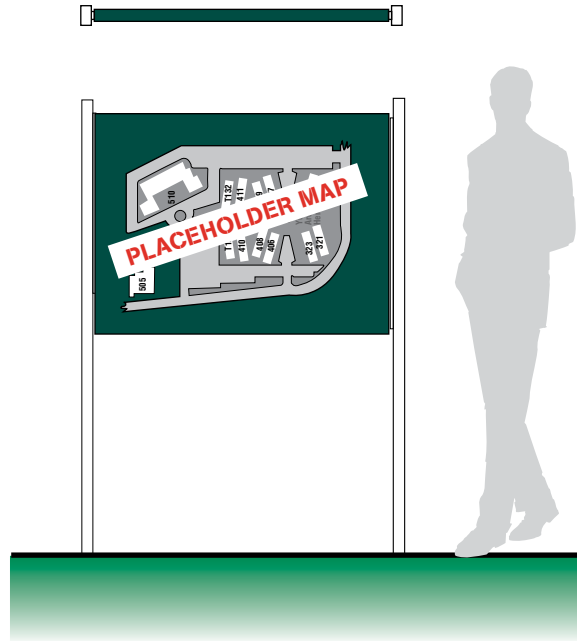
Surface applied reflective vinyl for text. Map is surface silk-screened or large format "printer/plotter" print on vinyl with UV resistant ink and clear UV resistant overcoat.

Colors

Text: White and necessary colors to create map
Background: refer to color chart.
Post: refer to color chart.

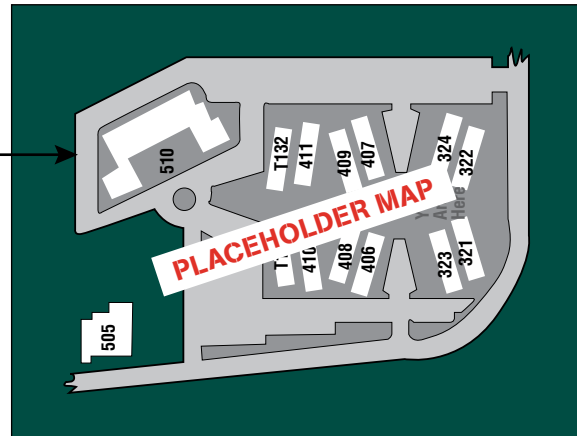
Recommendations

Use this type of sign for maps that are to be viewed by pedestrians. Use North arrow, entry and special features for orienting. The campus map should be simple showing streets, burial sections with numbering of sections, columbarium walls, courts, buildings streets and memorial walkway. Labeling shows features such as assembly area large memorials. Map should be positioned and oriented in the direction that is being viewed.

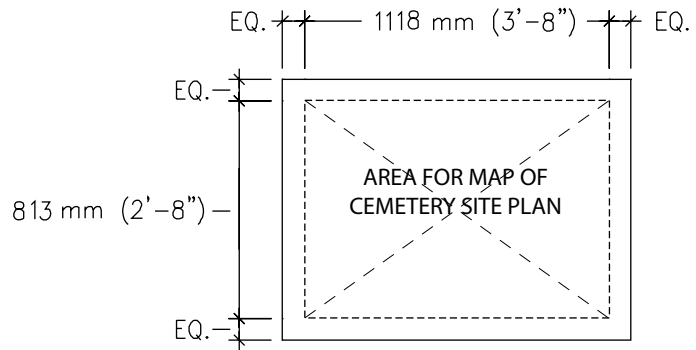
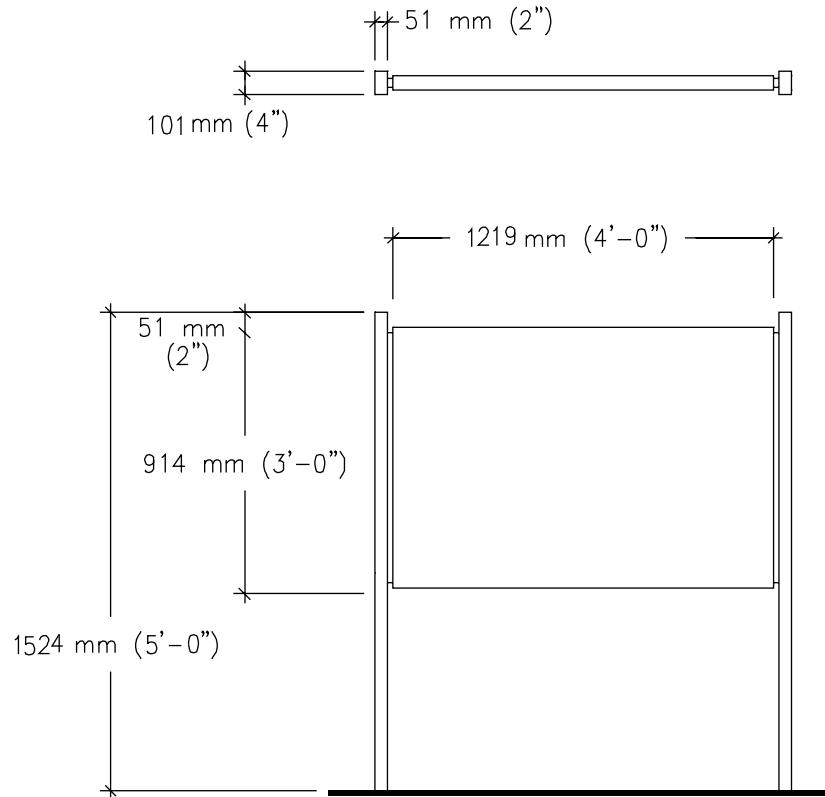


Message Layout A

Map to be Inserted Here



Horizontal You Are Here Map



Message Layout A

Vertical You Are Here Map

Size

Sign Face:
914 mm W x 1219 mm H
(3' 0" W x 4' 0" H)

Overall Sign Height:
1830 mm (6' 0")

Description

Vertical, non-illuminated cemetery orientation sign, "You Are Here" map and messages directed specifically to pedestrians. Position to provide pedestrians with an unobstructed view of the sign.

Message Configuration

(Refer to message layout drawing for dimensions)

Map art is custom to each site and should be made as large as possible on the sign.

Graphic Process

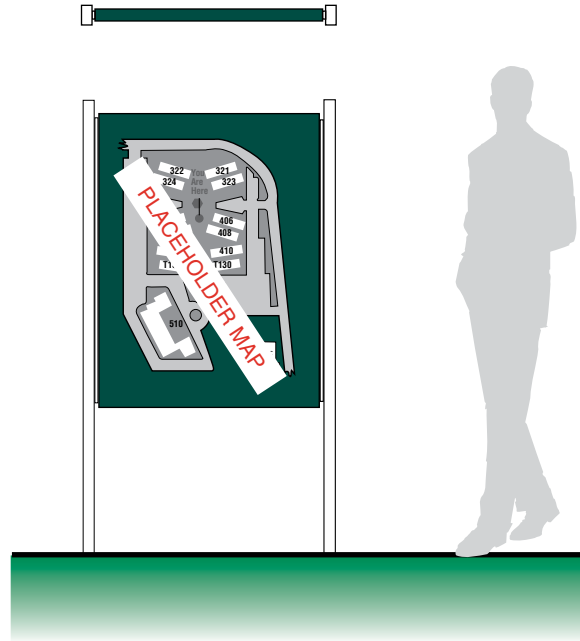
Surface applied reflective vinyl for text. Map is surface silkscreened or large format "printer/plotter" print on vinyl with UV resistant ink and clear UV resistant overcoat.

Colors

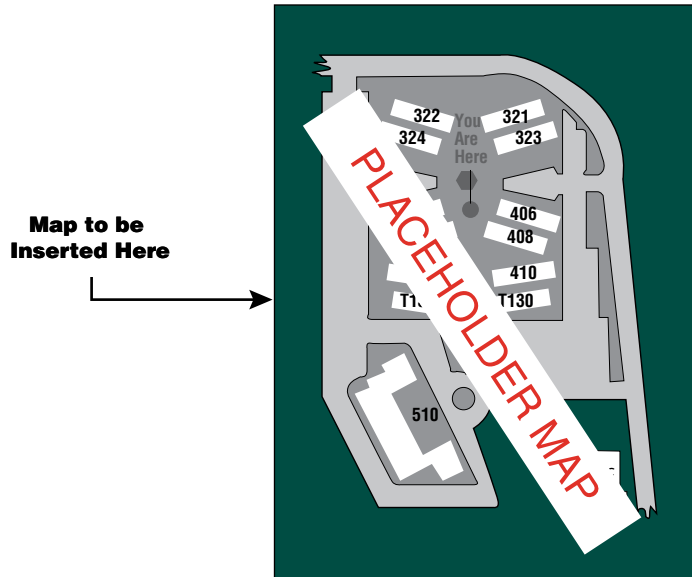
Text: White and necessary colors to create map
Background: refer to color chart.
Post: refer to color chart.

Recommendations

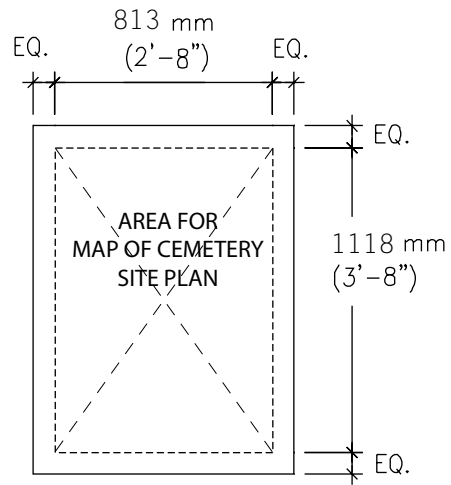
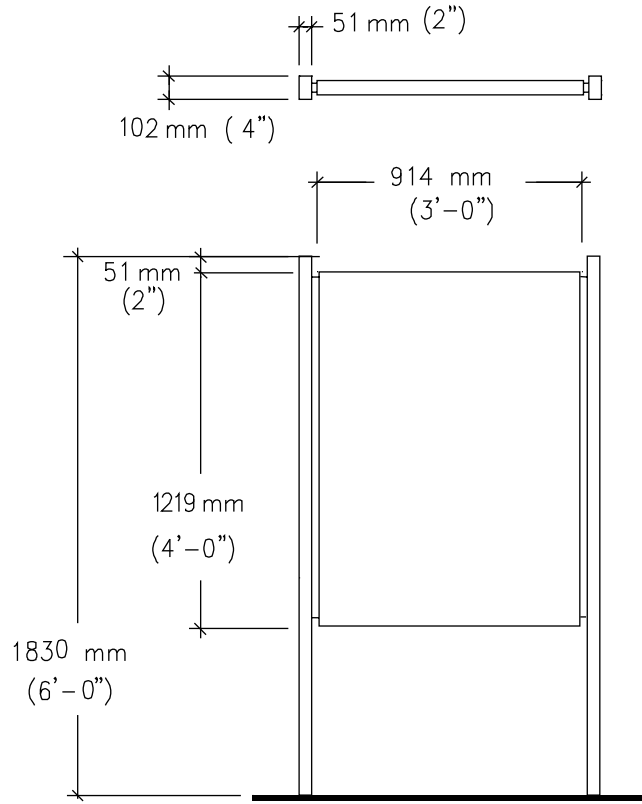
Use this type of sign for maps that are to be viewed by pedestrians. Use North arrow, entry and special features for orienting. The campus map should be simple showing streets, burial sections with numbering of sections, columbarium walls, courts, buildings streets and memorial walkway. Labeling shows features such as assembly area large memorials. Map should be positioned and oriented in the direction that is being viewed.



Message Layout A



Vertical You Are Here Map



Message Layout A

Low Profile Traffic Regulatory

Size

Sign Face:
457 mm H x 457 mm W
(1' 6" H x 1' 6" W)

Overall Sign Height:
1067 mm (3' 6")

Description

National Cemetery post and panel traffic regulatory sign

Message Configuration

(Refer to message layout drawing for dimensions)

Message size and layout should be adjusted to the volume of information being presented. Smaller fonts than shown should not be used because the messages will be unreadable. Larger fonts than shown will result in messages that may not fit on the sign.

Graphic Process

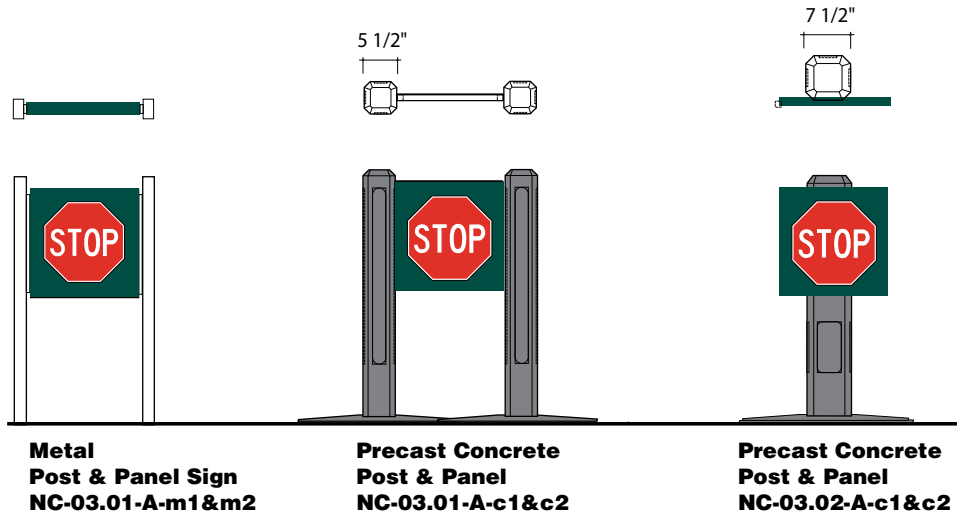
Surface applied vinyl.

Colors

Text: White
Background: refer to color chart.
Post: refer to color chart.

Recommendations

Position sign to provide viewers with a clear, unobstructed view of the sign.



Message Layout A



Message Layout B



Message Layout C



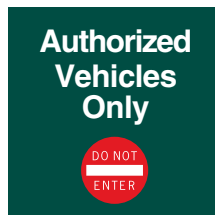
Message Layout D



Message Layout E



Message Layout F



Message Layout G



Message Layout H

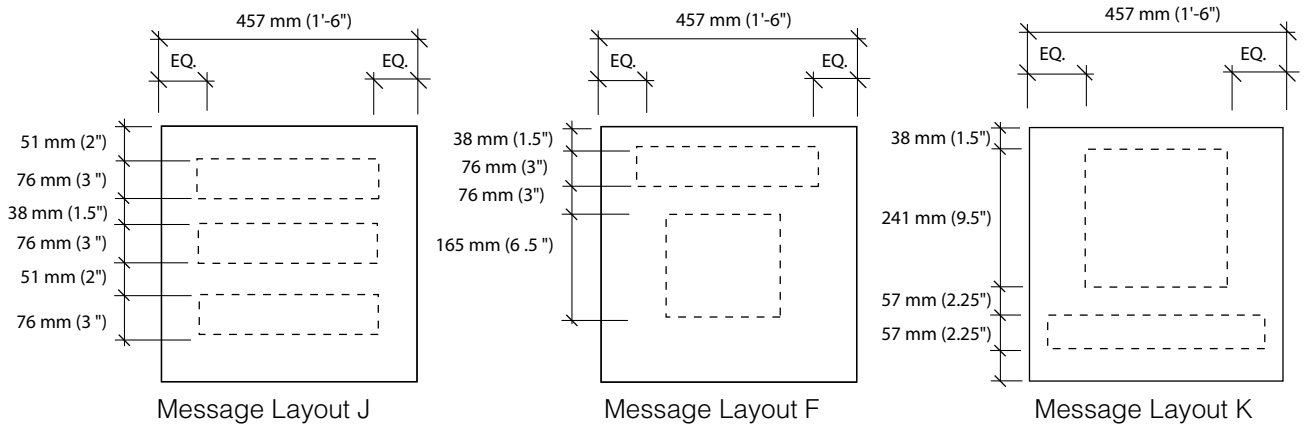
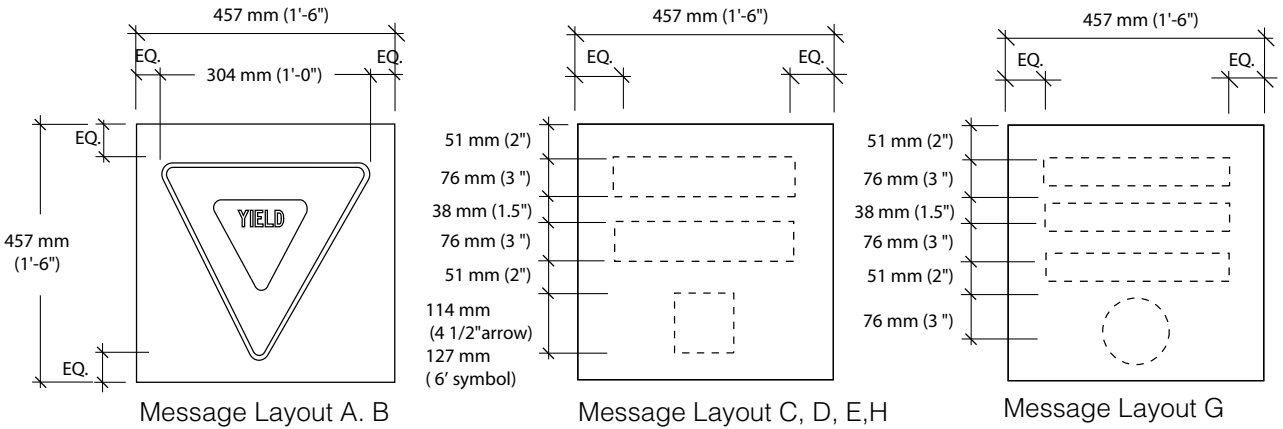
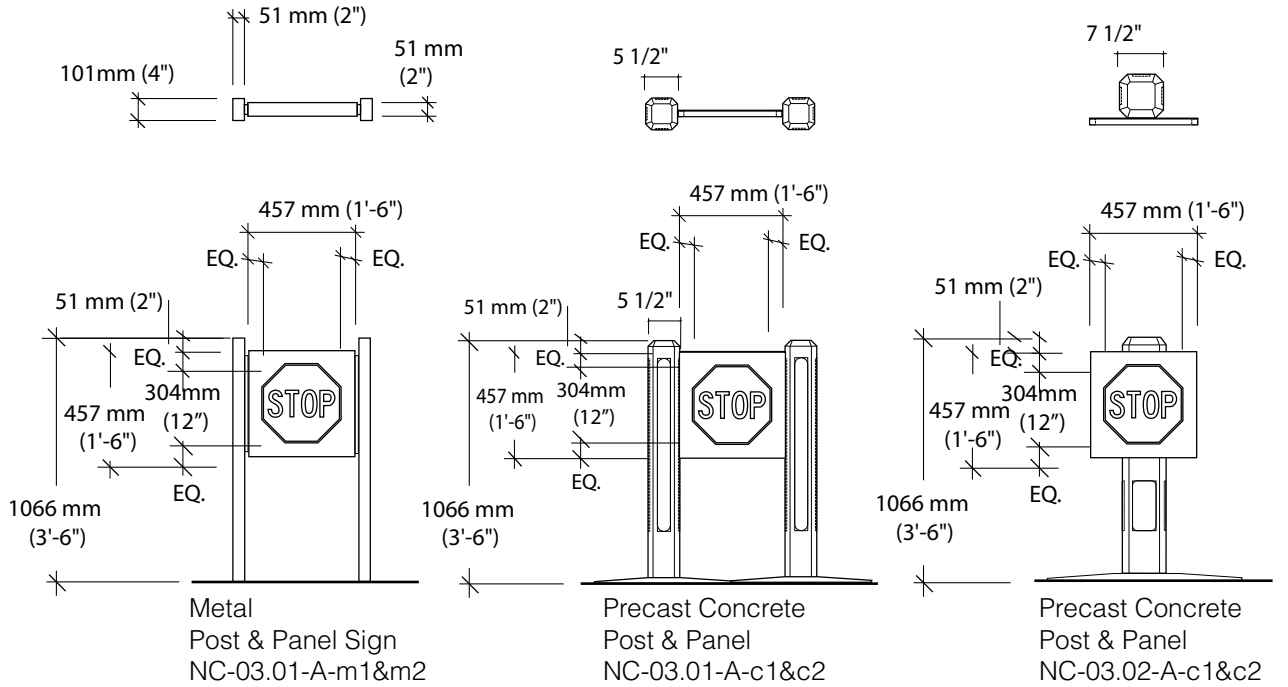


Message Layout J



Message Layout K

Low Profile Traffic Regulatory



Traffic Regulatory - Tall

Size

Sign Face:
457 mm H x 305 mm W
(1' 6" H x 12" W)

NC-03.09
Overall Sign Height:
2590 mm (8' 6")

Description

National Cemetery non-illuminated, post sign identifying accessible parking and pathways

Message Configuration

(Refer to message layout drawing for dimensions).

Graphic Process

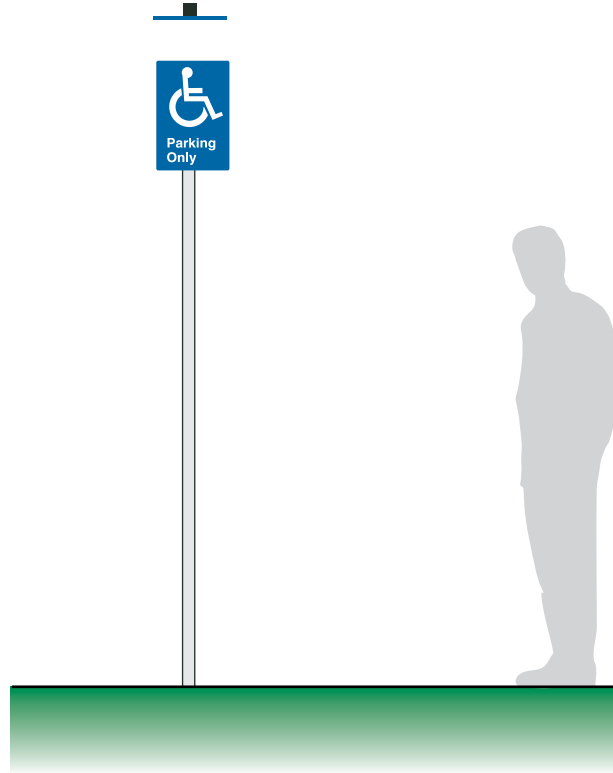
Surface applied vinyl

Colors

Text: White
Background: refer to color chart.
Post: refer to color chart.

Recommendations

Position sign to provide viewers with a clear, unobstructed view of the sign. ABA/ADA regulations require bottom of sign be at 7'-0" from grade.



Message Layout A



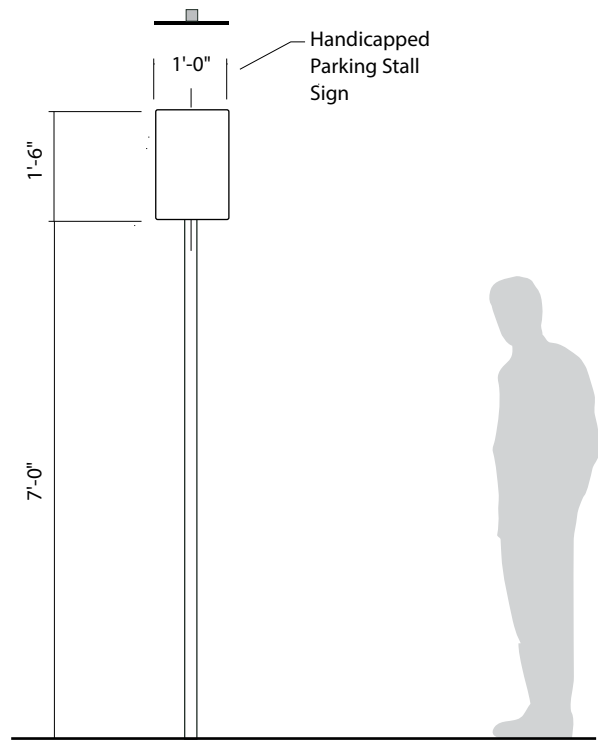
Message Layout B



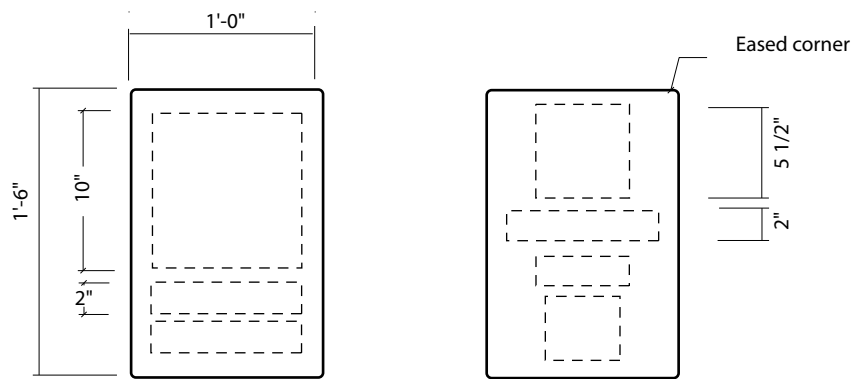
Message Layout C



Traffic Regulatory - Tall



NC03.08 UBC



Message Layout A & B

Message Layout C

Post and Panel: One Line of Text

Size

Sign Face:
203 mm H x 914 mm W
(8" H x 3' 0" W)

Overall Sign Height:
1067 mm (3' 6")

Description

National Cemetery non-illuminated, post and panel directional sign with messages with one line of text. The sign can also be used to identify buildings.

Message Configuration

(Refer to message layout drawing for dimensions)

Message size and layout should be adjusted to the volume of information being presented. Smaller fonts than shown should not be used because the messages will be unreadable. Larger fonts than shown will result in messages that may not fit on the sign.

Graphic Process

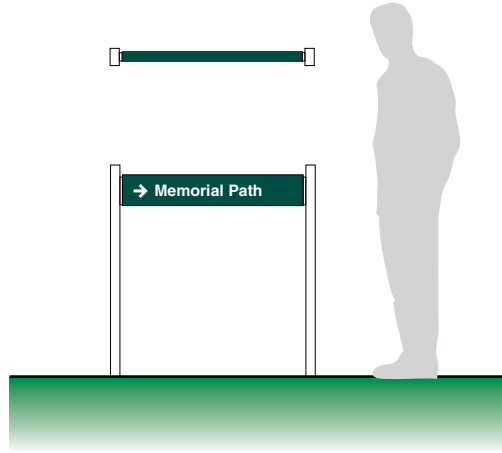
Surface applied reflective vinyl

Colors

Text: White
Background: Refer to color chart.
Post: Refer to color chart.

Recommendations

Position sign to provide pedestrians with a clear, unobstructed view of the sign.



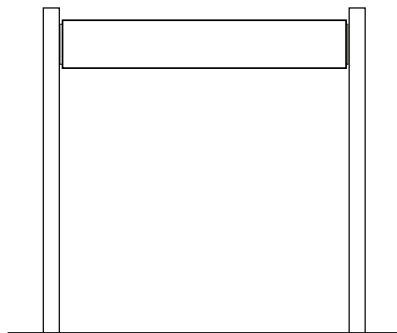
Message Layout A



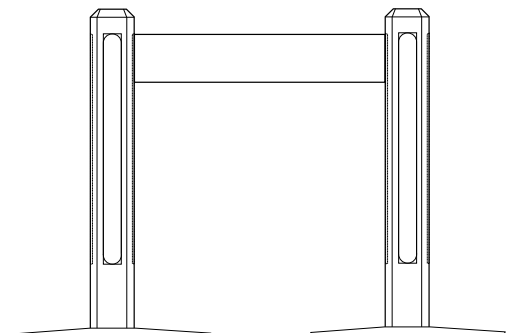
Message Layout B



Message Layout C



Metal Post & Panel Sign
NC-04.01-A-m1&m2



Precast Concrete Post & Panel
NC-04.01-A-c1&c2

Post and Panel: Two Lines of Text

Size

Sign Face:
305 mm H x 914 mm W
(1' 0" H x 3' 0" W)

Overall Sign Height:
1067 mm (3' 6")

Description

National Cemetery non-illuminated, post and panel directional sign with messages with two lines of text. The sign can also be used to identify buildings.

Message Configuration

(Refer to message layout drawing for dimensions).

Message size and layout should be adjusted to the volume of information being presented. Smaller fonts than shown should not be used because the messages will be unreadable. Larger fonts than shown will result in messages that may not fit on the sign.

Graphic Process

Surface applied reflective vinyl

Colors

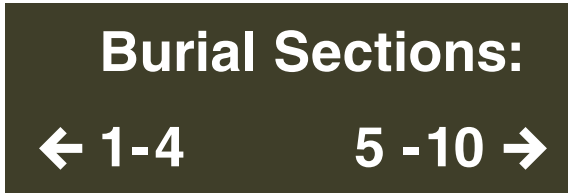
Text: White
Background: refer to color chart.
Post: refer to color chart.

Recommendations

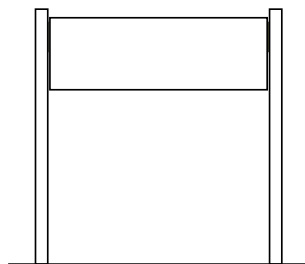
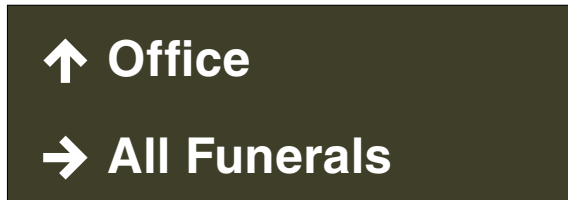
Position sign to provide pedestrians with a clear, unobstructed view of the sign.



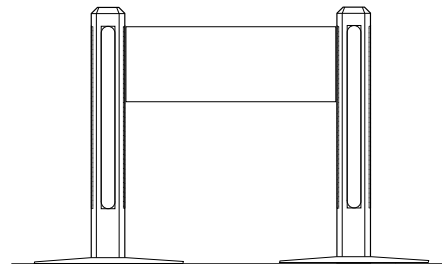
Message Layout A



Message Layout B

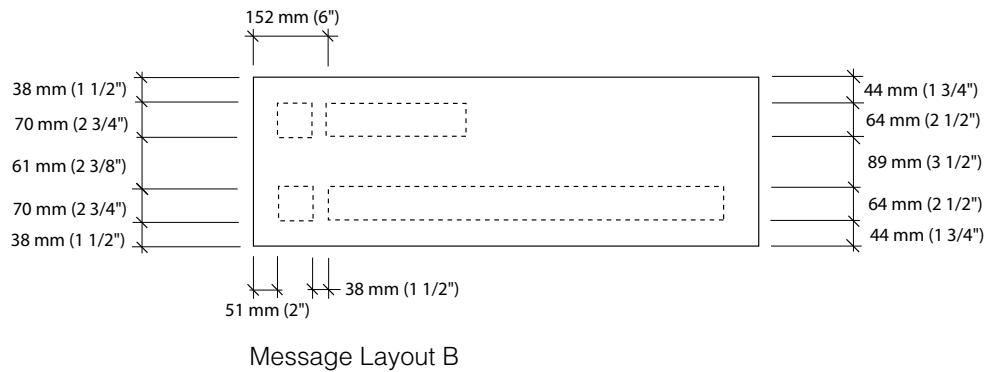
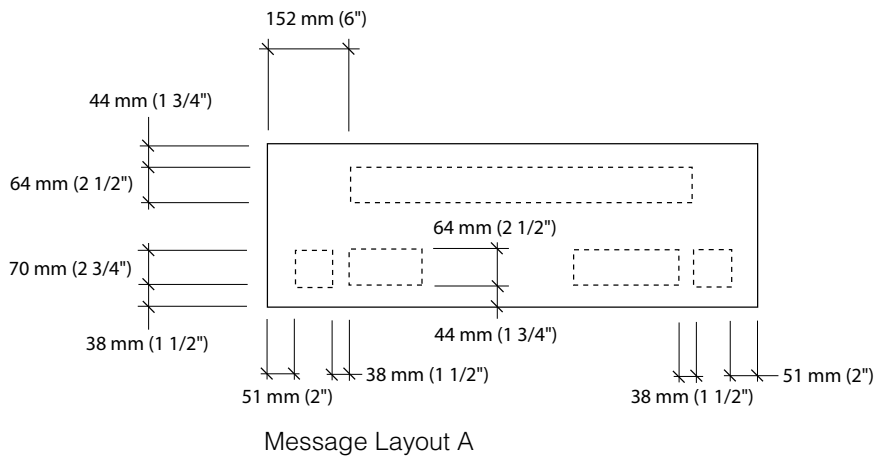
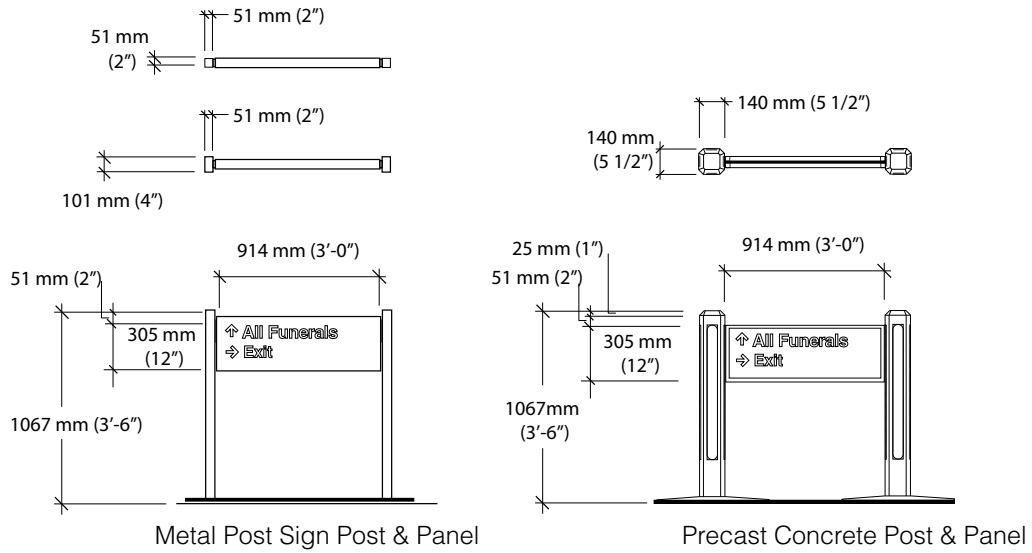


Metal Post & Panel
NC-04.02-m1&m2



Precast Concrete Post & Panel
NC-04.02-c1&c2

Post and Panel: Two Lines of Text



Post and Panel: Three lines of Text

Size

Sign Face:
457 mm H x 914 mm W
(1' 6" H x 3' 0" W)

Overall Sign Height:
1067 mm (3' 6")

Description

National Cemetery non-illuminated, post and panel directional sign with messages in three lines of text.

Message Configuration

(Refer to message layout drawing for dimensions).

Message size and layout should be adjusted to the volume of information being presented. Smaller fonts than shown should not be used because the messages will be unreadable. Larger fonts than shown will result in messages that may not fit on the sign.

Graphic Process

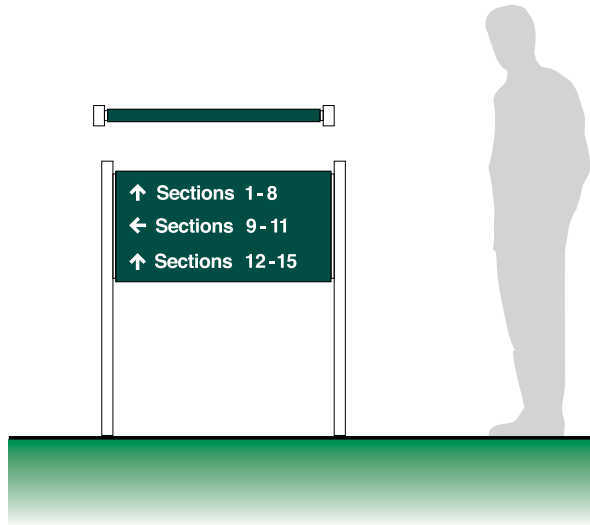
Surface applied reflective vinyl

Colors

Text: White
Background: Refer to color chart.
Post: Refer to color chart.

Recommendations

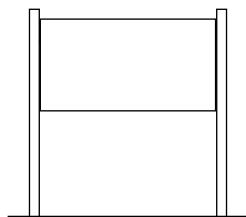
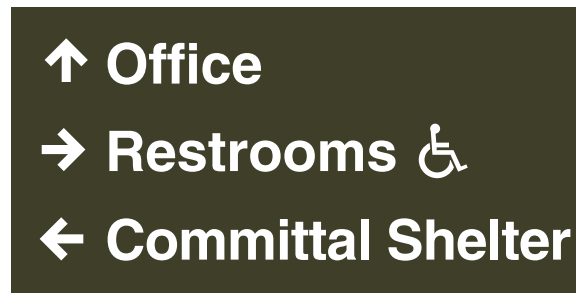
Position sign to provide vehicles and pedestrians with a clear, unobstructed view of the sign.



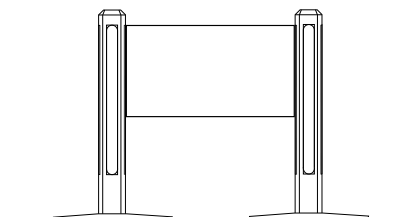
Message Layout A



Message Layout B



Metal Post & Panel
NC-04.03-m1 & m2



Precast Concrete Post & Panel
NC-04.03-c1 & c2

Pylon Street Sign

Size

Sign Face:
914 mm H x 95 mm W
(3' 0" H x 3 3/4" W)

Metal Post:
4' 0" H x 6" W x 6" D

Concrete Post:
4' 0" H x 7 1/2" W x 7 1/2" D

Overall Sign Height:
1219 mm (4' 0")

Description

National Cemetery non-illuminated, Street post with messages directed specifically to vehicles.

Message Configuration

(Refer to message layout drawing for dimensions)

Message size and layout should fit in small text area. Smaller fonts than shown should not be used because the messages will be unreadable. A long text line may not fit on the sign.

Graphic Process

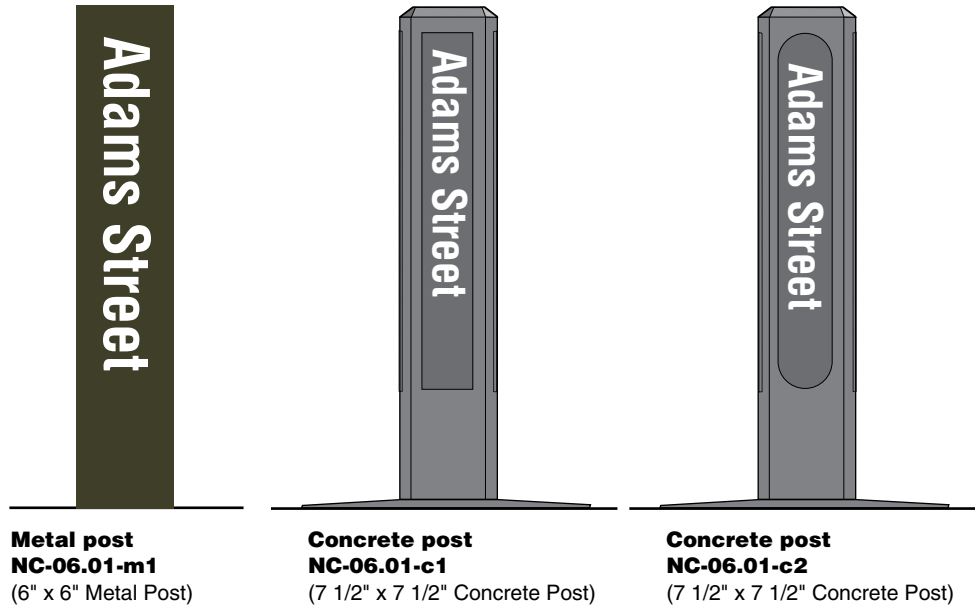
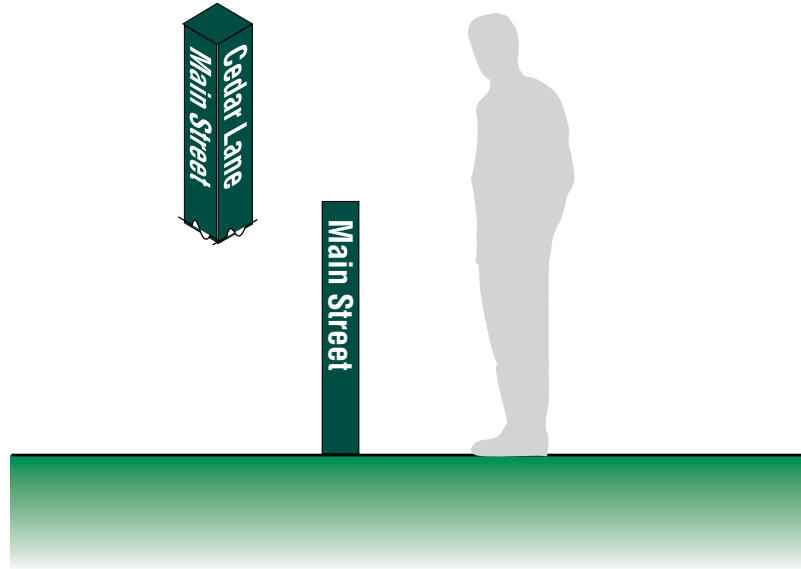
Surface applied reflective vinyl.

Colors

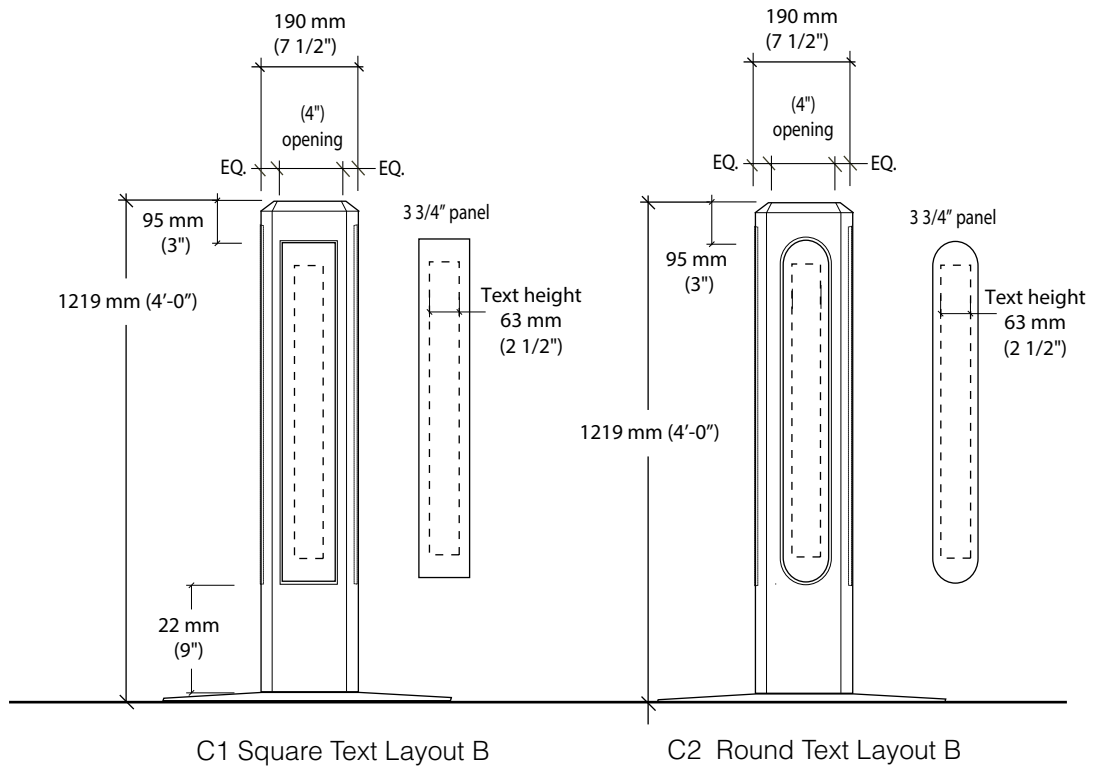
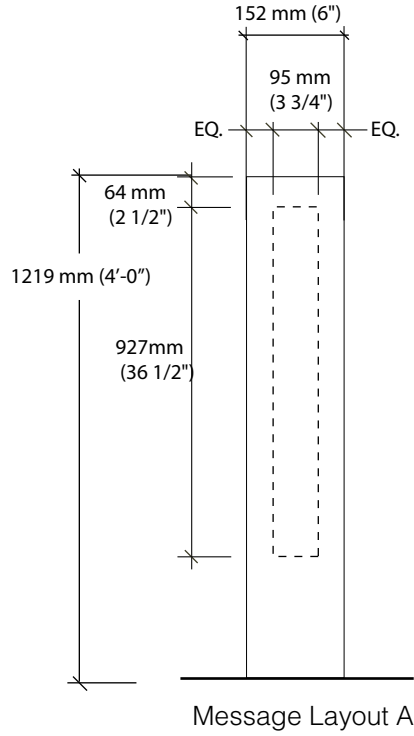
Text: White
Background: refer to color chart
Post: refer to color chart

Recommendations

Position sign to provide vehicles and pedestrians with a clear, unobstructed view of the sign.



Pylon Street Sign



Flag Type Street Sign

Size

Sign Face:
152 mm H x Various Widths
(6" H x Various Widths)

Overall Sign Height:
1219 mm (4' 0")

Description

National Cemetery non-illuminated, post and flag panel street identification sign with messages directed specifically at vehicles and pedestrians. The sign may also be used to identify buildings.

Message Configuration

(Refer to message layout drawing for dimensions).

Street name will determine panel size. Smaller fonts than shown should not be used because the messages will be unreadable. Larger fonts than shown will result in messages that may not fit on the sign.

Graphic Process

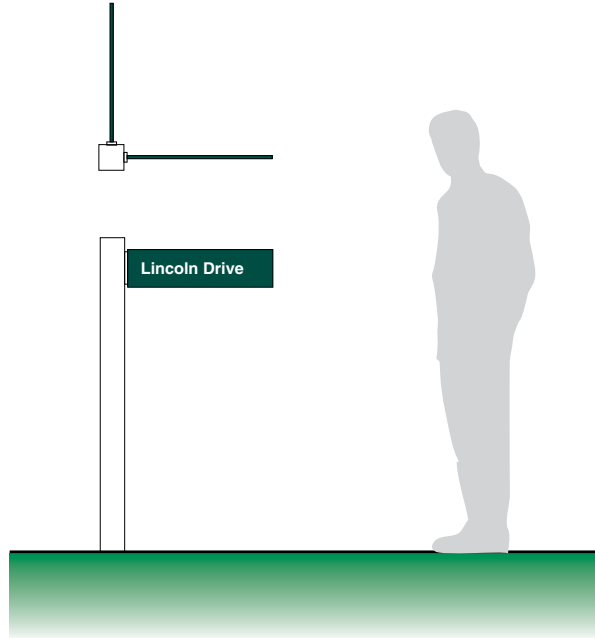
Surface applied reflective vinyl

Colors

Text: White
Background: refer to color chart.
Post: refer to color chart.

Recommendations

Position sign to provide vehicles and pedestrians with a clear, unobstructed view of the sign.



Message Layout A

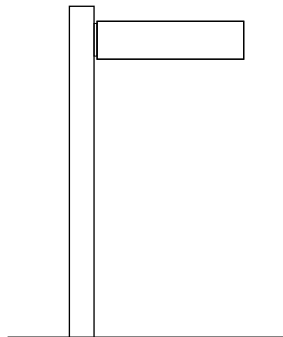
Stonewall Jackson Drive

Message Layout C

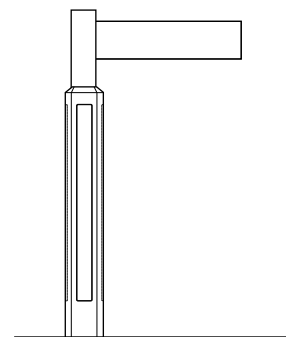
Lincoln Drive

Message Layout B

Washington Drive

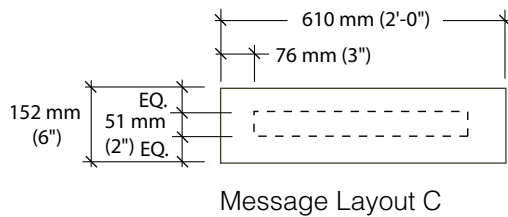
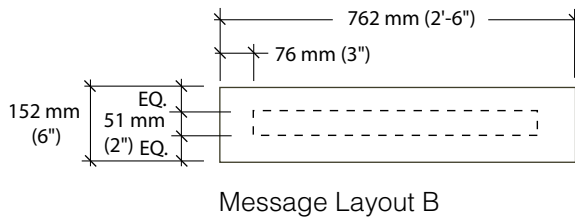
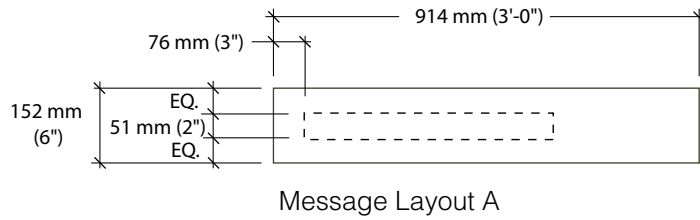
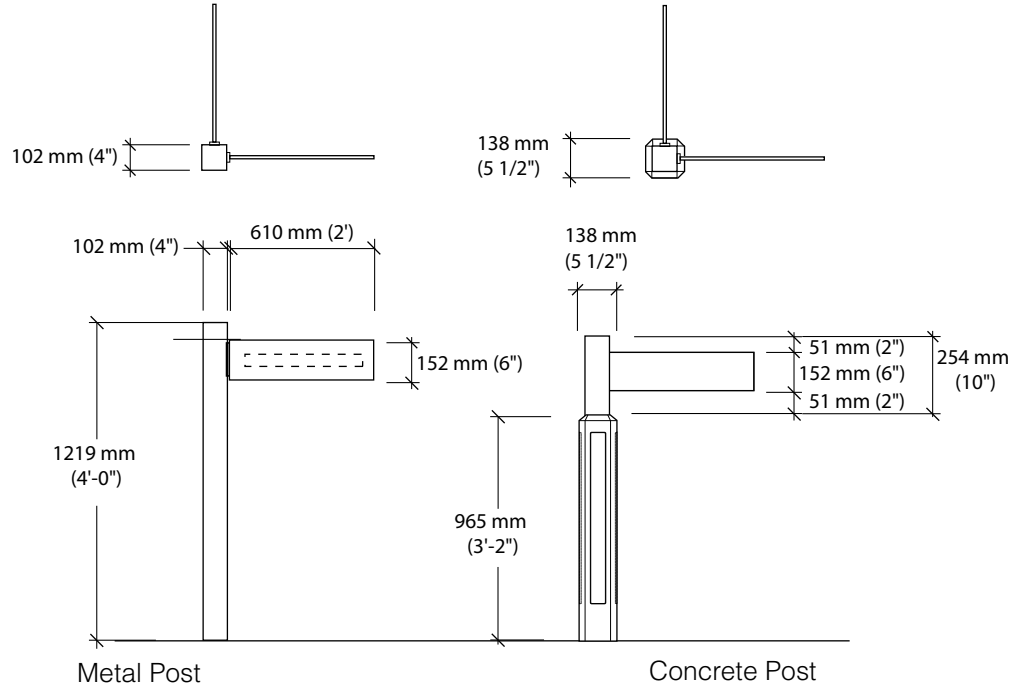


NC-06.02-A-m1



NC-06.02-A-c1&c2

Flag Type Street Sign



Tall Flag Street Sign

Size

Sign Face:
152 mm H x Various Widths
(6" H x Various Widths)

Overall Sign Height:
1829 mm (6' 0")

Description

National Cemetery non-illuminated, post and flag panel street identification sign with messages directed specifically at vehicles.

Message Configuration

(Refer to message layout drawing for dimensions).

Street name will determine panel size. Smaller fonts than shown should not be used because the messages will be unreadable. Larger fonts than shown will result in messages that may not fit on the sign.

Graphic Process

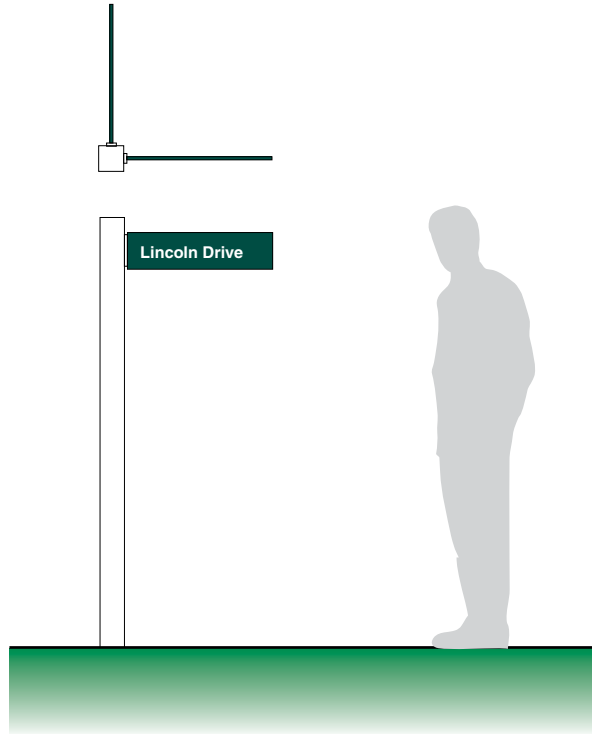
Surface applied reflective vinyl

Colors

Text: White
Background: refer to color chart.
Post: refer to color chart.

Recommendations

Position sign to provide vehicles with a clear, unobstructed view of the sign.



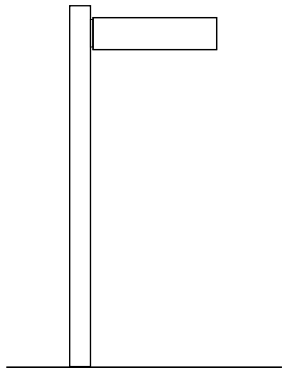
Message Layout A



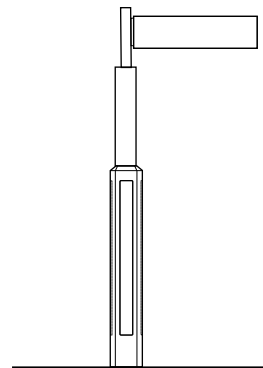
Message Layout C



Message Layout B

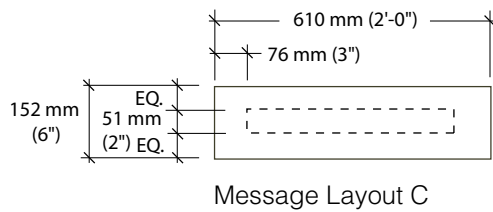
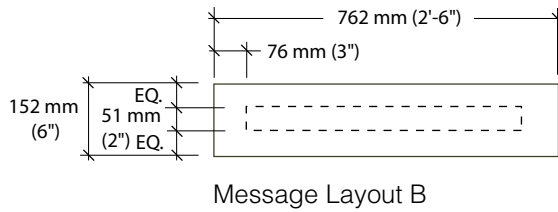
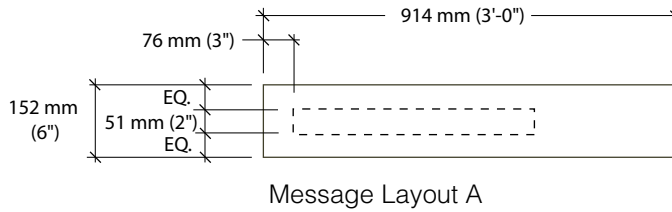
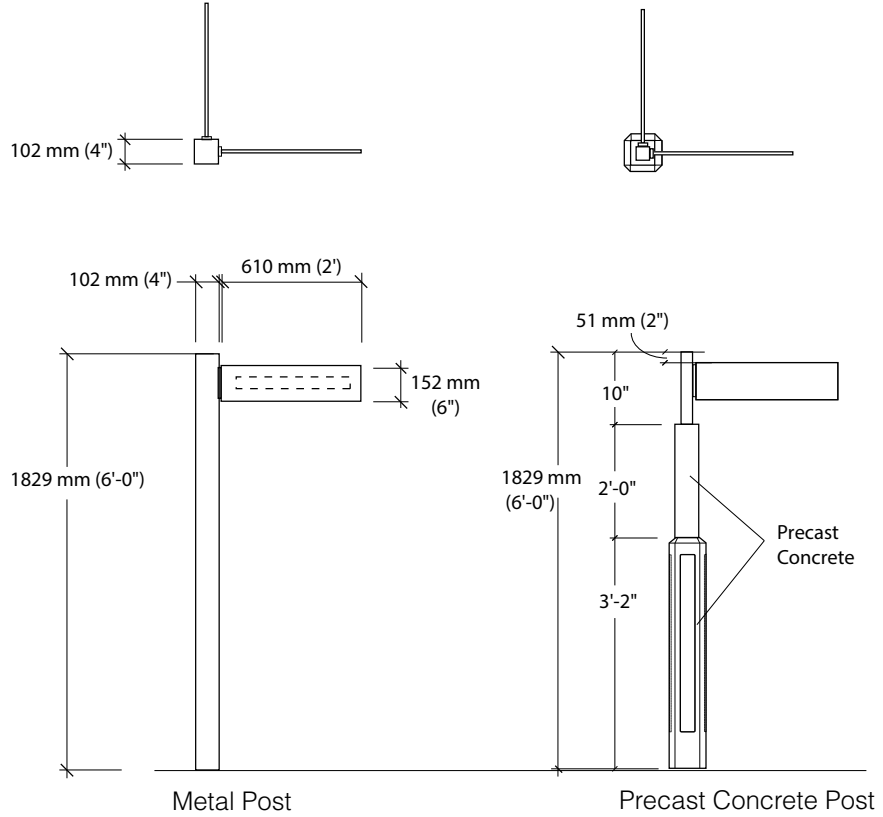


NC-06.03-A-m1



NC-06.03-A-c1&c2

Tall Flag Street Sign



Pylon Section Marker

Size

Overall Sign Height:
407 mm (1' 4")

Sign Face:

203 mm (8" square metal post) or,
190 mm (7 1/2" Square concrete
post with metal panel / insert)

Description

National Cemetery non-illuminated,
pylon sign with messages directed
specifically at pedestrians.

Message Configuration

(Refer to message layout drawing
for dimensions)

Markers can present a maximum of
three characters on a side. Smaller
fonts than shown should not be
used because the messages will
be unreadable. Larger fonts than
shown will result in messages or
text that may not fit on the sign.

Graphic Process

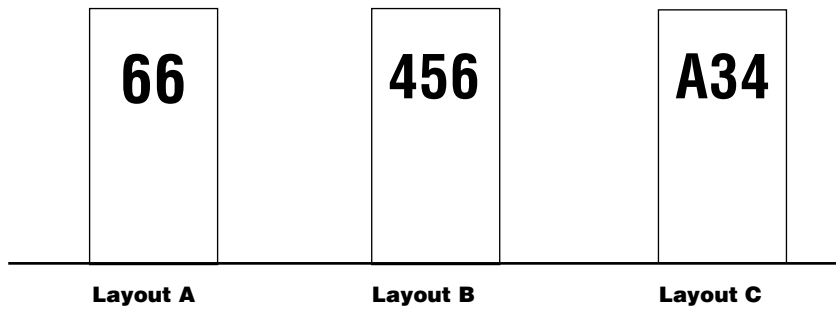
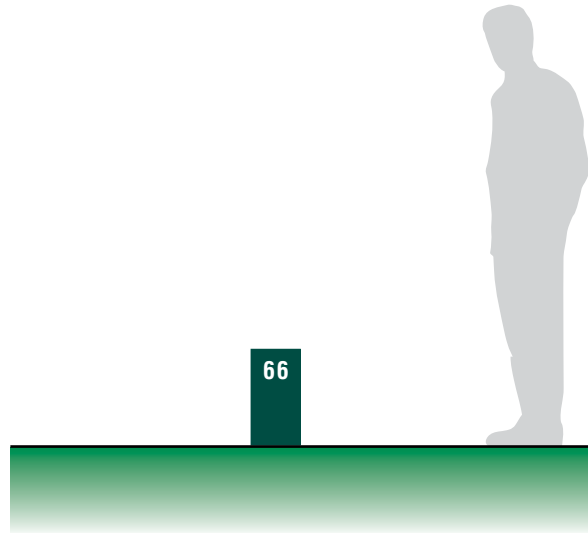
Surface applied reflective vinyl

Colors

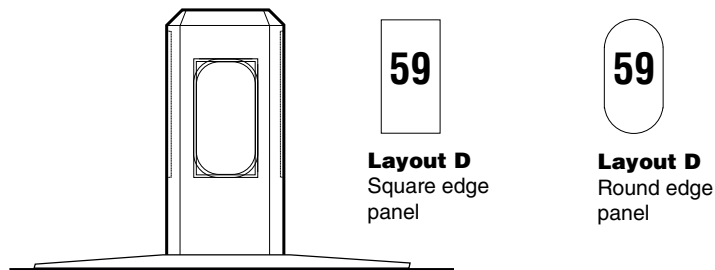
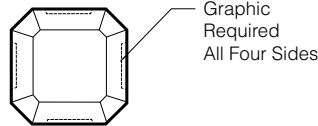
Text: White
Background: refer to color chart.
Post: Refer to color chart.

Recommendations

Position sign to provide vehicles
and pedestrians with a clear,
unobstructed view of the sign.

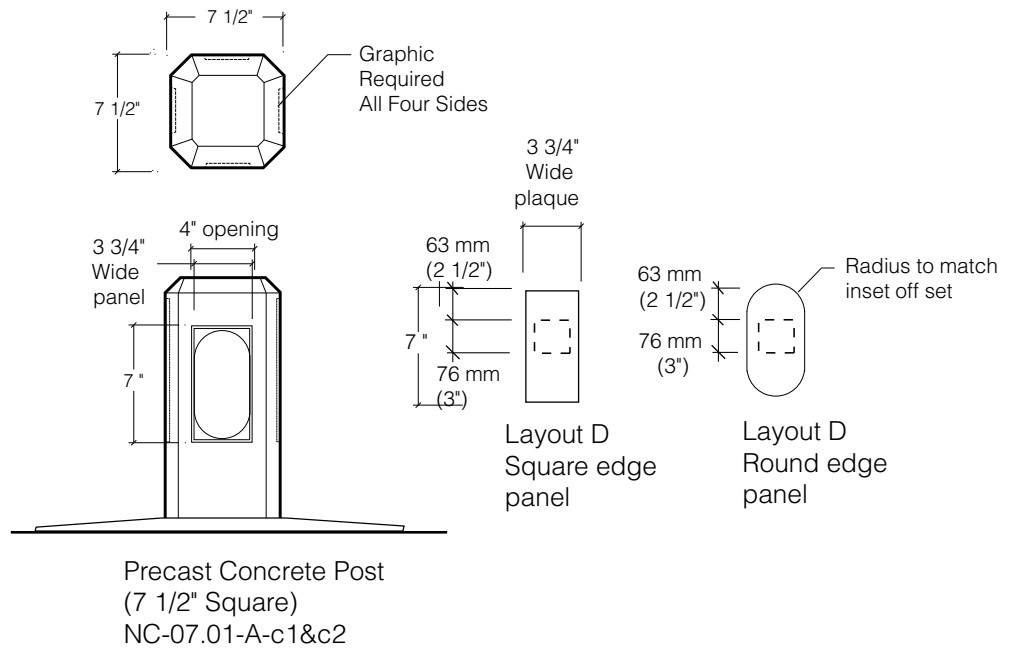
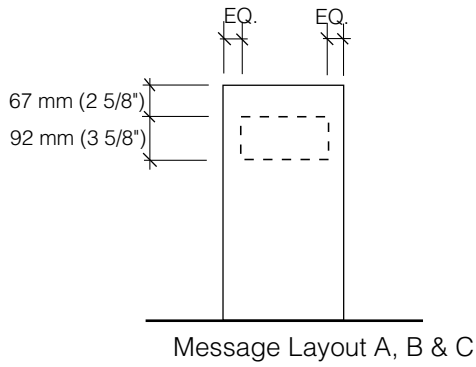
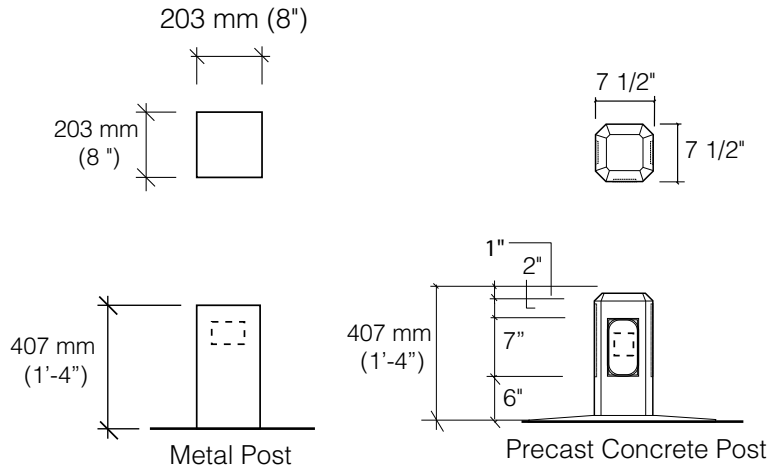


Metal Post (8" Square)
NC-07.01-A-m1



Precast Concrete Post
(7 1/2" Square)
NC-07.01-A-c1&c2

Pylon Section Marker



Faucet Post with Sign Panel

Size

Overall Sign Height:
711 mm (2' 4")

Sign Face:

203 mm (8" square metal post) or,
190 mm (7 1/2" Square concrete
post with metal panel insert)

Description

National Cemetery non-illuminated,
pylon sign with messages directed
specifically at pedestrians.

These posts contain the faucet
for public use to obtain water for
flowers placed in the cemetery.

The posts house the water pipe
and the faucet. The posts are never
used solely as sign posts.

Message Configuration

(Refer to message layout drawing
for dimensions).

Graphic Process

Surface applied reflective vinyl

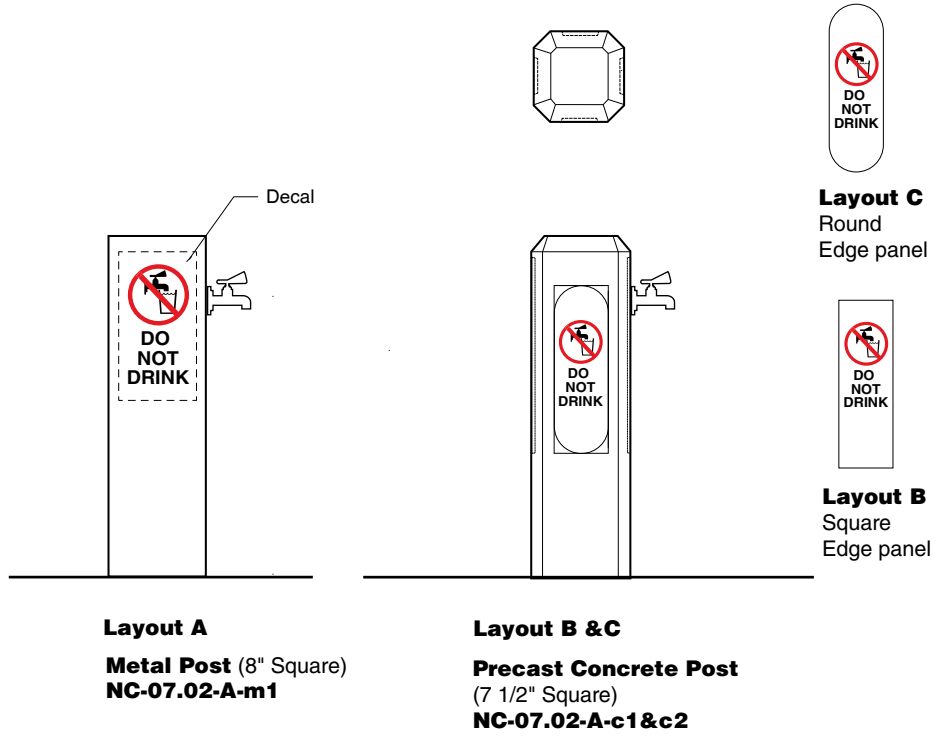
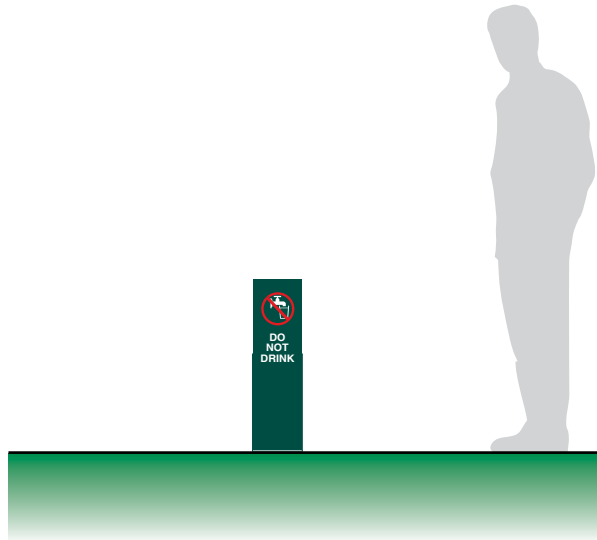
Colors

Text: White
Background: refer to color chart.
Post and Panel: Refer to color
chart.

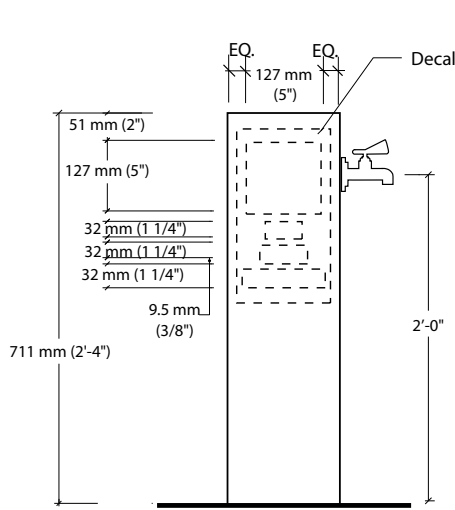
Recommendations

Position sign to provide pedestrians
with a clear, unobstructed view of
the sign.

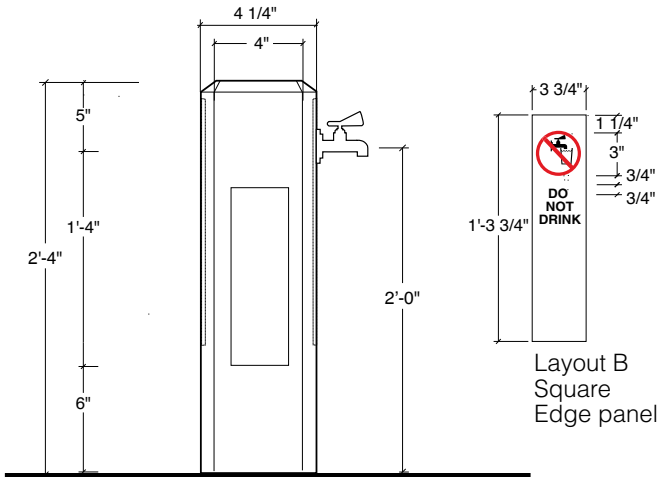
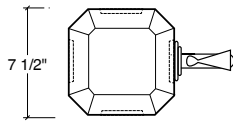
Surround post with gravel opening
to prevent splash from faucet.



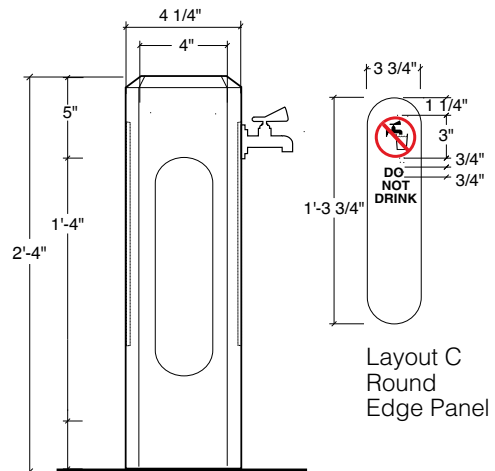
Faucet Post with Sign Panel



Message Layout A



Layout B
Precast Concrete Post
(7 1/2" Square)
NC-07.02-B-c1



Layout C
Precast Concrete Post
(7 1/2" Round)
NC-07.02-C-c2

Standard Granite Section Marker

Size

Overall Sign Dimensions:
 H: 607 mm (2' 0")
 W: 152 mm (6")
 D: 152 mm (6")

Sign Face:

203 mm x 152 mm (8" x 6")

Description

National Cemetery granite section marker.

Honed smooth inscription face, all other surfaces to be smooth saw-cut finish.

All corners and edges including 2" below ground level shall be rounded to 3/8" radius.

Message Configuration

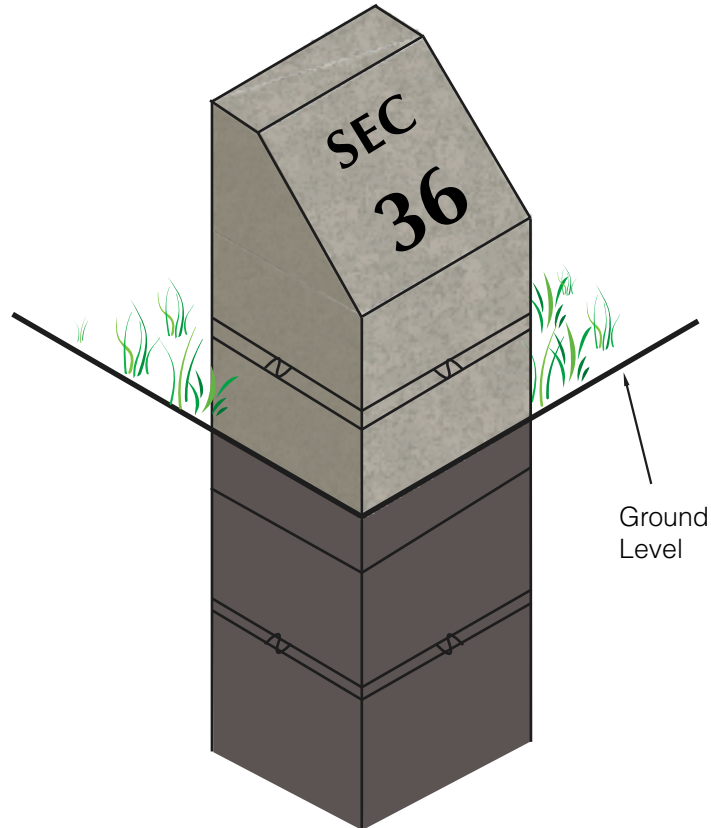
(Refer to message layout drawing for dimensions).

Graphic Process

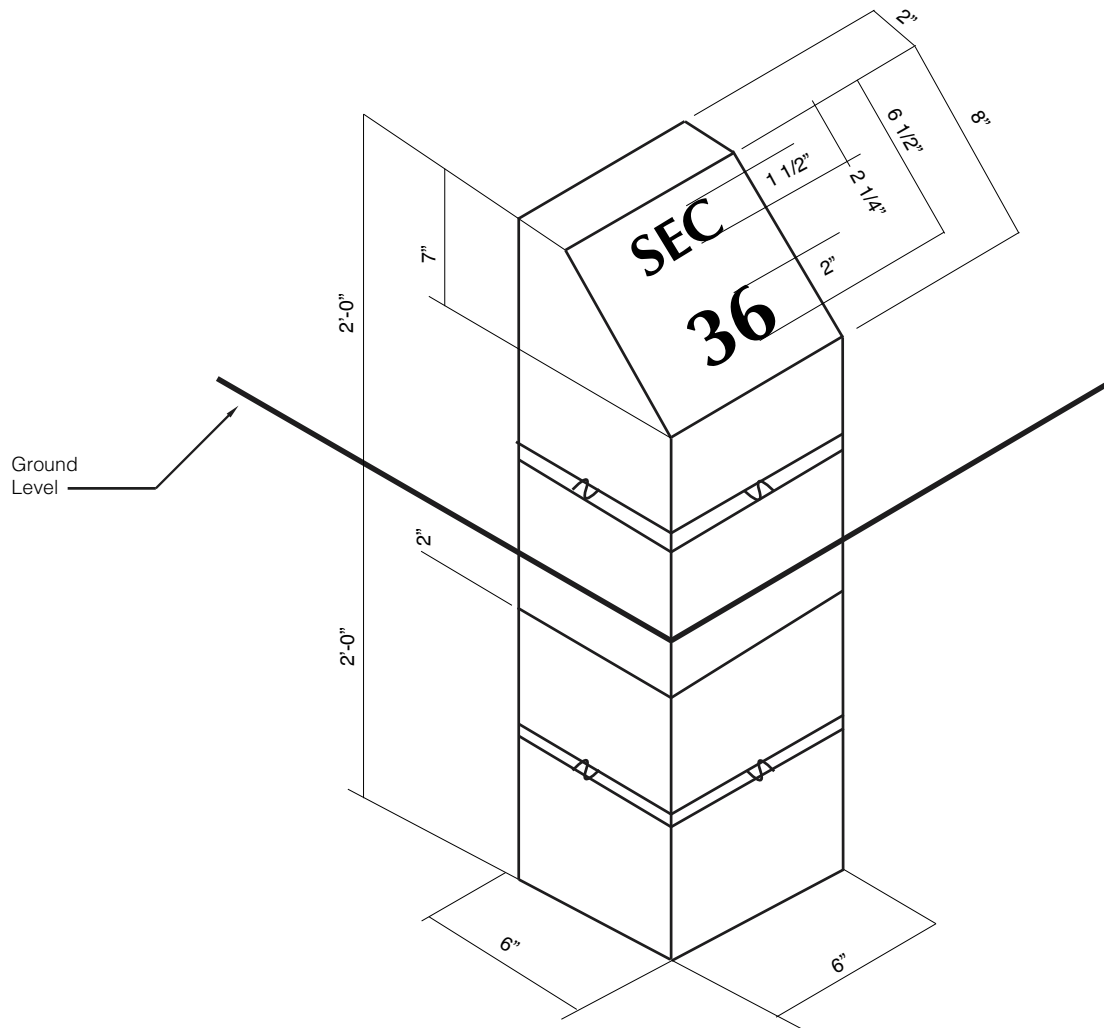
"SEC" shall be engraved letters; 1 1/2" ht., 3/15" depth, 3/16" stems & bars; text for section ID numbers shall be as shown on plan, approved by the VA & be engraved 2" ht., 3/16" depth, 3/8" stems & bars.

Recommendations

Position sign to provide pedestrians with a clear, unobstructed view of the sign.



Standard Granite Section Marker



Wall Sign - Small

Size

305 mm H x 457 mm W
(12" H x 18" W)

Description and Use

This sign has applied graphics and is informational.

Message Configuration

(Refer to layout drawing for lettering sizes and dimensions)
Layout A

Sign Components

Vary by sign system.

Graphic Process

Applied graphics

Colors

Text: refer to color chart.
Background: refer to color chart.

Typography and Size

Helvetica Bold

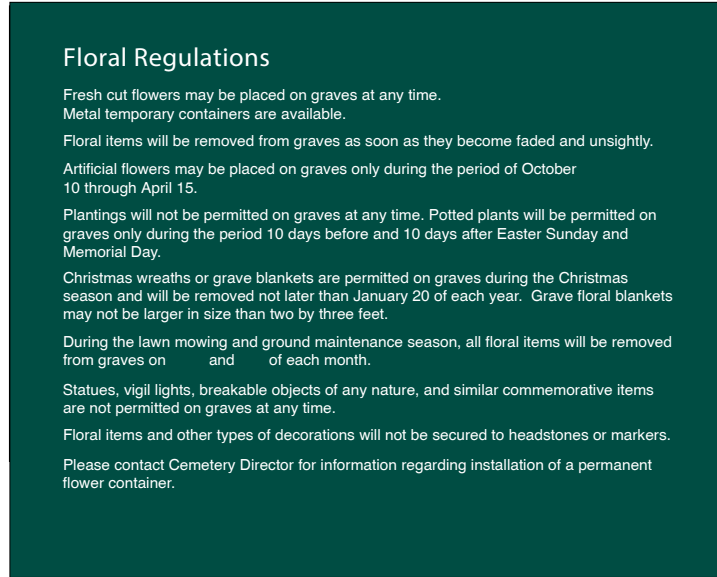
Mounting

Double sided foam tape, silastic adhesive or screw.

Installation

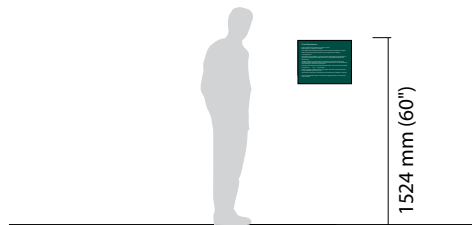
Secure to wall 60" above floor.

NOTE: Text to be verified at time of project / need.



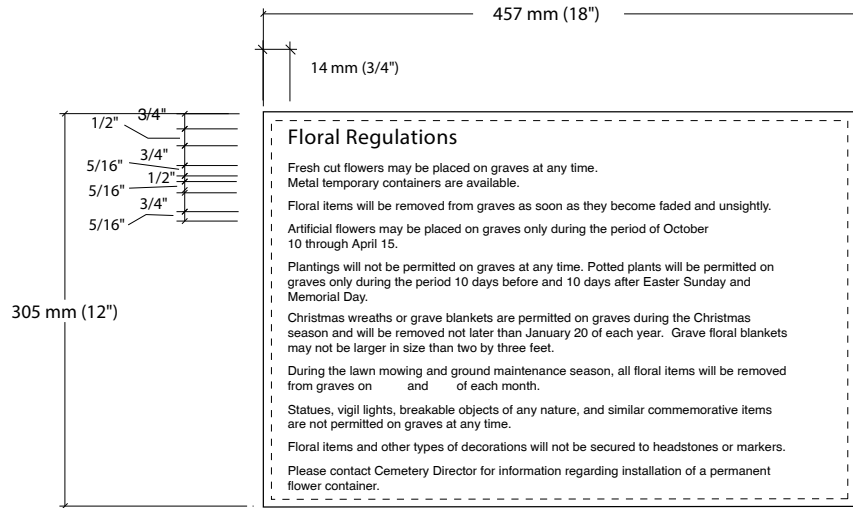
NC-08.01

A- Layout Floral Regulations



Wall mounted

Wall Sign - Small



Message Layout A

Incised Letters

Size

NC-09.01: 203 mm H x 13 mm D
(8" H x 1/2" D)

NC-09.02: 254 mm H x 51 mm
(10" H x 2"-0" D)

NC-09.03: 305 mm H x 25 mm D
(12" H x 1" D)

Description

Incised letters cast into wall.

Message Configuration

(Refer to message layout drawing for dimensions) National Cemetery can be one or two lines depending on wall size. Design and fabrication of entry wall by others.

Typography

Times New Roman Regular

Colors

Refer to color chart.

Recommendations

Position sign to provide vehicles and pedestrians with a clear, unobstructed view of the sign. When used on Lithichrome, incised letter size may be considered on a project specific basis.



ABC

**NC-09.01
8" Letter
1/2" Deep**



ABC

**NC-09.02
10" Letter
3/4" Deep**

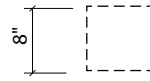


ABC

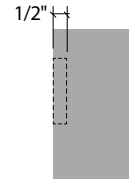
**NC-09.03
12" High Letter
1" Deep**



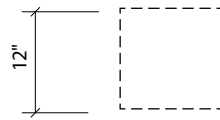
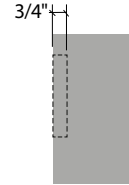
Incised Letters



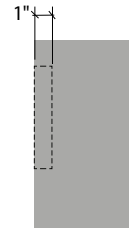
8" Letter
1/2" Deep
NC-09.01



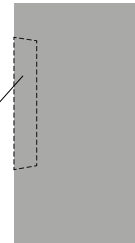
10" Letter
3/4 " Deep
NC-09.02



12 " High Letter
1" Deep
NC-09.03



Letter incised angle can vary.
90° to 5% draft angle determined
by letters size & material



Dimensional Letters

Size

NC10.01: 203 mm H x 38 mm D
(8" H x 1 1/2" D)

NC10.02: 254 mm H x 51 mm D
(10" H x 2" D)

NC10.03: 305 mm H x 64mm D
(12" H x 2.5" D)

Description

Cast metal dimensional letters.
Surface mounted, tight to wall.

Message Configuration

(Refer to message layout drawing for dimensions). National Cemetery may be one or two lines depending on wall size. Design and fabrication of entry wall by others.

Typography

Times New Roman Regular

Colors

Refer to color chart.

Recommendations

Position sign to provide vehicles and pedestrians with a clear, unobstructed view of the sign.



ABC

NC-10.01
8" Letter
1 1/2" Deep



ABC

NC-10.02
10" Letter
2" Deep



ABC

NC-10.03
12" High Letter
2 1/2" Deep



Dimensional Letters

Dimensional Letters/Seal



NC-10.01



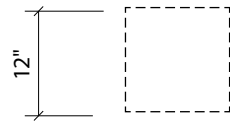
8" Letter
1 1/2" Deep



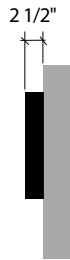
NC-10.02



10" Letter
2" Deep



NC-10.03



12" High Letter
2 1/2" Deep

Dimensional Seal

Size

NC-11.01: Diameter varies as needed for entry wall x 25 mm (1") deep for small diameter plaques and 38 mm (1 1/2") for large diameter plaques.

Description

Cast metal seal inset or applied to entry wall.

Colors

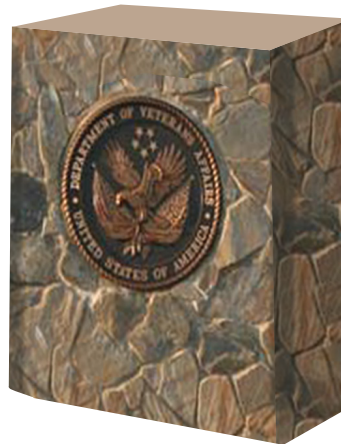
Refer to specifications for bronze.

Recommendations

Position sign to provide vehicles and pedestrians with a clear, unobstructed view of the sign.



**2' Diameter Seal
1" Deep**



VA Seal

Standard size used on entry wall is 2'-0" dia.
 Sizes up to 4'-0" dia. may be considered on project specific basis.
 Bas relief (not flat relief) cast in bronze. Only use VA approved artwork and bronze specifications.

Dimensional Seal



2' Diameter Seal
1" Deep



2' Diameter Seal
1" Deep

Primary Room Identification

Size

152 mm H x 152 mm W
(6" H x 6" W)

Description and Use

This sign must always be tactile and Braille. Use this sign to identify the occupant or activity within a room.

Message Configuration

(Refer to layout drawing for lettering sizes and dimensions)
Layout A is suggested for department identification. Layout B for rooms and departments with long words or names. Layout C for rooms with a common name but are in need of specific identification.

Sign Components

Vary by sign system.

Graphic Process

Tactile raised text and Braille

Colors

Text: refer to color chart.
Background: refer to color chart.

Typography and Size

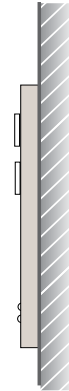
ADA/ABA compliant
Helvetica Bold, Upper Case
Grade 2 Braille

Mounting

Double sided foam tape, silastic adhesive or screw

Installation

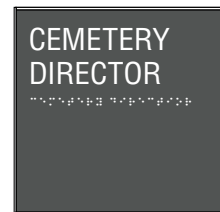
Knob side of door, 1524 mm (60") to top of sign and 51 mm (2") over from door frame.



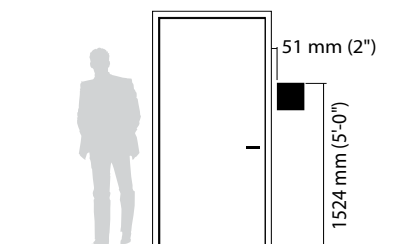
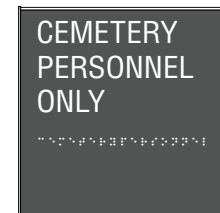
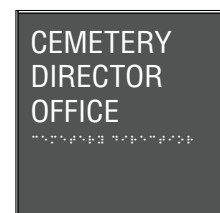
Message Layout A



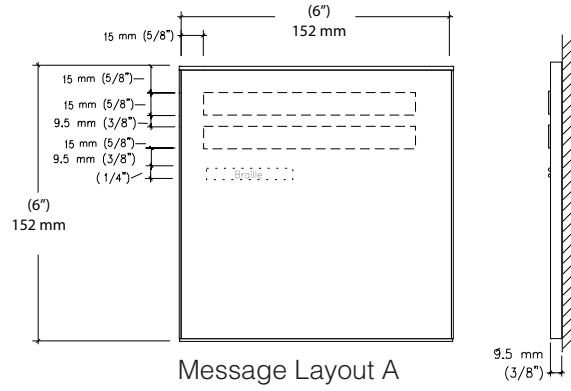
Message Layout B



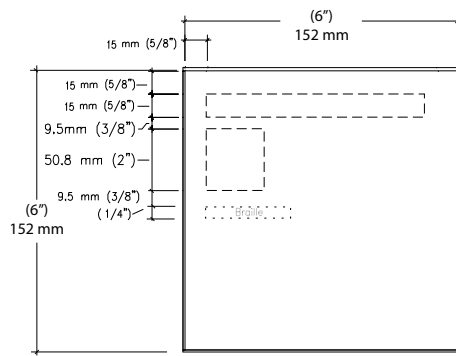
Message Layout C



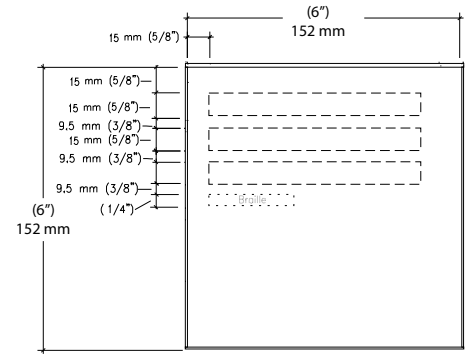
Primary Room Identification



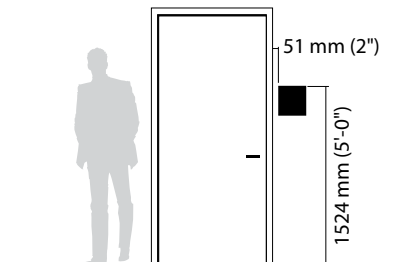
Message Layout A



Message Layout B



Message Layout C



Restroom Identification

Size

203 mm H x 152 mm W
(8" H x 6" W)

Description and Use

Use these signs to inform with a symbol as well as text.

Message Configuration

(Refer to layout drawing for lettering sizes and dimensions).

Sign Components

Acrylic plaque

Graphic Process

Tactile symbol and text with accompanying Braille is required

Colors

Text: refer to color chart.
Background and accent bar: refer to color chart.

Typography and Size

ADA/ABA compliant
Helvetica Bold, Upper Case
Grade 2 Braille

Mounting

Double sided foam tape or silastic adhesive

Installation

On wall or door 1524 mm (60") to top of sign and on door, center.

Recommendations

These signs are for use at restrooms



NC-15.01



NC-15.02



NC-15.03



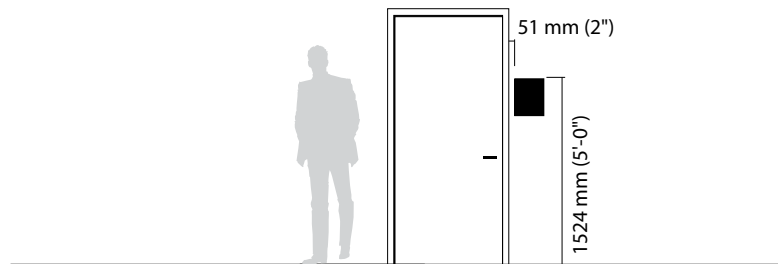
NC-15.04



NC-15.05

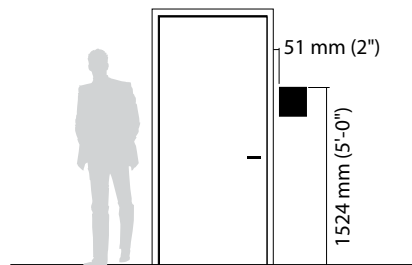
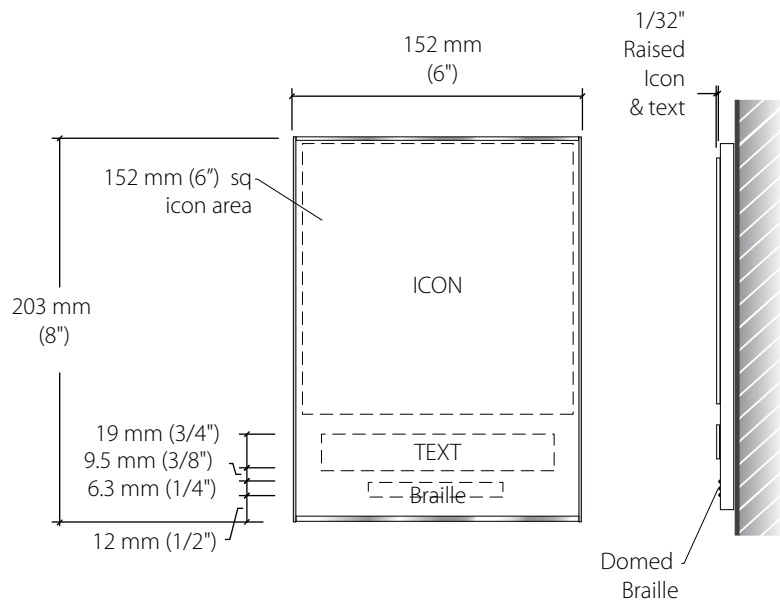


NC-15.06



Wall mounted

Restroom Identification



Pictogram and Symbol Signs

Size

152 mm H x 152 mm W
(6" H x 6" W)

Description and Use

Use these signs to inform with a symbol as well as text.

Message Configuration

(Refer to layout drawing for lettering sizes and dimensions)

Sign Components

Acrylic plaque

Graphic Process

Silk-screened or surface applied vinyl

Colors

Background & Text: refer to Interior color chart.

Typography

Helvetica Bold

Mounting

Double sided foam tape or silastic adhesive

Installation

On wall or door 1524 mm (60") to top of sign and centered on door.

Recommendations

These signs are for use when a symbol will help communicate.



NC-16.01



NC-16.02



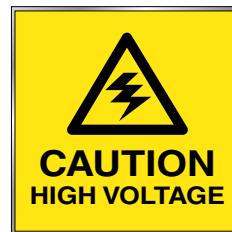
NC-16.03



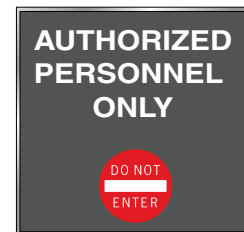
NC-16.04



NC-16.05



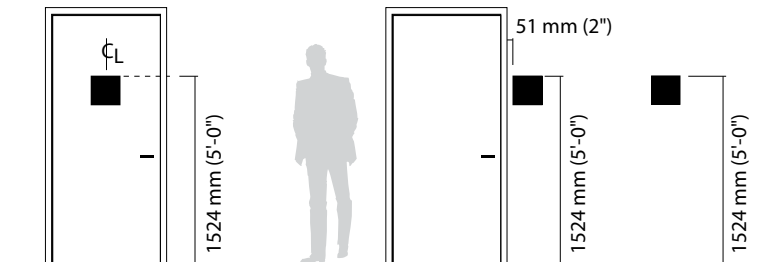
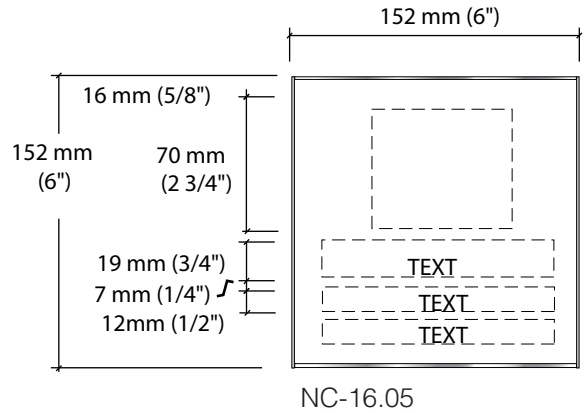
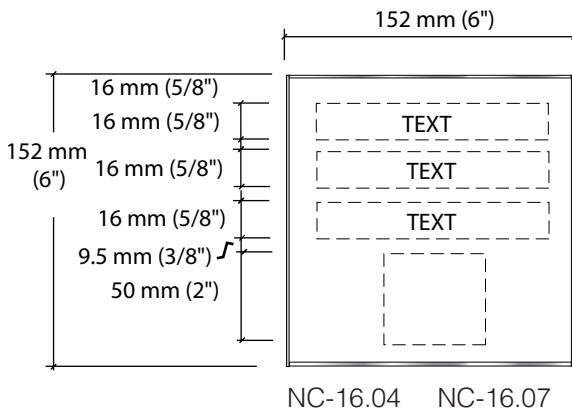
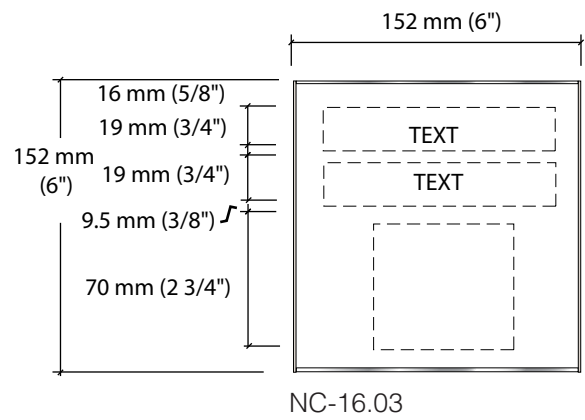
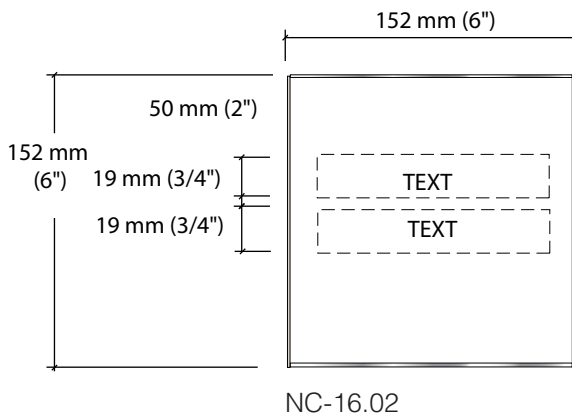
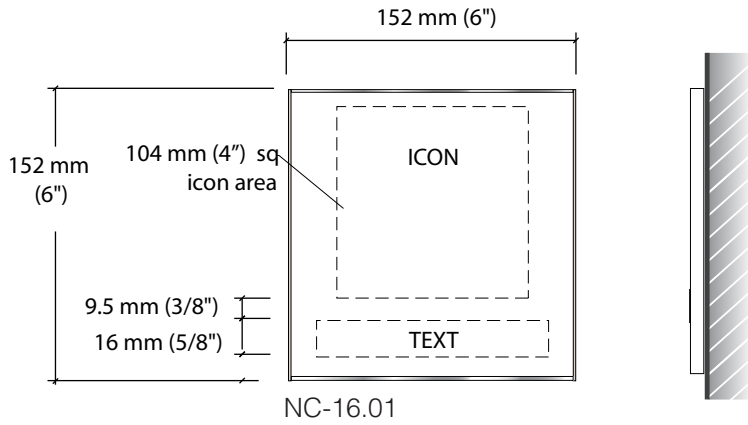
NC-16.06



NC-16.07



Pictogram and Symbol Signs



The specifications for signs are available in the Master Construction Specifications (PG-18-1) area of the VA Technical Information Library which is available on the VA web site under Office of Construction & Facilities Management.

www.cfm.va.gov/til/

Refer to Signage in the specifications, Division 10, Section 10 14 00.

For more information regarding specifications, contact the Office of Construction & Facilities Management, Facility Standards Service.

This page is intentionally left blank.

The installation of exterior signs throughout a cemetery requires coordination of several criteria and objectives. Careful consideration should be given to the following in the development of a coordinated sign program. These elements help establish the basis of a clear sign program:

- Character and configuration of the roadway system.
- Desired path of travel on the roadway system for visitors, staff, and deliveries.
- Location of buildings on the cemetery in relation to roads, parking, and walkways.
- Location of building entrances.
- Inclement weather, such as wind, rain, or snow.
- Utilities and landscaping.
- Placement of signs in locations where people are expecting them to be.

Visibility

Exterior signs communicate to both drivers and pedestrians and their placements must be planned considering the intended viewer. Sign visibility to the user is a principal objective, which is the basis of correct sign placement.

Readability

Signs that are to be read from a moving car must be installed in locations that provide for clear readability without obstructions. Equally important is that the installation of signs must consider the potential effects on drivers. Signs with too much information or too small font size can cause a driver to stop, or slow, creating a traffic hazard.

Coordination

Coordination must consider irrigation systems, landscaping and underground utilities.

Climate

Each site has different climate conditions which effect an exterior sign program. Wind load on signs affects the footing requirements. Considerations for snowfall and frost line will have an affect upon post length and footing depth.

Footings

Within the installation section of the Guide, general information provides assistance in determining the size and type of footing for various signs. For site identification signs, structural engineering may be required to confirm the footing size for a sign in a specific condition at a particular location. Monument signs should have their bases designed by a structural engineer to ensure the signs can withstand wind loads at a particular location.

Mounting

Sign mounting methods have been standardized to create visual uniformity for all signs placed around a facility. Mounting heights and locations have been determined for ease of reading and conformance to ADA/ABA requirements.

There are two principal methods of mounting signs. These are:

- Ground Mounted: Placing a sign panel on one or more posts fixed in the ground.
- Wall Mounted: Placing a sign on a vertical surface such as a wall, fence, or on a door.

Detail 1

Precast Concrete Double Post and Panel

Size

Post size:
140 mm (5 1/2" square double post). Height to vary as needed

Description and Use

Post support for sign

Sign Components

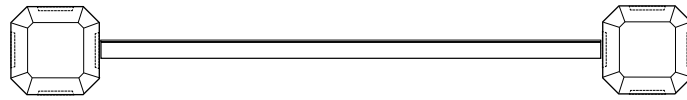
Use with 1" square framed sign panels.

Colors

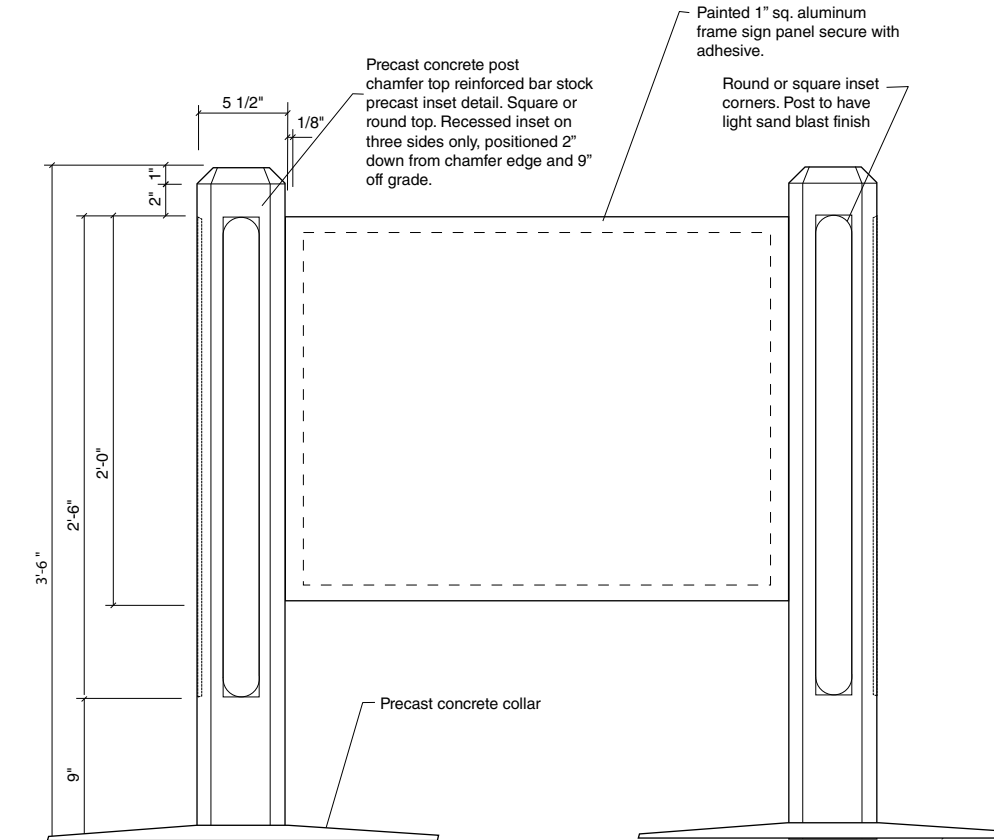
Precast concrete

Installation

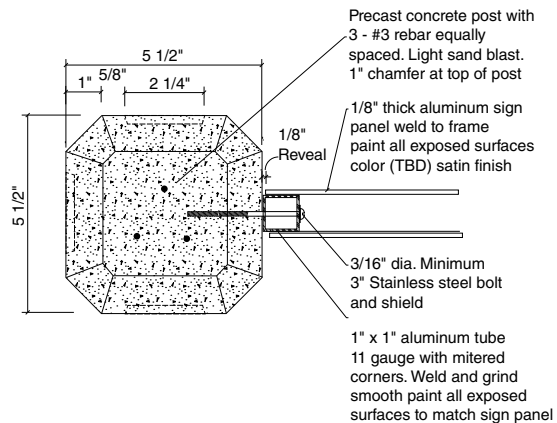
In ground installation in accordance with local jurisdiction guidelines



PLAN - Sign Panel Finish both sides



ELEVATION - Precast Concrete Post & Panel



Detail 2

Precast Concrete Single Post and Panel

Size

Sign Post size 190 mm (7 1/2" square). Height to vary as needed.

Description and Use

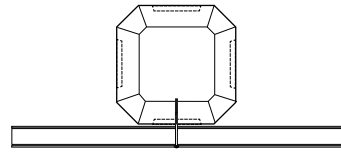
Post support for sign

Colors

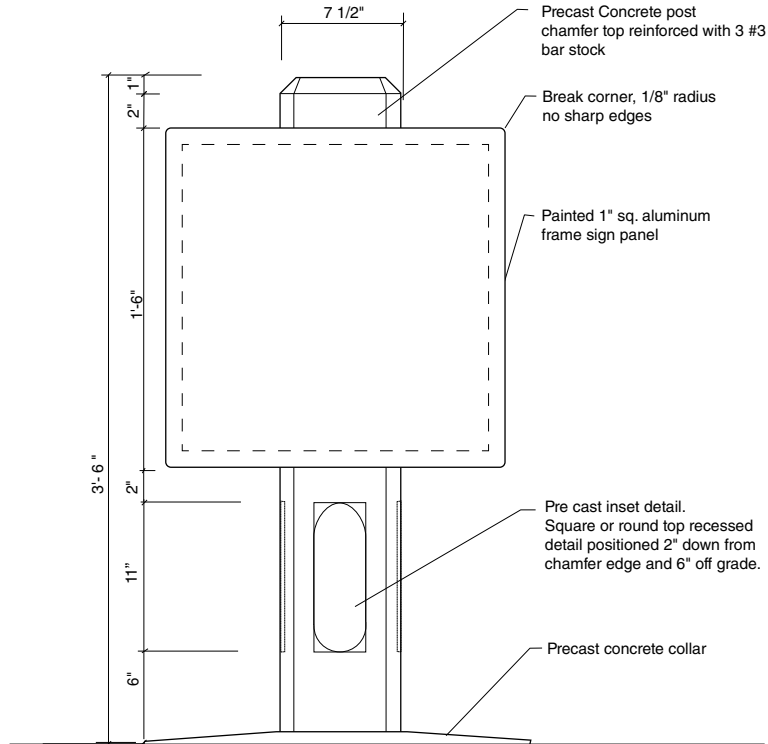
Precast concrete

Installation

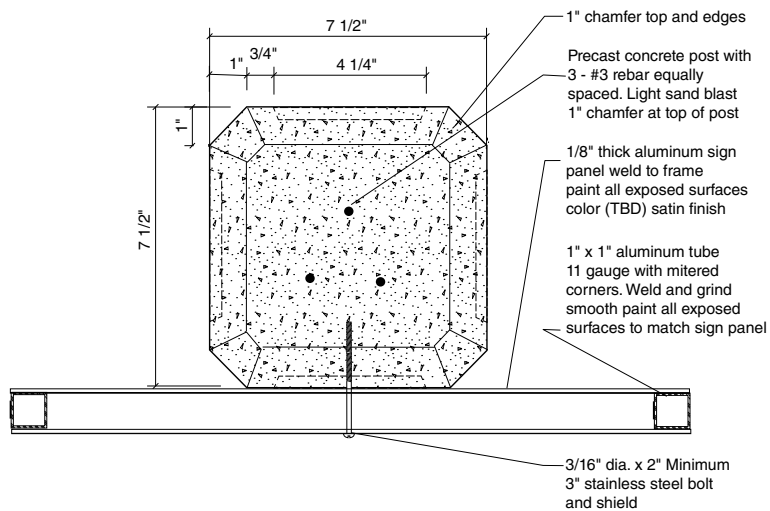
In ground installation in accordance with local jurisdiction guidelines



PLAN - Double Sign Panel



ELEVATION - Precast Concrete Single Post



Detail 3

Precast Concrete Street Sign Tall Post

Size

Sign Post size 140 mm
(5 1/2") square 6'-0" height

Description and Use

Post support for street sign

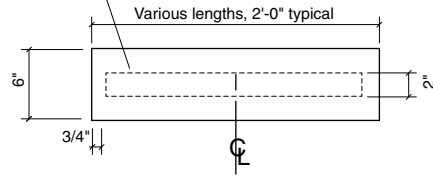
Colors

Precast concrete

Installation

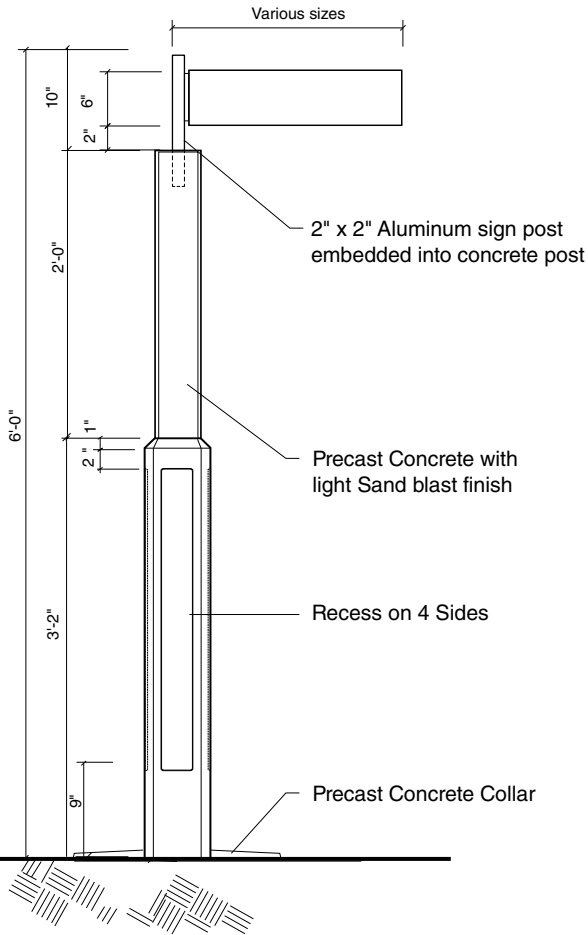
In ground installation in accordance with local jurisdiction guidelines

Painted Aluminum panel with reflective white vinyl text 2" height



Provide 2 1/2" x 2 1/2" painted aluminum cover plate.

1/8" thk painted aluminum sign panel attach to aluminum tube with stainless steel bolts paint all exposed surfaces satin finish.



Street Sign Post
NC-15.10

Detail 4

Bronze VA Seal

Size

size 609 mm (2') diameter

Description and Use

Identifies National Cemetery as a US Government Facility

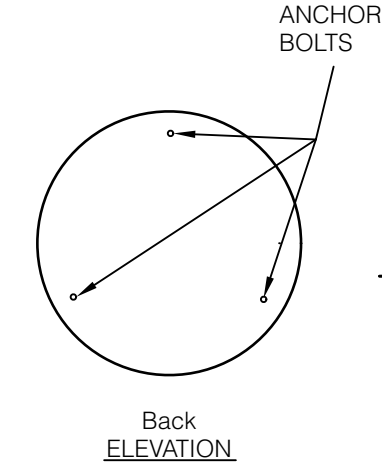
Sign Components

Used with dimensional or Incised letters

Material

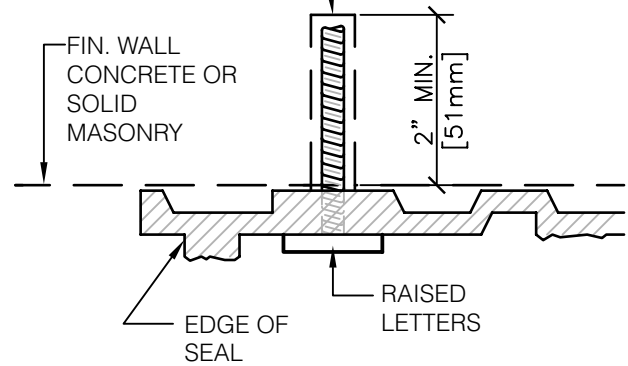
The plaque shall be cast of a lead free tin bronze, such as C90300 (Navy "G" Bronze) or similar alloy approved by VA.

Bas relief casting based on VA Drawing, shall be of uniform quality and condition, free from injurious blow holes and porosity, cracks and other defects and not warped or distorted, well finished, free from burrs, sharp edges, scratches and defects that may affect appearance or service ability. Casting shall not be repaired, plugged, welded or burned. Finish to be detailed, hand chased for true alignment, filed, belt polished, sides ground smooth, raised surfaces and borders to be polished and buffed to a bright satin finish, background textures to be reverse medium pebble background, fine pebble background, moss as cast. Bronze to be chemically oxidized to a statuary medium color and finish with one coat of clear protective exterior metal lacquer. Fasteners to be corrosion resistant metal compatible with material or casting



DRILL (3) - 1 1/2" [38mm] ROUND HOLES. MOUNT SEAL ON SOLID MASONRY OR CONCRETE. ANCHOR WITH NON-SHRINK MORTAR.

3/8" [10mm] THREADED BRONZE STUDS, SCREW INTO SOLID METAL PORTION AT BACK OF SEAL.



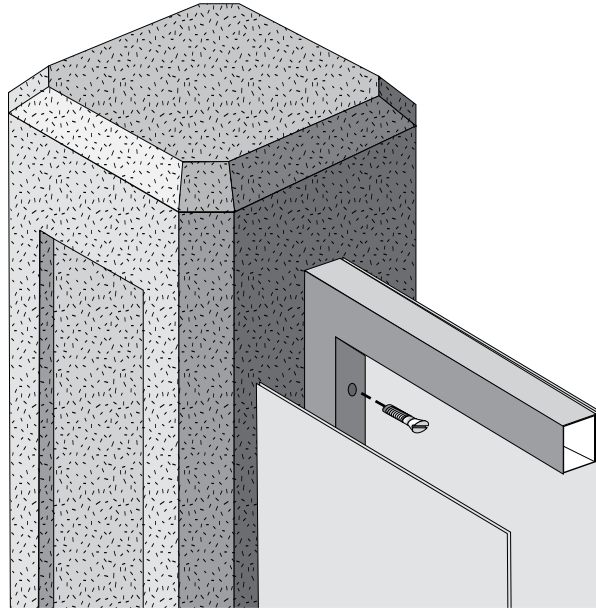
GENERAL NOTES:

1. SEALS LOCATION SHOULD BE TAKEN FROM CONTRACT DRAWINGS.
2. 2'-0" DIA. UNLESS OTHERWISE DETERMINED
3. MATERIAL IS CAST BRONZE.
4. DETAIL OF ANCHORAGE MUST BE PROVIDED BY A/E FOR ANCHORAGE IN ANY MATERIAL OTHER THAN SOLID MASONRY OR CONCRETE.

Detail 5

Precast Post and Panel

Sign is precast concrete post of required height and width either 5-1/2" square or 7 1/2" square. 1" sq. framed panel either double sided or single sided depending on the sign type. Precast collar is used to create mow base.

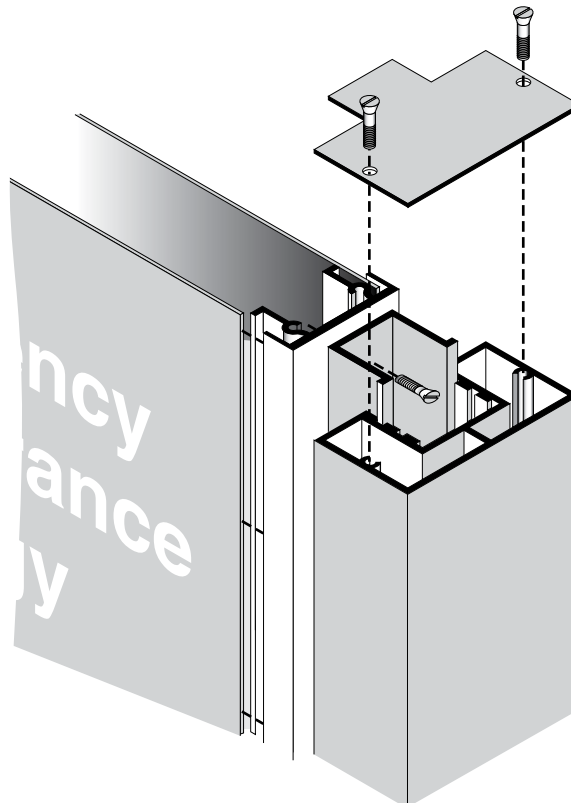


Detail 6

Metal Post and Panel sign

Sign is constructed with a non-illuminated sign cabinet mounted to extruded aluminum posts with an adjustable reveal between the posts and the cabinet.

The sign cabinet extrusion should have the capability to hold the sign faces and allow for the removal and replacement of faces without total sign disassembly or abandonment of the sign.

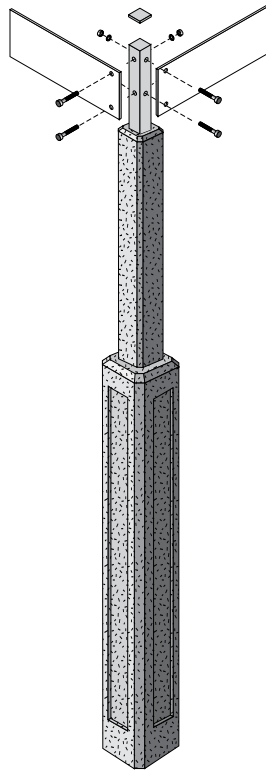


Detail 7

Precast Street sign

Aluminum sign panel mounted to a square aluminum post with tamper proof mechanical fasteners. Set in to precast concrete post.

Sign panels have the corners eased with a 6 mm (1/4") radius. The post shall have a permanent top cap.

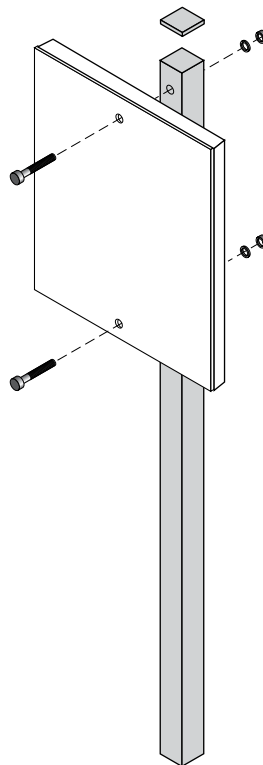


Detail 8

Single Post and Panel sign

Aluminum sign panel mounted to a square aluminum post with tamper proof mechanical fasteners.

Sign panels have the corners eased with a 6 mm (1/4") radius. The top of the post shall be closed with a permanently applied top cap.



The installation of exterior signs throughout a cemetery requires coordination of several criteria and objectives. Careful consideration should be given to the following in the development of coordinated sign program. These elements help establish the basis of a clear sign program:

- Character and configuration of the roadway system.
- Desired path of travel on the roadway system for visitors, staff, and deliveries.
- Location of buildings on the cemetery in relation to roads, parking, and walkways.
- Location of building entrances.
- Inclement weather, such as wind, rain, or snow.
- Utilities and landscaping.
- Placement of signs in locations where people are expecting them to be.

Visibility

Exterior signs communicate to both drivers and pedestrians and their placements must be planned considering the intended viewer. Sign visibility to the user is a principal objective, which is the basis of correct sign placement.

Reability

Signs that are to be read from a moving car must to be installed in locations that provide for clear readability without obstructions. Equally important is that the installation of signs must consider the potential effects on drivers. Signs with too much information or too small font size can cause a driver to stop, or slow, creating a traffic hazard.

Coordination

Coordination must consider irrigation systems, landscaping and underground utilities.

Climate

Each site has different climate conditions which effect an exterior sign program. Wind load on signs affects the footing requirements. Considerations for snowfall and frost line will have an affect upon post length and footing depth.

Footings

Within the installation section of the Guide, general information provides assistance in determining the size and type of footing for various signs. For site identification signs, structural engineering may be required to confirm the footing size for a sign in a specific condition at a particular location. Monument signs should have their bases designed by a structural engineer to ensure the signs can withstand wind loads at a particular location.

Mounting

Sign mounting methods have been standardized to create visual uniformity for all signs placed around a facility. Mounting heights and locations have been determined for ease of reading and conformance to ADA/ABA requirements.

There are two principal methods of mounting signs. These are:

- Ground Mounted: Placing a sign panel on one or more posts fixed in the ground.
- Wall Mounted: Placing a sign on a vertical surface such as a wall, fence, or on a door. Each type of sign utilizes a mounting method appropriate to the viewing requirements.

During the course of installation, always ensure the signs are positioned with a clear line-of-sight from the viewing point to the sign face.

Planning

A sign program, that works well, is one that has been planned as an integrated whole. From the main identification sign, to visitor information, directional signs, burial section markers, street signs and building identification, all components must be considered and their "place" within the wayfinding system. Proper placement as well as consistent design, consistent and appropriate messages are all part of a well-planned signage program.

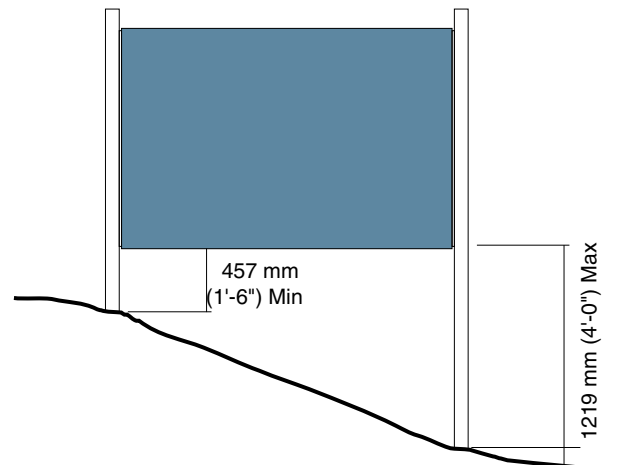
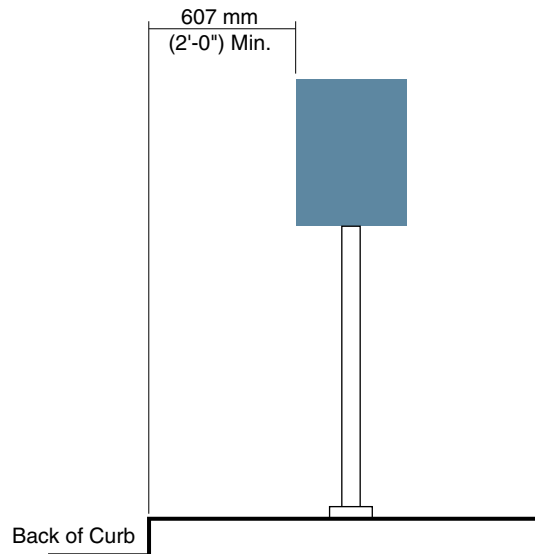
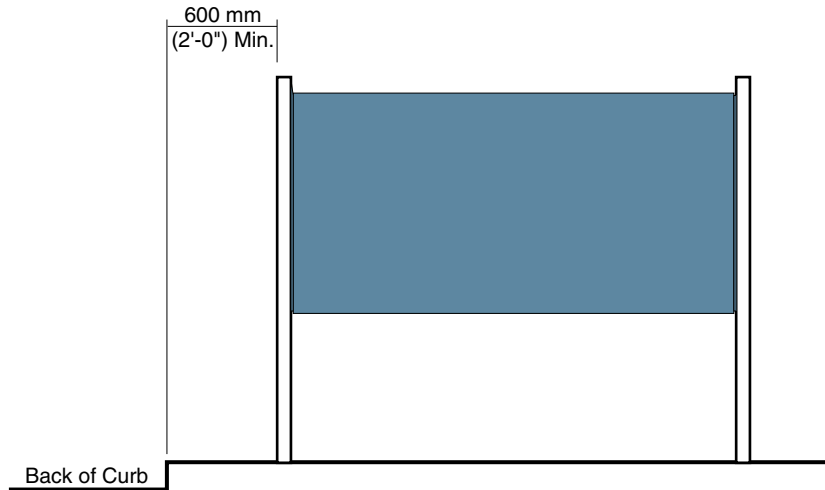
Detail 8

Placement:
Ground Mounted Signs

All signs should be located a minimum of 607 mm (2'-0") from a curb. The exact location of a sign will differ depending on the type of sign and site conditions.

Sign placement must be carefully considered to ensure the sign fits the location without major regrading. It may be necessary to clear some landscaping or remove an obstruction.

When ground mounted signs on two posts are placed on sloping or inclined grades, adjustments must be made to the post lengths. Extreme differences between post lengths should be minimized.



Detail 9

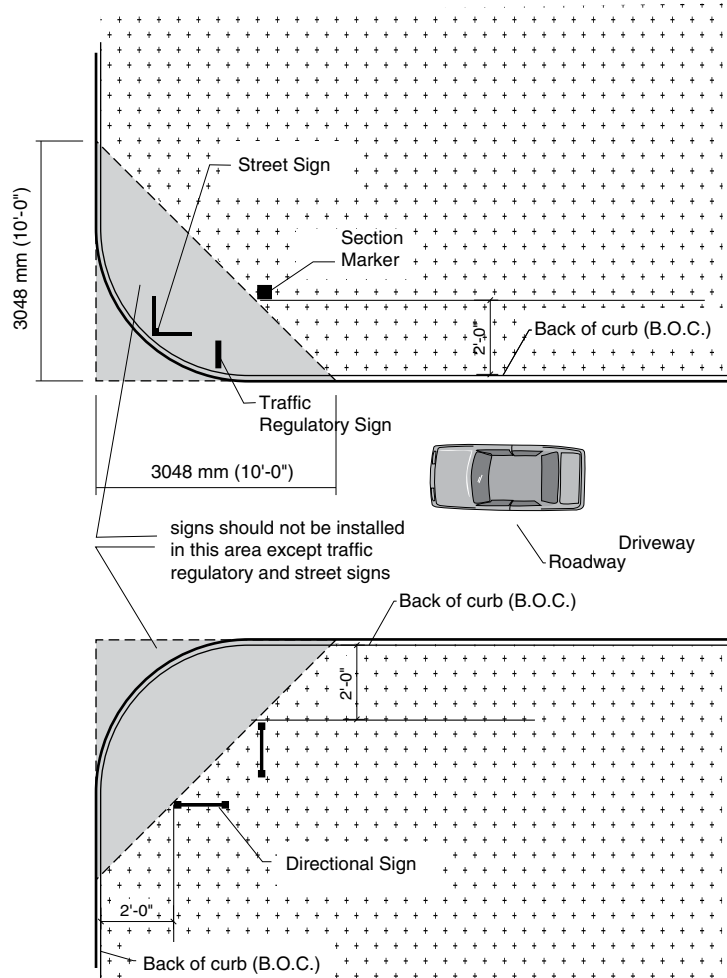
Placement:
Sight Triangle at Intersections
and Driveways

For safety reasons, signs should not be placed in the sight triangle (shaded area) where they could obscure a driver's vision. Also, ensure the location of a sign does not block a driver's vision of pedestrians.

Ensuring that there are no signs in the sight triangle applies to roadway intersections as well as driveways.

Traffic regulatory signs such as Stop, Yield, Street, and Pedestrian Crossing are an exception to this rule.

When installing signs adjust locations for utilities, irrigation lines and street trees.



Detail 10

Metal Post Footings:

All footings must meet width and depth requirements to accommodate height and size of sign, soil conditions, wind loads and winter ground freezing.

Style 1

Permanent installation in landscaped areas: Signs installed in turf should have the raised concrete collar extended to cover the area between posts.

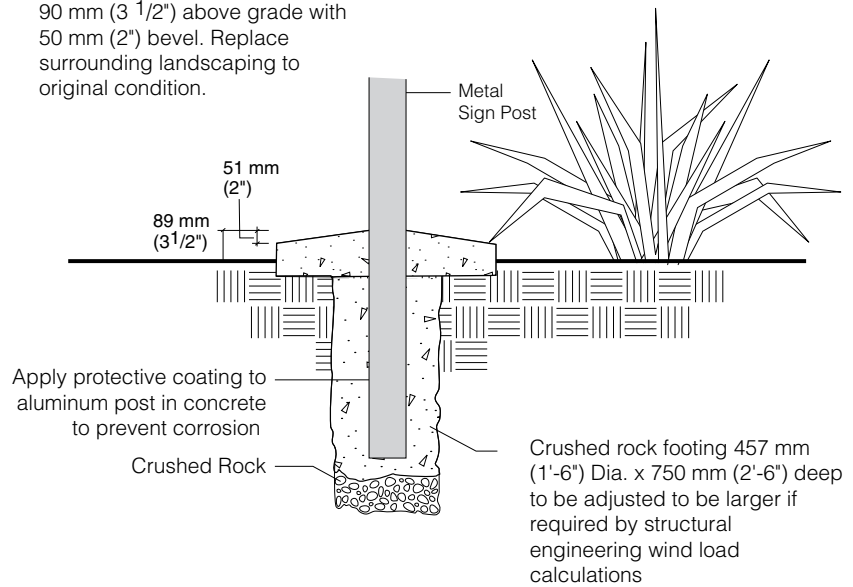
Style 2

Walkway installation. Location which requires post base to be flush with paving material.

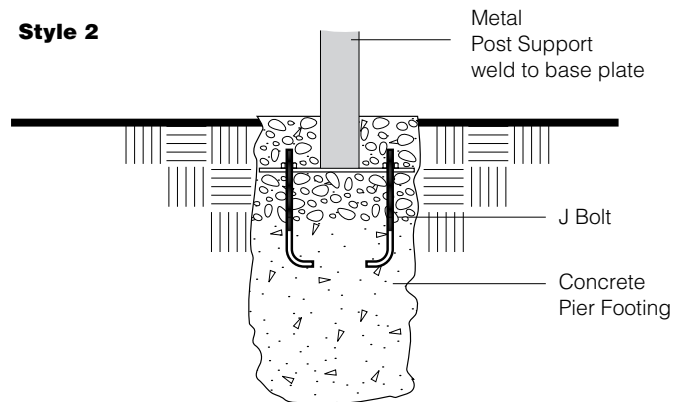
NOTE; Foundation and footings must extend to frost line.

Style 1

In landscaped areas, footing shall be boxed so as to extend 90 mm (3 1/2") above grade with 50 mm (2") bevel. Replace surrounding landscaping to original condition.



Style 2



Detail 11

Concrete Post Footing:

All footings must meet width and depth requirements to accommodate height and size of sign, soil conditions, wind loads, and winter ground freezing.

Style 3

Permanent collar cast in place installation in landscaped areas.

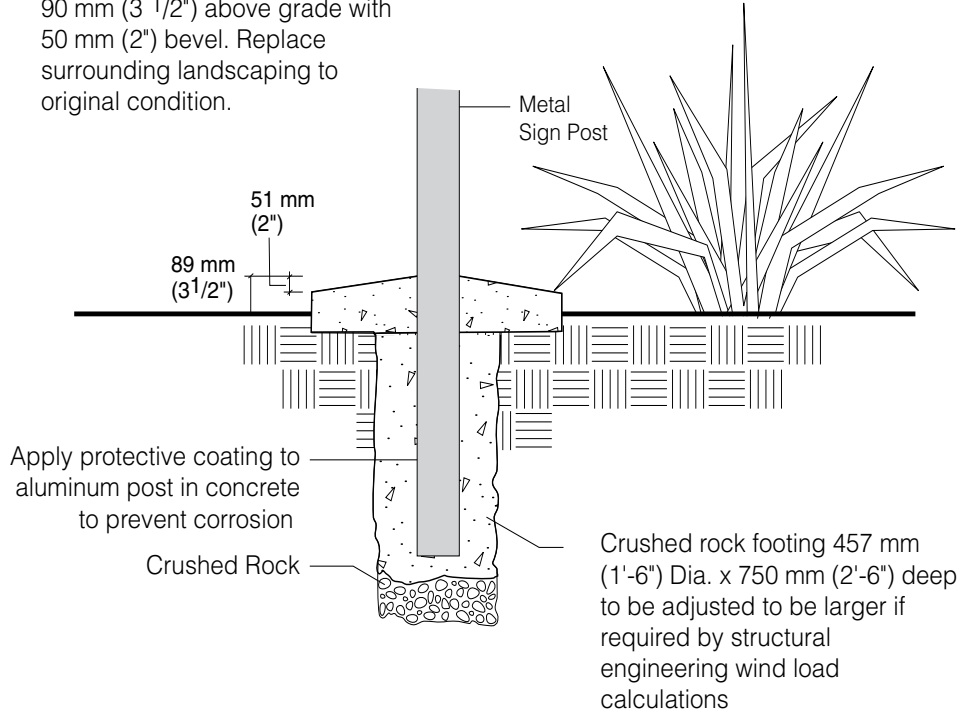
Signs installed in turf to have the raised concrete collars extended to cover the area between the posts.

Style 4

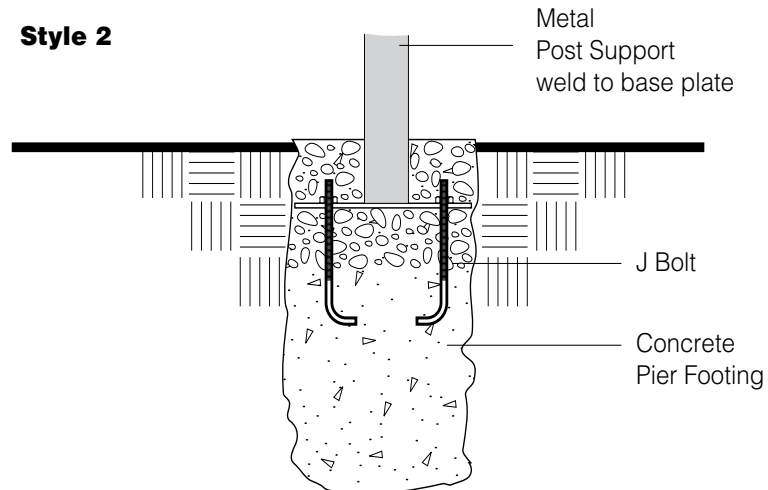
Permanent installation for precast concrete post and collars.

Style 1

In landscaped areas, footing shall be boxed so as to extend 90 mm (3 1/2") above grade with 50 mm (2") bevel. Replace surrounding landscaping to original condition.



Style 2



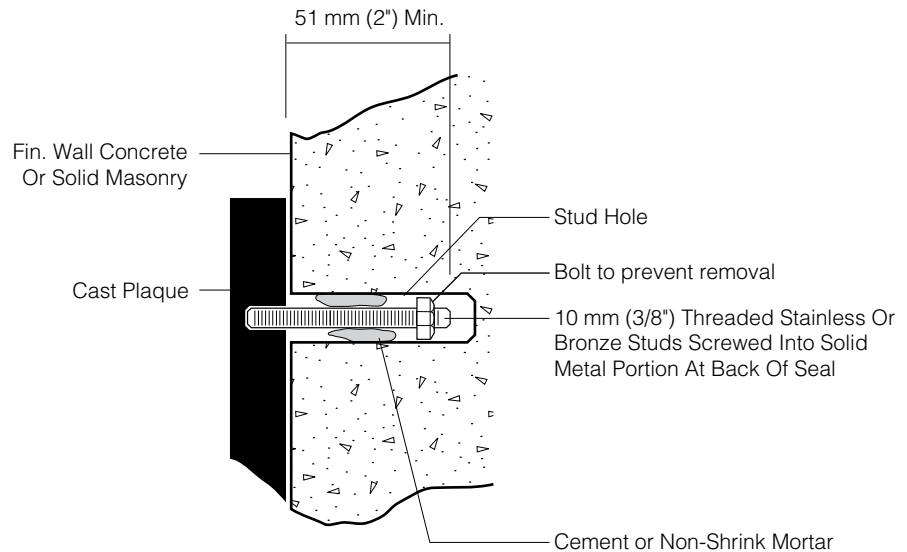
Detail 12

Mounting: Dimensional Letters

Metal letters that are installed on an exterior wall: Letters that are installed on all wall surfaces should be installed tight to the wall with no spacers and additional adhesive applied to the back of the letters. This will increase the security of the letters against vandalism or theft.

The size and length of the studs are to correlate to the size of the letter and the depth required for installation on a particular building surface.

Plaster and stucco building surfaces should have complete adhesive sealant applied around the stud, where it penetrates the building, to prevent water intrusion into the building.



Detail 13

Wall Mounting: Non-Illuminated Signs

Aluminum wall panel signs shall be fastened with a minimum of 4 tamper resistant mechanical fasteners.

Anchors should be suitable for the particular type of wall surface where the sign is being installed.

