

A0006952

AMENDMENT OF SOLICITATION/MODIFICATION OF CONTRACT

1. CONTRACT ID CODE
077

PAGE OF PAGES
1 3

2. AMENDMENT/MODIFICATION NO.
P00009

3. EFFECTIVE DATE
05/02/95

4. REQUISITION/PURCHASE REQ. NO.

5. PROJECT NO. (If applicable)
CIN-03

6. ISSUED BY
CODE
US ARMY ENGR DIST NEW ORLEANS
PO BOX 60267
NEW ORLEANS LA 70160-0267
Cynthia Whitten

ISSUE1
SC5(504) 862-1899

7. ADMINISTERED BY (If other than Item 6)
CODE
modcw
CELMM-CT-R MS. WHITTEN
PHONE: (504) 862-1899

8. NAME AND ADDRESS OF CONTRACTOR (No., street, county, State and ZIP Code) Vendor ID: 00001344

B&K CONSTRUCTION
1905 HIGHWAY 59
MANDEVILLE LA 70448

(X) 9A. AMENDMENT OF SOLICITATION NO.

9B. DATED (SEE ITEM 11)

X 10A. MODIFICATION OF CONTRACT/ORDER NO.
DACW29-94-C-0079

10B. DATED (SEE ITEM 13)
07/11/94

CODE OGTN3 FACILITY CODE

11. THIS ITEM ONLY APPLIES TO AMENDMENTS OF SOLICITATIONS

The above numbered solicitation is amended as set forth in Item 14. The hour and date specified for receipt of Offers is extended, is not extended. Offers must acknowledge receipt of this amendment prior to the hour and date specified in the solicitation or as amended, by one of the following methods: (a) By completing Items 8 and 15, and returning ___ copies of the amendment; (b) By acknowledging receipt of this amendment on each copy of the offer submitted; or (c) By separate letter or telegram which includes a reference to the solicitation and amendment numbers. FAILURE OF YOUR ACKNOWLEDGMENT TO BE RECEIVED AT THE PLACE DESIGNATED FOR THE RECEIPT OF OFFERS PRIOR TO THE HOUR AND DATE SPECIFIED MAY RESULT IN REJECTION OF YOUR OFFER. If by virtue of this amendment you desire to change an offer already submitted, such change may be made by telegram or letter, provided each telegram or letter makes reference to the solicitation and this amendment, and is received prior to the opening hour and date specified.

12. ACCOUNTING AND APPROPRIATION DATA (If required) Mod Obligated Amount US \$939.96
Funds in the amount of \$939.96 are available. See Attached.

13. THIS ITEM APPLIES ONLY TO MODIFICATIONS OF CONTRACTS/ORDERS, IT MODIFIES THE CONTRACT/ORDER NO. AS DESCRIBED IN ITEM 14.

(X) A. THIS CHANGE ORDER IS ISSUED PURSUANT TO: (Specify authority) THE CHANGES SET FORTH IN ITEM 14 ARE MADE IN THE CONTRACT ORDER NO. IN ITEM 10A.
X CC 1.83 Changes

B. THE ABOVE NUMBERED CONTRACT/ORDER IS MODIFIED TO REFLECT THE ADMINISTRATIVE CHANGES (such as changes in paying office, appropriation date, etc.) SET FORTH IN ITEM 14, PURSUANT TO THE AUTHORITY OF FAR 43.103 (b).

C. THIS SUPPLEMENTAL AGREEMENT IS ENTERED INTO PURSUANT TO AUTHORITY OF:

D. OTHER (Specify type of modification and authority)

E. IMPORTANT: Contractor is not, is required to sign this document and return original ~~copies~~ to the issuing office.

14. DESCRIPTION OF AMENDMENT/MODIFICATION (Organized by UCF section headings, including solicitation/contract subject matter where feasible.)

The following change is made to the above numbered contract for Lake Pontchartrain, LA & Vicinity, HLP, London Avenue Outfall Canal, Parallel Protection, Mirabeau Avenue to Robert E. Lee Blvd., West Bank; Mirabeau Avenue to Leon C. Simon Blvd., East Bank Floodwall, Orleans Parish, LA, to make a waterproof connection between the siphon pipes and the I-Wall at the pumping station and the electrical cable tray penetrating the wall.

Except as provided herein, all terms and conditions of the document referenced in Item 9A or 10A, as heretofore changed, remains unchanged and in full force and effect.

15A. NAME AND TITLE OF SIGNER (Type or print)
H. B. Kenyon, President/B & K CONSTRUCTION CO., INC.

16A. NAME AND TITLE OF CONTRACTING OFFICER (Type or print)
Chester Ashley, ACO 007

15B. CONTRACTOR OFFICER
[Signature]
(Signature of person authorized to sign)

15C. DATE SIGNED
5/22/95

16B. UNITED STATES OF AMERICA
BY *[Signature]*
(Signature of Contracting Officer)

16C. DATE SIGNED
6/1/95

1st Best
8/24/95
JH
Old Dist
12/2/95
JH

SF 30 CONTINUATION SHEET

12. Accounting and Appropriation Data (Cont.)

96X3122 BEC2111000NOLML

14. Description of Amendment/Modification (Cont.)

CHANGES TO THE BIDDING SCHEDULE: The schedule of Contract Items, Descriptions, Estimated Quantities, Units, Unit Prices, and Estimated Amounts is modified as follows:

Item No.	Description	Estimated Quantity	Unit	Unit Price	Estimated Amount	Amount of Change
0022	Reinforced Concrete Floodwall	LUMP SUM	LS	-----	\$1,488,259.96	(+) \$939.96

CHANGES TO THE CONTRACT SPECIFICATIONS: Add the following paragraphs:

1. "C3C-6.3 Field Molded Sealants shall conform to Federal Specification TT-S-227e, Type II for vertical joints, Class A. Bond breaker material shall be polyethylene, coated paper, metal foil or similar type materials. The backup material shall be compressible, nonshrink, nonreactive with sealant, and nonabsorptive material type such as extruded butyl or polychloroprene foam rubber."

2. "C3C-7.1.1 Joints with Field Molded Sealant shall not be sealed when the sealant, air or concrete temperature is less than 40 degrees Fahrenheit. Joints shall be primed and filled with the joint sealant specified in C3C-6.3 in accordance with the manufacturer's recommendation except that existing protective paint coatings on Sewerage and Water Board pipes shall be cleaned but not removed."

CHANGES TO THE CONTRACT DRAWINGS: Delete drawing 41 of 73, File No. H-4-40295, dated February 1994, and substitute with drawing 41 of 73, File No. H-4-40295, bearing revision 1, dated February 3, 1995.

Delete drawing 43 of 73, File No. H-4-40295, dated February 1994, and substitute with drawing 43 of 73, File No. H-4-40295, bearing revision 1, dated March 27, 1995.

CHANGES TO THE CONTRACT PRICE: The contract price is increased by \$939.96.

CHANGES TO THE CONTRACT TIME: The contract time is increased by one (1)

calendar day.

It is further understood and agreed that this adjustment constitutes compensation in full on behalf of the contractor, its subcontractors and suppliers for all costs and markups directly or indirectly attributable to the changes ordered for all delays, impacts, and extended overhead related thereto, and for performance of the change within the time frame stated.

PRICE NEGOTIATION MEMORANDUM

Lake Pontchartrain, Louisiana and Vicinity, High Level Plan,
London Avenue Outfall Canal, Parallel Protection,
Mirabeau Avenue to Robert E. Lee Blvd., West Bank;
Mirabeau Avenue to Leon C. Simon Blvd., East Bank Floodwall,
Orleans Parish, Louisiana
Contract Number DACW29-94-C-0079,
CIN 03
B & K Construction Co., Inc.

1. CONTRACT DESCRIPTION. The subject contract was awarded on 11 July 1994 in the amount of \$4,554,500.00. The contract consists of clearing selective demolition; cutting existing steel sheet piling; pulling, cleaning and delivering existing steel sheet piling; driving new steel sheet piling; construction reinforced concrete I-type floodwalls on existing and new steel piling; concrete slope pavement, driving steel sheet piling under South Central Bell telephone cables and New Orleans Sewerage & Water Board 10-foot relocating Sewerage and Water Board feeder cables; modifying existing utilities; degrading existing levees; placing embankment; fertilizing, seeding, and mulching.

2. DESCRIPTION OF MODIFICATION.

a. SUMMARY AND NECESSITY FOR CHANGE. The change provides for making of a waterproof connection between the pipes and the I-Wall at the pumping station and the electrical cable tray penetrating the wall.

b. REASON FOR OMISSION FROM PLANS AND SPECIFICATIONS. The designers overlooked the need to make these connections waterproof.

c. AUTHORITY FOR MODIFICATION. This change is issued under the authority provided by Contract Clause I.83, CHANGES.

3. PRICE AND TIME JUSTIFICATION.

a. SUMMARY.

<u>Contractor Proposal</u>	<u>Government Estimate</u>	<u>Negotiated Settlement</u>
\$939.96	\$1,583.64	\$939.96

b. PRICING STRATEGY. A price analysis was used to evaluate the contractor's proposal using an independent Government Estimate which was prepared based on site specific resources and standard industry practices.


c. PARTICIPANTS. Mr. H. B. Kenyon was the Lead Negotiator for the contractor and Mr. Fidel Perez was the Lead Negotiator for the Government.

d. NEGOTIATION SUMMARY. A request for proposal was made of the contractor on 30 March 1995. The contractor submitted a written proposal on 7 April 1995 in the amount of \$939.96 and one day increase in contract time. An independent Government estimate was prepared on 31 March 1995 in the amount of \$1,583.64 with 3 calendar days increase in contract time. This proposal compared favorably with the Government estimate, was considered to be fair and reasonable and was accepted. The contractor also agreed that this modification eliminated all impacts to the contract as a result of this change.

4. APPROPRIATION DATA. Funds are available in the amount of \$939.96 under appropriation 96X3122, BEC2111000NOLML, Lake Ponchartrain, New Orleans East Unit.

SUBMITTED FOR APPROVAL

Date: 1 May 1995


FIDEL PEREZ
Lead Government Negotiator

PRE NEGOTIATION OBJECTIVES

Lake Pontchartrain, Louisiana and Vicinity, High Level Plan,
London Avenue Outfall Canal, Parallel Protection,
Mirabeau Avenue to Robert E. Lee Blvd., West Bank;
Mirabeau Avenue to Leon C. Simon Blvd., East Bank Floodwall, Orleans Parish, Louisiana
Contract Number DACW29-94-C-0079,
CIN 03
B & K Construction Co., Inc.

1. CONTRACT DESCRIPTION. The subject contract was awarded on 11 July 1994 in the amount of \$4,554,500.00. The contract consists of clearing selective demolition; cutting existing steel sheet piling; pulling, cleaning and delivering existing steel sheet piling; driving new steel sheet piling; construction reinforced concrete I-type floodwalls on existing and new steel piling; concrete slope pavement, driving steel sheet piling under South Central Bell telephone cables and New Orleans Sewerage & Water Board 10-foot relocating Sewerage and Water Board feeder cables; modifying existing utilities; degrading existing levees; placing embankment; fertilizing, seeding, and mulching.

2. PROPOSED MODIFICATION DESCRIPTION: Making of a waterproof connection between the pipes and the I-Wall at the pumping station and the electrical cable tray penetrating the wall.

3. CONTRACTOR PROPOSAL:

The contractor submitted a proposal on 7 April 1995 in the amount of \$939.96.

4. GOVERNMENT POSITION: A revised independent Government Estimate was prepared on 31 March 1995 in the amount of \$1,583.64.

<u>Contractor Proposal</u>	<u>Government Estimate</u>	<u>Cost Difference</u>
\$939.96	\$1,583.64	\$643.68

5. COST DIFFERENCES: The contractor's proposal includes craftsmen presently on the job site and therefore, less labor cost for this modification.

6. OBJECTIVE: The objective of this negotiation is to accept the contractor's proposal.

DATE: 4 April 95



Fidel Perez
Lead Negotiator

DATE: 4 April 95



Chester Ashley
Administrative Contracting Officer



REPLY TO
ATTENTION OF:

DEPARTMENT OF THE ARMY
NEW ORLEANS DISTRICT, CORPS OF ENGINEERS
P.O. BOX 60267
NEW ORLEANS, LOUISIANA 70160-0267

AUG 24 1995

Construction Division
New Orleans Area Office

JUN 19 1995

B & K Construction
1905 Highway 59
Mandeville, LA 70448

Gentlemen:

Enclosed for your file is the duplicate original of
Modification No. P00009, CIN-03 for Contract No.
DACW29-94-C-0079.

Sincerely,

Chester Ashley
Administrative Contracting
Officer

Enclosure

Whitten
WHITTEN
CELMN-CT-R

Ashley
ASHLEY
CELMN-CD-NO

WHITTEN
CELMN-CT-R



DEPARTMENT OF THE ARMY

NEW ORLEANS DISTRICT, CORPS OF ENGINEERS

P.O. BOX 60267

NEW ORLEANS, LOUISIANA 70160-0267

REPLY TO
ATTENTION OF:

MAY 17 1995

Construction Division
New Orleans Area Office

SUBJECT: Contract No. DACW29-94-C-0079, Lake Pontchartrain, LA & Vicinity, HLP, London Avenue Outfall Canal, Parallel Protection, Mirabeau Avenue to Robert E. Lee Blvd., West Bank; Mirabeau Avenue to Leon C. Simon Blvd., East Bank Floodwall, Orleans Parish, LA.

B&K Construction
1905 Highway 59
Mandeville, LA 70448

Gentlemen:

Enclosed is proposed Modification P00009, CIN-03 for the subject contract.

If you agree with this modification as written, please sign and date the modification and return to this office, ATTN: Ms. Cindy Whitten, New Orleans Area Office by **MAY 27 1995**

If you do not agree, please contact Ms. Cindy Whitten (862-1899).

When executed by the Contracting Officer, the duplicate original of the modification will be sent to you for your file.

Sincerely,

Chester Ashley
Administrative Contracting
Officer

Enclosure

Perez *JP*
CEL MN-~~CT-R~~ *CD-NO-E*
Morton *JSM 5/11/95*
CEL MN-CD-NO-E
Bernard *out*
CEL MN-CD-NO
Ashley *CA*
CEL MN-~~CD-NO~~
Whitten
CEL MN-CT-R

27 Mar 95

MEMORANDUM FOR C/Construction Div

SUBJECT: Lake Pontchartrain, LA & Vicinity, High Level Plan, London Ave. Outfall Canal, Parallel Protection, Mirabeau Ave. to Robert E. Lee Blvd., West Bank, Mirabeau Ave. to Leon C. Simon Ave., East Bank, Orleans Parish, LA

1. It is requested that the modification request dated 15 Dec 94 be rescinded, and a new modification be issued on the subject project, contract number, 94-C-0079.

2. The following information is provided for your use in preparing the modification:

a. Description of the Change.

(1) The Change. Add expandable waterstops, expansion material, polyethylene membranes and backer rods to the pipe sleeves on the siphon and discharge tube crossings, ST-1 and DT-1.

(2) Contract Specifications.

(a) Page C3C-3, after paragraph C3C-6.2, add the following:

"C3C-6.3 Field Molded Sealants shall conform to Fed. Spec. TT-S-227e, Type II for vertical joints, Class A. Bond breaker material shall be polyethylene tape, coated paper, metal foil or similar type materials. The back-up material shall be compressible, nonshrink, nonreactive with sealant, and nonabsorptive material type such as extruded butyl or polychloroprene foam rubber."

(b) Page C3C-3, after paragraph C3C-7.1, add the following:

"C3C-7.1.1 Joints with Field Molded Sealant. Joints shall not be sealed when the sealant, air, or concrete temperature is less than 40° F. Joints shall be primed and filled with the joint sealant specified in C3C-6.3 in accordance with the manufacturer's recommendation except that existing protective paint coatings on Sewerage and Water Board pipes shall be cleaned but not removed."

(3) Contract Drawings. Delete dwg. 43 of 73 in its entirety and replace with modified dwg. 43 of 73.

CELMN-ED-TM

27 Mar 95

SUBJECT: Lake Pontchartrain, LA & Vicinity, High Level Plan, London Ave. Outfall Canal, Parallel Protection, Mirabeau Ave. to Robert E. Lee Blvd., West Bank, Mirabeau Ave. to Leon C. Simon Ave., East Bank, Orleans Parish, LA

b. Necessity for the Change. ST-1 and DT-1 pass through the I-wall at an angle. The existing L-type waterstop detail would require a specially fabricated waterstop. The new detail has only standard materials and will therefore be easier to acquire. The waterstops, expansion material, membranes, and backer bars are needed to assure a watertight seal between the I-wall and pipe sleeve on ST-1 and DT-1.

c. Reason for Omission from the Plans and Specifications. The necessity for this change was discovered subsequent to award of the contract.

3. The preliminary engineering cost estimate for the change estimated herein is \$1,000. Adequate funds are available

4. Point of contact is Angela DeSoto, x2733.

Encls(6 copies)
Dwg. 41 of 73
CF:(w/o encls)
CELMN-ED-C
CELMN-PP-P

W. EUGENE TCKNER
Chief, Engineering Division

CELMN-CD-CS


February 15, 1995

MEMORANDUM THRU Chief, Construction Division

FOR Area Engineer, New Orleans Area Office

SUBJECT: Contract DACW29-94-C-0079, Lake Pontchartrain, LA and Vicinity, High Level Plan, London Ave., East Bank, Orleans Parish, LA, CIN 03, Add steel plate and sealant to insure watertight seal at TC-1.

1. Enclosed is a request to change the previously requested change for adding shims between the L-type waterstop and the pipe sleeve on the telephone cable crossing at TC-1. This change has been assigned CIN 03, and any further correspondence regarding this change should reference this number.
2. Request you take the necessary actions for completion of this change. The original enclosed documents and one copy of the plans shall be an enclosure to the modification package.
3. POC is Jim Berry at ext 1240.


WILLIAM R. MARSALIS
Chief, Contract Administration Branch

Enclosure

RECEIVED AT
FEB 16 1995
N. O. A. O.

8 Feb 95

MEMORANDUM FOR C/Construction Div

SUBJECT: Lake Pontchartrain, LA & Vicinity, High Level Plan, London Ave. Outfall Canal, Parallel Protection, Mirabeau Ave. to Robert E. Lee Blvd., West Bank, Mirabeau Ave. to Leon C. Simon Ave., East Bank, Orleans Parish, LA

1. It is requested that the modification request dated 15 Dec 94 be rescinded, and a new modification be issued on the subject project, contract number, 94-C-0079.

2. The following information is provided for your use in preparing the modification:

a. Description of the Change.

(1) The Change. Add a steel plate and plastic sealant to the pipe sleeve on the telephone cable crossing, TC-1.

(2) Contract Specifications. No change.

(3) Contract Drawings dwg. 41 of 73 in its entirety and replace with " " 1 of 73.

b. Necessity for "OLD Change" passes through the I-sealant are needed to assure a watertight seal and pipe sleeve on TC-1.

c. Reason for Omission and Specifications. The necessity for this change was discovered subsequent to award of the contract.

3. It is anticipated that no additional costs will be incurred as a result of this modification.

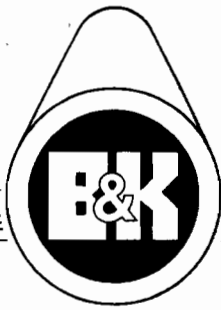
4. Point of contact is Angela DeSoto, x2733.

Encls(6 copies)
Dwg. 41 of 73
CF:(w/o encls)
CELMN-ED-C
CELMN-PP-P

for Robert Augeris
W. EUGENE TCKNER
Chief, Engineering Division

FEB 14 1994

9500142



CONSTRUCTION COMPANY, INC.

April 7, 1995

Department of the Army
New Orleans District Corps of Engineers
P. O. Box 60267
New Orleans, LA 70160-0267

Attn: Mr. Chester Ashley

Re: Contract No. DACW 29-94-C0079
London Avenue Outfall Canal
Mirabeau Ave. to Robert E. Lee
B&K Job No. 9402
USACOE CIN 03/B&K RFC 003

Gentlemen:

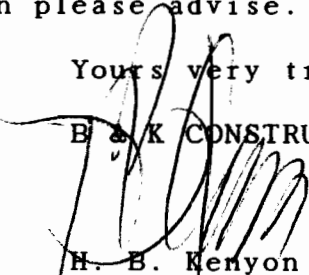
As requested please find enclosed our proposal of Nine Hundred Thirty-Nine and 96/100 (\$939.96) for adding an anchor plate and a water stop on the periphery of the cable tray box, and for adding a water stop between the siphon crossings and the concrete I-Wall as per your letter of March 30, 1995.

Please allow us one extra day of contract time for this change.

If our proposal meets with your approval or if you need additional information please advise.

Yours very truly,

B & K CONSTRUCTION COMPANY, INC.


H. B. Kenyon
President

HBK: mw

Encl.

cc: Mr. Fidel Perez, USACOE
Mr. Richard T. Hill, USACOE
Mr. Mike Tassin, B&K Construction

\9402\COECIN03

CONTRACT DACW29-94-C-0079
 LAKE PONTCHARTRAIN AND VICINITY
 HIGH LEVEL PLAN, LONDON AVENUE
 OUTFALL CANAL, PARALLEL PROTECTION
 LEON C. SIMON BLVD. FLOODWALL
 ORLEANS PARISH, LOUISIANA
 B & K JOB NO. 9402, RFC NO. 003
 CIN03

April 5, 1995

DESCRIPTION: Telephone cable tray and siphon crossings

LABOR	Name	Rate	Rg	Hrs	OT	Hrs	Total
	Truck Driver	11.00		1.00			11.00
	Carpenter	13.21		2.00			26.42
	Carpenter	13.21		2.00			26.42
	Labor	7.54		2.00			15.08
	Labor	7.54		2.00			15.08
	Welder	30.00		3.00			90.00
	Sub Total						184.00
	PR Tax & Ins @	55.03%					101.26
							0.00
	TOTAL LABOR						285.26

EQUIPMENT	Description	Rate	Hours	Total
	'91 Toyota Pickup Tr	9.75	1.00	9.75
	Cut-off Saw	3.30	2.00	6.60
	Generator	1.65	2.00	3.30
	Power Saw	0.60	2.00	1.20
	TOTAL EQUIPMENT			20.85

MATERIALS	Description	Price	Qty	Total
	Rx-101 Adhesive(gal)	30.00	1.00	30.00
	Adeka Ultra Seal	29.15	1.00	29.15
	1" preformed expans. mtrl asphalt type/LF	1.75	100.00	175.00
	1/3/4" expandable waterstop RX/LF	1.40	100.00	140.00
	1/2x3" steel plate*	35.00	1.00	35.00
	backer rod (LF)	0.27	53.00	14.31
	Sub Total			423.46
	Tax @	9.00%		38.11
	TOTAL MATERIALS			461.57

SUBCONTRACTS:	Rate	Unit	Total
			0.00
TOTAL SUBCONTRACT			0.00

TOTAL COSTS SUMMARY

LABOR			285.26
EQUIPMENT			20.85
MATERIALS			461.57
SUBCONTRACTS			0.00
	TOTAL		767.68

OVERHEAD/PROFIT

G & A	13.90%		106.71
	SUBTOTAL		874.38
PROFIT	7.50%		65.58

=====

TOTAL COST	939.96
------------	--------

=====

9402\RFC003.SS

*20' minimum

527 THIRD ST. P.O. BOX 51778
TELEPHONE / 895-0322
NEW ORLEANS, LOUISIANA 70161
FAX: (504) 895 0388



BUILDING SPECIALTIES COMPANY

April 5, 1995

B & K CONSTRUCTION

FAX 626-9710

ATTN: Margaret

RE: JOINT SEAL AROUND 50" PIPE

ITEM	PRICE
1. 1" X 6" X 10' ASPHALT EXPANSION JOINT MATERIAL 100 LINEAR FEET.....	\$ 1.75/LF
2. 1 1/4" DIAMETER BACKER ROD 53 LINEAR FEET.....	\$ 0.27/LF
3. RX-101 WATERSTOP (100 LF).....	\$ 1.40/LF
4. RX-101 ADHESIVE (ONE GALLON).....	\$ 30.00/GALLON
5. ADEKA ULTRA-SEAL P-201 CAULK SEALANT (11.2 OZ TUBE).....	\$ 29.15/TUBE

All material except for Items 1 and 5 are in stock and available for delivery. All prices are FOB Jobsite except for Item 5 which is plus freight. Allow 3 to 5 days for delivery of Items 1 and 5.

Sincerely
Building Specialties Company

Steve Bujol

SHOP TOOLS

VACUUM TOOL CLEANERS

Tank Capy.	Maximum Air Flow	Amps	Monthly	Weekly	Daily	Hourly	Estimated Operating Cost/Hr.
Electric Powered (Vacuum tool cleaners include cloth filter, gasket and frame assembly, wet pickup conversion pan and a wet/dry accessory kit. Electric costs are not included.)							
4 gal	87 cfm	8	\$ 120.00	\$ 34.00	\$ 9.00	\$ 1.00	\$.05
9 gal	110 cfm	10	150.00	42.00	11.00	2.00	.05
15 gal	110 cfm	10	170.00	48.00	12.00	2.00	.05

CUT-OFF MACHINES

Type	Cut Capacity	HP	Monthly	Weekly	Daily	Hourly	Estimated Operating Cost/Hr.
Electric Powered (Includes stand and adjustable pipe support. Electric costs are not included.)							
Pipe/Conduit Cutter	1/4" -- 4"	0	\$ 330.00	\$ 92.00	\$ 23.00	\$ 3.00	\$.30

THREADING MACHINES

Type	Maximum Bolt Size	Maximum Pipe Size	Monthly	Weekly	Daily	Hourly	Estimated Operating Cost/Hr.
Electric Powered (Includes stand and adjustable pipe support. Electric costs are not included.)							
Portable Production	2 in	2 in	\$ 665.00	\$ 185.00	\$ 46.00	\$ 7.00	\$ 1.35
Portable Utility	2 in	2 in	230.00	64.00	16.00	2.00	.30
Stationary	2 in	2 in	870.00	245.00	61.00	9.00	1.45
Stationary	3 in	4 in	1,055.00	295.00	74.00	11.00	1.60
Stationary	4 in	6 in	2,635.00	740.00	185.00	28.00	5.80
Stationary	6 in	8 in	3,725.00	1,045.00	260.00	39.00	6.60



CONSTRUCTION COMPANY, INC.

January 27, 1995

DEPARTMENT OF THE ARMY
New Orleans District Corps of Engineers
P. O. Box 60267
New Orleans, LA 70160-0267

Attn: Mr. Chester Ashley

RE: CONTRACT NO. DACW29-94-C-0079
LONDON AVENUE OUTFALL CANAL
MIRABEAU AVE. TO ROBERT E. LEE
B & K JOB NO. 9402
USACOE CIN 03 / B&K RFC 003

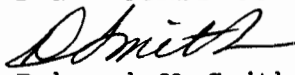
Gentlemen:

As requested, please find enclosed our proposal of Two Thousand Five Hundred Ninety Five Dollars and Eighty Four Cents (\$2,595.84). This proposal is for adding a top and bottom wedge plate to the L-shaped water stop for the telephone cable crossing as requested.

As discussed with Mr. Chris Wagner, we were unable to submit a proposal by January 19 as requested in your correspondence of January 9, 1995 as we did not received your letter until January 17, 1995 excluding attachment (drawing 41 of 73 FILE NO. H-4-40295 was received by our field office on January 20, 1995).

If our proposal meets with your approval or if you need additional information please advise.

Sincerely,
B & K CONSTRUCTION CO., INC.


Deborah W. Smith
Project Coordinator

Encl.

cc: Mr. Fidel Perez, USACOE
Mr. Richard T. Hill, USACOE
Mr. Mike Tassin, B & K Construction

\9402\COE-CIN03

RECEIVED AT

FEB 01 1995

N. O. A. O.

TRUCKS

OFF-HIGHWAY WATER TANKER TRUCKS

Tank Capacity	HP	Monthly	Weekly	Daily	Hourly	Estimated Operating Cost/Hr.
Diesel Powered						
5,000 gal	175.0	\$ 5,260.00	\$ 1,475.00	\$ 370.00	\$ 56.00	\$ 20.05
6,000 gal	330.0	9,540.00	2,670.00	670.00	100.00	37.05
7,000 gal	330.0	9,570.00	2,680.00	670.00	100.00	37.10
8,000 gal	450.0	14,685.00	4,110.00	1,030.00	155.00	54.50
10,000 gal	450.0	14,775.00	4,135.00	1,035.00	155.00	54.70
12,000 gal	550.0	19,210.00	5,380.00	1,345.00	200.00	69.80
14,000 gal	550.0	19,265.00	5,395.00	1,350.00	205.00	69.90

ON-HIGHWAY LIGHT DUTY TRUCKS

Cab Type	Axle Config.	Ton Rating	HP	Monthly	Weekly	Daily	Hourly	Estimated Operating Cost/Hr.
Gasoline Powered								
Conventional	4X2	1/2	130.0	\$ 455.00	\$ 125.00	\$ 31.00	\$ 5.00	\$ 4.75
Crew	4X2	1/2	130.0	520.00	145.00	36.00	5.00	4.95
Conventional	4X4	1/2	130.0	570.00	160.00	40.00	6.00	5.10
Crew	4X4	1/2	130.0	610.00	170.00	43.00	6.00	5.25
Conventional	4X2	3/4	130.0	555.00	155.00	39.00	6.00	5.05
Crew	4X2	3/4	130.0	580.00	160.00	40.00	6.00	5.15
Conventional	4X4	3/4	130.0	620.00	175.00	44.00	7.00	5.25
Crew	4X4	3/4	180.0	650.00	180.00	45.00	7.00	6.55
Conventional	4X2	1	180.0	595.00	165.00	41.00	6.00	6.40
Crew	4X2	1	180.0	635.00	180.00	45.00	7.00	6.50
Conventional	4X4	1	180.0	680.00	190.00	48.00	7.00	6.65
Crew	4X4	1	180.0	715.00	200.00	50.00	8.00	6.75
Diesel Powered								
Conventional	4X2	1/2	75.0	560.00	155.00	39.00	6.00	2.00
Conventional	4X4	1/2	130.0	675.00	190.00	48.00	7.00	2.80
Conventional	4X2	3/4	75.0	660.00	185.00	46.00	7.00	2.10
Crew	4X2	3/4	130.0	685.00	190.00	48.00	7.00	2.80
Conventional	4X4	3/4	130.0	725.00	205.00	51.00	8.00	2.85
Crew	4X4	3/4	130.0	755.00	210.00	53.00	8.00	2.90
Conventional	4X2	1	130.0	705.00	195.00	49.00	7.00	2.80
Crew	4X2	1	130.0	740.00	205.00	51.00	8.00	2.90

MOTORS & GENERATORS

SMALL GENERATOR SETS

(All small generator sets are unhused and either air or water cooled.)

<i>Prime Output</i>	<i>HP</i>	<i>Monthly</i>	<i>Weekly</i>	<i>Daily</i>	<i>Hourly</i>	<i>Estimated Operating Cost/Hr.</i>
Gasoline Powered						
900 W	1.0	\$ 42.00	\$ 12.00	\$ 3.00	\$.45	\$.30
1,000 W	1.5	43.00	12.00	3.00	.45	.35
1,400 W	2.0	47.00	13.00	3.00	.45	.40
1,500 W	2.5	51.00	14.00	4.00	.60	.50
1,800 W	3.0	64.00	18.00	5.00	.75	.55
2,000 W	3.5	65.00	18.00	5.00	.75	.60
2,100 W	3.5	74.00	21.00	5.00	.75	.60
2,400 W	5.0	79.00	22.00	6.00	.90	.75
2,500 W	5.0	85.00	24.00	6.00	.90	.75
3,000 W	5.0	110.00	31.00	8.00	1.00	.75
3,500 W	7.0	110.00	31.00	8.00	1.00	1.00
4,000 W	8.0	120.00	34.00	9.00	1.00	1.10
5,000 W	10.0	135.00	38.00	10.00	2.00	1.30
5,500 W	14.0	155.00	43.00	11.00	2.00	1.80
6,000 W	8.5	160.00	45.00	11.00	2.00	1.20
7,500 W	15.0	200.00	56.00	14.00	2.00	1.90
9,000 W	13.0	235.00	66.00	17.00	3.00	1.75
10,000 W	19.5	290.00	81.00	20.00	3.00	2.50
12,000 W	20.0	350.00	98.00	25.00	4.00	2.60
12,500 W	30.0	435.00	120.00	30.00	5.00	3.70
15,000 W	30.0	475.00	135.00	34.00	5.00	3.70
20,000 W	38.0	510.00	145.00	36.00	5.00	4.60
Diesel Powered						
2,500 W	4.5	115.00	32.00	8.00	1.00	.55
3,000 W	5.7	275.00	77.00	19.00	3.00	.70
4,500 W	6.5	340.00	95.00	24.00	4.00	.80
6,000 W	11.0	395.00	110.00	28.00	4.00	1.15
17,500 W	32.0	600.00	170.00	43.00	6.00	2.55

LARGE GENERATOR SETS

(All large generator sets are unhused and water cooled.)

<i>Prime Output @ 60 Hz</i>	<i>HP</i>	<i>Monthly</i>	<i>Weekly</i>	<i>Daily</i>	<i>Hourly</i>	<i>Estimated Operating Cost/Hr.</i>
Gasoline Powered						
25 KW	36.5	\$ 420.00	\$ 120.00	\$ 30.00	\$ 5.00	\$ 4.90
30 KW	42.5	465.00	130.00	33.00	5.00	5.60
35 KW	50.0	500.00	140.00	35.00	5.00	6.40
40 KW	57.5	520.00	145.00	36.00	5.00	7.20

SHOP TOOLS

CHAIN SAWS

(Fuel costs are not included.)

Engine Size (Cu. In.)	Bar Length	Monthly	Weekly	Daily	Hourly	Estimated Operating Cost/Hr.
Gasoline Powered						
2	14"	\$ 86.00	\$ 24.00	\$ 6.00	\$.90	\$.15
3	16"	125.00	35.00	9.00	1.00	.15
4	16"	150.00	42.00	11.00	2.00	.15
5	20"	200.00	56.00	14.00	2.00	.15
6	28"	250.00	70.00	18.00	3.00	.15
7	36"	275.00	77.00	19.00	3.00	.20

CUT-OFF SAWS

(Blade costs are not included.)

Blade Diameter	Engine Size (Cu. In.)	Monthly	Weekly	Daily	Hourly	Estimated Operating Cost/Hr.
Gasoline Powered						
12 in	3	\$ 205.00	\$ 57.00	\$ 14.00	\$ 2.00	\$.50
12 in	4	255.00	71.00	18.00	3.00	.65
12 in	5	255.00	71.00	18.00	3.00	.75
12 in	6	285.00	80.00	20.00	3.00	.85
14 in	5	265.00	74.00	19.00	3.00	.75
14 in	6	295.00	83.00	21.00	3.00	.85
16 in	6	305.00	85.00	21.00	3.00	.85

ELECTRIC CIRCULAR HAND SAWS

(Blade and electric costs are not included.)

Drive Type	Blade Size	Depth Cut	Amps	Monthly	Weekly	Daily	Hourly	Estimated Operating Cost/Hr.
Electric Powered								
Direct	4-1/2"	1-1/4"	6.000	\$ 47.00	\$ 13.00	\$ 3.00	\$.45	\$.00
Direct	7-1/4"	2-3/8"	13.000	43.00	12.00	3.00	.45	.00
Worm Gear	7-1/4"	2-3/8"	15.000	58.00	16.00	4.00	.60	.00

CONTRACT DACW29-94-C-0079
 LAKE PONTCHARTRAIN AND VICINITY
 HIGH LEVEL PLAN, LONDON AVENUE
 OUTFALL CANAL, PARALLEL PROTECTION
 LEON C. SIMON BLVD. FLOODWALL
 ORLEANS PARISH, LOUISIANA
 B & K JOB NO. 9402, RFC NO. 003
 CIN03

January 26, 1995

DESCRIPTION: COE REQUESTED PRICE TO ADD TOP AND BOTTOM WEDGE
 PLATE TO L-SHAPED WATER STOP.

LABOR	Name	Rate	Rg Hrs	OT Hrs	Total
					0.00
					0.00
					0.00
					0.00
Sub Total					0.00
PR Tax & Ins @	55.03%				0.00
					0.00
TOTAL LABOR					0.00

EQUIPMENT	Description	Rate	Hours	Total
				0.00
				0.00
				0.00
				0.00
TOTAL EQUIPMENT				0.00

MATERIALS	Description	Price	Qty	Total
				0.00
MANUFAB	METAL WEDGES	1,945.00	1.00	1,945.00
				0.00
Sub Total				1,945.00
Tax @	9.00%			175.05
TOTAL MATERIALS				2,120.05

SUBCONTRACTS:

Rate

Unit

Total

0.00

TOTAL SUBCONTRACT

0.00

0.00

TOTAL COSTS SUMMARY

LABOR

0.00

EQUIPMENT

0.00

MATERIALS

2,120.05

SUBCONTRACTS

0.00

TOTAL

2,120.05

OVERHEAD/PROFIT

G & A

13.90%

294.69

SUBTOTAL

2,414.74

PROFIT

7.50%

181.11

=====
TOTAL COST

=====
2,595.84
=====

9402\RFC003.SS

MANUFAB

129 Third Street, 70062,

Inc.
Kenner, La.
(504) 466-2368

TELEPHONE: ~~Inquiry / Order~~ / Quotation / ~~Change~~

Customer / Vendor

B&K CONSTRUCTION

Shop Order # MQ-64

Date 25 January 1995

Order #

504) 626-9710

Tel. # (504) 626-1866

Ref. LONDON AVE

USACOE DACW 29

94 C 0079

Attention DEBBIE SMITH

Ship To: LONDON AVE. FLOODWALL
JOB SITE

QUANTITY

DESCRIPTION

PRICE / DELIVERY

2ea MANUFAB PROPOSES TO FURNISH METRIC
WEDGES STOP WELDED & GALVANIZED ON
CABLE TRAYS FOR THE ABOVE REFERENCED
PROJECT. PRICE INCLUDES 1 WEDGE FOR TOP
AND 1 WEDGE FOR BOTTOM OF TRAY AS SHOWN
ON CONTRACT DRAWING # 41 OF 73

Comp Sum

\$ 1,945⁰⁰

PLUS TAX

FOB: LONDON AVE FLOODWALL JOB SITE

Est. Freight \$ 0

Material Certification ~~required~~ / available

Terms NET 30 DAYS

~~Inquiry / Order~~ / Quotation received by

fulfillment

Ship Via MANUFACTURER

Prepaid

Prepaid and Add

Collect

Shipment required

Promised

3-4 week Aerial Approval
Shop Drawings



DEPARTMENT OF THE ARMY

NEW ORLEANS DISTRICT, CORPS OF ENGINEERS

P.O. BOX 80287

NEW ORLEANS, LOUISIANA 70180-0287

B & K

JAN 17 1995

REPLY TO
ATTENTION OF:

CONSTRUCTION CO., INC.

9402 CIN 03

January 9, 1995

New Orleans Area Office

SUBJECT: Contract Number DACW29-94-C-0079, Lake Pontchartrain, Louisiana and Vicinity, High Level Plan, London Avenue Outfall Canal, Parallel Protection, Mirabeau Avenue to Robert E. Lee Boulevard, West Bank; Mirabeau Avenue to Leon C. Simon Boulevard, East Bank Floodwall, Orleans Parish, Louisiana

B&K Construction Company, Incorporated
905 Highway 59
Mandeville, LA 70448

Gentlemen:

The Government is proposing to modify the subject contract by adding a top and bottom wedge plate to the L-shaped water stop for the telephone cable crossing as shown on the attached drawing 41 of 73, FILE NO. H-4-40295, bearing revision 1, dated November 10, 1994.

You are requested to furnish a proposal for this modification no later than January 19, 1995. The proposal should be broken down in sufficient detail for the analysis of the elements of labor, equipment, materials, supplies and appropriate mark-ups. It should also include any time extensions required for the performance of the work. This change has been assigned CIN 03, any further correspondence relative thereto should make reference to this number.

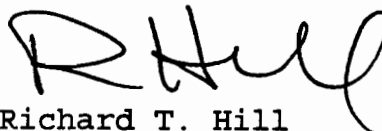
Upon receipt of your proposal and evaluation by the Government, you will be contacted to establish a date for negotiations. This is not a notice to proceed with the change. Do not start work under this proposed change until you have been authorized to do so.

NO Attachment
Rec. From
Field Office
1-20-95
(2)

CC: RFC #3 (CIN 03)
Manufab
Field Office
DS

The point of contact for this modification is
Mr. Fidel Perez at 862-1245.

Sincerely,

A handwritten signature in black ink, appearing to read "R Hill". The signature is written in a cursive style with a large, looped "R" and a stylized "Hill".

Richard T. Hill
Contracting Officer's
Authorized Representative

Enclosures

CELMN-CD-CM

December 20, 1994

MEMORANDUM THRU Chief, Construction Division

FOR ¹²⁴Area Engineer, New Orleans Area Office

SUBJECT: Contract DACW29-94-C-0079, Lake Pontchartrain, LA and Vicinity, High Level Plan, London Ave., East Bank, Orleans Parish, LA, CIN 03, Add shims to insure watertight seal at TC-1.

1. Enclosed is a request for change to the subject contract for adding shims between the L-type waterstop and the pipe sleeve on the telephone cable crossing at TC-1. This change has been assigned CIN 03, and any further correspondence regarding this change should reference this number.
2. Request you take the necessary actions for completion of this change. The original enclosed documents and one copy of the plans shall be an enclosure to the modification package.
3. POC is Jim Berry at ext 1240.

Marsalis
WILLIAM R. MARSALIS
Chief, Contract Administration Branch

Enclosure

RECEIVED AT
DEC 20 1994
N. O. A. O.

15 Dec 1994

MEMORANDUM FOR C/Construction Div

SUBJECT: Lake Pontchartrain, LA and Vicinity, High Level Plan, London Ave. Outfall Canal, Parallel Protection, Mirabeau Ave. to Robert E. Lee Blvd., West Bank, Mirabeau Ave. to Leon C. Simon Ave., East Bank, Orleans Parish, LA

1. It is requested that a modification be issued on the subject project, contract number 94-C-0079.

2. The following information is provided for your use in preparing the modification:

a. Description of Change.

(1) The Change. Add steel shims between the L-type waterstop and pipe sleeve on the telephone cable crossing, TC-1.

(2) Contract Specifications. No change.

(3) Contract Drawings. Delete dwg. 41 of 73 in its entirety and replace with modified dwg. 41 of 73.

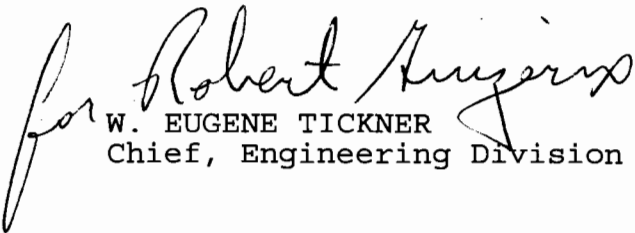
b. Necessity for the Change. TC-1 passes through the I-wall at an angle. These shims are needed to assure a watertight seal between the I-wall and pipe sleeve on TC-1.

c. Reason for the Omission from the Plans and Specifications. The necessity for this change was discovered subsequent to award of the contract.

3. The preliminary engineering cost estimate for the change estimated herein is \$500. Adequate funds are available.

4. Point of contact is Angela DeSoto, x2733.

Encls(6 copies)
Dwg. 41 of 73
CF:(w/o encls)
CELMN-ED-C
CELMN-PP-P


W. EUGENE TICKNER
Chief, Engineering Division

DESCRIPTION	QTY	VENDOR	UNIT PRICE	SUBTOTAL
		Mike		
1" X 3" PREFORMED EXPANSION MATERIAL	Asphalt 90 FT	N. O. CONCRETE 254-1596	\$1.00/ft	
1 1/4" DIA. ROBSEAL	90 FT	FIELD & Spec. Steve \$0.27/ft		
1" X 3/4" EXPANDABLE WATERSTOP-RX	45 FT 100 FT BOX	RX 101- Adhesive \$30.00/box 1.40	140	
FIELD MOLDED SEALANT	90 FT			

Building
Specialties
Steve

CELMN-CD-CS


March 30, 1995

MEMORANDUM THRU Chief, Construction Division

FOR Area Engineer, New Orleans Area Office

SUBJECT: Contract DACW29-94-C-0079, Lake Pontchartrain, LA and Vicinity, High Level Plan, London Ave., East Bank, Orleans Parish, LA, CIN 05, Modify pipe sleeves at pipe crossings.

1. Enclosed is a request to add expandable waterstops, expansion material, polyethylene membranes and backer rods to the pipe sleeves on the siphon and discharge tube crossings, ST-1 and DT-1. This change has been assigned CIN 03, and any further correspondence regarding this change should reference this number.
2. Request you take the necessary actions for completion of this change. The original enclosed documents and one copy of the plans shall be an enclosure to the modification package.
3. POC is Jim Berry at ext 1240.


WILLIAM R. MARSALIS
Chief, Contract Administration Branch

Enclosure

RECEIVED
MARSALIS
N. O. A. C.

27 Mar 95

MEMORANDUM FOR C/Construction Div

SUBJECT: Lake Pontchartrain, LA & Vicinity, High Level Plan, London Ave. Outfall Canal, Parallel Protection, Mirabeau Ave. to Robert E. Lee Blvd., West Bank, Mirabeau Ave. to Leon C. Simon Ave., East Bank, Orleans Parish, LA

~~1. It is requested that the modification request dated 15 Dec 94 be rescinded, and a new modification be issued on the subject project, contract number, 94 C 0079.~~ *jus*

2. The following information is provided for your use in preparing the modification:

a. Description of the Change.

(1) The Change. Add expandable waterstops, expansion material, polyethylene membranes and backer rods to the pipe sleeves on the siphon and discharge tube crossings, ST-1 and DT-1.

(2) Contract Specifications.

(a) Page C3C-3, after paragraph C3C-6.2, add the following:

"C3C-6.3 Field Molded Sealants shall conform to Fed. Spec. TT-S-227e, Type II for vertical joints, Class A. Bond breaker material shall be polyethylene tape, coated paper, metal foil or similar type materials. The back-up material shall be compressible, nonshrink, nonreactive with sealant, and nonabsorptive material type such as extruded butyl or polychloroprene foam rubber."

(b) Page C3C-3, after paragraph C3C-7.1, add the following:

"C3C-7.1.1 Joints with Field Molded Sealant. Joints shall not be sealed when the sealant, air, or concrete temperature is less than 40° F. Joints shall be primed and filled with the joint sealant specified in C3C-6.3 in accordance with the manufacturer's recommendation except that existing protective paint coatings on Sewerage and Water Board pipes shall be cleaned but not removed."

(3) Contract Drawings. Delete dwg. 43 of 73 in its entirety and replace with modified dwg. 43 of 73.

9500 268

CELMN-ED-TM

27 Mar 95

SUBJECT: Lake Pontchartrain, LA & Vicinity, High Level Plan, London Ave. Outfall Canal, Parallel Protection, Mirabeau Ave. to Robert E. Lee Blvd., West Bank, Mirabeau Ave. to Leon C. Simon Ave., East Bank, Orleans Parish, LA

b. Necessity for the Change. ST-1 and DT-1 pass through the I-wall at an angle. The existing L-type waterstop detail would require a specially fabricated waterstop. The new detail has only standard materials and will therefore be easier to acquire. The waterstops, expansion material, membranes, and backer bars are needed to assure a watertight seal between the I-wall and pipe sleeve on ST-1 and DT-1.

c. Reason for Omission from the Plans and Specifications. The necessity for this change was discovered subsequent to award of the contract.

3. The preliminary engineering cost estimate for the change estimated herein is \$1,000. Adequate funds are available

4. Point of contact is Angela DeSoto, x2733.

Encls(6 copies)
Dwg. 41 of 73
CF:(w/o encls)
CELMN-ED-C
CELMN-PP-P

for Robert Augeris
W. EUGENE TCKNER
Chief, Engineering Division

FROM: JIM DOOLIN
800-231-4551
SIZE: 1" x 36" long strips
Keyways not required.
Primer required on conc.
clean surface on steel

SPEC DATA

This Spec-Data sheet conforms to editorial style prescribed by The Construction Specifications Institute. The manufacturer is responsible for technical accuracy.

1. PRODUCT NAME

SYNKO-FLEX® Preformed Plastic Adhesive Waterstop

2. MANUFACTURER

SYNKO-FLEX PRODUCTS
Division of Henry Company
1277 Boyles
Houston, TX 77020
Phone: (713) 963-9403
(800) 231-4551
FAX: (713) 655-1006
Telex: 79-2762 Diplomar Hou

3. PRODUCT DESCRIPTION

Basic Use: SYNKO-FLEX Waterstop is a specially formulated preformed joint sealant that provides a lasting, watertight bond to both fresh and cured concrete surfaces. SYNKO-FLEX is designed as an alternative to conventional waterstops that are used on cold joints at footings, walls or slab joints, and it does not rely on swelling upon contact with fresh concrete to achieve its watertight seal and waterstop capabilities. SYNKO-FLEX Waterstop is a single-component, self-sealing plastic adhesive compound, extruded in a square cross-section between two quick-release protective wrappers. It bonds to cured concrete surfaces and fuses with fresh concrete during the hydration and curing process to achieve a watertight seal.

SYNKO-FLEX is packaged in 3 foot strips for easy application to cured concrete where a cold joint will be located. Apply SYNKO-FLEX Primer to the cured surface and allow to dry. Peel one of the two protective wrappers off of the SYNKO-FLEX strip. Place the strip onto the primed area and remove the second wrapper. Fresh concrete can then be poured directly against the SYNKO-FLEX. The

Waterstop sealing system is complete when the fresh concrete cures (see illustrations on reverse side). Positioning of SYNKO-FLEX is not as critical of a factor as found with other joint sealants that rely on swelling to achieve a watertight seal. Simply place the SYNKO-FLEX in the keyway, if one exists, or in the center of the area on the cured concrete surface where the cold joint will be located. Since the SYNKO-FLEX formula bonds with the cured concrete from the previous pour and fuses with the fresh concrete during the curing process (rather than swelling upon contact with fresh concrete), there is never a danger of a SYNKO-FLEX joint

ever "blowing out."

For heavily steel-reinforced areas, conventional waterstops are difficult to position and maintain while concrete is being poured. Other joint sealants packaged in coils are also difficult to install due to the size of the coils and the lack of space to properly attach the coils with cut nails to the cured concrete surface. The short 3 foot SYNKO-FLEX strips with high self-adhesion allow easy installation inside the heavily steel-reinforced areas; thus, eliminating application conflict with the rebar.

SYNKO-FLEX's unique formula and packaging provides a simple, easy-to-install solution for effective waterstop sealing. It is also

TABLE 1

CHEMICAL/PHYSICAL PROPERTIES	TEST METHOD	REQUIREMENT	TEST RESULTS
Hydrocarbon Content	ASTM D 4	50% to 70%	65.81%
Inert Filler	AASHTO T111	30% to 50%	32.88%
Volatile Matter	ASTM D 6	2.0% maximum	1.30%
Specific Gravity	ASTM D 71	1.20 to 1.35	1.3153
Ductility	ASTM D 113	5.0 minimum	8.0
Softening Point	ASTM D 36	320 minimum	320
Penetration (150 GTL)	ASTM D 217	50 to 120	70
Flash Point	ASTM D 92	600 minimum	610
Flow Resistance	Fed Spec SSS-210	1" wide joint in vertical position 5 days at 135°	No flow
CHEMICAL RESISTANCE			
Samples immersed for 30 days at 77°F in each of the following:			
5% Solution of Caustic Potash	Fed Spec SSS-210	No visible deterioration	Complies
5% Solution of Hydrochloric Acid	Fed Spec SSS-210	No visible deterioration	Complies
5% Solution of Sulfuric Acid	Fed Spec SSS-210	No visible deterioration	Complies
Saturated Hydrogen Sulfide Solution	Fed Spec SSS-210	No visible deterioration	Complies

The ten-point SPEC-DATA® format has been reproduced from publications copyrighted by CSI, 1964, 1965, 1966, 1967, and used by permission of The Construction Specifications Institute, Alexandria, VA 22314.



resistant to acids, alkalis and hydrogen sulfide gases over the life of the concrete structure.

SYNKO-FLEX has been used since 1968 as a waterstop for cold joints on highway tunnels, airport terminals, marine animal theme parks, hospitals, performing art theatres, parking garages, hotels, office buildings, fish hatcheries, enclosed potable water reservoirs, warehouses, sports complexes and wastewater treatment plants.

4. TECHNICAL DATA

SYNKO-FLEX meets or exceeds all requirements of Federal Specification SSS-210. Quarterly testing is performed through outside independent laboratories to assure that SYNKO-FLEX meets the chemical and physical requirements (see Table 1). These reports are available upon request and are included with every SYNKO-FLEX Certification. Additional tests have been conducted by Shilstone Testing Laboratory, Inc. and Southwest Research Institute to prove SYNKO-FLEX's adhesive bond strength in tension, bond resistance to pneumatic (hydrostatic) pressure, resistance to chemicals and long-term resistance to accelerated hydrostatic pressure.

Adhesive Bond Strength in Tension: This test was performed to demonstrate the suitability of the material for application to fresh-poured concrete to provide flexible watertight seals.

Tension tests were made to determine the comparative strength of adhesion of SYNKO-FLEX to concrete on joints fresh-poured on each side of the compound, and on joints with fresh, wet concrete on one side and cured concrete on the other. Concrete test blocks cast in 2 inch cube molds were allowed to set for seven days before application of the primer. Suitable threaded bolts were cast in blocks for gripping in the tension machine.

SYNKO-FLEX did not separate from the concrete in any manner or pull apart. The elongation took place within the body of the compound, and yielding was in cohesion rather than adhesion.

Bond Resistance to Pneumatic (Hydrostatic) Pressure: This test was performed to determine the

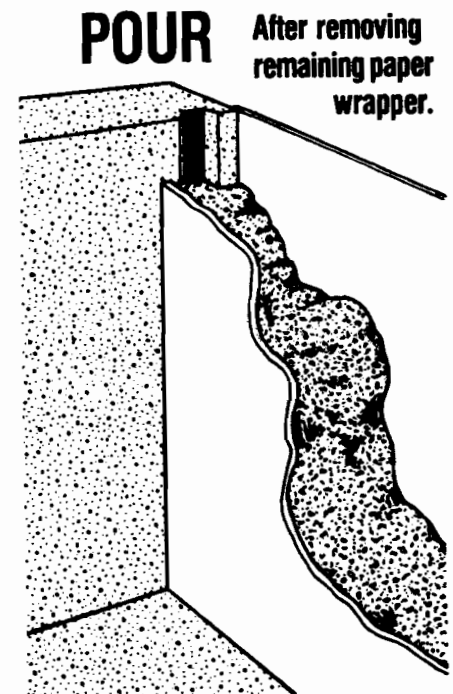
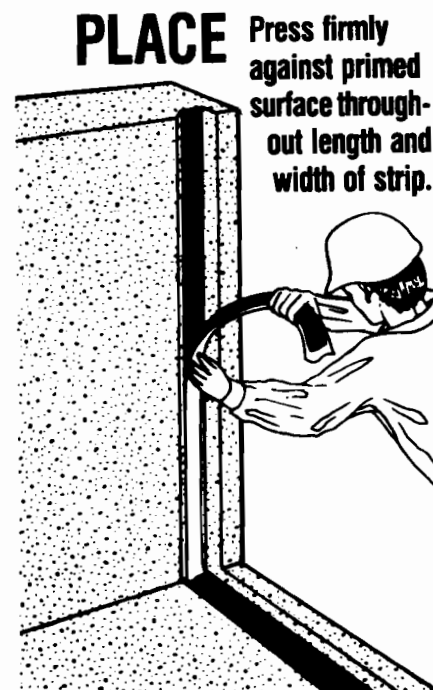
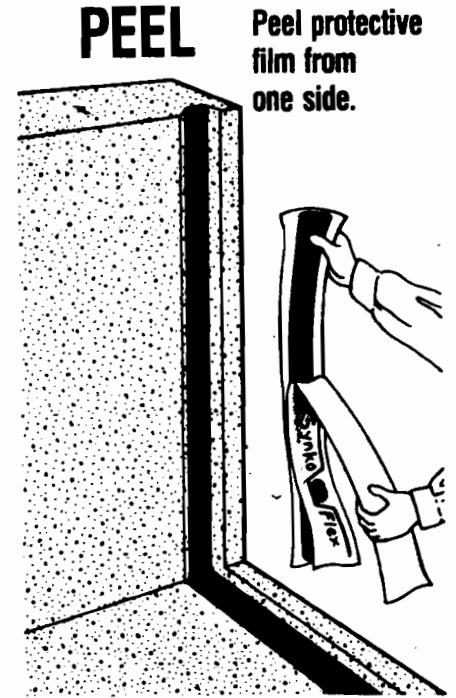
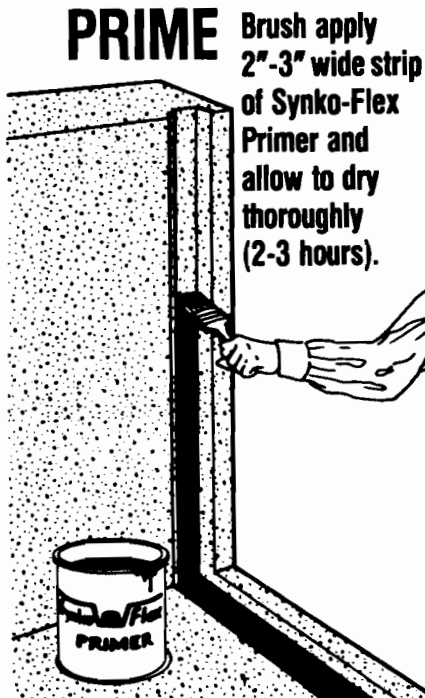
resistance of the material to dislodgement by hydrostatic (or pneumatic) pressures exerting a force parallel to the bond-face plane. The SYNKO-FLEX plugs resisted being forced from the nipples for at least one hour.

SYNKO-FLEX retains bond strength against lateral pressure through its union with other materials for extended periods of time. In addition, it does not flow or blow-through under fluid pressure.

Resistance to Chemicals: The

sealing compound, when immersed separately in a 5% solution of caustic potash, a 5% solution of hydrochloric acid, a 5% solution of sulfuric acid and a saturated hydrogen sulfide solution for 30 days at ambient room temperature, showed no visible deterioration.

SYNKO-FLEX is inert to acids and alkalis and shows no reaction or deterioration in any of the above exposure conditions. However, SYNKO-FLEX is not resistant to petroleum-based liquids such



as gasoline.

Long-Term Resistance to Accelerated Hydrostatic Pressure:

This test was performed to gauge how much hydrostatic pressure SYNKO-FLEX could resist and for how long, to determine if SYNKO-FLEX primer increased the resistance to pressure and to see if placing SYNKO-FLEX in a keyway versus a flat surface made a difference in resistance to hydrostatic pressure.

Four separate concrete cylinder specimens were poured. Each had a floor joint and ceiling joint with SYNKO-FLEX as the sole waterstop in both joints. A hollow cavity was formed in the center of each specimen so that water could be piped inside each to force an internal hydrostatic pressure upon both SYNKO-FLEX joints. Specimens 1 and 2 had keyway joints and were primed prior to installing SYNKO-FLEX. Specimen 3 had keyway joints without primer. Specimen 4 had butt joints (flat surface—no keyway) and was primed.

Specimens 1, 2 and 3 each had a total of 413 to 437 hours of continuous hydrostatic pressure with no leaks. After 413 hours, the pressure on Specimen 3 was raised to 46 psi/105 foot head, resulting in a greater than $\frac{1}{16}$ inch crack developing in the concrete at the cold joint; however, no leaks were observed. Specimen 4 had 30.0 psi/69 foot head for 211 hours with no leaks (see Table 2 for complete results).

5. INSTALLATION

SYNKO-FLEX is basically a prime, peel, place and pour procedure (see illustrations herein). Joint surfaces should be clean and dry before priming and just prior to placing the SYNKO-FLEX strips. Splice the end of each strip to the next strip with a 1 inch overlap. Press firmly so that no air is trapped at the overlap.

During damp or cold conditions, flashing the joint surface with a safe, direct flame should warm and dry the surface adequately. Dipping SYNKO-FLEX strips in warm water during cold weather will soften the material so it can achieve maximum bond to the cured, primed concrete joint area in the coldest weather conditions.

A properly bonded SYNKO-FLEX strip will not come loose if it is pulled on after 30 minutes of being installed. IF STRIPS COME OFF EASILY, REMOVE AND START OVER. Phone (800) 231-4551 if the condition persists.

6. AVAILABILITY AND COST

Availability: SYNKO-FLEX is available throughout the United States, Canada, the United Kingdom and Northern Europe. It is supplied by a growing network of SYNKO-FLEX Authorized Master Distributors. In areas where no Distributor has yet been appointed, SYNKO-FLEX Waterstop is supplied directly from one of six field warehouses operated by SYNKO-FLEX PRODUCTS, Division of Henry Company.

Cost: SYNKO-FLEX Waterstop costs significantly lower than all other conventional and non-conventional waterstops. Installation time is minimal compared to all other waterstops, making SYNKO-FLEX the least expensive waterstop whether compared on a product or applied-cost basis.

7. WARRANTY

Specifications and other information contained herein supersede all previously printed matter and are subject to change without notice.

All goods sold by seller are warranted to be free from defects in material and workmanship and meet the physical and chemical requirements of Federal Specification SSS-210.

The foregoing warranty is in lieu of and excludes all other warranties not expressly set forth herein, whether express or implied by operation of law or otherwise, including but not limited to any implied warranties of merchantability or fitness.

Seller shall not be liable for incidental or consequential losses, damages or expenses, directly or indirectly arising from the sale, handling or use of the goods, or from any other cause relating thereto, and seller's liability hereunder in any case is expressly limited to the replacement (in the form originally shipped) of goods not complying with this agreement or at seller's election, to the repayment of, or crediting buyer with, an amount equal to the purchase price of such goods, whether such claims are for breach of warranty or negligence.

Any claim by buyer with reference to the goods sold hereunder for any cause shall be deemed waived by buyer unless submitted to seller in writing within thirty (30) days from the date buyer discovered or should have discovered any claimed breach.

8. MAINTENANCE

None required

9. TECHNICAL SERVICES

Complete technical information and literature is available from Authorized SYNKO-FLEX Master Distributors or directly from SYNKO-FLEX PRODUCTS, Division of Henry Company. Job-

TABLE 2

Long Term Resistance to Accelerated Hydrostatic Pressure—No Leaks		
Specimen No./Description	Hours	Pressure/Head
1. Keyway, Primed	244.5	11.5 psi/26.4'
	169.3	30.0 psi/68.7'
2. Keyway, Primed	24.5	9.5 psi/21.8'
	244.5	11.5 psi/26.4'
	169.3	30.0 psi/68.7'
3. Keyway, Not Primed	244.5	11.5 psi/26.4'
	169.3	30.0 psi/68.7'
	.0**	46.0 psi/105.0'
4. Primed, No Keyway	32.0	11.0 psi/25.2'
	64.0	15.0 psi/34.5'
	211.0	30.0 psi/68.7'

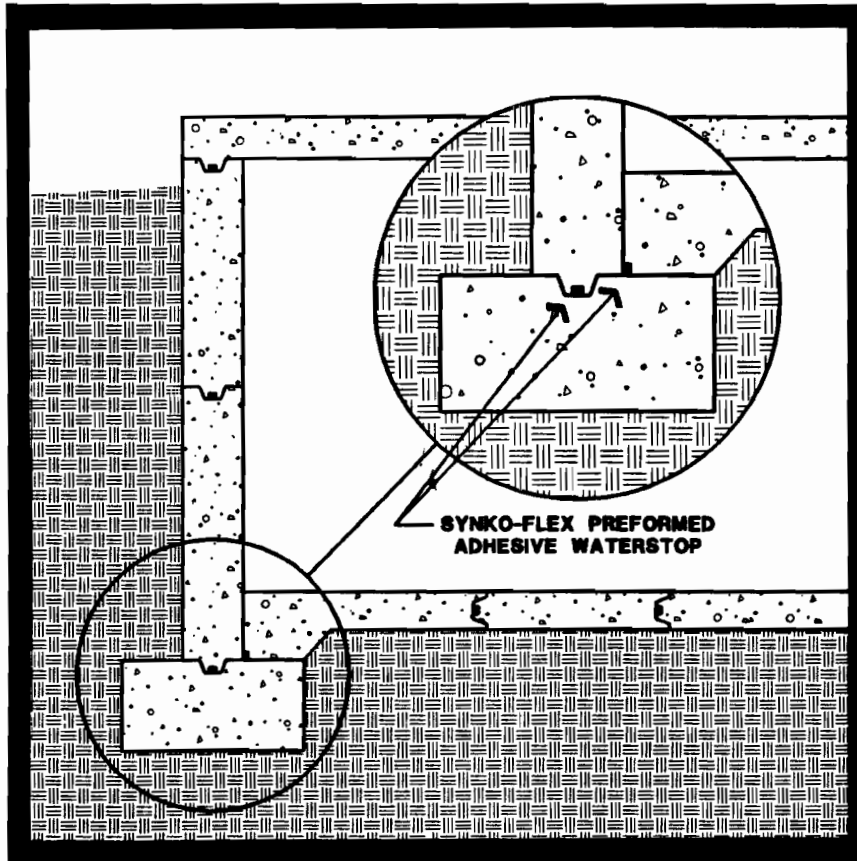
**When pressure raised to 46 psi, a crack greater than $\frac{1}{16}$ -inch developed at the cold joint, no leaks were observed and the test was ended.

site support for the contractor is available upon request from SYNKO-FLEX PRODUCTS. A fee for jobsite travel expenses can be negotiated with the contractor.

10. FILING SYSTEMS

Electronic SPEC-DATA®
SPEC-DATA® II
SYNKO-FLEX Technical Reference
Binder

The Loerden Group "Concrete
Sourcebook"



**DESIGNED AS AN ALTERNATE TO CONVENTIONAL WATERSTOPS FOR USE
IN COLD JOINTS AT A FOOTING, WALL OR SLAB JOINT.**

CHANGE REQUEST


CIN 03

Contract Number: 94-C-0079 Date: 13 Apr 95
 Title and Location: Floodwall London Ave Canal, Parallel Protection
 To: _____ From (POC): Jim Berry

1. DESCRIPTION OF CHANGE (Include Plans, Specs & References):
Add slims between L-type waterstop & pipe sleeve
2. REASON FOR CHANGE: Pipe sleeve goes thru wall at angle
3. AUTHORITY FOR CHANGE: Changes Clause
4. DATE CHANGE DISCOVERED: 12/21/94
5. DESIGN ASSISTANCE REQUIRED? No
6. ESTIMATED COST: 1,200 ESTIMATED TIME: 0
7. COMMENTS/REMARKS: _____
8. STATUS OF FUNDS: _____
9. CONSTRUCTION MANAGER: Jim Berry CHANGE CATEGORY: V

FUNDING REQUEST

1. Please program and commit \$ 1,200⁰⁰ for 3rd Quarter, FY 95
2. Estimated total contract amount is \$ 4,579,967.96 Org Code: VD
3. Accounting Data: 96X3122 BE211100ONOLML Accounting Element 284

DISTRIBUTION	APPROVAL	DATE	FUNDING STAMP
PROJECT MANAGER (Program Funds)		<u>4/13/95</u>	Date <u>4/18/95</u> Funds Available: <u>1200.00</u> Appropriation: <u>96X3122</u> <input checked="" type="checkbox"/> Committed <input type="checkbox"/> Obligated For Signature of: <u>Justin Perry</u> & A Officer (Construction Accounts Clerk)
PP-P (Certify Funds)	<u>William</u>	<u>4/13/95</u>	
F&A (Program/Commit Funds)	<u>J</u>	<u>4/18/95</u>	


Judy Elm x 2944
 Program Analyst (POC)

William R. Marsala
 RICHARD T. HILL
 Chief, Construction Division / Date

Copies Furnished: CELMN-CD-~~EA~~NO CELMN-PP-P CELMN-PP-~~BB~~EB CELMN-CD-CS (BERRY)

Reasonable Contract Estimate

Project: DACW29-94-C-0079, CIN 03
Description: STEEL WEDGES

Worksheet no.	Description	Estimated Quantity	Unit	Unit Price	Estimated Amount
1	WATERSTOPS AT I-WALL	1	LS	\$1,583.64	\$1,583.64
					Total: \$1,583.64
					Estimator: FP  Date: 31 Mar 95
					Checker: Date:

Reasonable Contract Estimate - Detail Summary Sheet:

Prime Contractor

Project:
 DACW29-94-C-0079, CIN 03
 STEEL WEDGES

Bid Item			Equip	Mob & Demob	Labor	Mat'ls	Supply	Sub Total	Dist 20.02%	Total Cost	Unit Cost	Amount
Designation	Qty	Unit										
WATERSTOPS AT I-WALL	1	LS	\$165.73		\$794.64	\$359.16		\$1,319.53	\$264.11	\$1,583.64	\$1,583.64	\$1,583.64
Overhead	10.00%											
Profit	8.03%											
Bond	1.00%											
Total:	20.02%											
Totals			\$165.73		\$794.64	\$359.16		\$1,319.53	\$264.11	\$1,583.64		\$1,583.64

Reasonable Contract Estimate Worksheet - Equipment and Labor

Project:
 DACW29-94-C-0079, CIN 03
 WATERSTOPS AT I-WALL

Unit of Equipment	No.	Hours	Rate	Amount
PICKUP TRUCK	1	8	9.50	76.00
WELDING MACHINE (PER DAY)	1	1	50.00	50.00
Subtotal:				126.00
Mobilization and Demobilization:				
Small Tools:	5.00%	of labor:		39.73
Total Equipment Cost:				165.73
Labor	No.	Hours	Rate	Amount
FOREMAN	1	8	20.79	166.32
LABORER	2	24	10.78	517.44
WELDER	1	8	13.86	110.88
Total Labor Cost:				794.64
Total equipment and labor:				960.37
Remarks:		Date:	Estimator:	FP
			Checker:	

Reasonable Contract Estimate Worksheet - Material and Supplies

Project:
 DACW29-94-C-0079, CIN 03
 WATERSTOPS AT I-WALL

Material	Unit	Quantity	Price	Amount
1" X 3" PREFORMED ASPHALT EXPANSION MATERIAL*	FT	100	1.00	100.00
1-1/4" DIA. ROBSEAL BACKER ROD*	FT	100	0.27	27.00
1" X 3/4" EXPANDABLE WATERSTOP-RX*	FT	100	1.40	140.00
1 GAL OF ADHESIVE FOR EXP WATERSTOP*	GAL	1	30.00	30.00
FIELD MOLDED SEALANT*	FT	90	0.25	22.50
1/2 X 3 FB	FT	20	0.50	10.00
*ITEMS PRICED FROM STEVE @ BUILDING SPECIALTIES CO. 895-0322				
Sales Tax			9.00%	29.66
Total				359.16
Supplies	Unit	Quantity	Price	Amount
Total Supplies Cost				
Total Material and Supplies:				359.16
Remarks:		Date:	Estimator:	FP
			Checker:	

MODIFICATION PACKAGE INDEX

Contract Number: 94-c-0079 CIN: 03

Description of Change: Add steel shims between L-type waterstop } pipe sleeve

Office Engineer: PEREZ

ITEM	DOCUMENT	DATE	INITIALS	REMARKS
1	Request for Change from User/Engr Div	12/15/94	JJW	Received 12/21/94 INception DATE
2	Unpriced Change Order with Memo and SF30 NTP			
3	Correspondence			
4	Request for Proposal			
5	Government Estimate or Worksheet			
6	Contractor's Proposal			
7	Funds Availability Statement			
8	Standard Form 30			
9	Post Negotiation Memorandum			

NOTE: ITEMS LISTED ARE PERFORMED AS REQUIRED AND THE LISTING SHOWN DOES NOT INDICATE A SET SEQUENCE TO BE FOLLOWED.

Profit Factor
 Prime Contractor

Project: DACW29-94-C-0079, CIN 03
 Description: STEEL WEDGES

Estimator: DMU
 Checker: FP

Factor	Rate	Weight (0.03-0.012)	Value
1. Degree of Risk	20	0.075	1.50%
2. Relative Difficulty of Work	15	0.075	1.13%
3. Size of Job	15	0.120	1.80%
4. Period of Performance	15	0.000	0.00%
5. Contractor's Investment	5	0.075	0.38%
6. Assistance by Government	5	0.120	0.60%
7. Subcontracting	25	0.105	2.63%
Profit Factor:			8.03%

Reasons for Weights Assigned

1. Average
2. Average
3. Less than \$100,000.00
4. No additional time required
5. Average
6. No assistance
7. Subcontracting (20%)



REPLY TO
ATTENTION OF:

DEPARTMENT OF THE ARMY
NEW ORLEANS DISTRICT, CORPS OF ENGINEERS
P.O. BOX 80287
NEW ORLEANS, LOUISIANA 70180-0287

M. PEREZ/1245 *JH*

JH
MORTON
CELMN-CD-NO-E

March 30, 1995

DUHON
CELMN-CD-NO-Q

JH
HABBAZ
CELMN-CD-NO

BERNARD
CELMN-CD-NO

JH
ASHLEY
CELMN-CD-NO

New Orleans Area Office

SUBJECT: Contract Number DACW29-94-C-0079, Lake Pontchartrain, Louisiana and Vicinity, High Level Plan, London Avenue Outfall Canal, Parallel Protection, Mirabeau Avenue to Robert E. Lee Boulevard, West Bank; Mirabeau Avenue to Leon C. Simon Boulevard, East Bank Floodwall, Orleans Parish, Louisiana

B&K Construction Company, Incorporated
905 Highway 59
Mandeville, LA 70448

Gentlemen:

The request for proposal dated January 9, 1995 is rescinded and replaced with the following:

a. Telephone Cable Tray: adding an anchor plate and a water stop on the periphery of the cable tray box as shown on the attached drawing 41 of 73, FILE NO. H-4-40295, bearing revision 1, dated February 3, 1995.

b. Siphon Crossing: adding a water stop between the siphon crossings and the concrete I-Wall as shown on the attached drawing 43 of 73, FILE NO. H-4-40295, bearing revision 1, dated March 27, 1995.

You are requested to furnish a proposal for this modification no later than April 12, 1995. The proposal should be broken down in sufficient detail for the analysis of the elements of labor, equipment, materials, supplies and appropriate mark-ups. It should also include any time extensions required for the performance of the work. We have assigned this change CIN 03, any further correspondence relative thereto should refer to this number.

Upon receipt of your proposal and evaluation by the Government, you will be contacted to establish a date for negotiations. This is not a notice to proceed with the change. Do not start work under this proposed change until you have been authorized to do so.

The point of contact for this modification is Mr. Fidel Perez
at 862-1245.

Sincerely,

Chester Ashley
Administrative Contracting
Officer

Enclosures

CF:

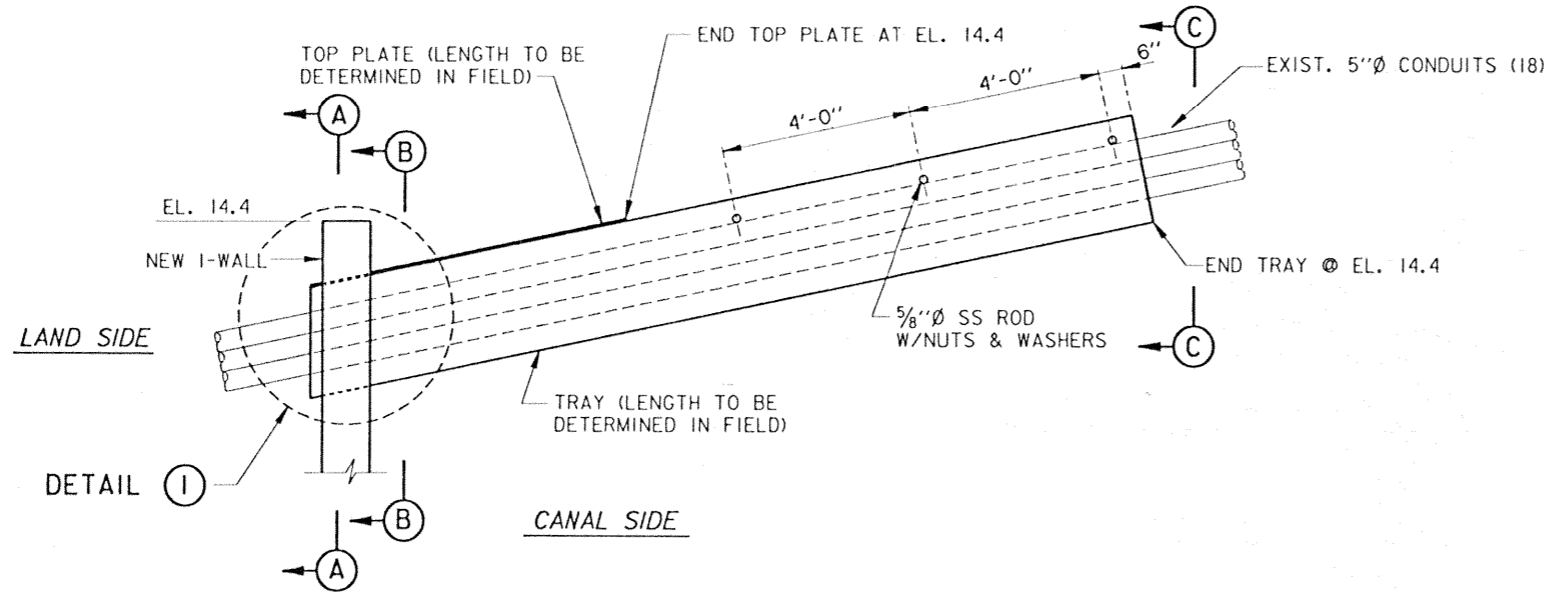
CELMN-CD-CS (Berry)

CELMN-CT

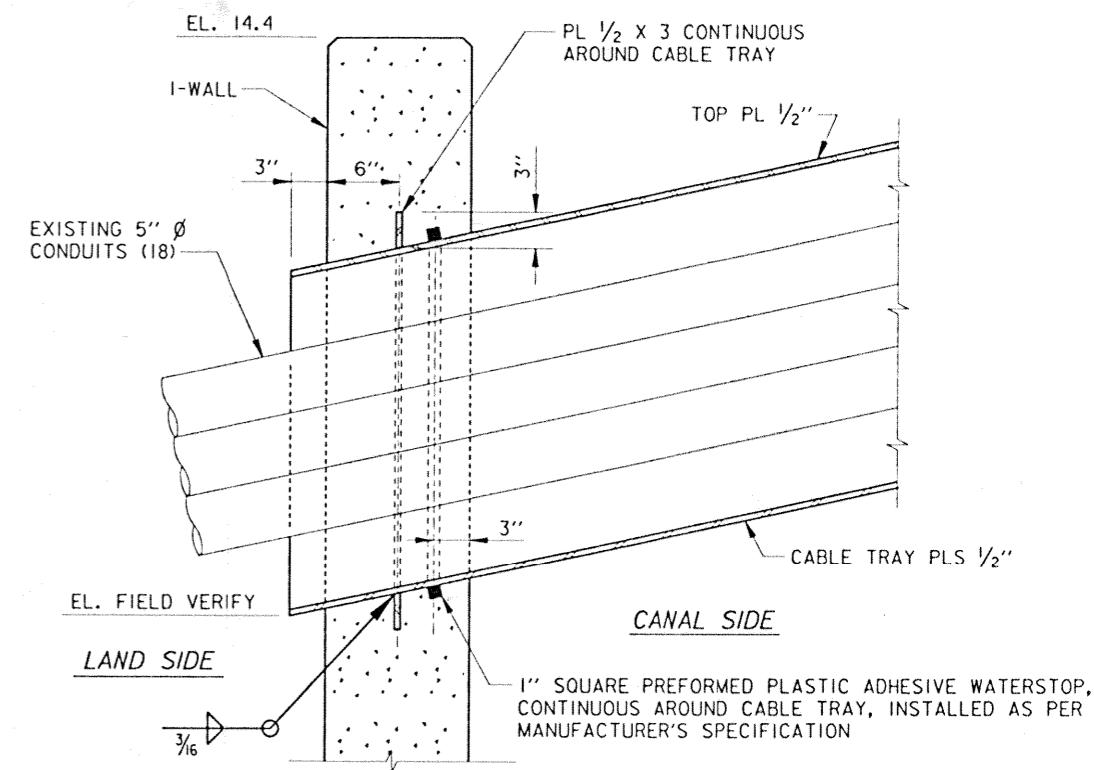
Proj engr (Wagner)

Ofc Engr (Perez)

Safety is a Part of Your Contract

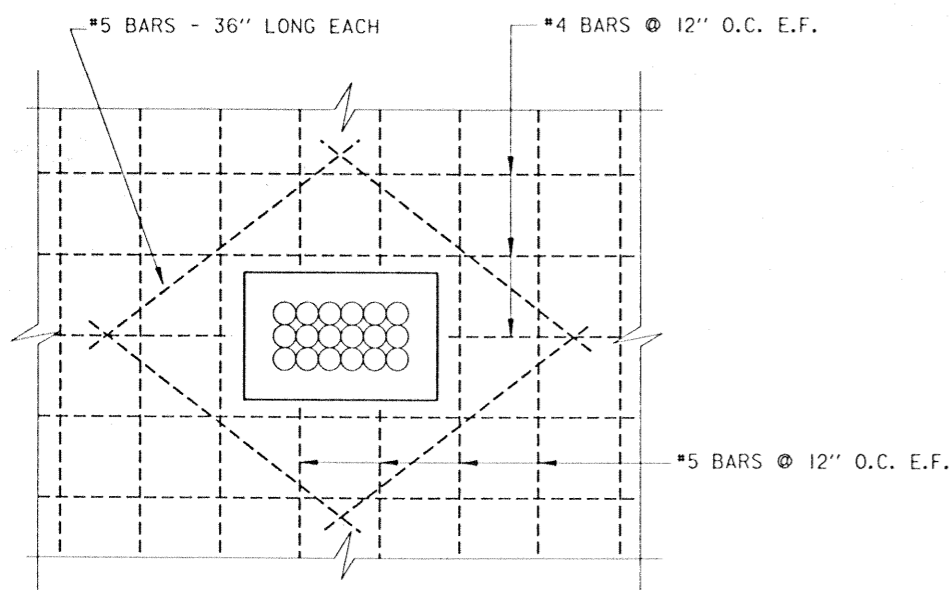


DETAIL OF TELEPHONE CABLE THRU I-WALL
N.T.S.

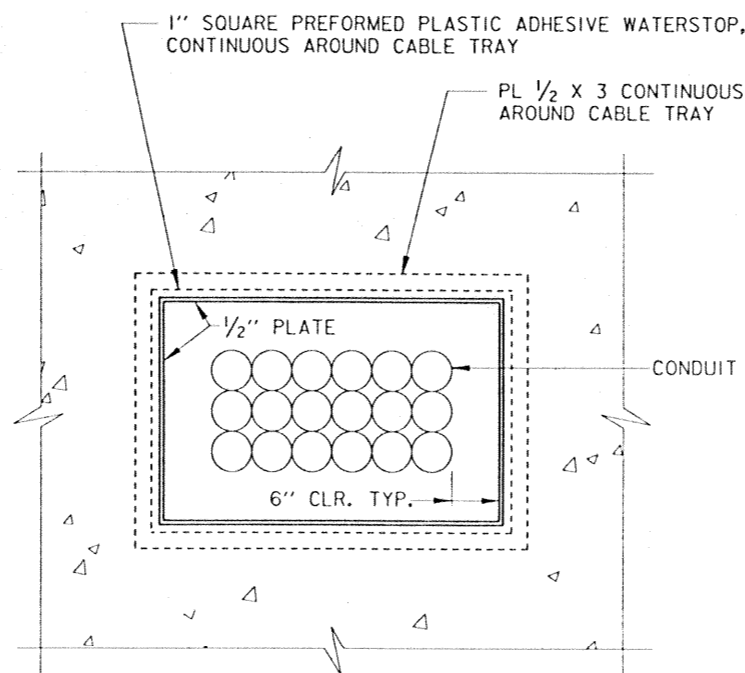


DETAIL ①
SCALE: 1 1/2\"/>

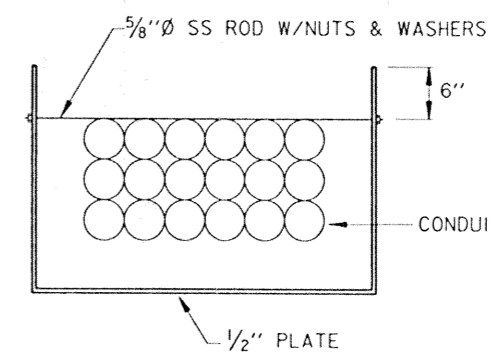
1\"/>



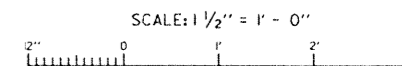
SECTION (A)
N.T.S.



SECTION (B)
N.T.S.



SECTION (C)
N.T.S.



THIS PLAN ACCOMPANIES
MODIFICATION P0000
TO CONTRACT NUMBER
DACW29-94-C-0079

SYMBOL	DESCRIPTION	DATE	APPROVED
△	GENERAL REVISIONS AND ADDED DETAIL, MOD.	2-3-95	B.K.I.

U. S. ARMY ENGINEER DISTRICT, NEW ORLEANS
CORPS OF ENGINEERS
NEW ORLEANS, LOUISIANA

BURK - KLEINPETER, INC.
ENGINEERS, ARCHITECTS, PLANNERS, ENVIRONMENTAL SCIENTISTS
NEW ORLEANS, LOUISIANA

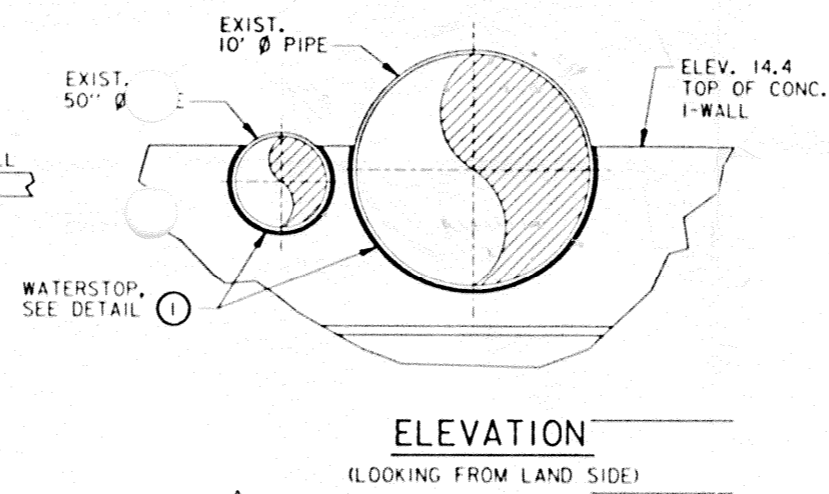
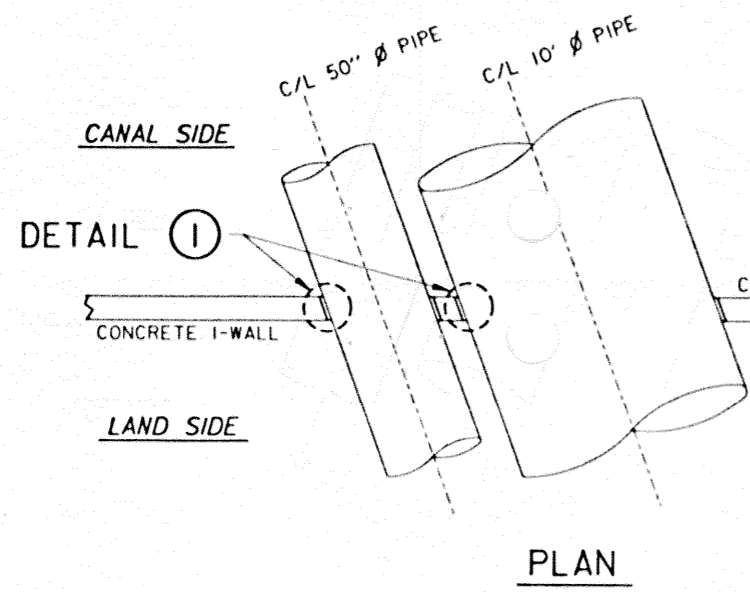
GOTECH, INC.
CONSULTING ENGINEERS
BATON ROUGE, LOUISIANA

LAKE PONTCHARTRAIN, L.A. AND VICINITY
HIGH LEVEL PLAN
LONDON AVE. OUTFALL CANAL, PARALLEL PROTECTION
MIRABEAU AVE. TO ROBERT E. LEE BLVD., WEST BANK
MIRABEAU AVE. TO LEON C. SIMON BLVD., EAST BANK
ORLEANS PARISH, LOUISIANA
TELEPHONE CABLE CROSSING DETAILS
WEST SIDE

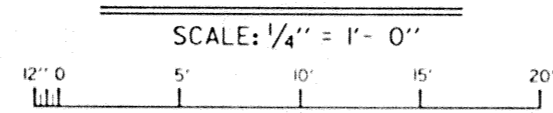
DESIGNED BY: B.D.	DATE: 02/94	PLOT SCALE: 12	PLOT DATE: 02/04/94
DRAWN BY: M.W.B.	CHECKED BY: B.D.	FILE NO. H-4-40295	
SUBMITTED BY: MICHAEL G. JACKSON, P.E.	SOLICITATION NO. DACW29-94-B-0047	DWG. 41 OF 73	



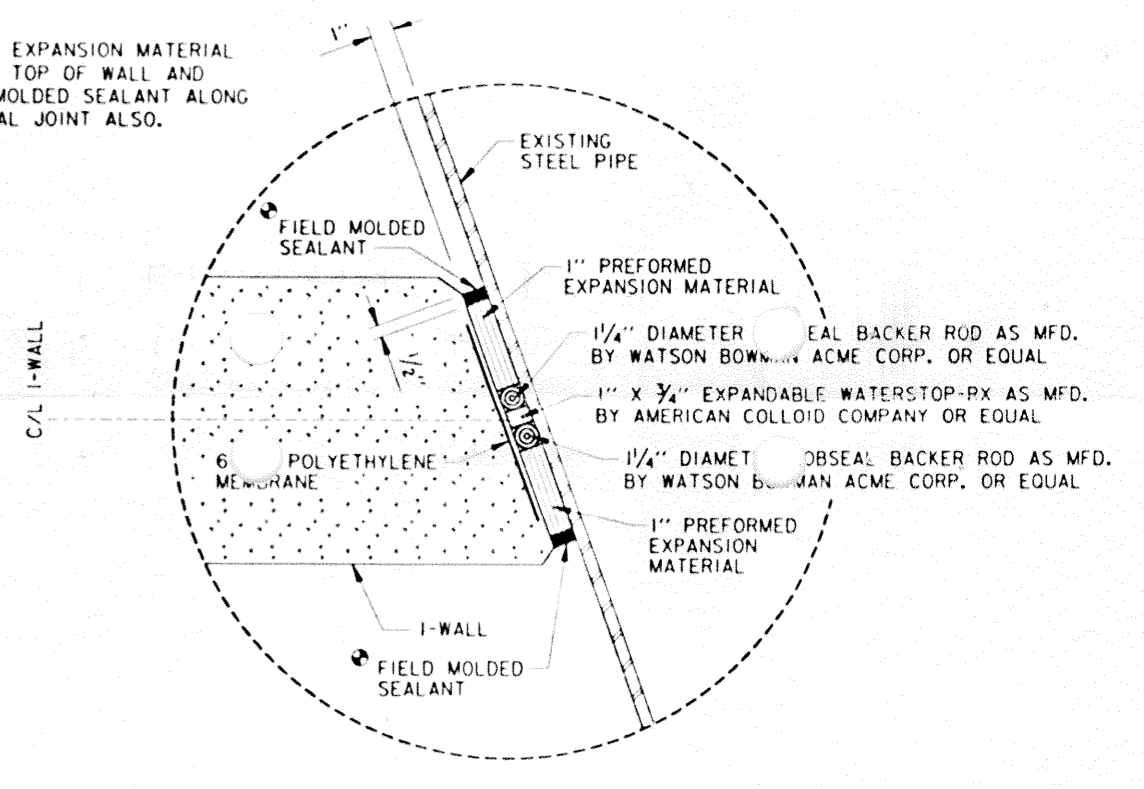
Safety is a Part of Your Contract



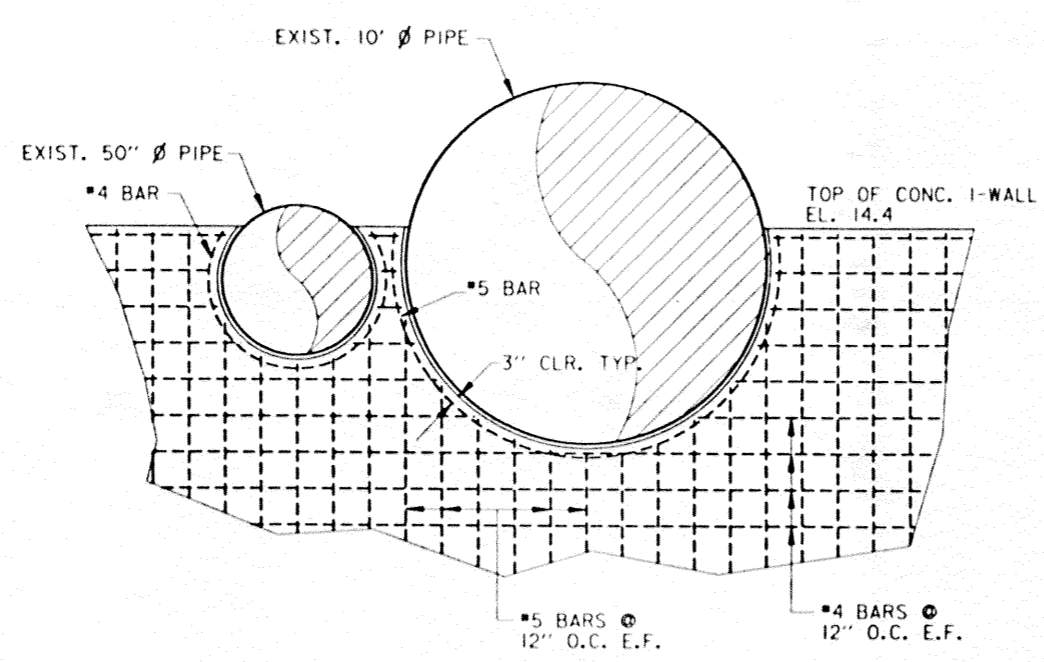
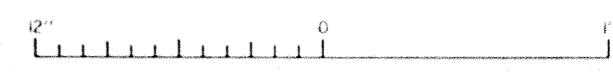
WATERSTOP DETAIL



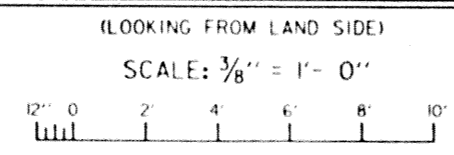
RECESS PREFORMED EXPANSION MATERIAL A 1/2" ACROSS THE TOP OF WALL AND APPLY THE FIELD MOLDED SEALANT ALONG THE TOP HORIZONTAL JOINT ALSO.



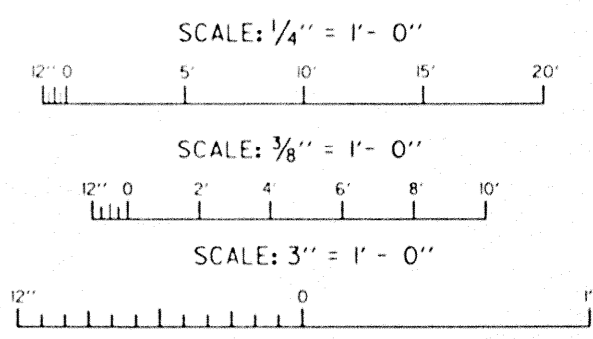
SCALE: 3" = 1'-0"



WEST SIDE REINFORCEMENT DETAIL AT SIPHON CROSSING



THIS PLAN ACCOMPANIES MODIFICATION P000 TO CONTRACT NUMBER DACW29-94-C-0079



SYMBOL	DESCRIPTION	DATE	APPROVED
△	GENERAL REVISIONS AND ADDED DETAIL, MOD.	3-27-95	B.K.L.

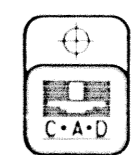
U. S. ARMY ENGINEER DISTRICT, NEW ORLEANS
CORPS OF ENGINEERS
NEW ORLEANS, LOUISIANA

BURK - KLEINPETER, INC. GOTECH, INC.
NEW ORLEANS, LOUISIANA BATON ROUGE, LOUISIANA

LAKE PONCHARTRAIN, LA. AND VICINITY
HIGH LEVEL PLAN
LONDON AVE. OUTFALL CANAL, PARALLEL PROTECTION
MIRABEAU AVE. TO ROBERT E. LEE BLVD., WEST BANK
MIRABEAU AVE. TO LEON C. SIMON BLVD., EAST BANK
ORLEANS PARISH, LOUISIANA

SIPHON CROSSING DETAILS WEST SIDE

DESIGNED BY: B.D.	DATE: 02/94	PLOT SCALE: 12	PLOT DATE: 02/04/94
DRAWN BY: M.R.B.	CHECKED BY: B.D.	CASE FILE: 40294000	FILE NO: H-4-40295
SUBMITTED BY: MICHAEL G. JACKSON, P.E.	DATE: 02/29/94	PROJECT NO: 0047	DWG. 43 OF 73



January 9, 1995

New Orleans Area Office

SUBJECT: Contract Number DACW29-94-C-0079, Lake Pontchartrain, Louisiana and Vicinity, High Level Plan, London Avenue Outfall Canal, Parallel Protection, Mirabeau Avenue to Robert E. Lee Boulevard, West Bank; Mirabeau Avenue to Leon C. Simon Boulevard, East Bank Floodwall, Orleans Parish, Louisiana

B&K Construction Company, Incorporated
905 Highway 59
Mandeville, LA 70448

JM 1/10/95
MORTON

CELMN-CD-NO-E

B
HABBAZ

CELMN-CD-NO

B
BERNARD

CELMN-CD-NO

as
ASHLEY

CELMN-CD-NO

Gentlemen:

The Government is proposing to modify the subject contract by adding a top and bottom wedge plate to the L-shaped water stop for the telephone cable crossing as shown on the attached drawing 41 of 73, FILE NO. H-4-40295, bearing revision 1, dated November 10, 1994.

You are requested to furnish a proposal for this modification no later than January 19, 1995. The proposal should be broken down in sufficient detail for the analysis of the elements of labor, equipment, materials, supplies and appropriate mark-ups. It should also include any time extensions required for the performance of the work. This change has been assigned CIN 03, any further correspondence relative thereto should make reference to this number.

Upon receipt of your proposal and evaluation by the Government, you will be contacted to establish a date for negotiations. This is not a notice to proceed with the change. Do not start work under this proposed change until you have been authorized to do so.

The point of contact for this modification is
Mr. Fidel Perez at 862-1245.

Sincerely,

Richard T. Hill
Contracting Officer's
Authorized Representative

Enclosures

CF:

CELMN-CD-CC (Berry)

CELMN-CT

Project Engr (Wagner)

Office Engr (Perez)

PEREZ FP

MORTON _____

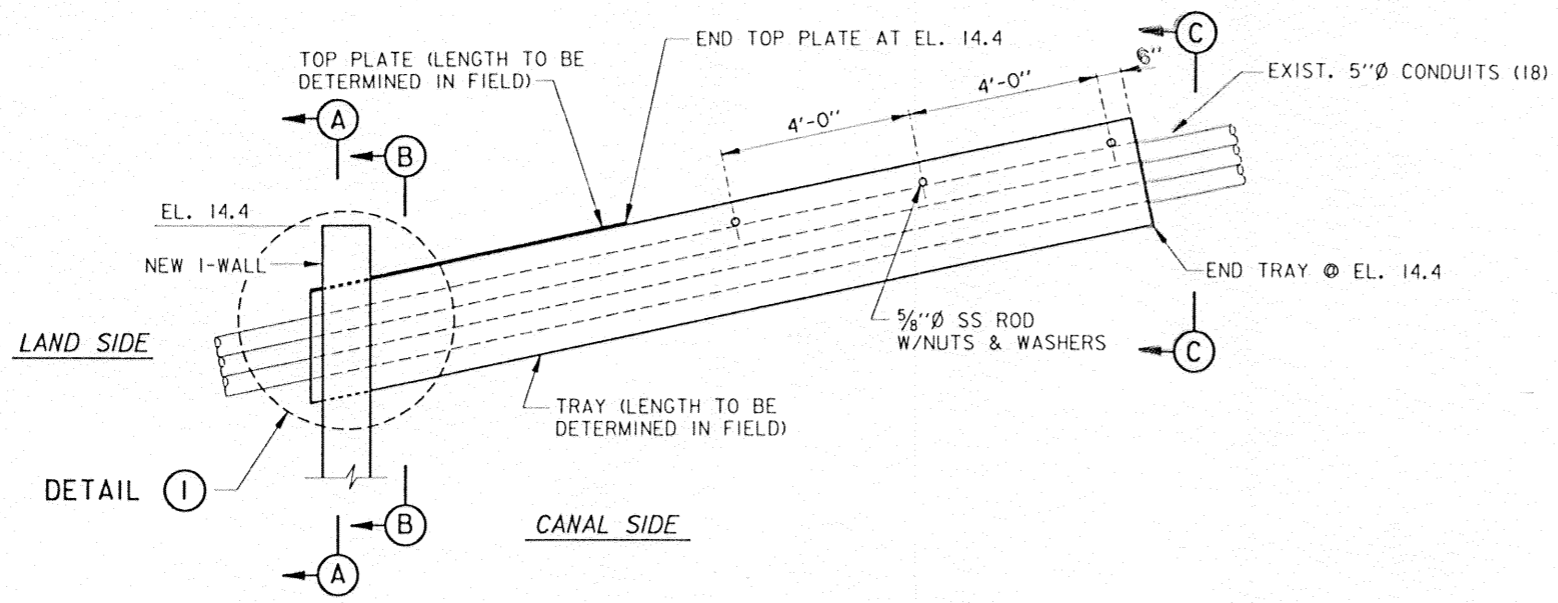
WAGNER gw

DUHON D

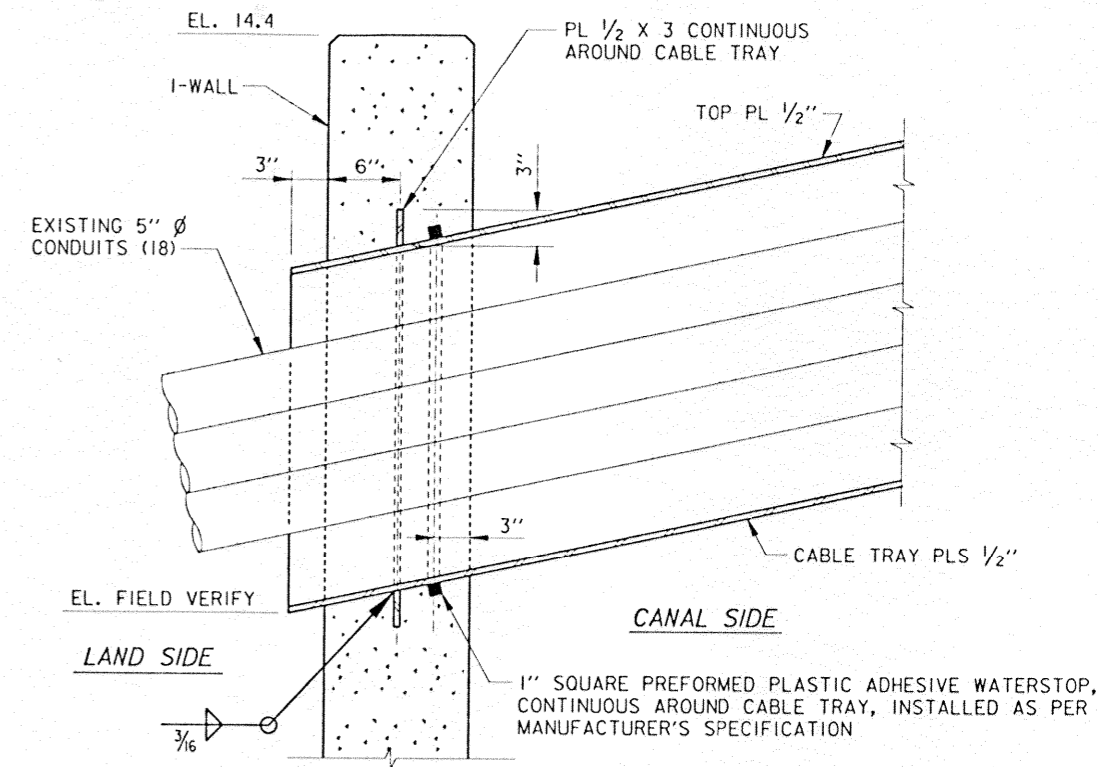
BERNARD MB

ASHLEY at

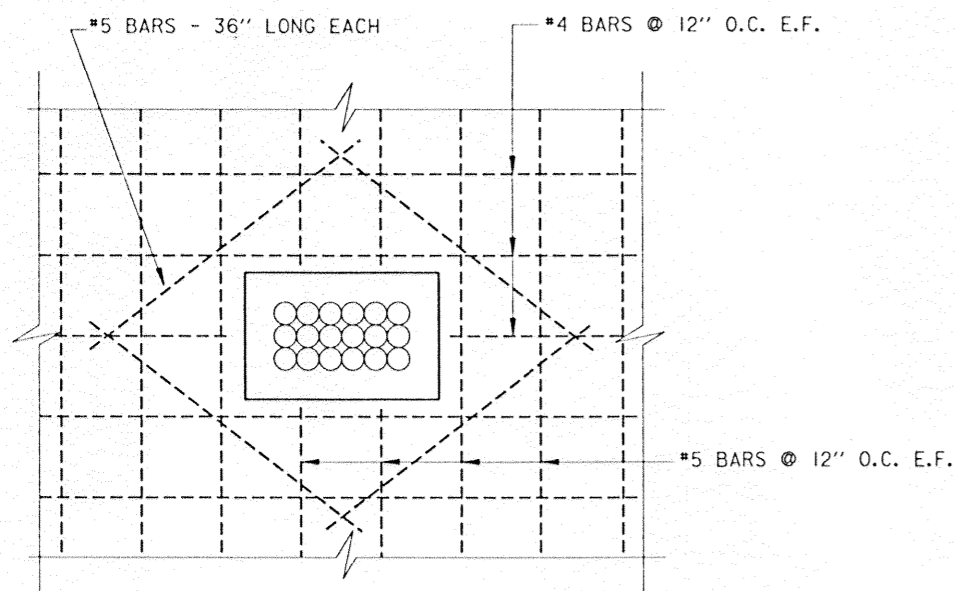
Safety is a Part
of Your Contract



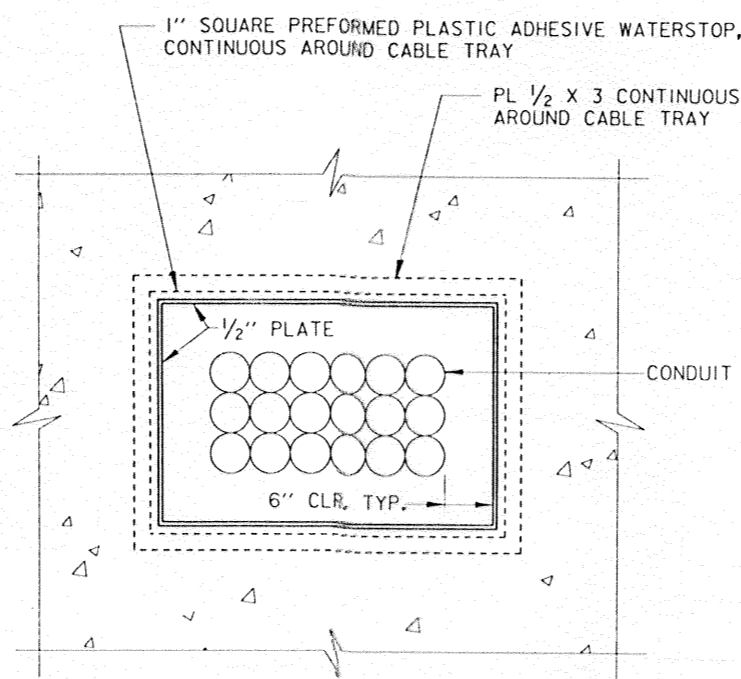
DETAIL OF TELEPHONE CABLE THRU I-WALL
N.T.S.



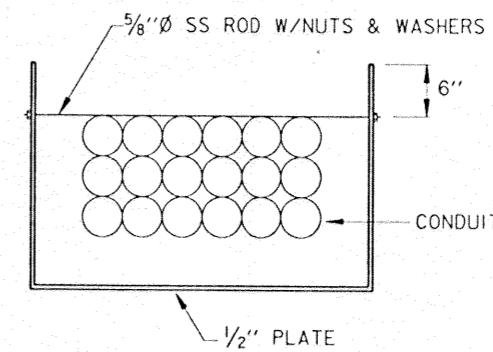
DETAIL I
SCALE: 1 1/2" = 1' - 0"



SECTION A
N.T.S.



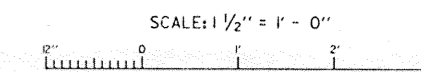
SECTION B
N.T.S.



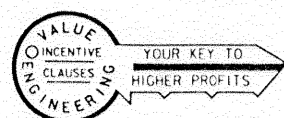
SECTION C
N.T.S.

1" SQUARE PREFORMED PLASTIC ADHESIVE WATERSTOP, CONTINUOUS AROUND CABLE TRAY, INSTALLED AS PER MANUFACTURER'S SPECIFICATION

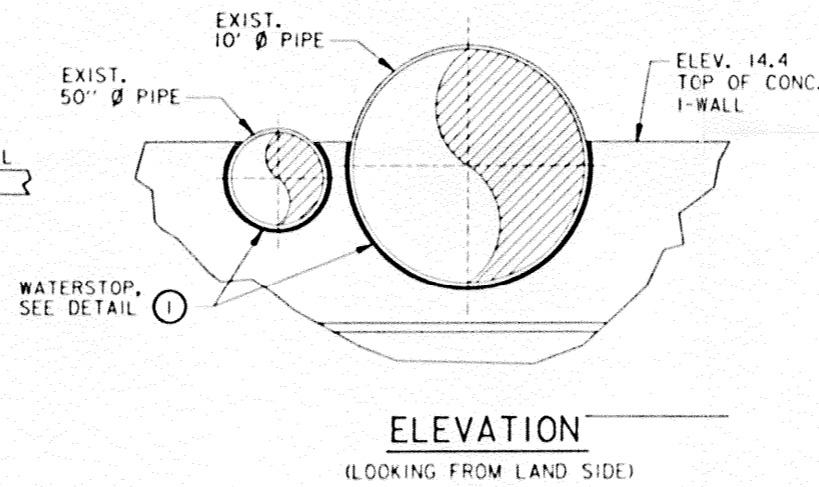
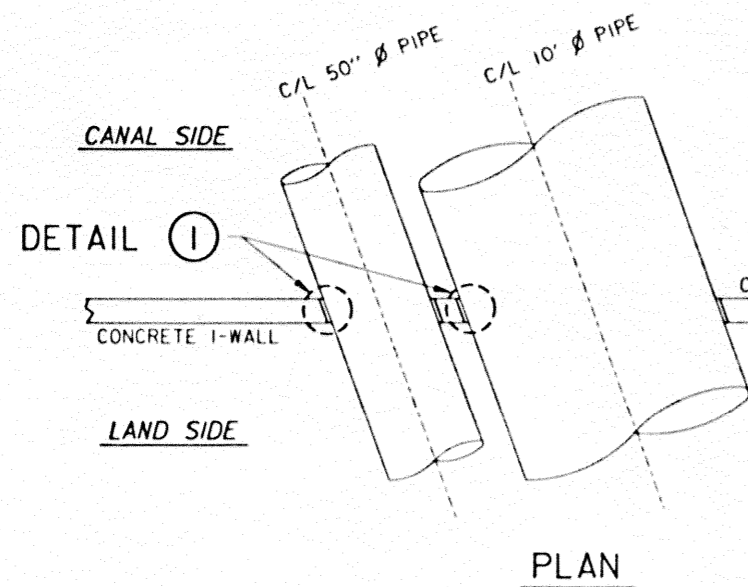
THIS PLAN ACCOMPANIES
MODIFICATION P0000
TO CONTRACT NUMBER
DACW29-94-C-0079



SYMBOL	DESCRIPTION	DATE	APPROVED
△	GENERAL REVISIONS AND ADDED DETAIL, MOD.	2-3-95	B.K.L.
REVISIONS			
U. S. ARMY ENGINEER DISTRICT, NEW ORLEANS CORPS OF ENGINEERS NEW ORLEANS, LOUISIANA			
BURK - KLEINPETER, INC. <small>ENGINEERS, ARCHITECTS, PLANNERS, ENVIRONMENTAL SCIENTISTS</small> NEW ORLEANS, LOUISIANA		GOTECH, INC. <small>CONSULTING ENGINEERS</small> BATON ROUGE, LOUISIANA	
LAKE PONTCHARTRAIN, LA. AND VICINITY HIGH LEVEL PLAN LONDON AVE. OUTFALL CANAL, PARALLEL PROTECTION MIRABEAU AVE. TO ROBERT E. LEE BLVD., WEST BANK MIRABEAU AVE. TO LEON C. SIMON BLVD., EAST BANK ORLEANS PARISH, LOUISIANA TELEPHONE CABLE CROSSING DETAILS WEST SIDE			
DESIGNED BY: B.D.	DATE: 02/94	PLOT SCALE: 12	PLOT DATE: 02/04/94
DRAWN BY: M.W.B.	CHECKED BY: B.D.	CADD FILE: 4029541.DGN	FILE NO. H-4-40295
SUBMITTED BY: MICHAEL G. JACKSON, P.E.	SOLICITATION NO. DACW29-94-B-0047		DWG. 41 OF 73
<small>BURK-KLEINPETER, INC.</small>			

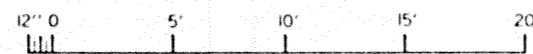


Safety is a Part of Your Contract

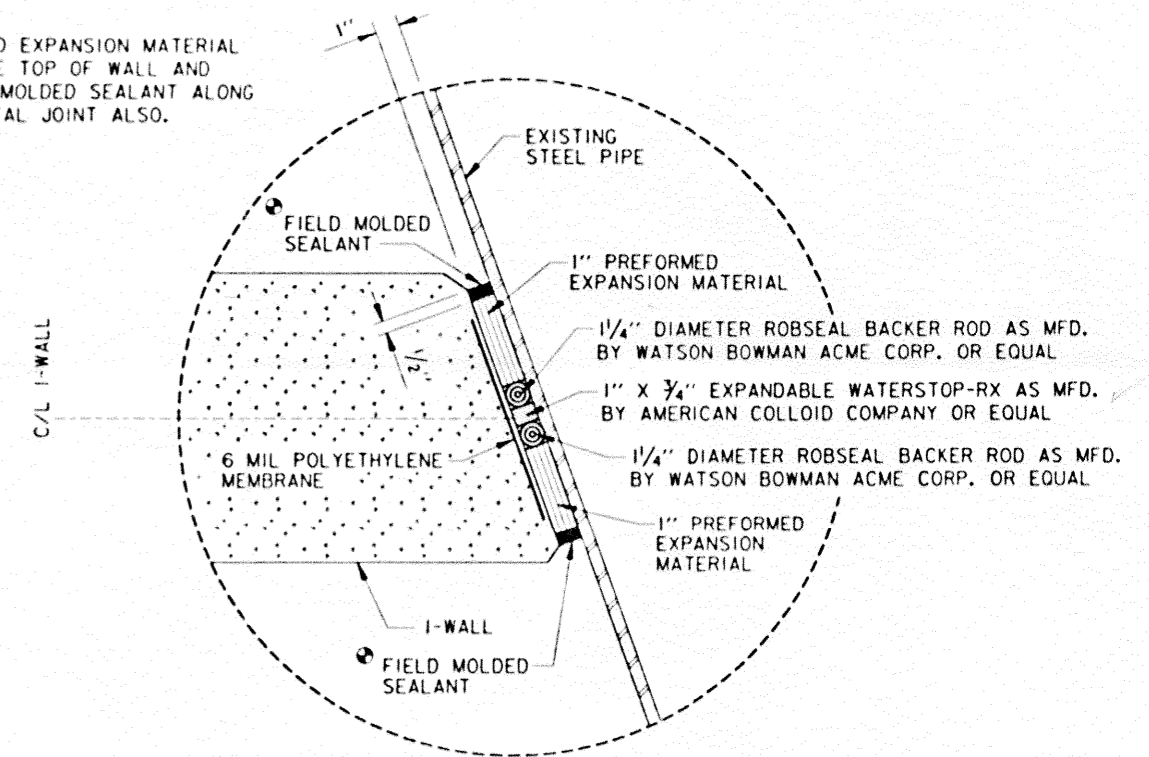


WATERSTOP DETAIL

SCALE: 1/4" = 1' - 0"

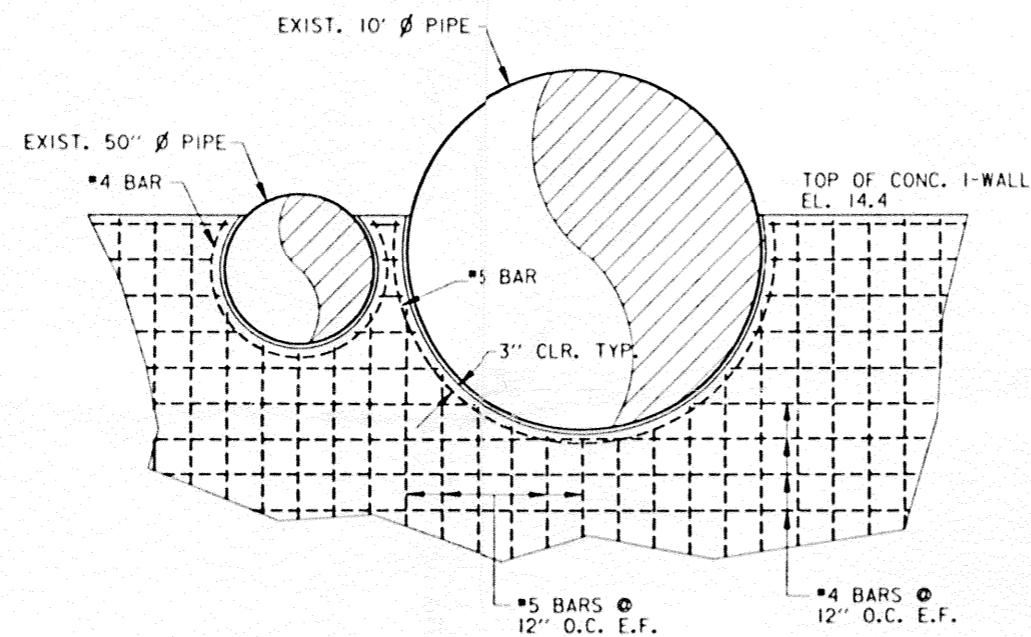
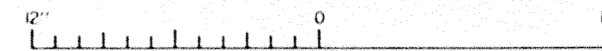


RECESS PERFORMED EXPANSION MATERIAL A 1/2" ACROSS THE TOP OF WALL AND APPLY THE FIELD MOLDED SEALANT ALONG THE TOP HORIZONTAL JOINT ALSO.



DETAIL 1

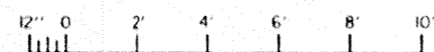
SCALE: 3" = 1' - 0"



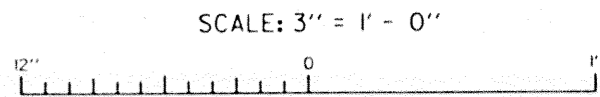
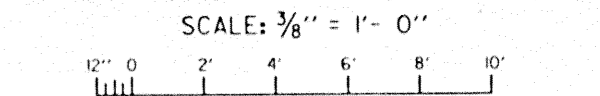
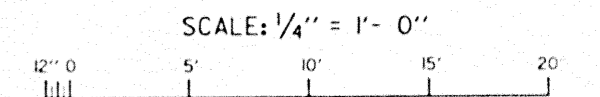
WEST SIDE REINFORCEMENT DETAIL AT SIPHON CROSSING

(LOOKING FROM LAND SIDE)

SCALE: 3/8" = 1' - 0"



THIS PLAN ACCOMPANIES MODIFICATION P000 TO CONTRACT NUMBER DACW29-94-C-0079



REVISIONS			
SYMBOL	DESCRIPTION	DATE	APPROVED
△	GENERAL REVISIONS AND ADDED DETAIL, MOD.	3-27-95	B.K.I.

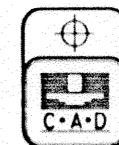
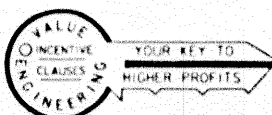
U. S. ARMY ENGINEER DISTRICT, NEW ORLEANS
 CORPS OF ENGINEERS
 NEW ORLEANS, LOUISIANA

BURK - KLEINPETER, INC.
 ENGINEERS, ARCHITECTS, PLANNERS, ENVIRONMENTAL SCIENTISTS
 NEW ORLEANS, LOUISIANA

GOTECH, INC.
 CONSULTING ENGINEERS
 BATON ROUGE, LOUISIANA

LAKE PONTCHARTRAIN, LA. AND VICINITY
 HIGH LEVEL PLAN
 LONDON AVE. OUTFALL CANAL, PARALLEL PROTECTION
 MIRABEAU AVE. TO ROBERT E. LEE BLVD., WEST BANK
 MIRABEAU AVE. TO LEON C. SIMON BLVD., EAST BANK
 ORLEANS PARISH, LOUISIANA
SIPHON CROSSING DETAILS
 WEST SIDE

DESIGNED BY: B.D.	DATE: 02/94	PLOT SCALE: 12	PLOT DATE: 02/04/94
DRAWN BY: M.W.B.	CADD FILE: 4029541.DWG	FILE NO. H-4-40295	
CHECKED BY: B.D.	SUBMITTED BY: MICHAEL G. JACKSON, P.E.	SOLICITATION NO. DACW29-94-B-0047	DWG. 43 OF 73



Standard Form 30

Block 5: CIN 03

Block 6: U.S. Army Engineer District, New Orleans
Corps of Engineers
P.O. Box 60267
New Orleans, LA 70160-0267

Block 8: B&K Construction Company, Inc.
1905 Highway 59
Mandeville, LA 70448

Block 10A: DACW29-94-C-0079

Block 10B: 11 July 1994

Block 12: Funds are available in the amount of \$939.96 under appropriation 96X3122, BEC2111000NOLML, Lake Ponchartrain, New Orleans East Unit.

Block 13: Check box 'A'. CC I.83 CHANGES
"X" in "is required" block
"ORIGINAL" in blank
line thru "copies"

Block 14: Description of modification.

The following change is made to the above numbered contract:

Make a waterproof connection between the siphon pipes and the I-Wall at the pumping station and the electrical cable tray penetrating the wall.

Perez_____

Morton_____

Wagner_____

Duhon_____

Whitten *W*_____

Perez_____

Morton_____

14. Description of Amendment/Modification (Cont.)

Changes to the Bidding Schedule: The schedule of Contract Items, Descriptions, Estimated Quantities, Units, Unit Prices, and Estimated Amounts is modified as follows:

Item No.	Description	Est Qty	Unit	Est Amount	Amt. of Change
0014	Reinforced Concrete Floodwall	LS	--	\$1,488,259.96	(+)\$939.96

Changes to the Contract Specifications: The contract specifications are changed as follows.

1. Add the following paragraph "C3C-6.3 Field Molded Sealants shall conform to Federal Specification TT-S-227e, Type II for vertical joints, Class A. Bond breaker material shall be polyethylene tape, coated paper, metal foil or similar type materials. The backup material shall be compressible, nonshrink, nonreactive with sealant, and nonabsorptive material type such as extruded butyl or polychloroprene foam rubber."
2. Add the following paragraph "C3C-7.1.1 Joints with Field Molded Sealant Joints shall not be sealed when the sealant, air, or concrete temperature is less than 40 degrees Fahrenheit. Joints shall be primed and filled with the joint sealant specified in C3C-6.3 in accordance with the manufacturer's recommendation except that existing protective paint coatings on Sewerage and Water Board pipes shall be cleaned but not removed."

Changes to the Contract Drawings: The contract drawings are changed as follows:

1. Delete drawing 41 of 73, FILE NO. H-4-40295, dated February 1994, and substitute with drawing 41 of 73, FILE NO. H-4-40295, bearing revision 1, dated February 3, 1995.
2. Delete drawing 43 of 73, FILE NO. H-4-40295, dated February 1994, and substitute with drawing 43 of 73, FILE NO. H-4-40295, bearing revision 1, dated March 27, 1995.

Changes to the Contract Price: The contract price is increased by \$939.96.

Changes to the Contract Time: The contract time is increased by 1 day.

It is further understood and agreed that this adjustment constitutes compensation in full on behalf of the contractor, its subcontractors and suppliers for all costs and markups directly or indirectly attributable to the changes ordered, for all delays, impacts and extended overhead related thereto, and for performance of the change within the time frame stated.

CELMN-CD-NO

28 Aug 95

MEMORANDUM THRU C/Const Div, ATTN: Contr Admin Br

FOR C/Contr Div

SUBJECT: Contract No. DACW29-94-C-0079, Lake Pontchartrain, LA & Vicinity, HLP, London Avenue Outfall Canal, Parallel Protection, Mirabeau Avenue to Robert E. Lee Blvd., West Bank; Mirabeau Avenue to Leon C. Simon blvd., East Bank Floodwall, Orleans Parish, Louisiana

Modification P00009, CIN03 to the subject contract is forwarded for the contract file.

Enclosure

John J. Monte
CHESTER ASHLEY
Jon Area Engineer
New Orleans Area Office

AUG 29 1995