

PARTS & SERVICE NEWS

REF NO. AA09095

DATE July 1, 2009

Page 1 of 3

SUBJECT: STEERING BLEEDDOWN MANIFOLD FITTING IMPROVEMENT

PURPOSE: To inform the field of a kit to improve the reliability of the hydraulic piping fitting installed in the bleeddown manifold.

APPLICATION: Komatsu Electric Drive Dump Trucks:
830E-1AC: A30240 - A30302

FAILURE CODE: 6A0037

DESCRIPTION:

Some trucks in operation may experience a hydraulic oil leak at flare fitting (2, Figure 1). Current flexing of supply tube (1) can exert excess stress on fitting (2). This excess stress can cause a failure of this fitting.

Steering Tube Kit (XK0865) has been developed to replace the existing supply tube with a new tube (1, Figure 2) and fitting (2). The flare fitting is replaced with an O-ring face seal fitting. This new supply tube and fitting combination will improve the reliability of the fitting and lines. The tank hose and fitting located to the outside of the supply hose will not need to be replaced.

The contents of Steering Tube Kit (XK0865) are listed in Table 1 and shown in Figure 2. Specific installation instructions are shown on drawing (XK0865) which is included in the kit.

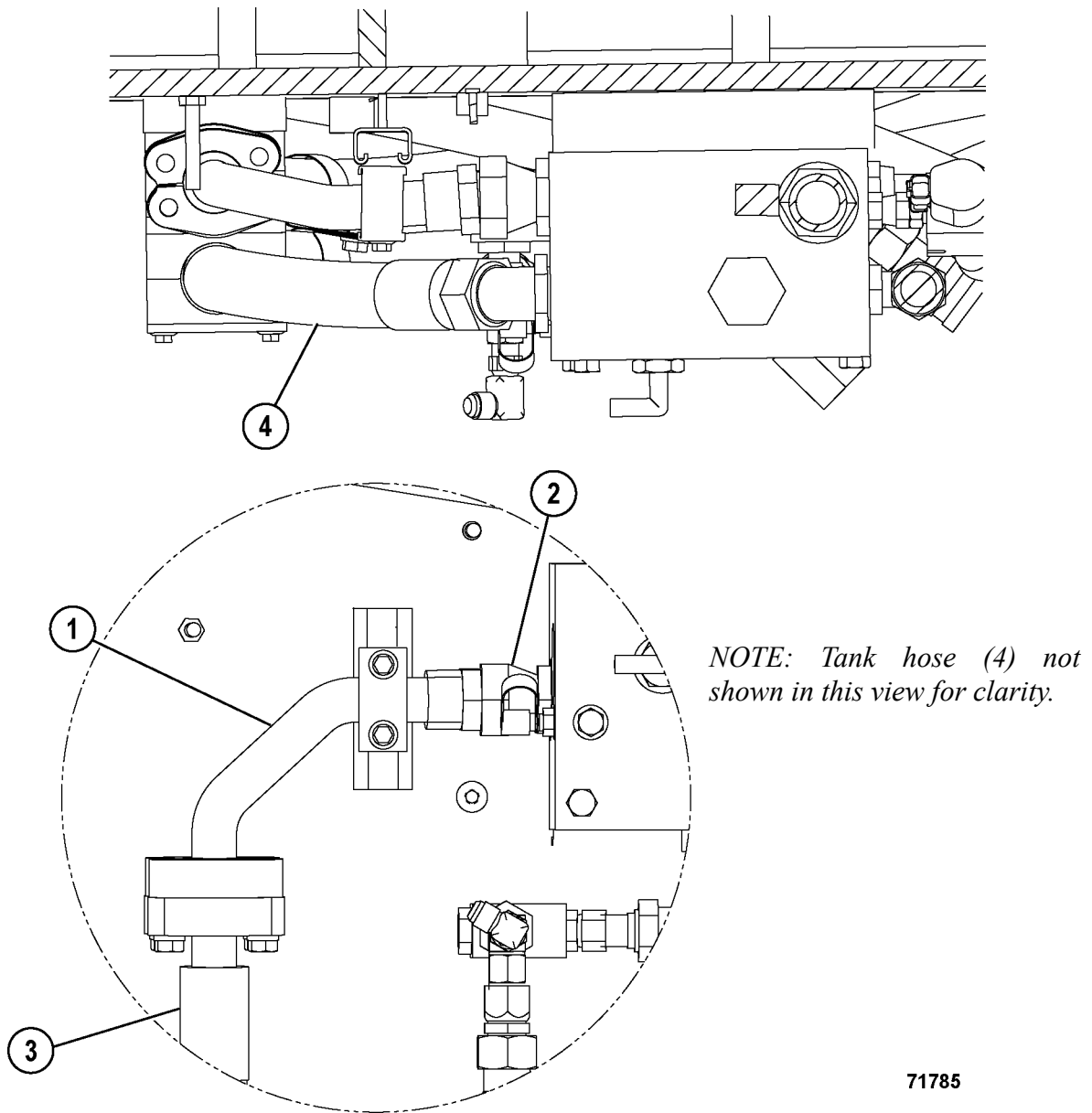


FIGURE 1. CURRENT DESIGN

- 1. Supply Tube (EM8168)
- 2. Fitting (WA4796)

- 3. Supply Hose
- 4. Tank Hose (Not supplied in kit)

TABLE 1: STEERING TUBE KIT (XK0865)			
Item	Part Number	Quantity	Description
	XK0865	1	Drawing, Installation
1.	XB2727	1	Tube
2.	WB0115	1	Fitting

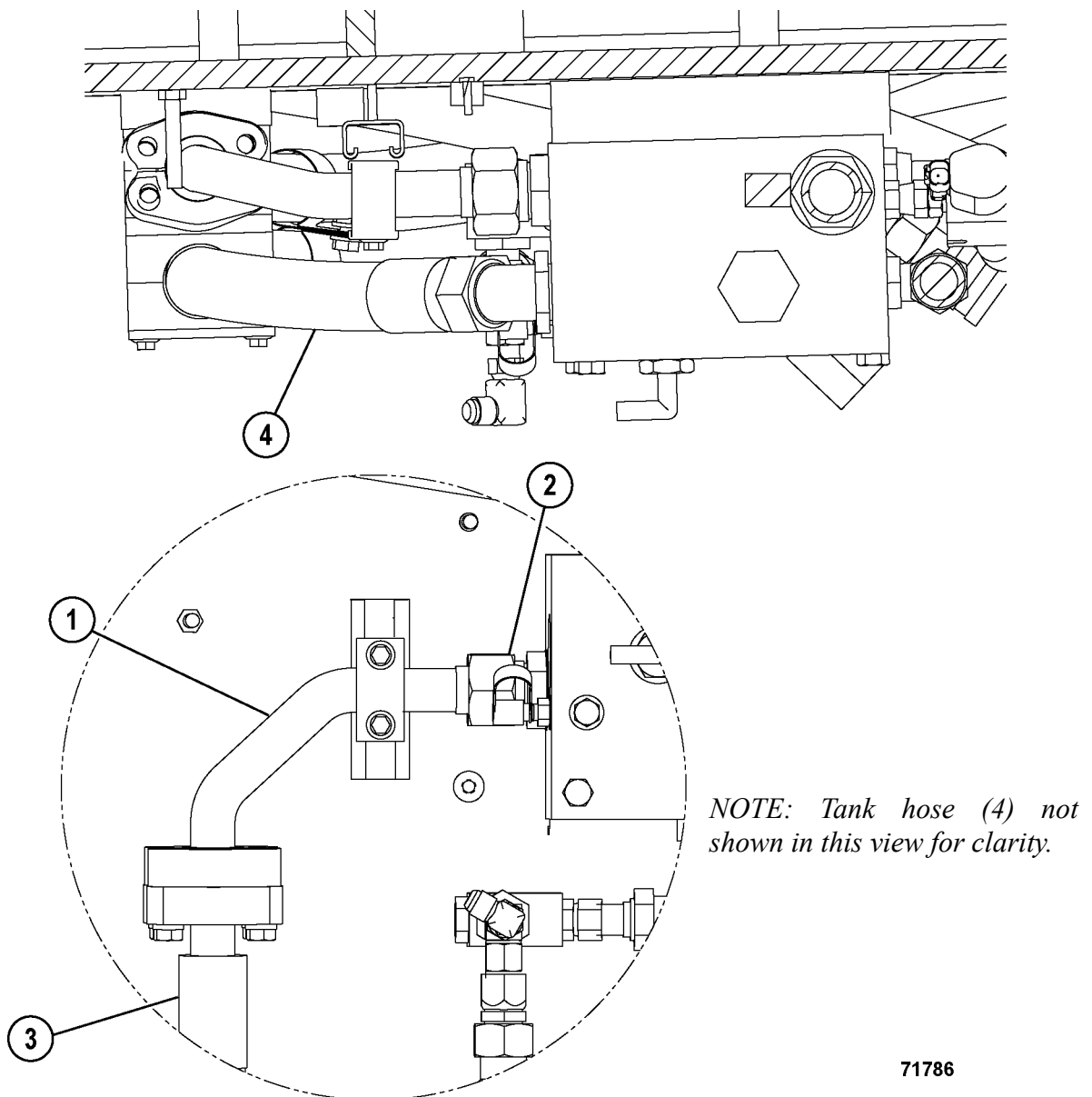


FIGURE 2. HOSE AND TUBE INSTALLATION

- | | |
|-------------------------|------------------------------------|
| 1. Supply Tube (XB2727) | 3. Supply Hose |
| 2. Fitting (WB0115) | 4. Tank Hose (Not supplied in Kit) |

PARTS & SERVICE NEWS

REF NO.	AA08089B
DATE	July 1, 2009

This Parts & Service News supersedes the previous issuance dated April 30, 2009. Discard AA08089A.

SUBJECT: STEERING BLEEDDOWN MANIFOLD FITTING IMPROVEMENT

PURPOSE: To inform the field of a kit to improve the reliability of the hydraulic piping fitting installed in the bleeddown manifold.

APPLICATION: Komatsu Electric Drive Dump Trucks:
 830E-AC: A30001-A30071, A30079-A30108;
 830E-1AC: A30072-A30078, A30109 - A30239

FAILURE CODE: 6A0037

DESCRIPTION:

Some trucks in operation may experience a hydraulic oil leak at elbow fitting (2, Figure 1). Current routing of supply hose (1) can exert excess stress on elbow fitting (2). This excess stress can cause a failure of this fitting.

B Steering Tube Kit (XK0853) has been developed to replace the existing supply hose with a new hose (1, Figure 2) and tube (3) with additional clamping for the tube. The elbow fitting is replaced with a straight fitting. This new supply hose, tube, clamping and fitting combination will improve the reliability of the fitting and line. The tank hose and fitting located to the outside of the supply hose will not need to be replaced.

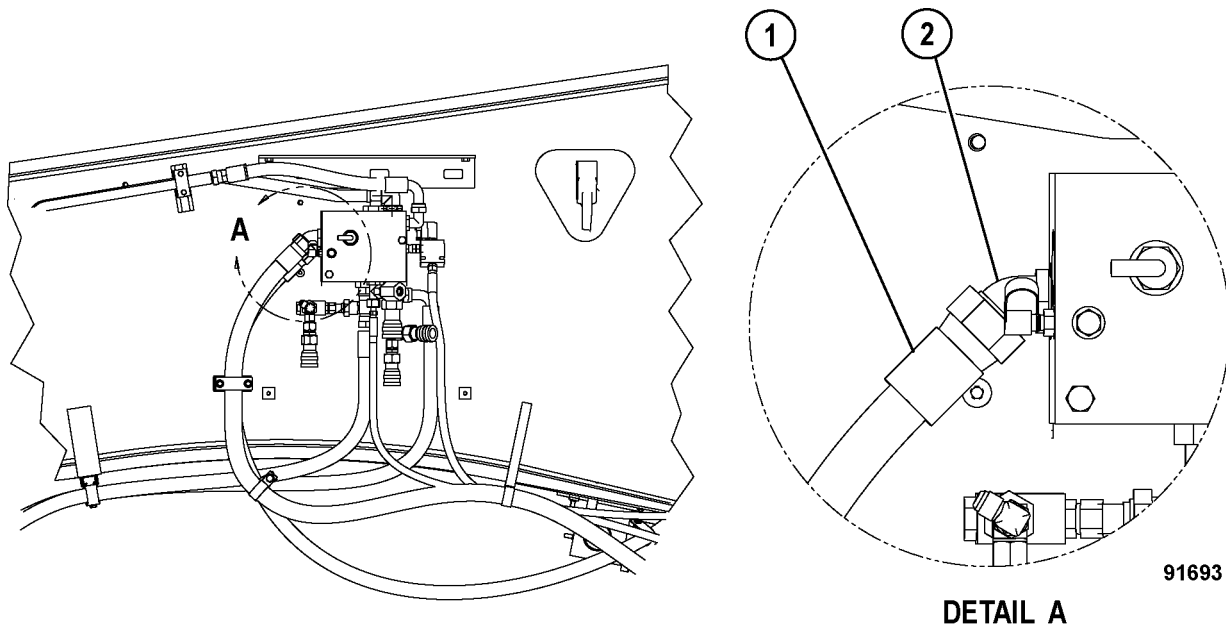


FIGURE 1. CURRENT DESIGN
 (SOME PARTS REMOVED FOR CLARITY)

1. Hose (HA8030)

2. Fitting, Elbow - 45 deg (WB0549)

The contents of Steering Tube Kit (XK0853) are listed in Table 1 and shown in Figure 2. Specific installation instructions are shown on drawing (XK0853) which is included in the kit.

B NOTE: Steering Tube Kit (XK0853) replaces kit (XK0759) that was announced on AA08089.

TABLE 1: STEERING TUBE KIT (XK0853)			
Item	Part Number	Quantity	Description
	XK0853	1	Drawing, Installation
1.	HA8568	1	Hose
2.	WB0115	1	Fitting
3.	XB2727	1	Tube
4.	WA4709	1	Clamp
5.	EM8169	1	Bar, Spacer
6.	WA3559	1	Channel
7.	WA5630	2	Clamp, Flange
8.	VG9096	2	O-Ring
9.	C1615	4	Cap Screw - 1/2" -13NC x 1 3/4"
10.	C1540	4	Lockwasher - 1/2"

B

B

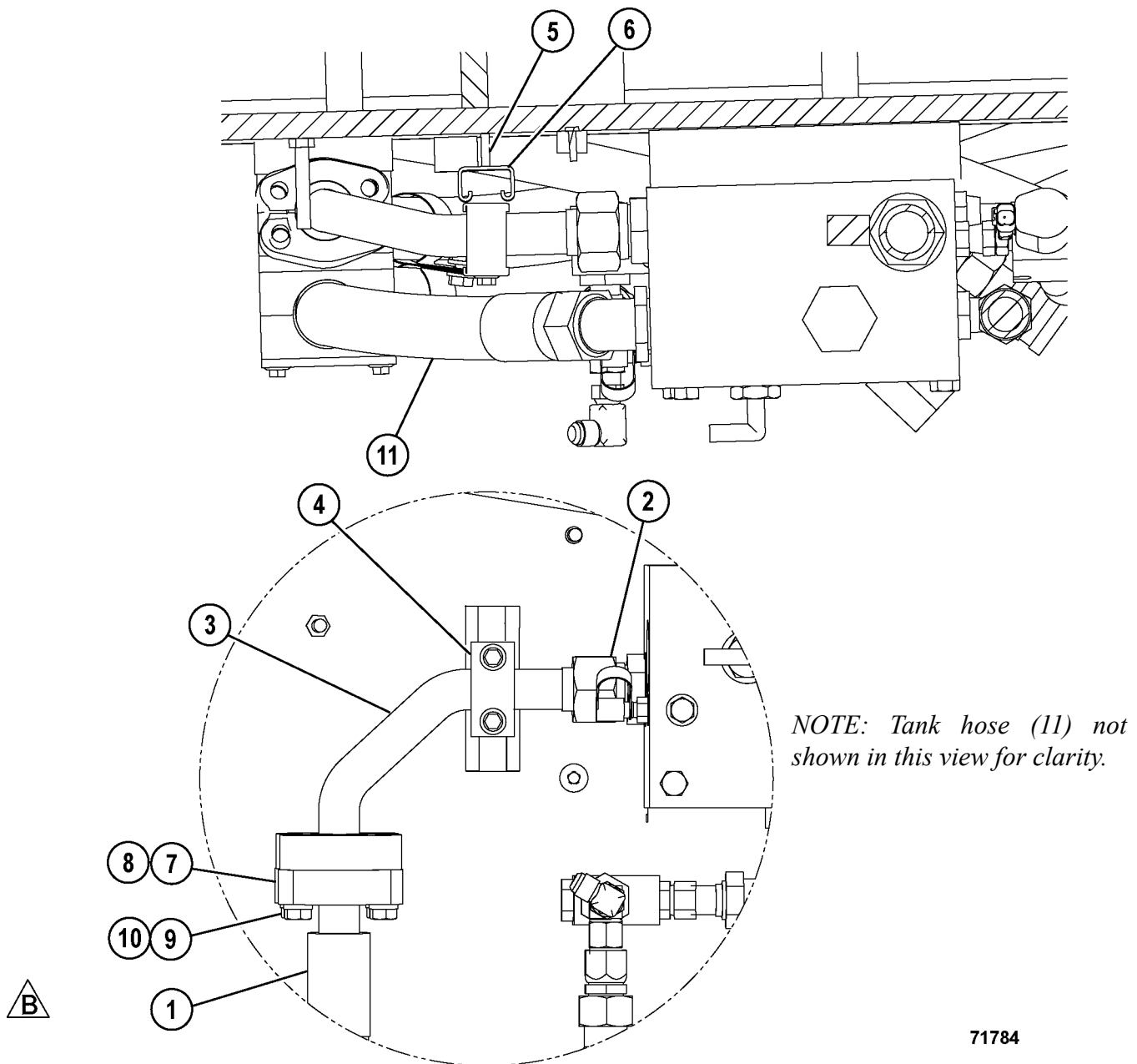


FIGURE 2. HOSE AND TUBE INSTALLATION

- | | |
|----------------|-------------------------------------|
| 1. Supply Hose | 7. Clamp, Flange |
| 2. Fitting | 8. O-Ring |
| 3. Tube | 9. Cap Screw |
| 4. Clamp | 10. Lockwasher |
| 5. Bar, Spacer | 11. Tank Hose (Not supplied in kit) |
| 6. Channel | |