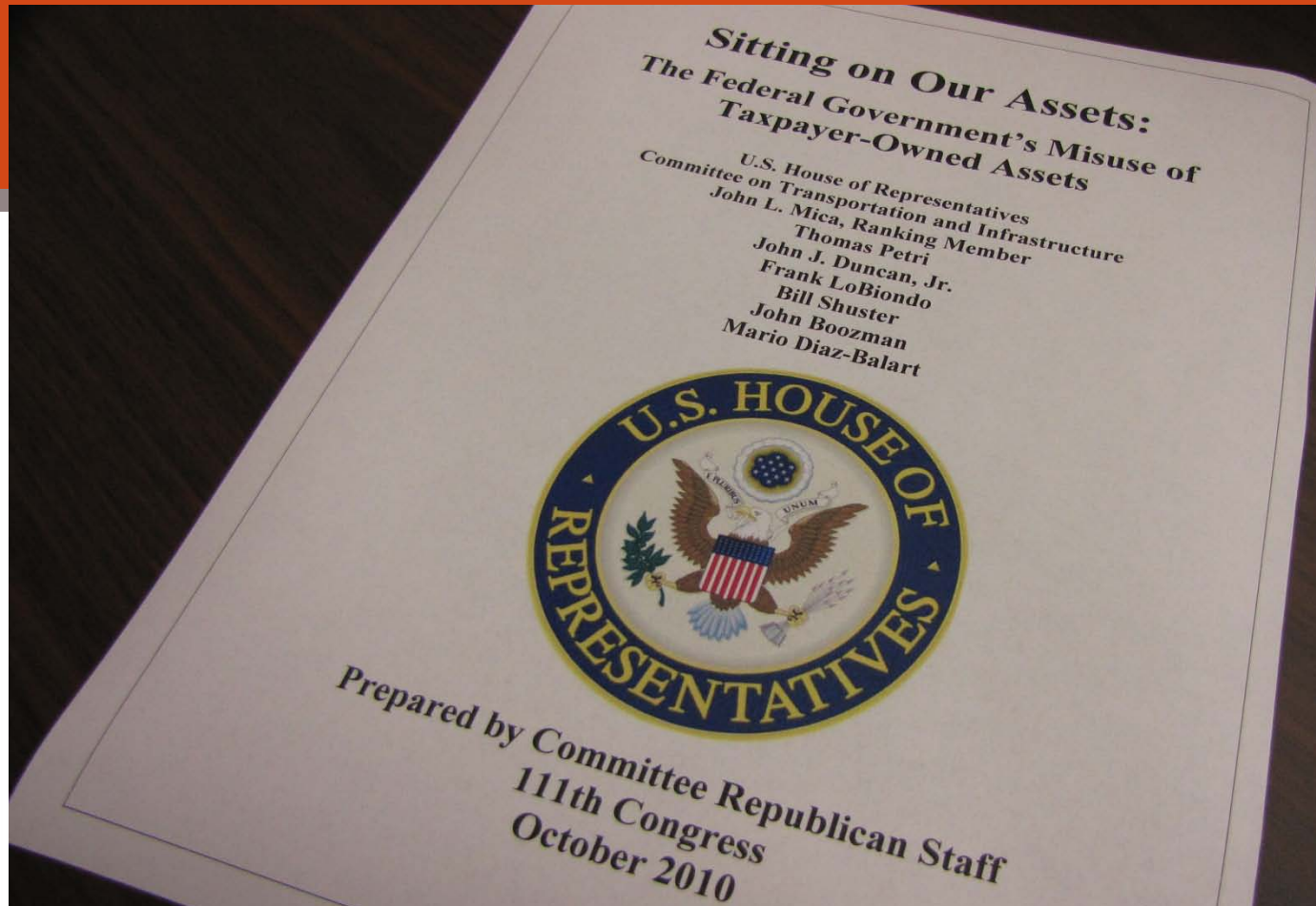


Sitting on Our Assets:

Examples of how the management of federal assets and resources can either cost or save taxpayers money

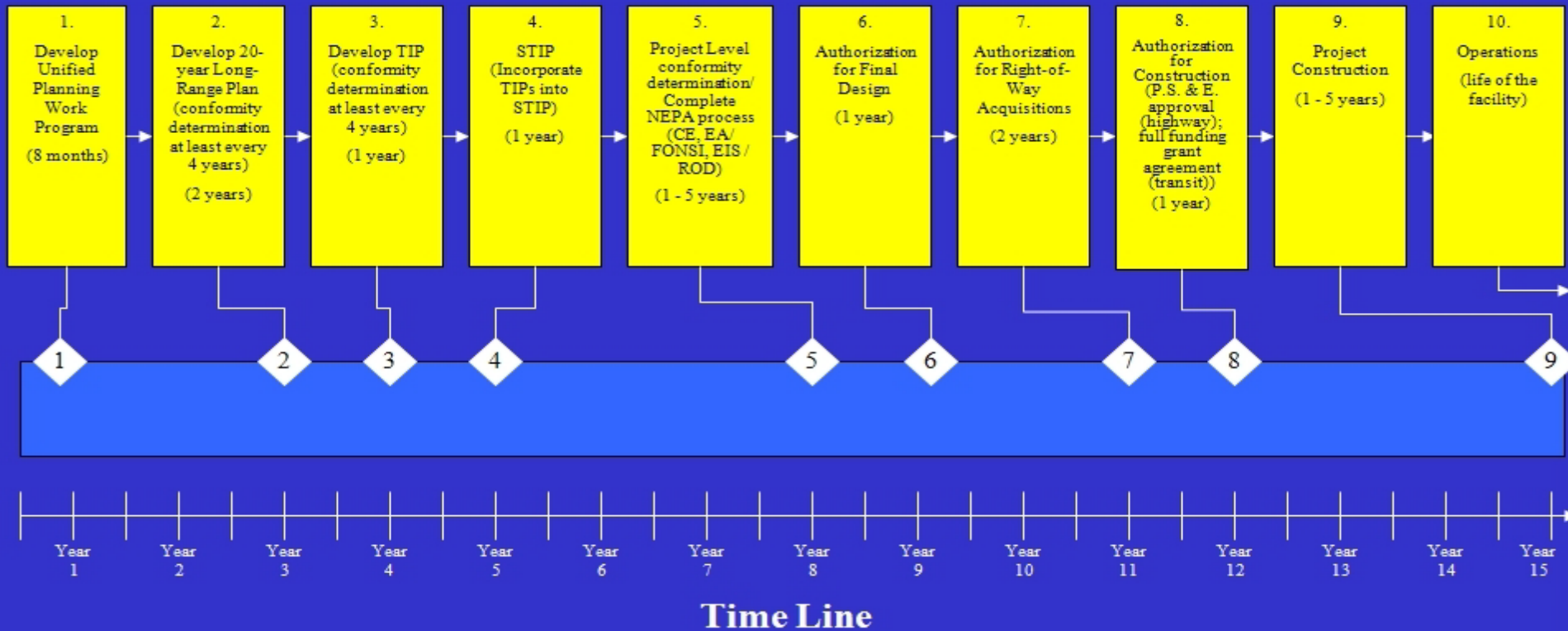




Old Post Office Building, Washington, D.C

The federal government loses \$6.5 million per year on this partially vacant building in a prime location in Washington, D.C.

Highway Planning and Project Development Process



Cutting Red Tape & Streamlining Infrastructure Project Delivery

Bureaucratic delays prevent many infrastructure projects from breaking ground for years, tying up funding and allowing costs to increase – this chart depicts the lengthy federal project process



Historic Apex Building on Pennsylvania Avenue, Washington, D.C.

Consolidating the Federal Trade Commission in one federally-owned location – the Apex building cannot meet the FTC’s current needs – could save taxpayers \$300 million



Amtrak's Mismanagement of the Northeast Corridor

**Amtrak has proven itself a failure at managing the Northeast Corridor –
it is time to look at alternatives to Amtrak's monopoly over the NEC & consider plans to bring
true high-speed rail service to this valuable national asset**



U.S. Department of Transportation Headquarters, Washington, D.C.

Built on federal land, but transferred to the developer who leased the building back to the federal government – taxpayers could very well pay for this building several times over



Bureaucratic Army Corps of Engineers Project Process Wastes Time and Money

Over \$1.7 billion is spent each year by the private and public sectors obtaining wetlands permits – in many cases it takes some two years for an applicant to prepare and obtain an individual permit and one year to prepare and obtain a nationwide general permit



Prettyman Courthouse and Bryant Annex

GAO determined this courthouse was overbuilt by 218,000 square feet, costing taxpayers \$56 million plus an additional \$4 million annually in maintenance and operations



Improving Security & Saving Taxpayers

Completing installation of in-line, automated explosive detection systems for checked baggage would not only result in improved security screening but also tremendous cost savings

**David W. Dyer
Federal
Building and
United States
Courthouse,
Miami, Florida**

**Historic building,
abandoned and in
disrepair after
being replaced by
the new – and
overbuilt –
courthouse**





Coast Guard Keeps Underutilized Vessels on Life Support

The Coast Guard anticipates spending millions to maintain the ice breakers POLAR SEA and POLAR STAR though neither vessel is currently able to conduct ice breaking operations



Hundreds of Millions of Dollars Were Wasted on Unused FEMA Trailers

FEMA spent hundreds of millions of dollars over several years to store 120,000 emergency housing trailers it no longer intended to use – FEMA finally sold the excess trailers and will continue to pay to store those that have not yet been picked up by the purchasers



Green-Wyatt Federal Building in Portland, OR

The current building, green wall, and final design – this “greening” stimulus project will cost almost \$375 per square foot, enough to construct a new building with high-performance energy features

Savings could be achieved through FAA facility realignments and providing flexibility to more efficiently staff controllers based on traffic levels – as well as through creative utilization of the Contract Tower Program





The I-35W Bridge in Minnesota

**An example of how streamlining delivery of transportation projects can save money:
After the collapse of the original bridge, the new bridge was completed under budget, in
under 437 days – such a project normally takes 7 to 8 years just to enter the construction phase**



Federal Office Building, Bethesda, Maryland

Federal real estate in a prime location sat vacant for eight years only to be sold in a bad real estate market, for less than the minimum suggested bid



Indiana Toll Road

A public-private partnership in which Indiana received \$3.8 billion in private capital, allowing the state to significantly invest in other infrastructure projects



Old Veterans' Affairs Hospital, Milwaukee, Wisconsin

A vacant 141-year-old federal building that would require extensive electrical upgrades for office use – Excess VA space costs the taxpayer \$175 million per year



More Effective, Efficient Training of Air Traffic Controllers

FAA controller training could be more efficiently provided by universities, colleges and private institutions at lower cost to the federal government



Wilkie D. Ferguson Jr. United States Federal Courthouse, Miami, Florida

This courthouse was overbuilt by 238,000 square feet at an excess cost of \$49 million plus \$3.8 million in additional annual costs