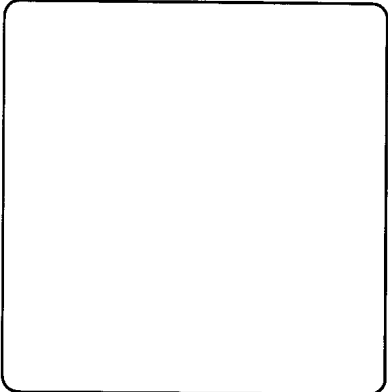


SITE LOCATION:  
 LAT: 30° 03' 48.76"  
 LONG: 91° 49' 31"

PROJECT NUMBER: \_\_\_\_\_  
 PROJECT DATE: JAN 2012  
 SHEET NUMBER: 1 OF 10  
 SCALE: 1" = 2500'  
 DESIGNED BY: \_\_\_\_\_  
 DRAWN BY: BMD  
 CHECKED BY: \_\_\_\_\_

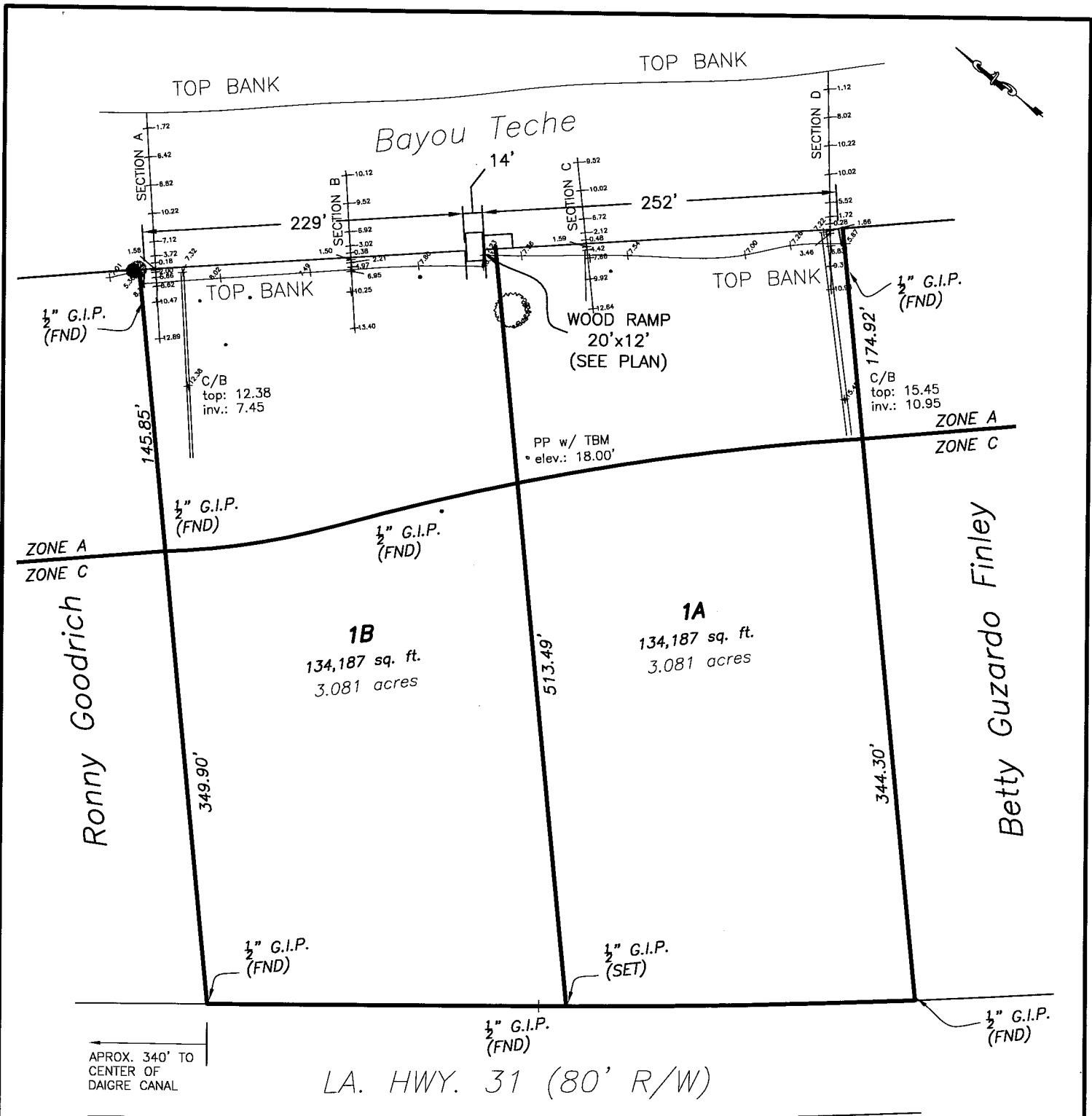
REVISIONS		
DATE	INITIALS	MARK



**Freyou, Moore and Associates, Inc.**  
 Civil Engineering & Land Surveying  
 1833 EAST MAIN STREET  
 NEW IBERIA, LOUISIANA 70560  
 PHONE: (337) 366-9636  
 FAX: (337) 367-8131

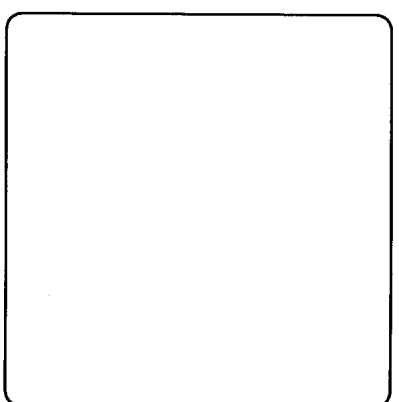
TITLE: \_\_\_\_\_  
 OWNER: Marc White  
 LOCATION: St. Martin Parish, Louisiana  
**Marc White**  
**Proposed Bulkhead**  
 Vicinity Map

DWG. NO. #####



PROJECT NUMBER: \_\_\_\_\_  
 PROJECT DATE: JAN 2012  
 SHEET NUMBER: 2 OF 10  
 SCALE: 1" = 100'  
 DESIGNED BY: BMD  
 DRAWN BY: \_\_\_\_\_  
 CHECKED BY: \_\_\_\_\_

REVISIONS		
DATE	INITIALS	MARK



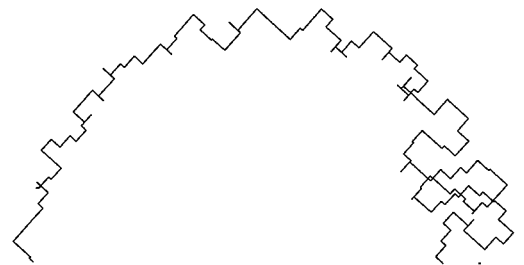
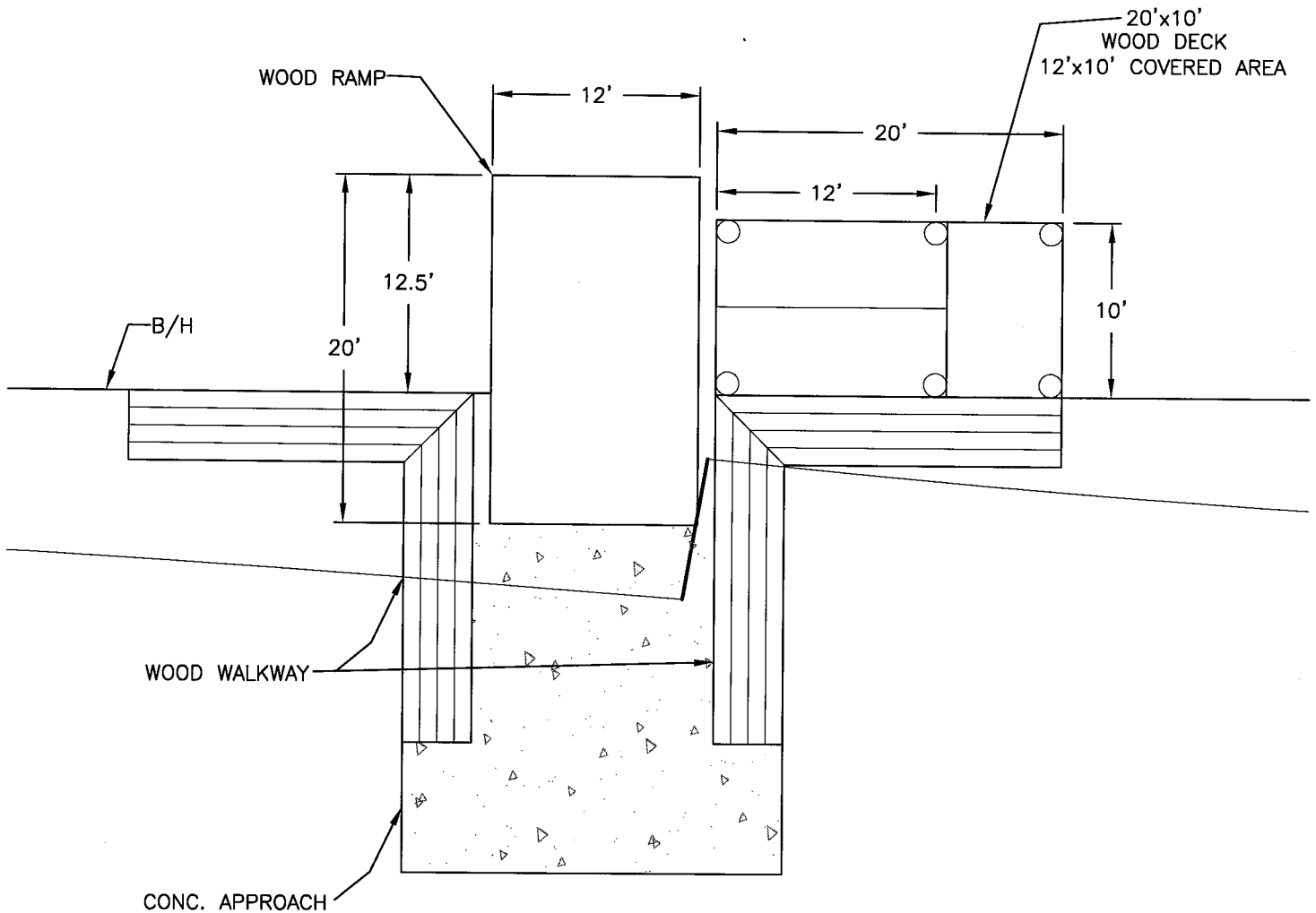
**Freyou, Moore and Associates, Inc.**  
 Civil Engineering & Land Surveying  
 1833 EAST MAIN STREET  
 NEW IBERIA, LOUISIANA 70560  
 PHONE: (337) 365-9535  
 FAX: (337) 367-8131

TITLE: **Marc White**  
**Proposed Bulkhead**  
 Site Plan

OWNER: Marc White

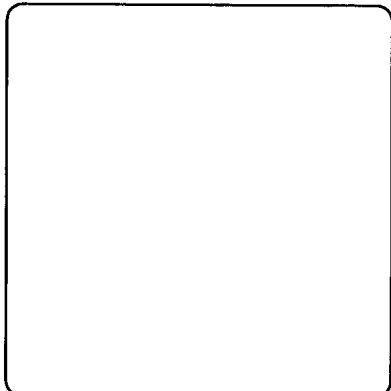
LOCATION: St. Martin Parish, Louisiana

BAYOU TECHE



PROJECT NUMBER: \_\_\_\_\_  
 PROJECT DATE: JAN 2012  
 SHEET NUMBER: 3 OF 10  
 SCALE: 1" = 10'  
 DESIGNED BY: BMD  
 DRAWN BY: \_\_\_\_\_  
 CHECKED BY: \_\_\_\_\_

REVISIONS		
DATE	INITIALS	MARK



**Freyou, Moore and Associates, Inc.**  
 Civil Engineering & Land Surveying  
 1833 EAST MAIN STREET  
 NEW IBERIA, LOUISIANA 70560  
 PHONE: (337) 365-9535  
 FAX: (337) 367-8131


TITLE: **Marc White**  
**Proposed Bulkhead**  
 Boat Slip Plan

OWNER: *Marc White*

LOCATION: *St. Martin Parish, Louisiana*

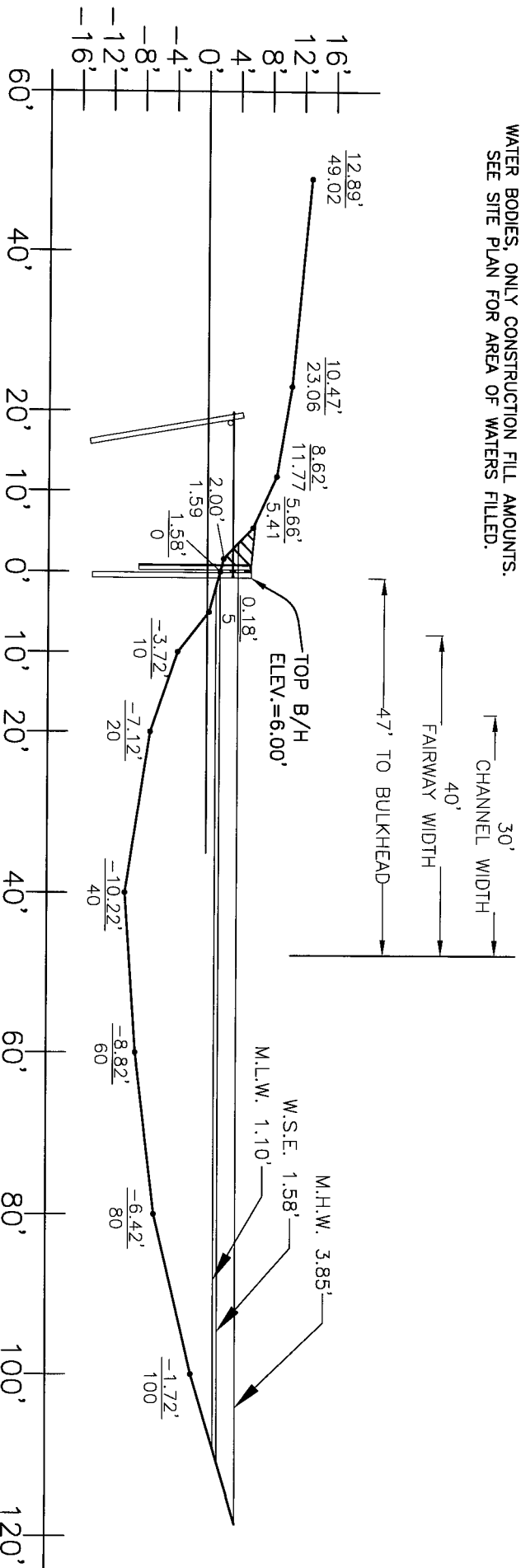
**LEGEND/QUANTITIES**

0.18' = M.S.L. ELEVATION  
5 STATION

 FILL AREA\* = 10.25 ft<sup>2</sup>

\*THIS AREA DOES NOT IMPLY ANY FILL AREA OF WATER BODIES. ONLY CONSTRUCTION FILL AMOUNTS. SEE SITE PLAN FOR AREA OF WATERS FILLED.

APPROX.  $\frac{1}{4}$  BAYOU TECHE



PROJECT NUMBER: \_\_\_\_\_  
 PROJECT DATE: JAN 2012  
 SHEET NUMBER: 4 OF 10  
 SCALE: 1" = 20'  
 DRAWN BY: BMD  
 CHECKED BY: \_\_\_\_\_

REVISIONS		
DATE	INITIALS	MARK

**Freyou, Moore and Associates, Inc.**  
 Civil Engineering & Land Surveying  
 1838 EAST MAIN STREET  
 NEW IBERIA, LOUISIANA 70560  
 PHONE: (337) 365-9635  
 FAX: (337) 367-8131

TITLE: **Marc White**  
**Proposed Bulkhead**  
 Cross Section A  
 OWNER: **Marc White**  
 LOCATION: **St. Martin Parish, Louisiana**

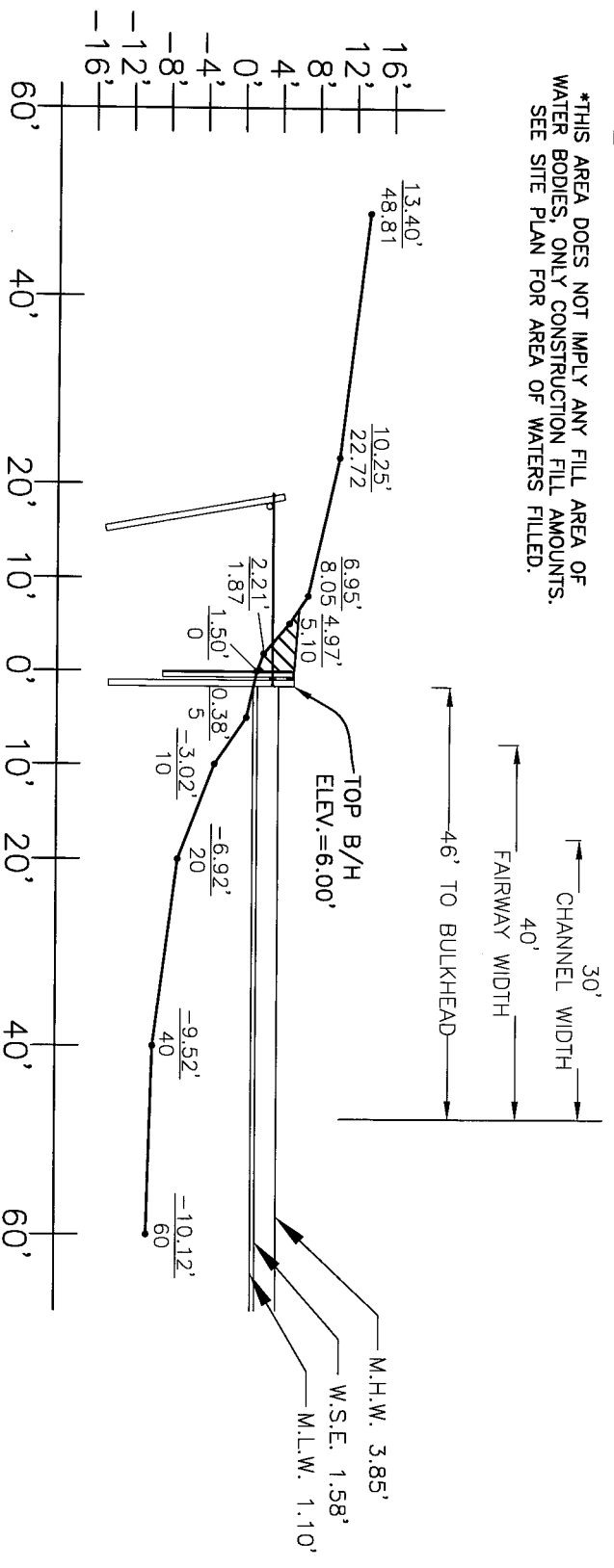
DWG. NO. **###**

**LEGEND/QUANTITIES**

0.18' = M.S.L. ELEVATION  
 STATION 5  
 FILL AREA\* = 14.75 ft<sup>2</sup>

\*THIS AREA DOES NOT IMPLY ANY FILL AREA OF WATER BODIES, ONLY CONSTRUCTION FILL AMOUNTS. SEE SITE PLAN FOR AREA OF WATERS FILLED.

APPROX.  $\phi$   
 BAYOU TECHE



PROJECT NUMBER: \_\_\_\_\_  
 PROJECT DATE: JAN 2012  
 SHEET NUMBER: 5 OF 10  
 SCALE: 1" = 20'  
 DESIGNED BY: \_\_\_\_\_  
 DRAWN BY: BMD  
 CHECKED BY: \_\_\_\_\_

DATE	INITIALS	MARK

**Freyou, Moore and Associates, Inc.**  
 Civil Engineering & Land Surveying  
 1838 EAST MAIN STREET  
 NEW IBERIA, LOUISIANA 70560  
 PHONE: (337) 365-9636  
 FAX: (337) 367-8131

TITLE:  
**Marc White**  
**Proposed Bulkhead**  
 Cross Section B

OWNER: Marc White  
 LOCATION: St. Martin Parish, Louisiana

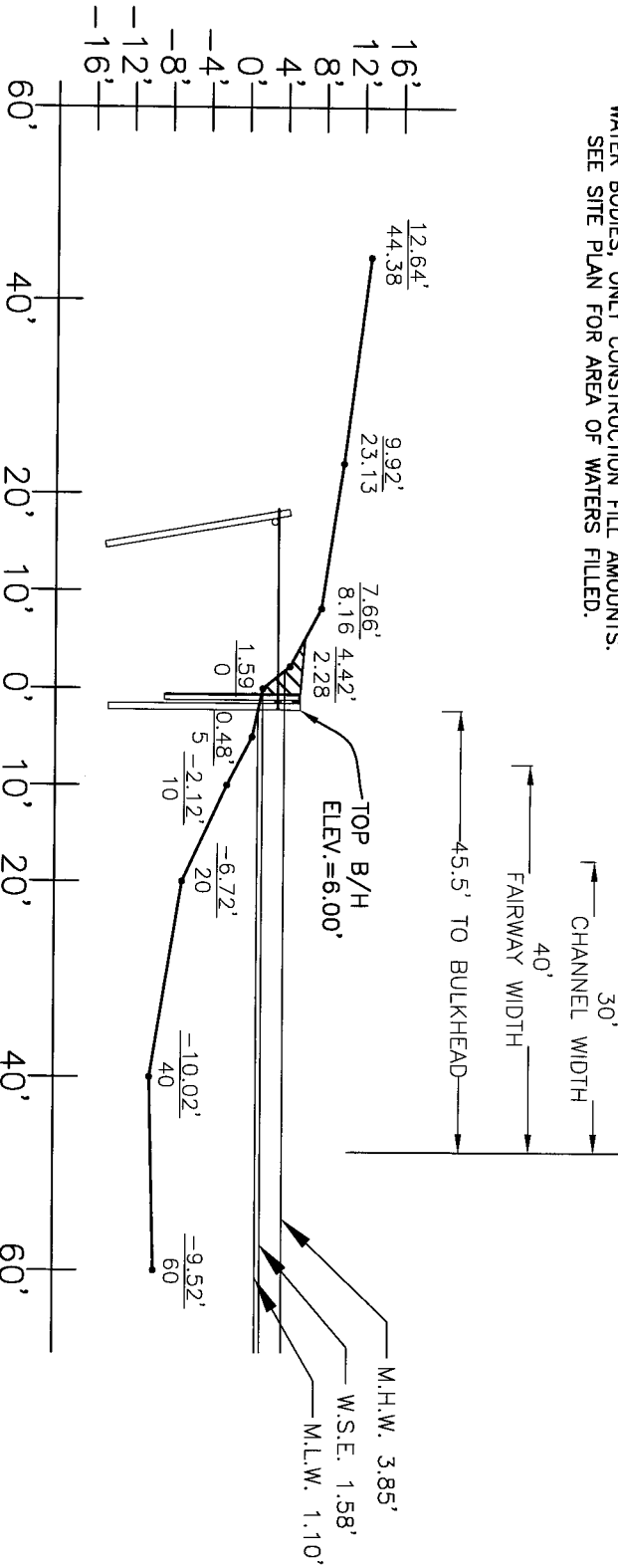
DWG. NO. ###

**LEGEND/QUANTITIES**

0.18' = M.S.L. ELEVATION  
 5 STATION  
 FILL AREA\* = 10.1 ft<sup>2</sup>

\*THIS AREA DOES NOT IMPLY ANY FILL AREA OF WATER BODIES, ONLY CONSTRUCTION FILL AMOUNTS. SEE SITE PLAN FOR AREA OF WATERS FILLED.

APPROX. Q  
 BAYOU TECHE



PROJECT NUMBER: \_\_\_\_\_  
 PROJECT DATE: JAN 2012  
 SHEET NUMBER: 6 OF 10  
 SCALE: 1" = 20'  
 DESIGNED BY: \_\_\_\_\_  
 DRAWN BY: BMD  
 CHECKED BY: \_\_\_\_\_

REVISIONS		
DATE	INITIALS	MARK

**Freyou, Moore and Associates, Inc.**  
 Civil Engineering & Land Surveying  
 1838 EAST MAIN STREET  
 NEW IBERIA, LOUISIANA 70560  
 PHONE: (337) 366-9636  
 FAX: (337) 367-8131

TITLE:  
**Marc White**  
**Proposed Bulkhead**  
 Cross Section C

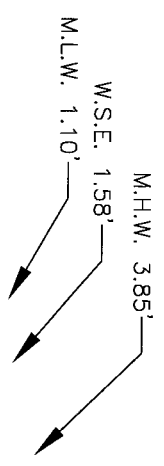
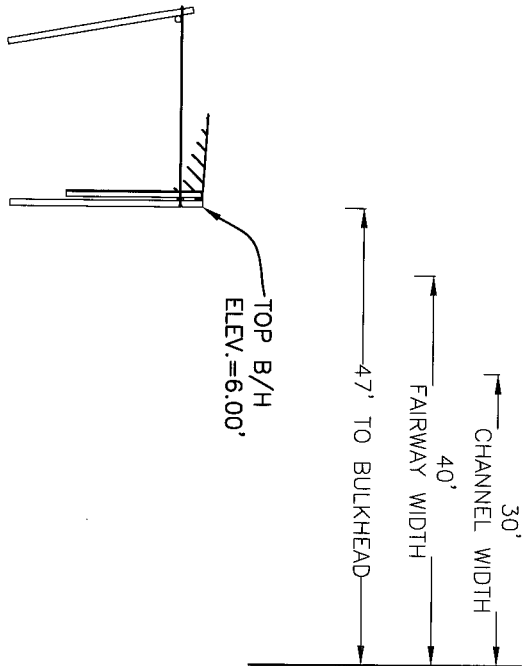
OWNER: **Marc White**  
 LOCATION: **St. Martin Parish, Louisiana**

0.18' = M.S.L. ELEVATION  
 STATION 5

FILL AREA\* = 10.75 ft<sup>2</sup>

\*THIS AREA DOES NOT IMPLY ANY FILL AREA OF WATER BODIES, ONLY CONSTRUCTION FILL AMOUNTS. SEE SITE PLAN FOR AREA OF WATERS FILLED.

APPROX.  $\phi$   
 BAYOU TECHE



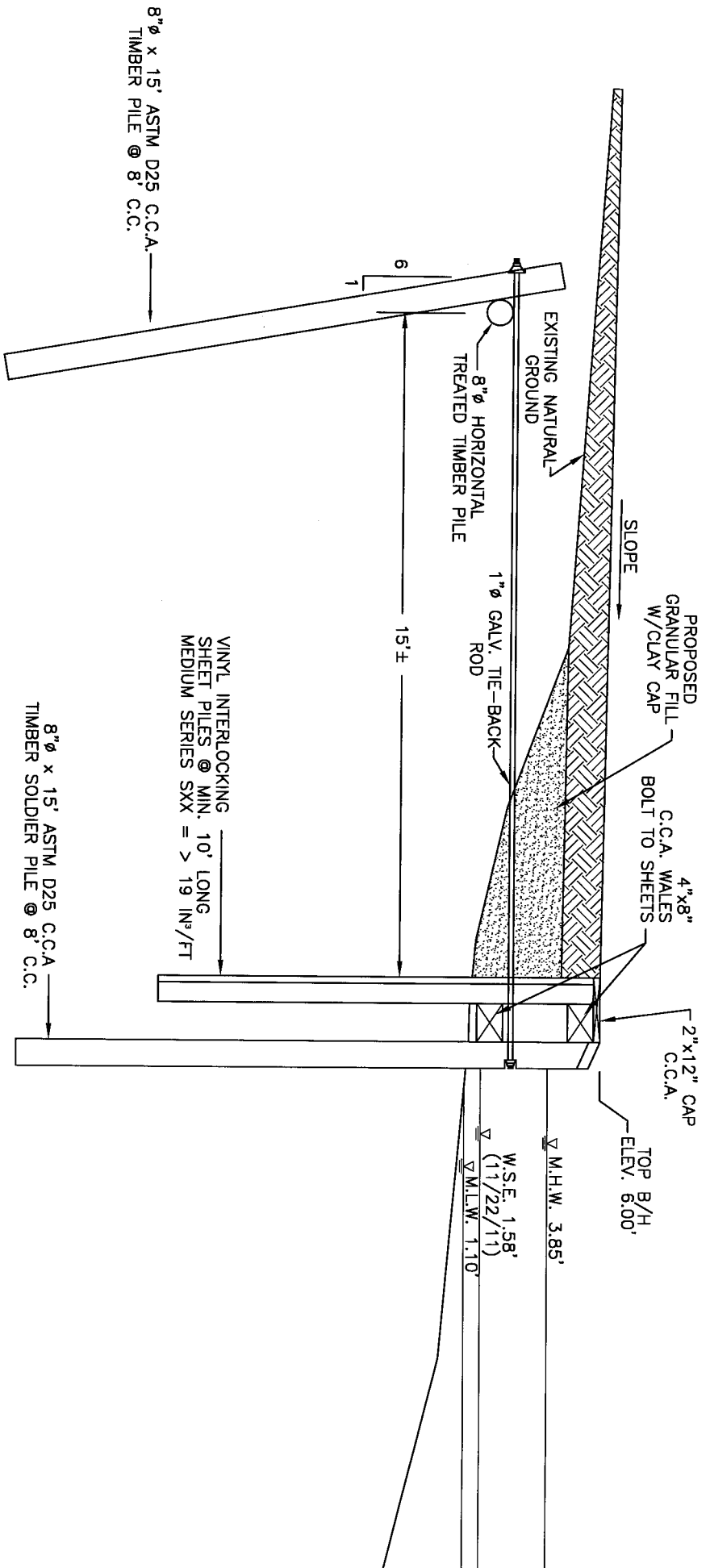
PROJECT NUMBER: \_\_\_\_\_  
 PROJECT DATE: JAN 2012  
 SHEET NUMBER: 7 OF 10  
 SCALE: 1" = 20'  
 DESIGNED BY: \_\_\_\_\_  
 DRAWN BY: BMD  
 CHECKED BY: \_\_\_\_\_

REVISIONS		
DATE	INITIALS	MARK

**Freyou, Moore and Associates, Inc.**  
 Civil Engineering & Land Surveying  
 1833 EAST MAIN STREET  
 NEW IBERIA, LOUISIANA 70560  
 PHONE: (337) 366-9636  
 FAX: (337) 367-8131

TITLE: **Marc White**  
**Proposed Bulkhead**  
 Cross Section D  
 OWNER: **Marc White**  
 LOCATION: **St. Martin Parish, Louisiana**

DWG. NO. #####



8"  $\phi$  x 15' ASTM D25 C.C.A. TIMBER PILE @ 8' C.C.

VINYL INTERLOCKING SHEET PILES @ MIN. 10' LONG MEDIUM SERIES SXX = > 19 IN<sup>3</sup>/FT

8"  $\phi$  x 15' ASTM D25 C.C.A. TIMBER SOLDIER PILE @ 8' C.C.

PROJECT NUMBER: \_\_\_\_\_  
 PROJECT DATE: JAN 2012  
 SHEET NUMBER: 8 OF 10  
 SCALE: 1" = 4'  
 DESIGNED BY: BMD  
 DRAWN BY: \_\_\_\_\_  
 CHECKED BY: \_\_\_\_\_

REVISIONS		
DATE	INITIALS	MARK

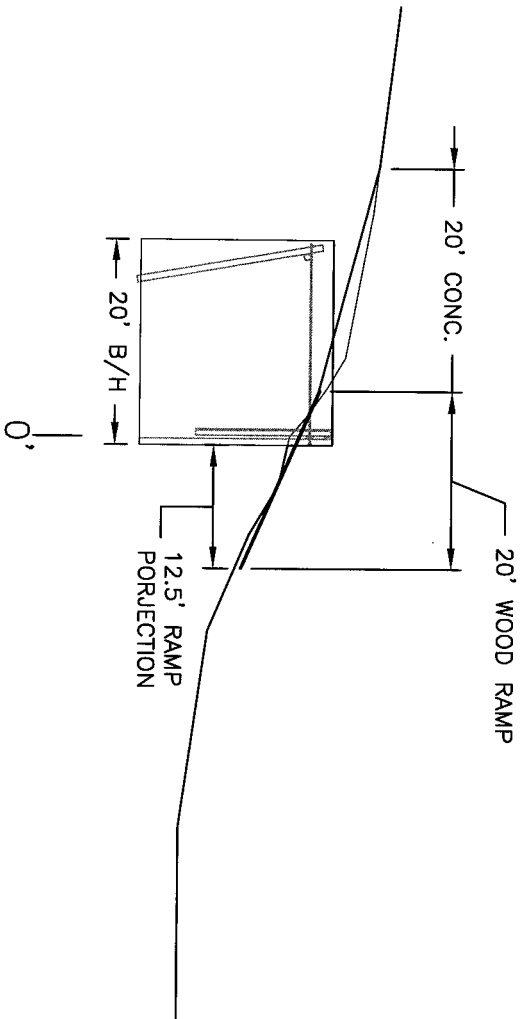
**Freyou, Moore and Associates, Inc.**  
 Civil Engineering & Land Surveying  
 1838 EAST MAIN STREET  
 NEW IBERIA, LOUISIANA 70560  
 PHONE: (337) 365-9635  
 FAX: (337) 367-8131

TITLE:  
**Marc White**  
**Proposed Bulkhead**  
 Section Detail

OWNER: **Marc White**  
 LOCATION: **St. Martin Parish, Louisiana**

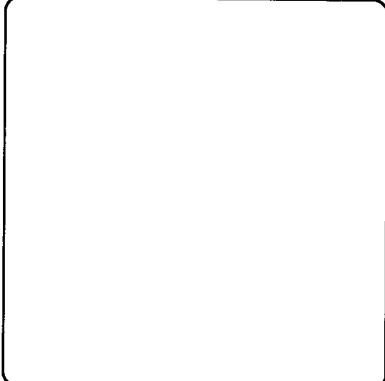
DWG. NO. **###**





PROJECT NUMBER: \_\_\_\_\_  
 PROJECT DATE: JAN 2012  
 SHEET NUMBER: 9 OF 10  
 SCALE: 1" = 20'  
 DESIGNED BY: \_\_\_\_\_  
 DRAWN BY: BMD  
 CHECKED BY: \_\_\_\_\_

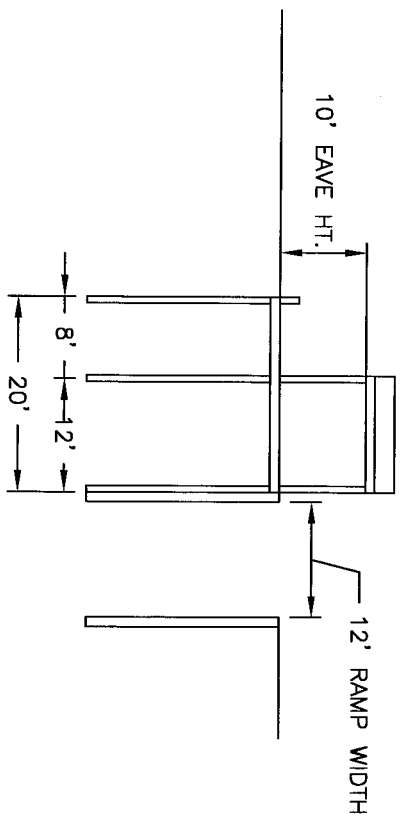
REVISIONS		
DATE	INITIALS	MARK



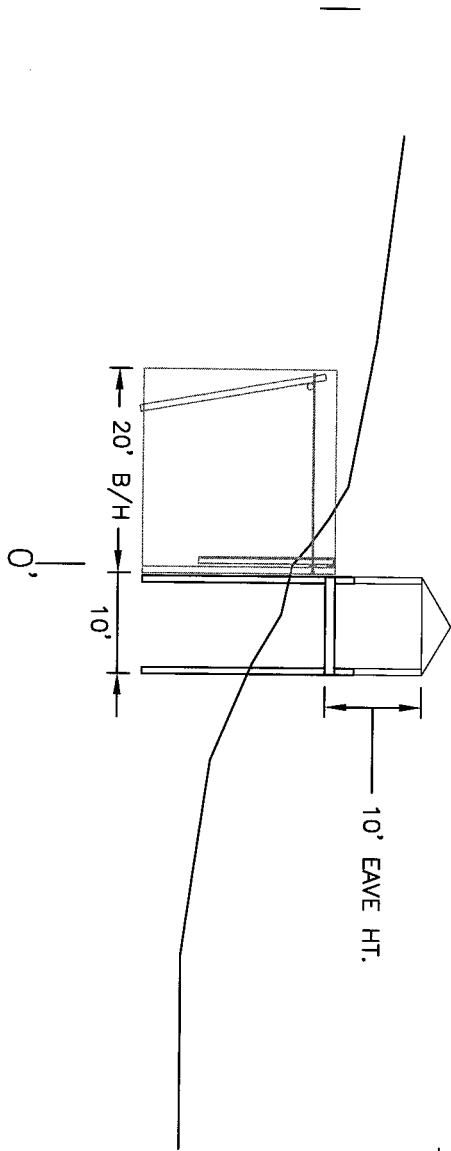
**Freyou, Moore and Associates, Inc.**  
 Civil Engineering & Land Surveying  
 1838 EAST MAIN STREET  
 NEW IBERIA, LOUISIANA 70560  
 PHONE: (337) 365-9636  
 FAX: (337) 367-8131

TITLE:  
**Marc White**  
**Proposed Bulkhead**  
 Boat Launch Section  
 OWNER: *Marc White*  
 LOCATION: *St. Martin Parish, Louisiana*

DWG. NO. ###



**SIDE ELEVATION**



PROJECT NUMBER: \_\_\_\_\_  
 PROJECT DATE: JAN 2012  
 SHEET NUMBER: 10 OF 10  
 SCALE: 1" = 20'  
 DESIGNED BY: \_\_\_\_\_  
 DRAWN BY: BMD  
 CHECKED BY: \_\_\_\_\_

REVISIONS		
DATE	INITIALS	MARK

**Freyou, Moore and Associates, Inc.**  
 Civil Engineering & Land Surveying  
 1833 EAST MAIN STREET  
 NEW IBERIA, LOUISIANA 70560  
 PHONE: (337) 366-9636  
 FAX: (337) 367-8131

TITLE: **Marc White**  
**Proposed Bulkhead**  
 Deck Section

OWNER: **Marc White**  
 LOCATION: **St. Martin Parish, Louisiana**