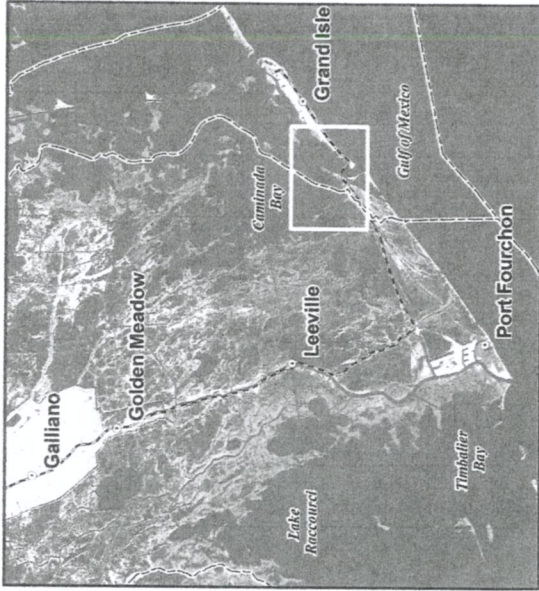
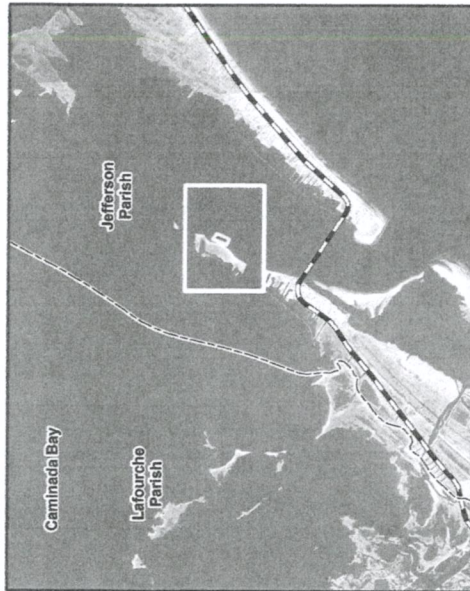


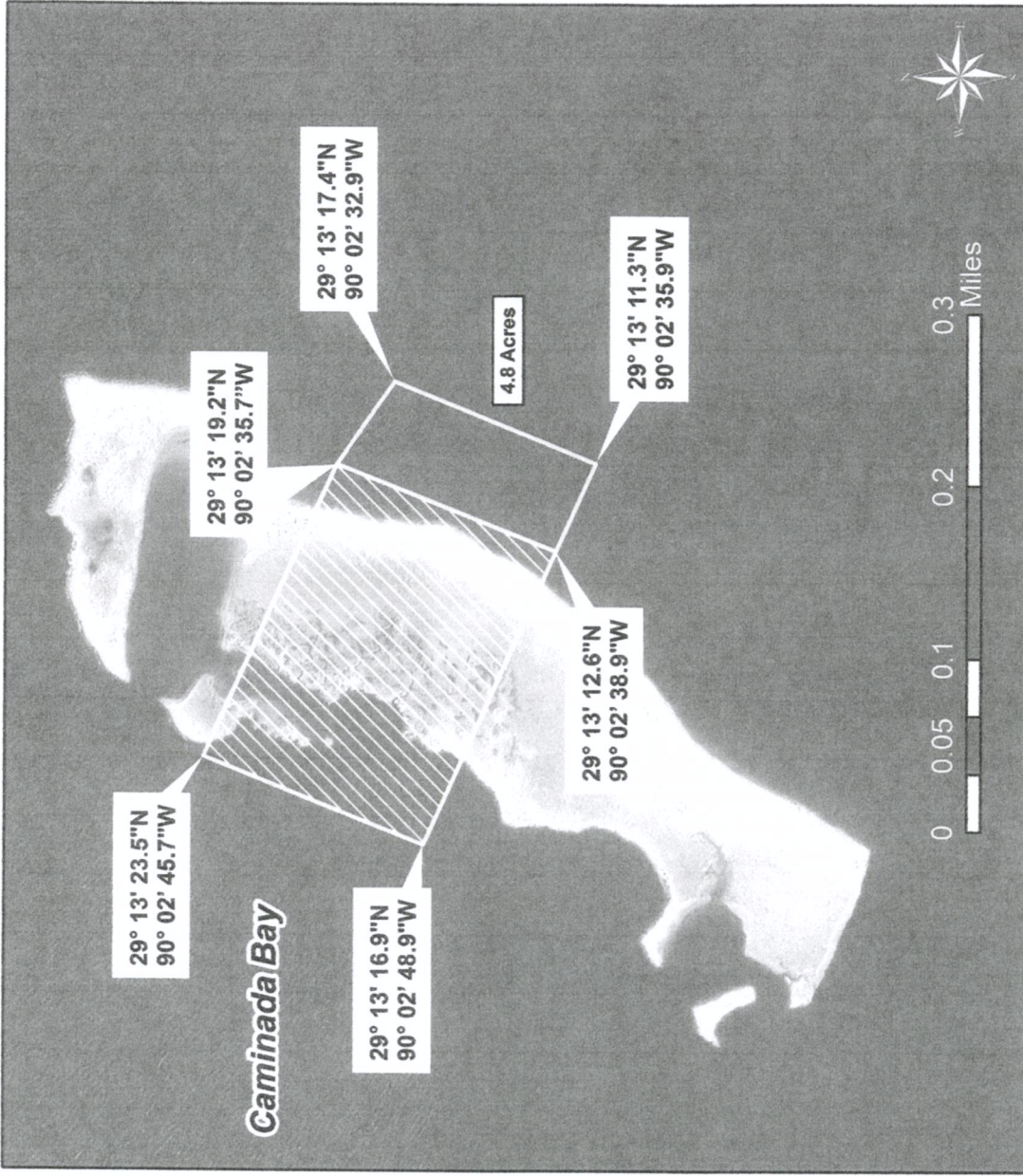
Permitted Grand Isle Oyster Farming Zone



Area of Detail Shown Below



Area of Detail Shown At Right



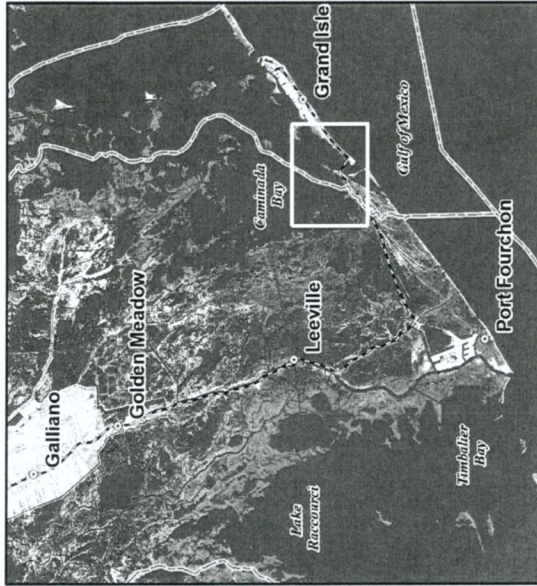
Legend

- Places
- LA Highway 1
- Proposed Oyster Farm
- Parish Boundary
- Bird Nesting Evaluation Zone

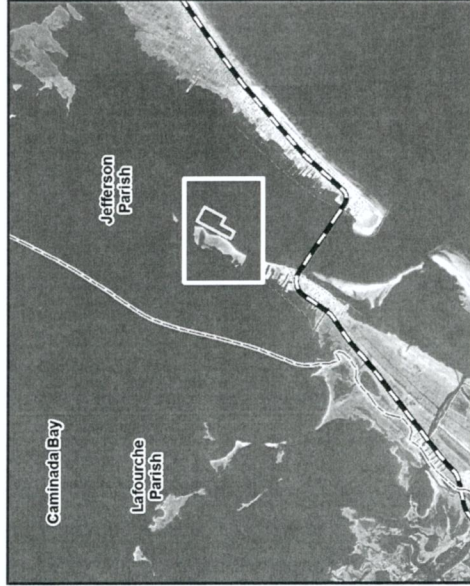


Map Projection: UTM Zone 15N NAD83
 Base Imagery: USGS DOQQ 2008
 Map Prepared By: Maurice Wolcott

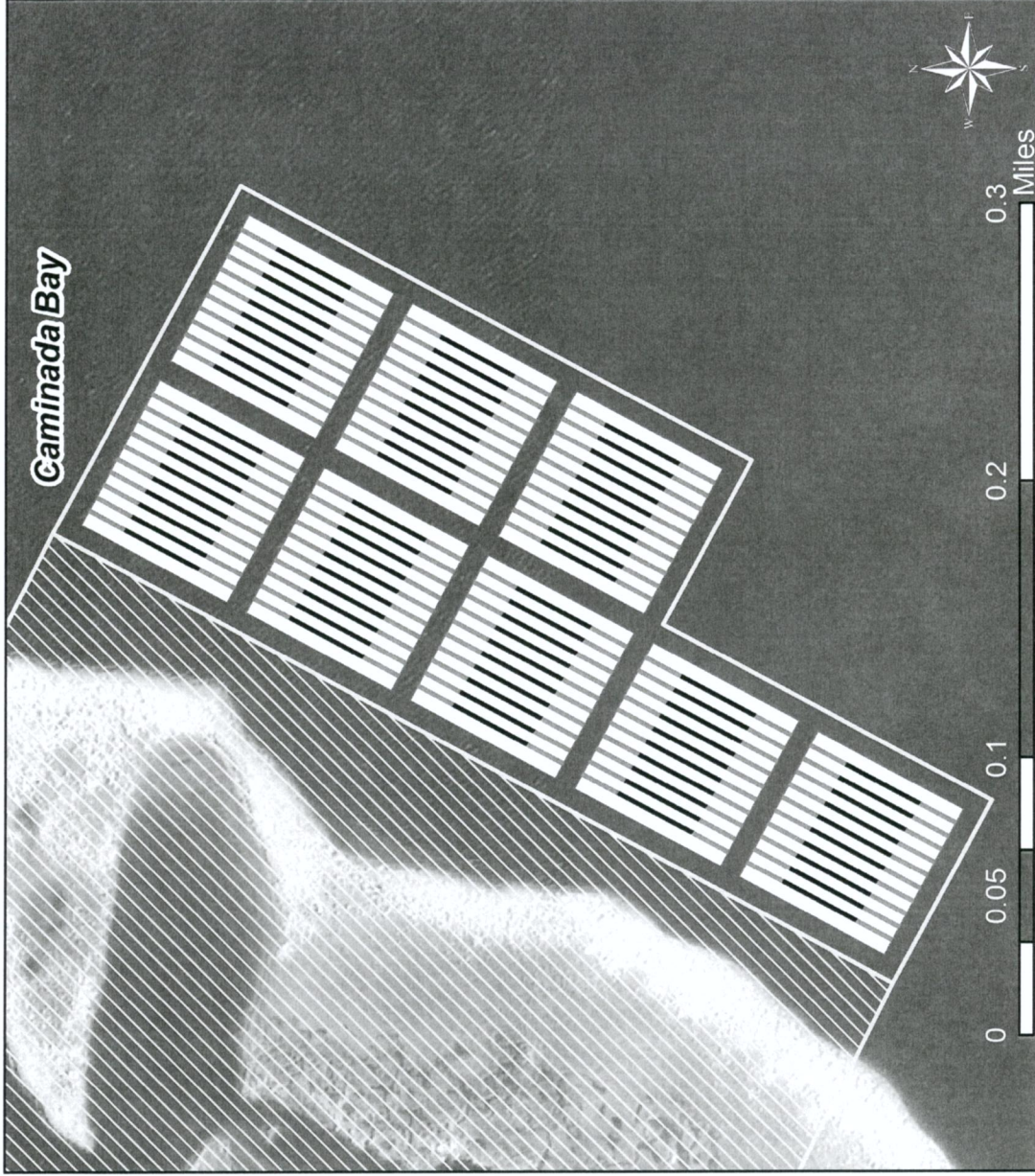
Proposed Grand Isle Oyster Farming Zone



Area of Detail Shown Below



Area of Detail Shown At Right



Legend

- Places
- LA Highway 1
- Proposed Oyster Farm
- Anchor Lines
- Bird Nesting Evaluation Zone
- Basket Lines
- Oyster Plots

Map Projection: UTM Zone 15N NAD83
 Base Imagery: USGS DOQQ 2008
 Map Prepared By: Maurice Wolcott

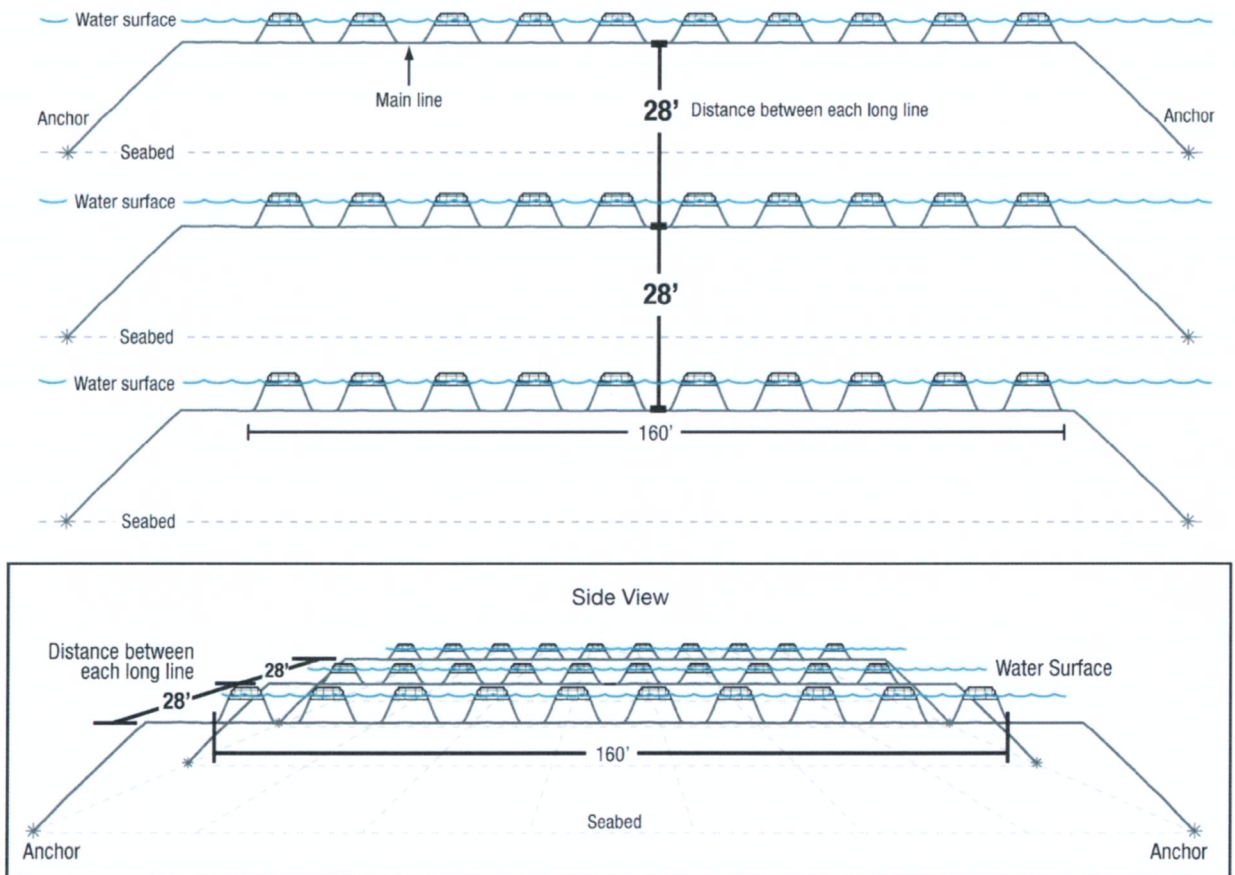


Layout of Long Lines

A typical long line consists of one individual row of 10 to 12 OysterGro Units (view figure II). The units are linked together with 3/8" ropes (view figure III). Proper anchorage is necessary to hold the units to the seabed. A long line is about 160 ft long and rule of thumb, 100 OysterGro cages can be set on a one-acre lot.

Figure II – Long lines

Orientation of longlines to one another.
Ten longlines of 10 floating cages each per oyster farm.



OysterGro cage description

Two airtight floats specifically designed to reach optimum buoyancy for feeding depth.

Large easily-removable caps on each end.

Plastic fins to control birds.

8-Gauge wire strands.

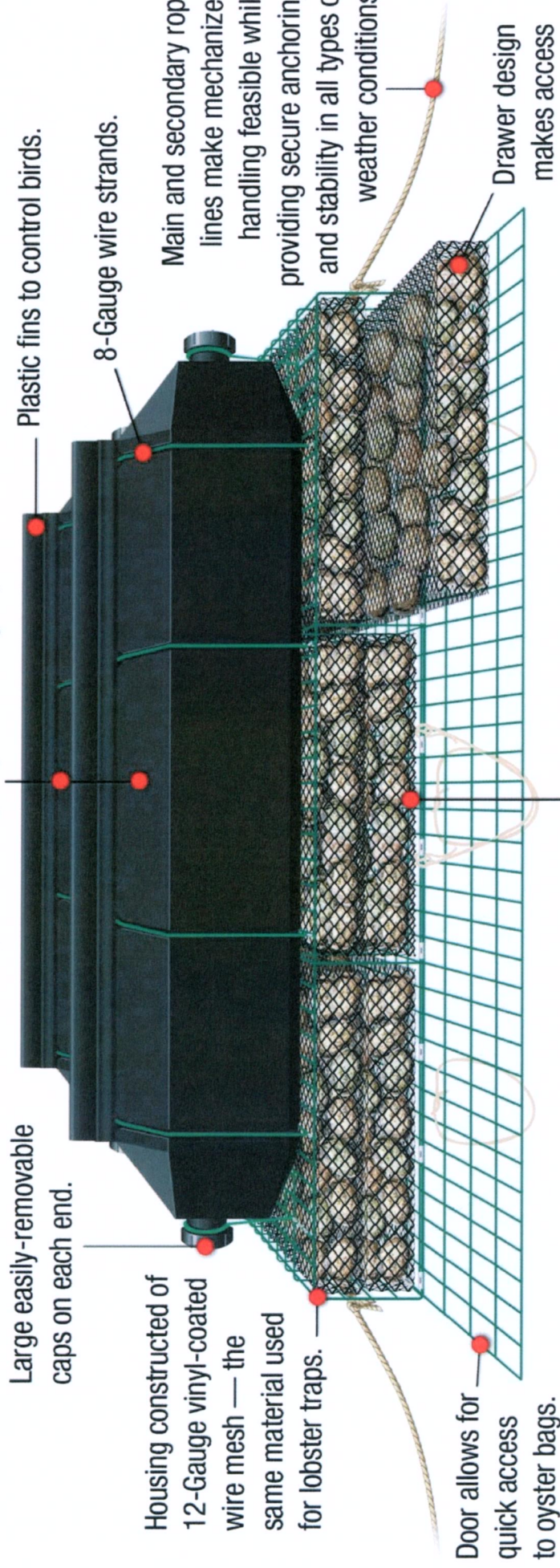
Housing constructed of 12-Gauge vinyl-coated wire mesh — the same material used for lobster traps.

Main and secondary rope lines make mechanized handling feasible while providing secure anchoring and stability in all types of weather conditions.

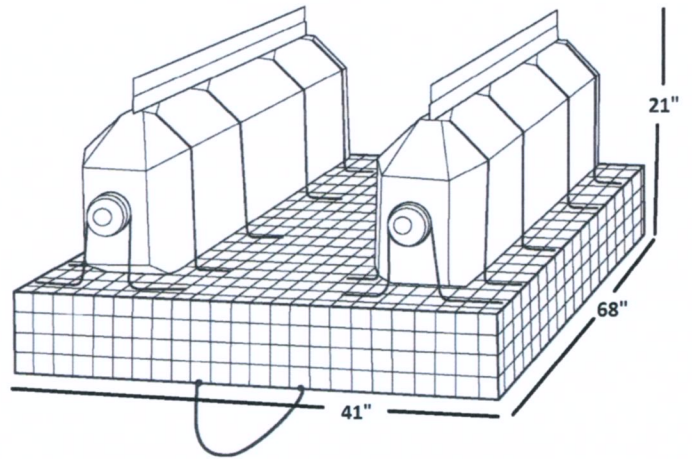
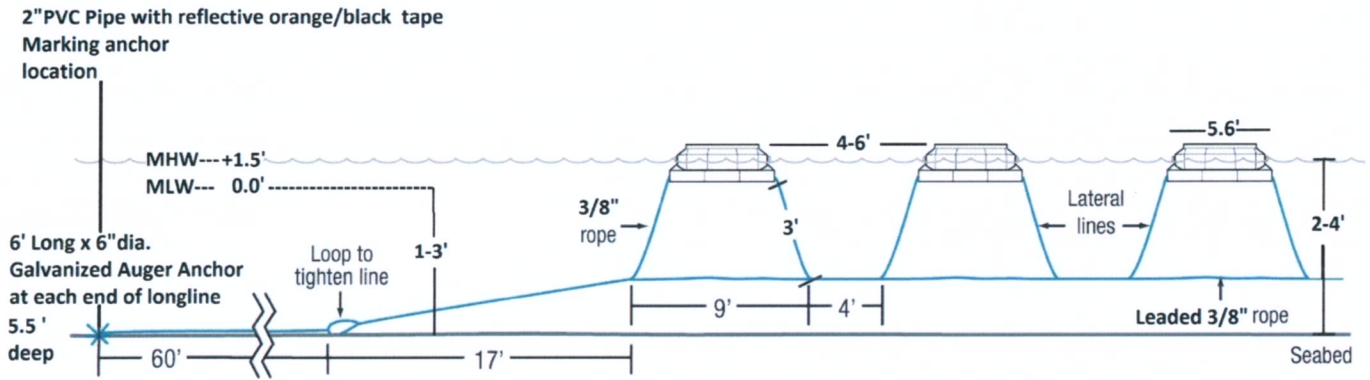
Door allows for quick access to oyster bags.

Drawer design makes access and handling fast and easy.

The cage accommodates six Vexar oyster bags measuring approximately 18" wide x 35" long x 3" high (45.7 cm x 88.9 cm x 7.6 cm) on two levels.



These diagrams show the rope system.



3/8" dia. Rope bridge on each ends.

3/8" dia. Lateral lines are attached to rope bridge