

ECBC ENGINEERING
Design→Build→Test→Support

ECBC ENGINEERING PRODUCT DEVELOPMENT FACILITY ADVANCED DESIGN AND MANUFACTURING ENGINEERING DRAWING DEVELOPMENT

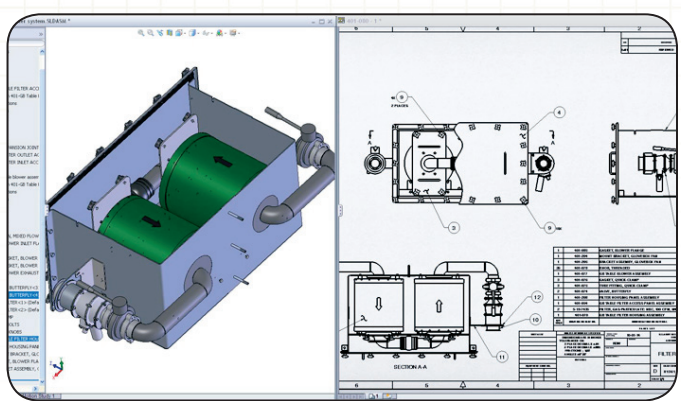


The Edgewood Chemical Biological Center (ECBC) Engineering Directorate Product Development Facility Advanced Design and Manufacturing's (ADM) Engineering Drawing Development (EDD) Branch is comprised of advanced Computer-aided design and drafting (CADD) modelers, highly skilled drafting technicians, and verification specialists. Our mission includes generating

fully detailed production level drawing packages, updating and maintaining legacy drawings in the ECBC database, writing and incorporation of engineering change proposals, participation in configuration control boards, tolerance analyses, and verification of drawings for completeness, accuracy, and up-to-date specifications and standard application.

The EDD staff has played a vital role in maintaining ECBC core team technical data for over 25 years. Integrated with ADM's engineering staff, EDD draftsmen and verifiers are able to produce developmental drawings and flat pattern data for immediate use in manufacturing prototypes of their design. With its expertise in three of the major CADD software utilized by industry today, the EDD branch is able to support a wide variety of products, including 3D modeling of unconventional items, from their developmental stage, to production, and onto lifecycle management.

The Engineering Drawing Development Branch is equipped to handle 3D, 2D, and raster data. EDD also utilizes graphic arts software to produce illustrations for technical manuals.



Expertise

- Staff includes SolidWorks Certified Professionals
- 30+ years of DoD Verification Experience

Capabilities

- Production Level Drawing Development
- Dimensioning and Tolerance Analysis (per ASME Y14.5M)
- Advanced Surface Modeling
- Product Data and Configuration Management Tools
- Rapid generation of developmental data
- Research of emerging CAD related technologies

Software and Hardware

- SolidWorks/ProEngineer/AutoCAD/ Raster Design
- Oce TDS600 Plotter and E-Sized Scanner
- 3DVIA Composer



For more information, please call 410.436.5542 or e-mail ecbc-adm@conus.army.mil



