

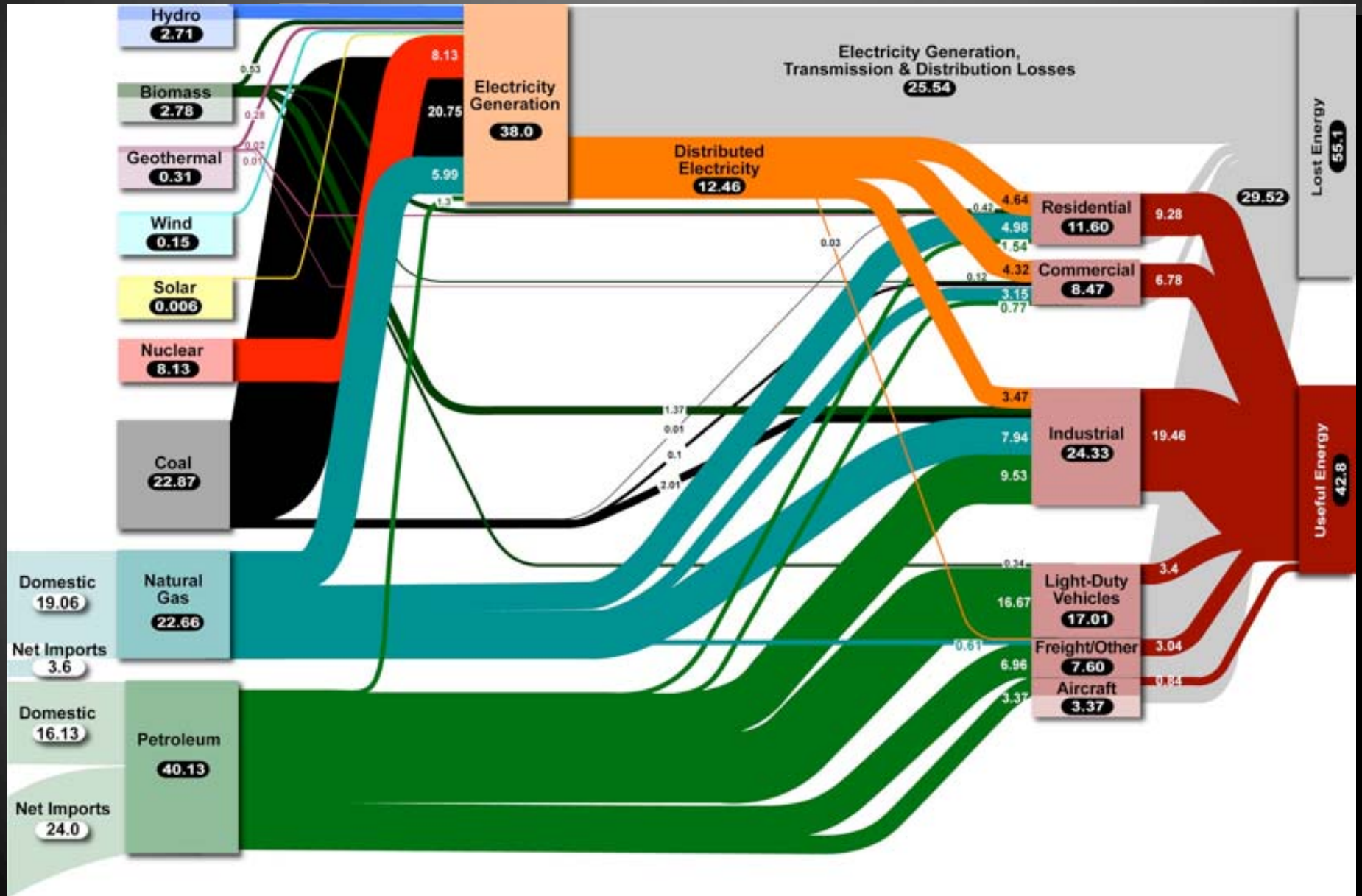
Where Are the Green Jobs?

Jon Wellinghoff
Chairman
Federal Energy Regulatory
Commission

Why Green Jobs?



Green Jobs In



Large Wind Systems



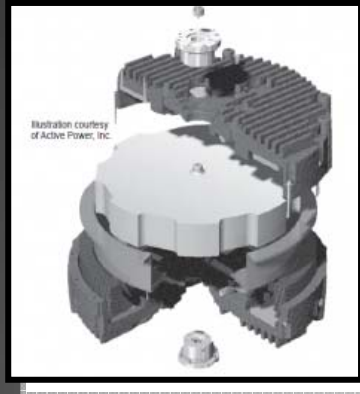
Geothermal Systems



Central Solar



Distributed Energy



Green Jobs Improving Energy Efficiency



Energy Efficiency at a Grand Scale



Energy Efficiency in Ordinary Places

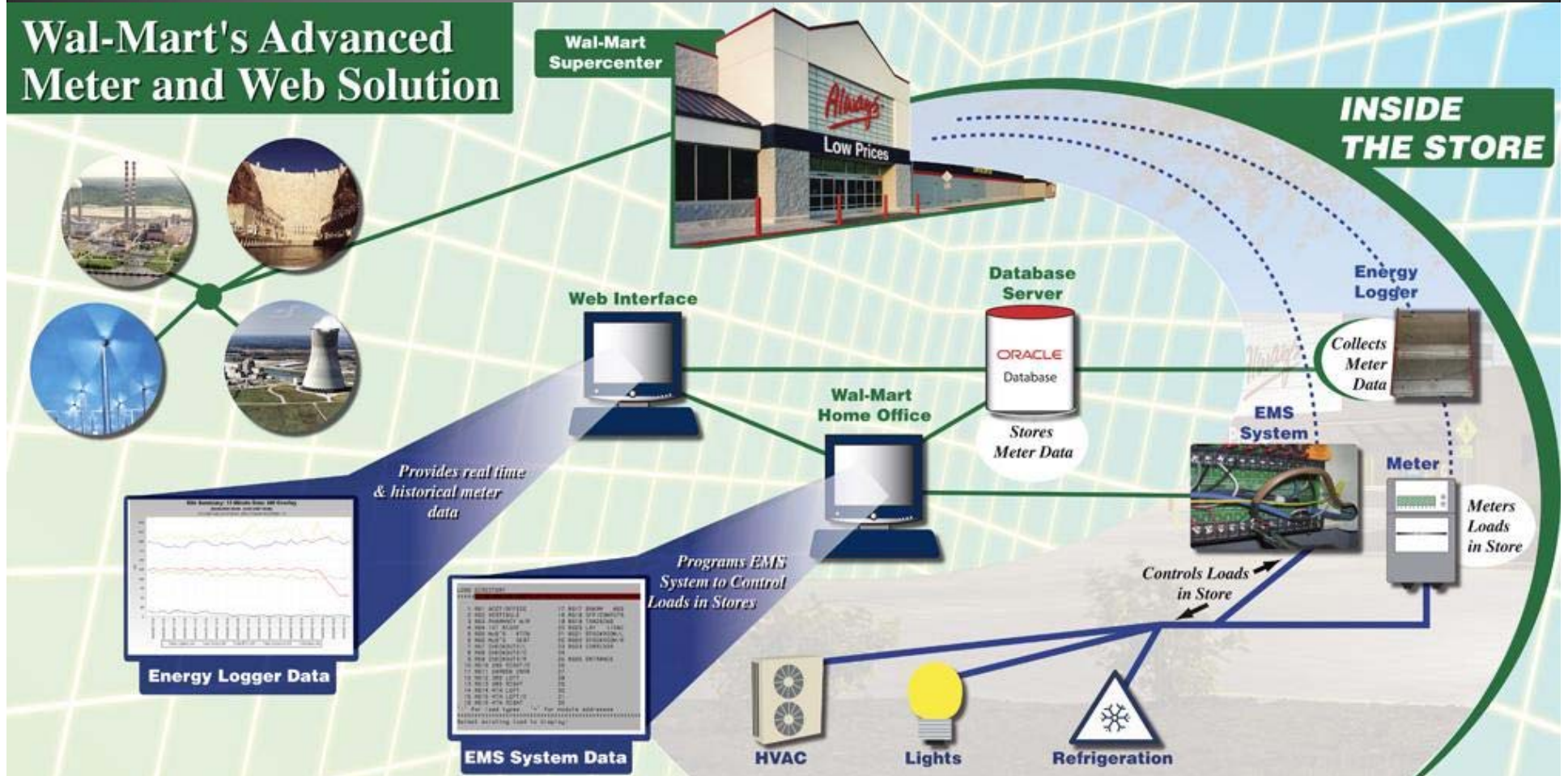


Energy Efficiency on the Road



The Smart Grid Meets the Smart Store

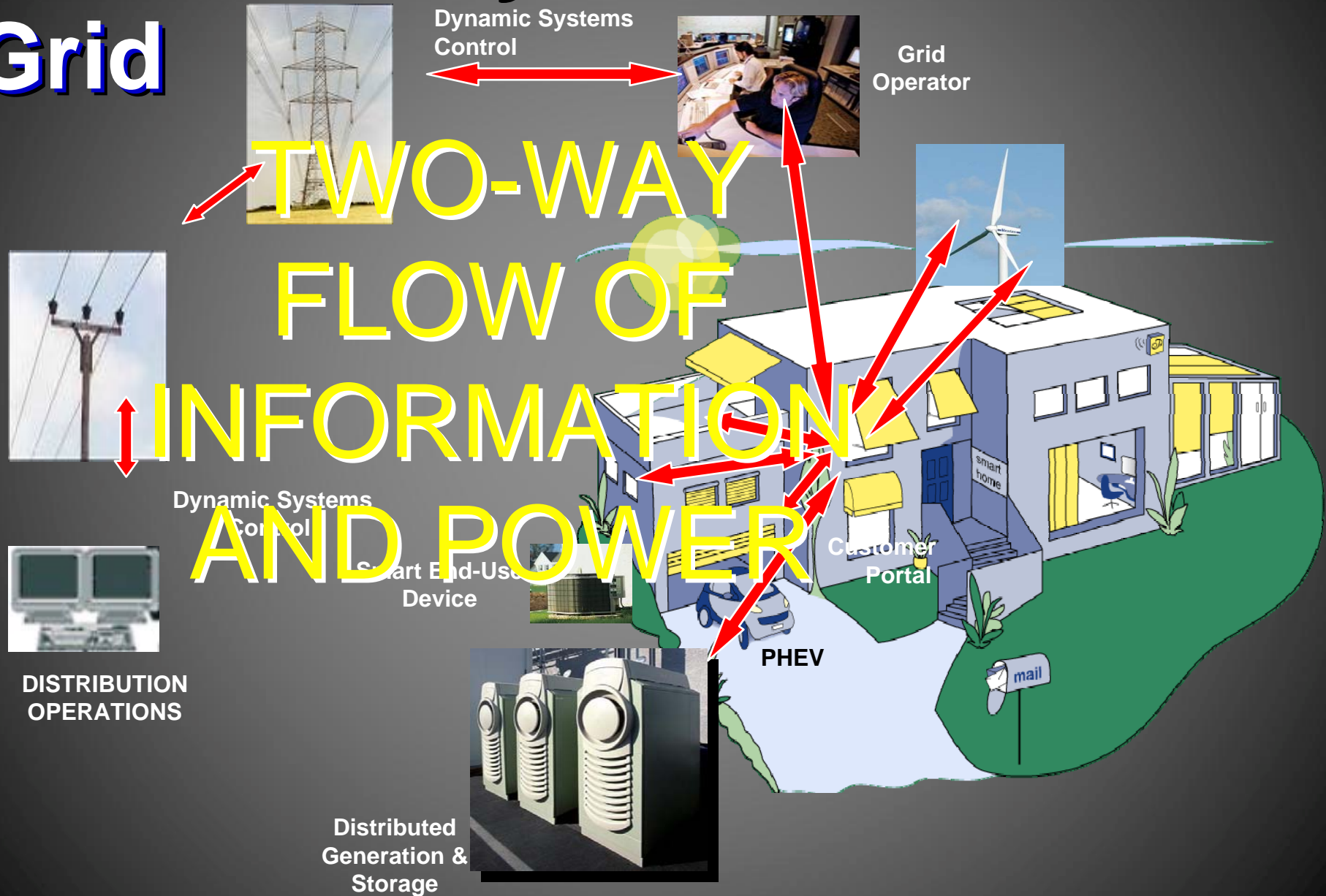
Wal-Mart's Advanced Meter and Web Solution



Electric Grid Control Room



21st Century Electric Grid



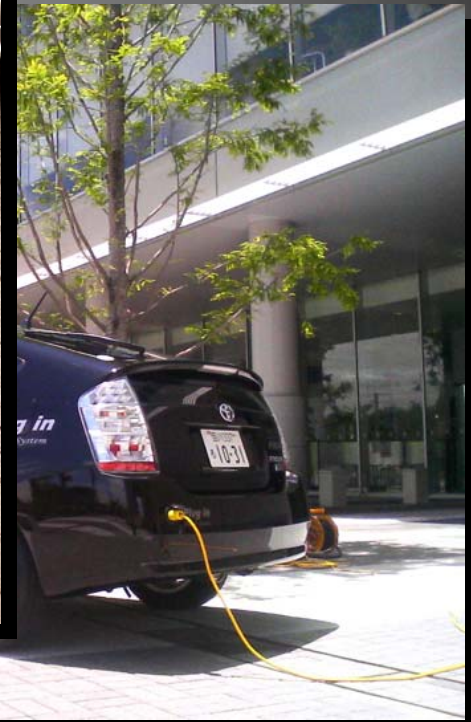
Smart Controls for the Consumer



Consumer Appliances



Electric Transportation- the Energy Intersection



The background of the slide is a photograph of three wind turbines in a field. The turbines are dark in color and are positioned at different distances from the viewer. The sky is a clear, light blue with some wispy white clouds. The overall scene is bright and clean, representing renewable energy.

**The Green Jobs
Are Out There and
They Are In Here
Too!**

**Thank
You**