

A

APPENDIX

Appendix A

Sidewalk Assessment Process Forms

- Stroll Sheet
- Intersection Checklist
- Curb Ramp Element Analysis Form
- Driveway Crossing Element Analysis Form
- Cut-Through Median Element Analysis Form
- Ramped Median Element Analysis Form

Stroll Sheet

STROLL SHEET FOR SIDEWALK ASSESSMENT PROCESS (SWAP)

Block name: _____ Starting X street: _____

Ending X street: _____

R/L side

Page __ of __

Curb Ramp Measurements:

CR Distance m	Number of Ramps #	Type (L I D C B)	Approach Slope %	Ramp Slope %	Ramp Length cm	Landing Length cm	Detectable Warning y/n

Station Measurements:

Distance m	Design Width cm	Cross Slope %	Running Grade %

Feature Measurements:

Feature Distance m	Feature	Dimension	Units	Comments

Notes:

Feature codes:

DC = Driveway

CL = Change in level

MCW = Minimum clearance width

MVC = Minimum vertical clearance

MG = Maximum Grade

PO = Protruding Object

MCS = Maximum cross slope

RCCS = Rapidly changing cross slope

Intersection Checklist:

Name of primary street:	
Name of cross street:	
Total number of lanes on primary street:	
Total distance across primary street (measure with rolatape):	
Total number of lanes on cross street:	
Total distance across street (measure with rolatape):	
Are there any left turn only lanes?	yes---no
Are there any right turn only lanes?	yes---no
Is a right turn on red permitted?	yes---no
Is there a right turn island?	yes---no
Is parking permitted on the primary street?	yes---no
Is parking permitted on the cross street?	yes---no
How many corners have curb extensions (bulbouts)?	
Is there a median?	yes---no
If so, is it designed as a pedestrian refuge?	yes---no
Is it identifiable to people with vision impairments?	yes---no
Is it accessible to people with mobility impairments?	yes---no
Does the intersection have four way stop signs?	yes---no
Does the intersection have two way stop signs?	yes---no
Is the intersection signalized?	yes---no
Is there a pedestrian actuated control signal?	yes---no
Location of control:	
Information emitted: audible vibrotactile infrared	
Is there a high contrast between the button and post color?	yes---no
Is there a tactile arrow indicating the street crossing direction?	yes---no
Height of control:	
Dimension of pedestrian button?	
Is 5 lbs of force or less required to operate the signal?	yes---no
Is the crosswalk marked?	yes---no
If so, what are the conditions of the markings?	
Duration of WALK interval:	
Comments:	

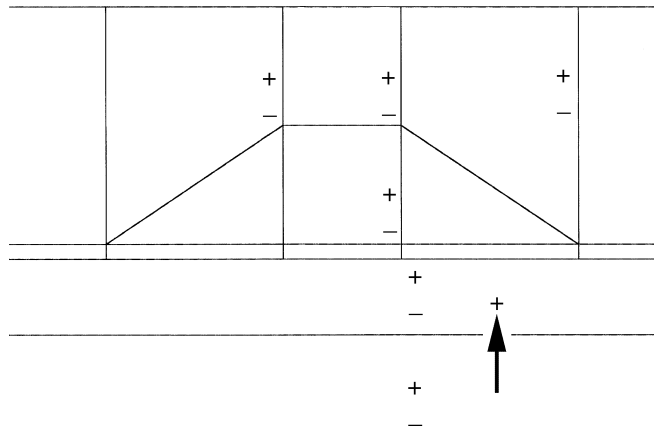
A**APPENDIX****Intersection Checklist**

A

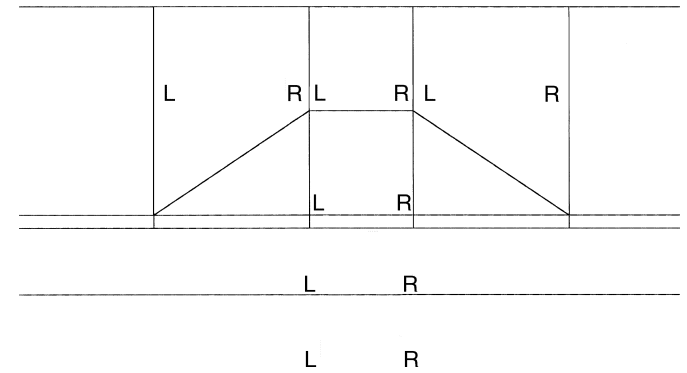
APPENDIX

Curb Ramp Element Analysis Form

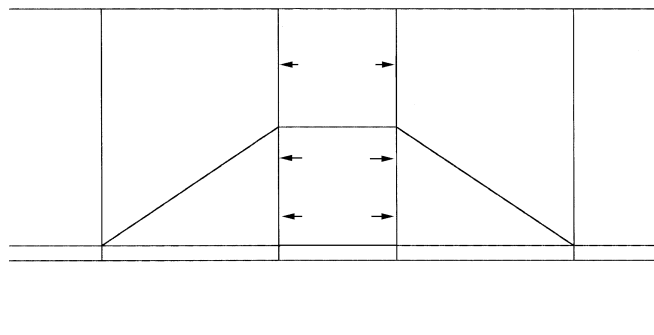
Slope Measurements in the Plus/Minus Direction



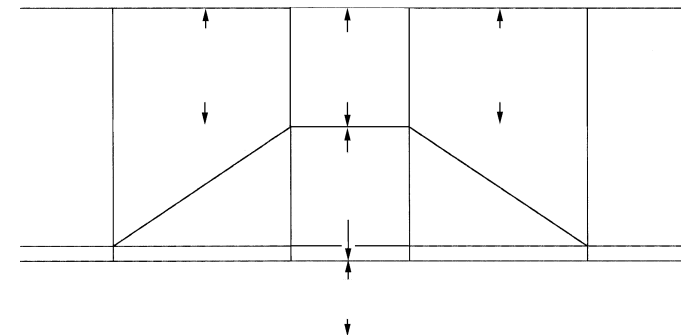
Downward Slope Measurements in the Left/Right Direction



Dimension Measurements in the X Direction



Dimension Measurements in the Y Direction

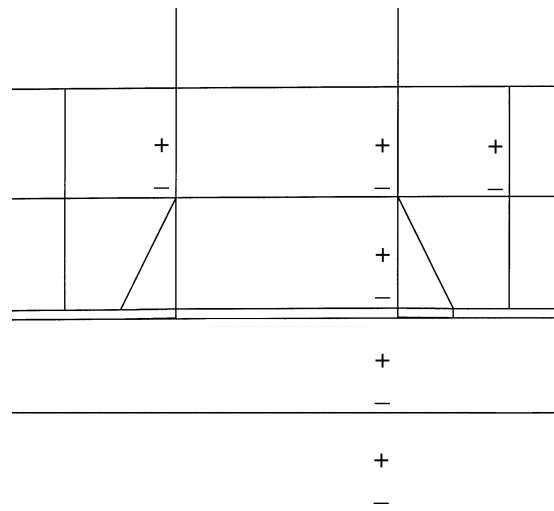


A

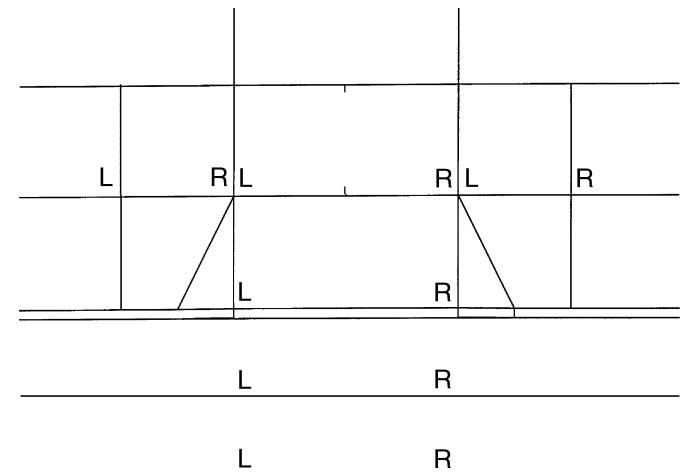
APPENDIX

Driveway Crossing Element Analysis Form

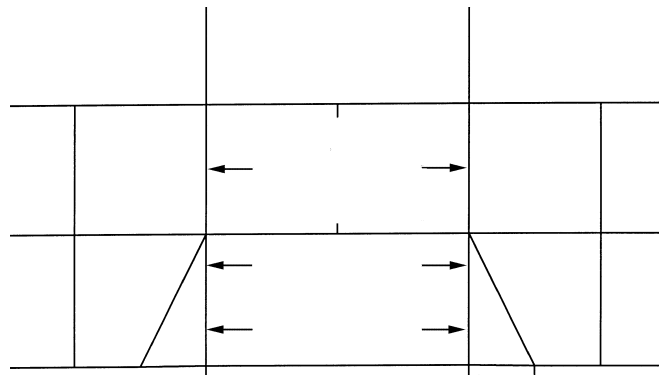
Downward Slope Measurements
in the Plus/Minus Direction



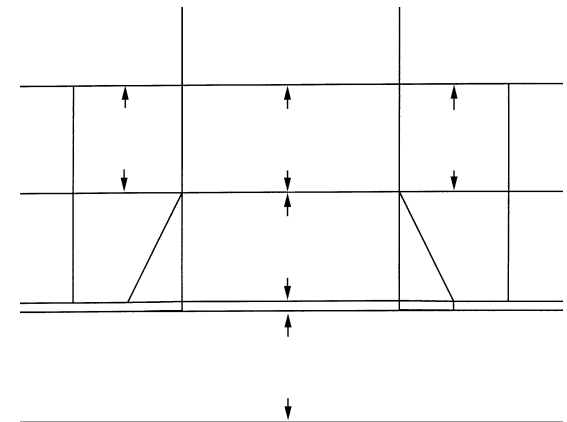
Slope Measurements in the Left/Right Direction



Dimension Measurements in the X Direction



Dimension Measurements in the Y Direction

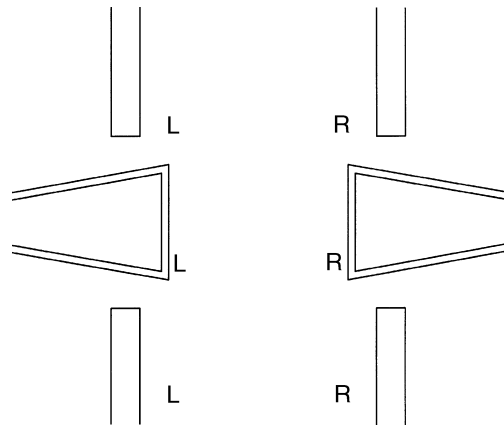


A

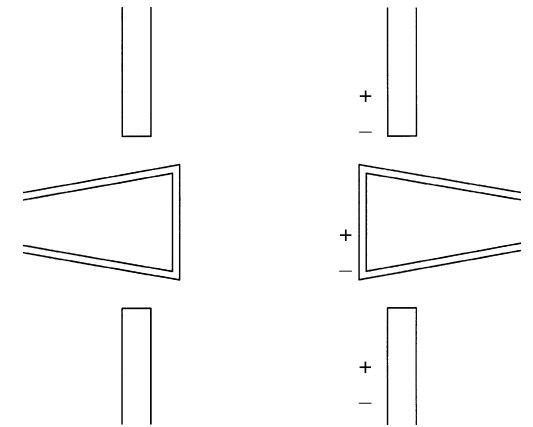
APPENDIX

Cut-Through Median Element Analysis Form

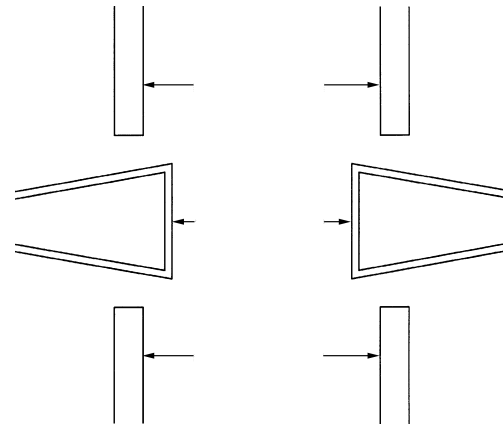
Downward Slope Measurements
in the Plus/Minus Direction



Slope Measurements in the Left/Right Direction



Dimension Measurements in the X Direction

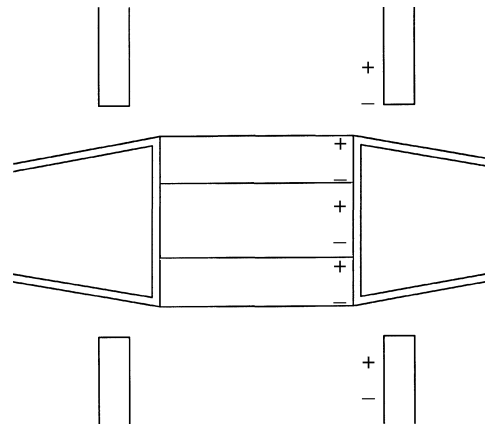


A

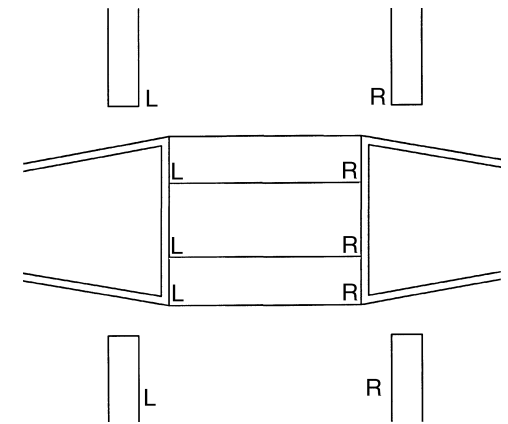
APPENDIX

Ramped Median Element Analysis Form

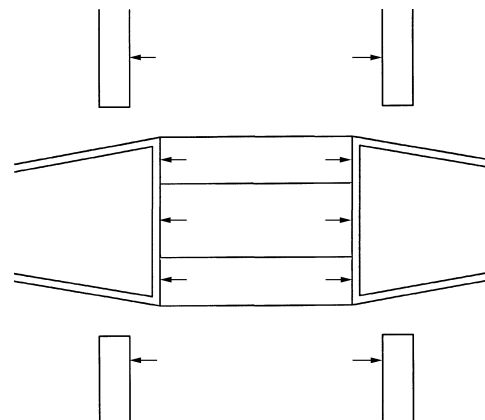
Downward Slope Measurements
in the Plus/Minus Direction



Slope Measurements in the Left/Right Direction



Dimension Measurements in the X Direction



Dimension Measurements in the Y Direction

