

Summary of the Proposed National Emissions Standard for Gold Mine Ore Processing and Production



Webinar
May 25, 2010

Presentation by Chuck French, U.S. EPA
Metals and Minerals Group
Office of Air Quality and Planning and Standards
Email: french.chuck@epa.gov
Phone: 919-541-7912



Outline

- Background
- Summary of the proposed regulation for mercury emissions
- Discussion of Non-mercury HAPs
- Schedule/next steps
- Questions?



Background

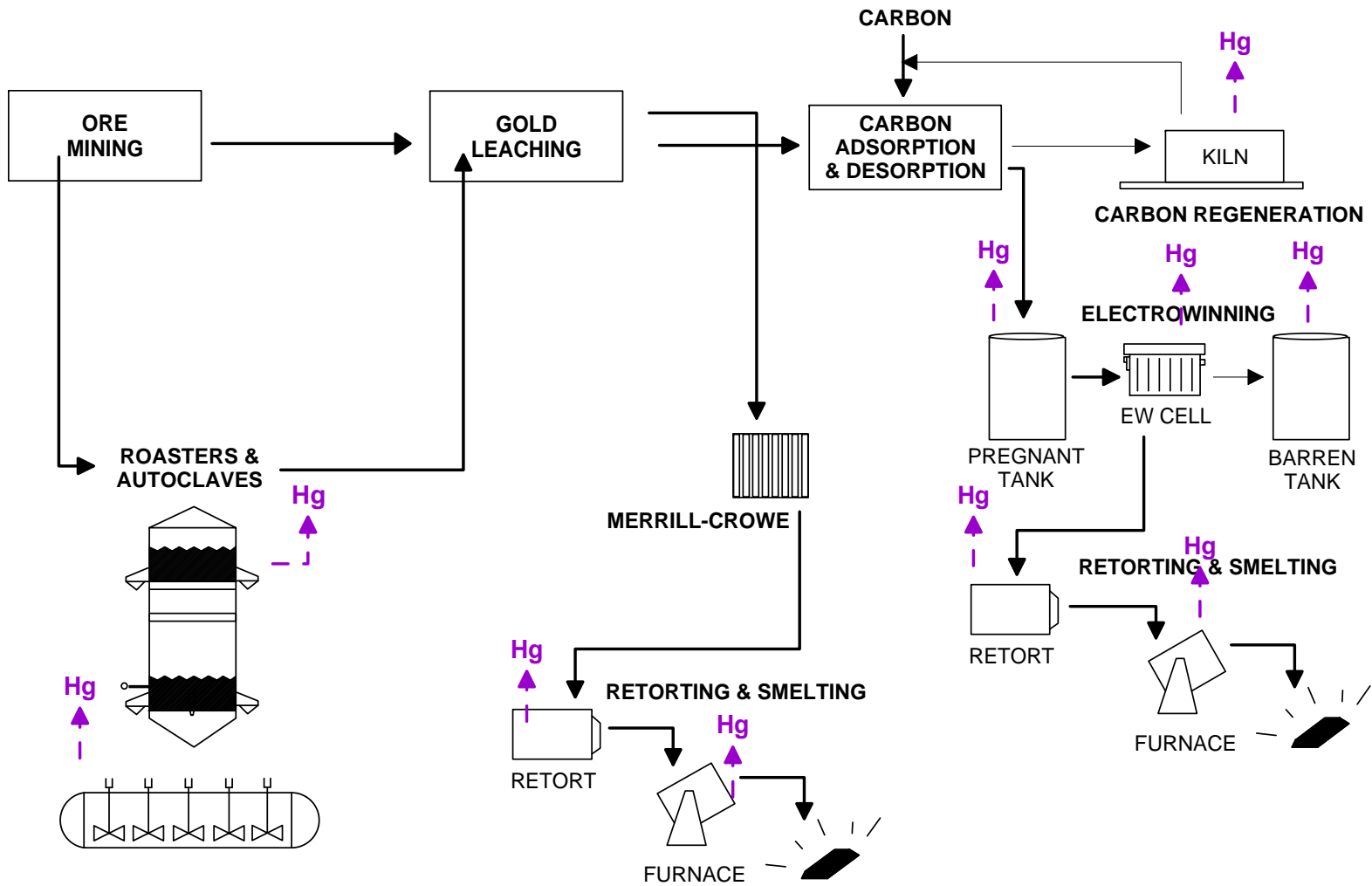
- 23 facilities in U.S. (15 in Nevada and 8 in other Western States)
- Gold Mines were identified in the 1999 National Emissions Inventory as a source of mercury emissions (estimated 11.5 tons per year)
 - Most emissions were from facilities located in Nevada
 - Initial Nevada Voluntary Program (2001-04) achieved some reductions
 - Targeted 5 large facilities
 - In 2006 Nevada DEP established a mandatory Mercury Control Program to achieve further reductions:
 - covers all gold and silver production operations in Nevada
 - requires best available control technology at facilities in Nevada
- In 2007, Gold Mines emitted an estimated 2.5 tons of mercury nationwide
- In 2008, EPA determined that mercury emissions from Gold Mines should be regulated under the National MACT program
 - Pursuant to Section 112(c)(6) of the Clean Air Act



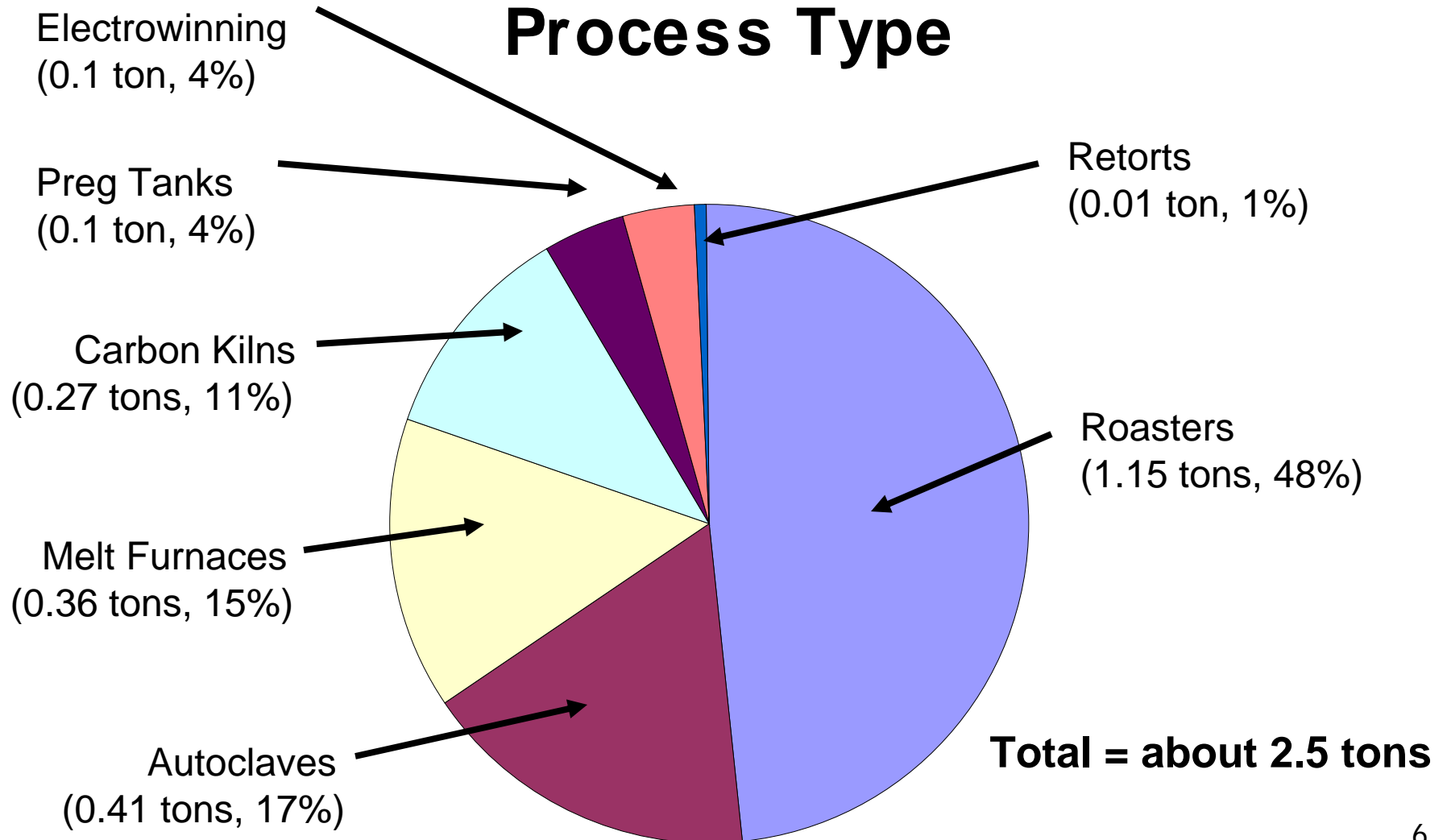
Summary of Gold Mine Production Processes in U.S.A.

- All facilities:
 - mine, crush ores.....
 - conduct various other processes, depending on ore type, etc.
- 5 facilities use high temperature ore pre-treatment (roasters or autoclaves) before cyanide leaching.
- About 18 facilities process ores without pre-treatment (no roaster or autoclave), but have other thermal processes:
 - About 14 facilities add carbon to leaching, therefore have carbon kilns and 2-4 other processes (e.g., electrowinning, retorts, furnaces).
 - About 4 facilities use no carbon (therefore no kiln), but have other processes (e.g., furnaces, retorts).

Overview of Gold Mine Production Processes



Gold Mine Ore Processing - Mercury Emissions in 2007 by Process Type





Summary of Mercury Controls for Gold Production Facilities

- A number of facilities already have effective mercury controls on many units.
- Facilities apply various control technologies and pollution prevention measures to limit mercury emissions, including:
 - gas condensers
 - carbon adsorption units
 - wet scrubbers
 - fabric filters
 - mercurous chloride scrubbers (calomel scrubbers)
 - wet venturi scrubbers
 - chemical additives to improve mercury capture.

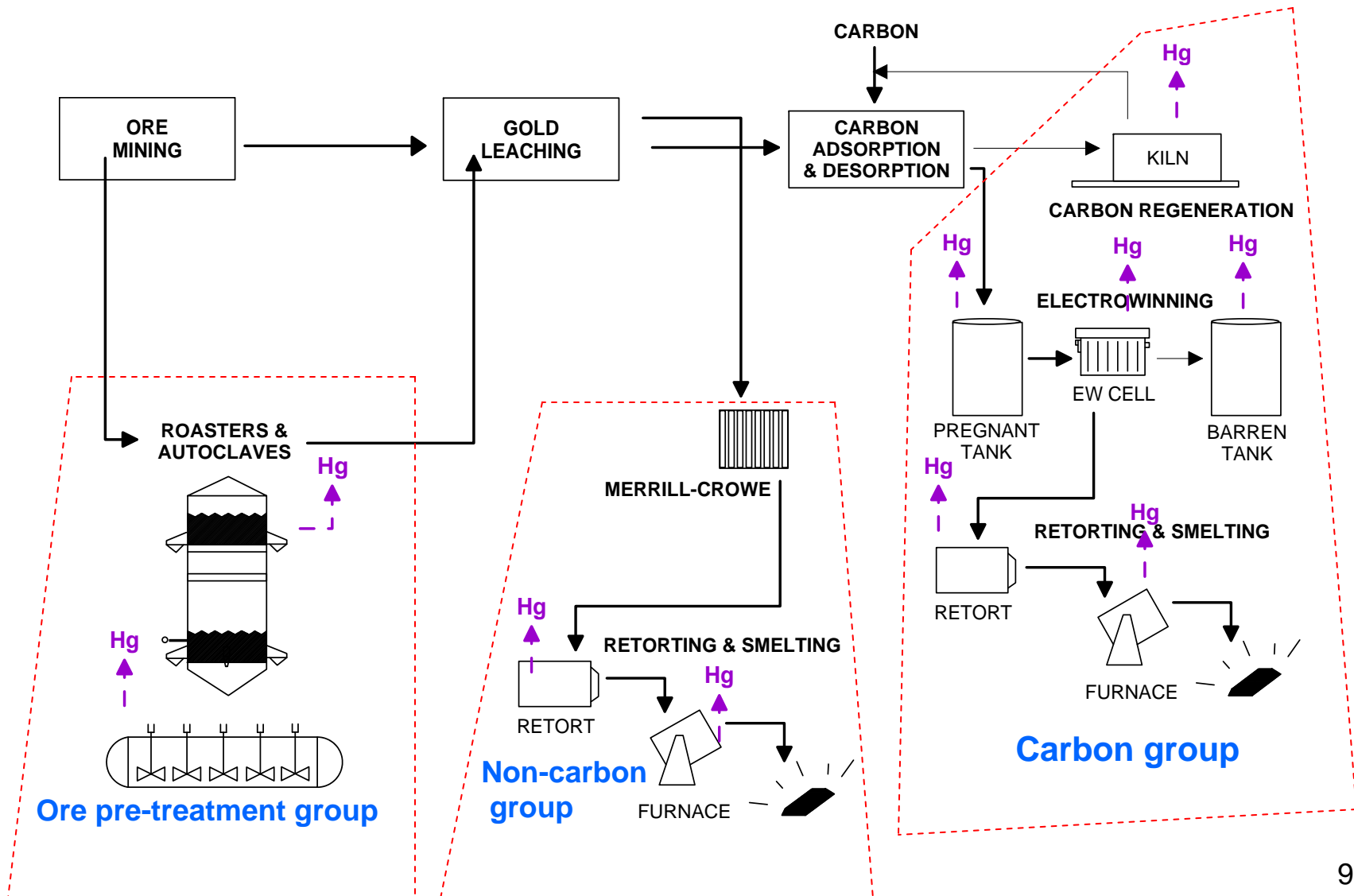


Summary of the Proposed National Emissions Standard

- Coordinated with Nevada DEP and other stakeholders in development of the proposal
 - We believe the proposed requirements are compatible with the Nevada Mercury Control Program
- Emissions limits are proposed for mercury, based on Maximum Achievable Control Technology (MACT), for the 3 types of affected processes:

	Ore-pretreatment Processes	Carbon Processes	Non-carbon Processes
Existing sources	149 lb/million tons of ore	2.6 lb/ton of concentrate	0.25 lb/ton of concentrate
New Sources	149 lb/million tons of ore	0.14 lb/ton of concentrate or 97% reduction	0.20 lb/ton of concentrate

Gold Ore Processing – 3 Process Groups - Proposed Approach for MACT limits





Proposed Compliance Testing and Monitoring Requirements

- For all thermal units, annual stack tests for mercury (using method 29, 30A, 30B, or the Ontario Hydro method).
- For carbon beds, facilities need to monitor temperatures and do one of the following to prevent breakthrough:
 - weekly test with method 30B, and as mercury concentrations approach an “operating limit” established during the performance test, facility must change carbon;
 - periodic sampling of carbon bed at specified depths, and when carbon reaches 90% capacity, carbon must be changed; or
 - replace carbon at specified frequency based on knowledge of bed life demonstrated by one of the above methods.
- Wet Scrubbers:
 - Monitor water flow rate and pressure drop.



Proposed Monitoring Requirements for Roasters

- Continuous emissions monitoring for mercury using either:
 - Hg CEMS (daily average), or
 - Method 30B (sorbent trap) with weekly sampling and analysis
- Concentrations would be compared to an “operating limit” established during the performance test to assure that controls are working, but not used to demonstrate compliance to the MACT emission limit.
- Any deviation must be reported to permitting authority and corrective action taken.
- We also propose that for roasters that are not monitored with a Hg CEMS that facilities must monitor various parameters of the calomel scrubbers including: scrubber liquid flow; pressure drop; inlet temperature; and chloride ion concentration or oxidation reduction potential and pH

Estimated Mercury Emissions Reductions

Affected Processes	Uncontrolled emissions (lb/yr)	2007 emissions (lb/yr)	Reductions due to Federal MACT and Nevada Hg Program (lb/yr)	% Reduction from 2007 emissions	% Reduction from uncontrolled emissions
Ore Pre-treatment processes	18,976	3,383	2,150	64%	94%
Carbon processes	14,465	1,537	1,397	91%	99%
Non-carbon processes	768	139	125	90%	98%
Total	34,209	5,059	3,672	73%	96%

Estimates of Costs and Cost Effectiveness

Case	Capital cost	Total annualized cost	MACT emission reduction (lb/yr)	Average cost effectiveness
Hg controls only	\$4.8 million	\$2.3 million/year	1,650	\$1,400/lb Hg
With monitoring	\$6.0 million	\$3.4 million/year	1,650	\$2,100/lb Hg



Non-Mercury HAP

- In 2009, we requested that industry conduct emissions tests for non-mercury HAPs, including cyanide and non-mercury metals
 - Cyanide is mainly emitted from large non-point sources (e.g., leach pads, tailings ponds), and non-mercury metals are mainly emitted from stacks
- Testing was completed, and all data submitted to EPA in early 2010
- Results indicate there are no major sources
 - The largest facility emits an estimated 5 to 9 tons of cyanide per year
 - All other HAPs are individually significantly lower than the 10 tons per year (tpy) threshold for a single HAP and the 25 tpy threshold for a combination of HAP.
- The proposed rule text has no requirements for non-mercury HAPs.
 - However, the preamble discusses cyanide and requests comments on possible management practices or other approaches to limit cyanide emissions.



Seeking comments on several specific topics, including:

- Title V:
 - About 6 of the 15 facilities currently have Title V permits
 - We are soliciting comment on whether an exemption is appropriate for any particular sources in this category.
- Hg CEMs:
 - Technology not yet demonstrated on these facilities.
 - We request comments on the viability of using mercury CEMs, specifically for monitoring mercury emissions from roasters.
- Carbon vs concentrate metric for “Carbon Group”
 - The proposed emissions limits for this group are in units of pounds of mercury per ton of concentrate.
 - We seek comment on whether “loaded carbon” might be another option worth further consideration as the denominator (e.g., pounds of mercury per ton of loaded carbon)
- Cyanide Emissions - Management Practices?



Schedule

- April 15, 2010 – Proposed rule was signed by EPA Administrator
- April 28, 2010 – Proposed rule published in Federal Register
- May 20, 2010 – Published Notice of extension of comment period to 6/28/2010
- June 28, 2010 – Public Comment period ends
- December 16, 2010 – Final rule deadline (court-ordered)