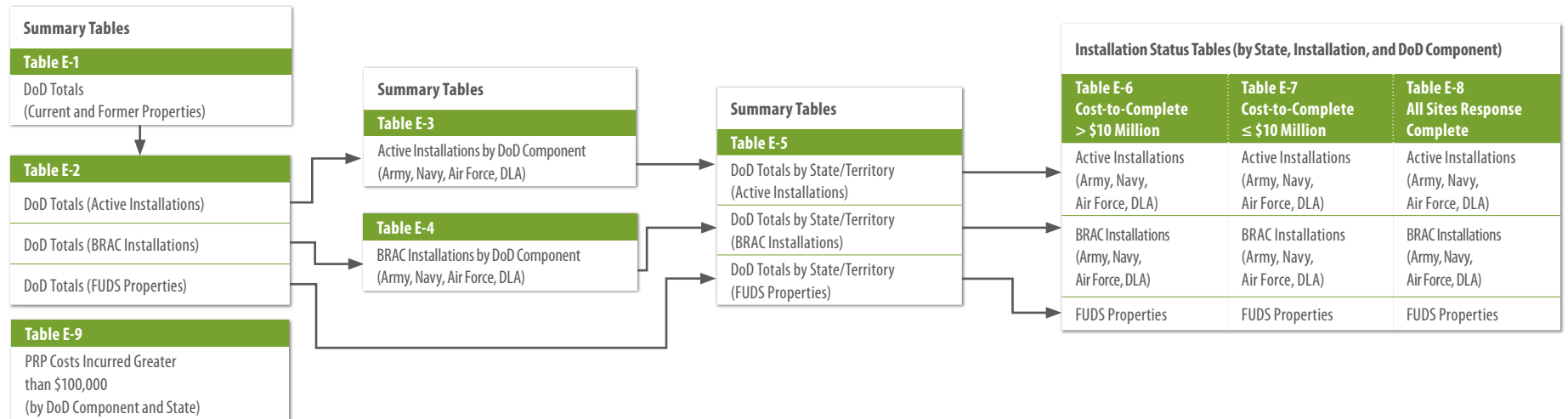

E Status Tables

Installation Restoration Program and Military Munitions Response Program

The status tables in this appendix present data for the Installation Restoration Program (IRP) and the Military Munitions Response Program. The data in these tables are required by 10 United States Code §2706(a)(2), which defines the Defense Environmental Restoration Program (DERP) information that must be included in this Defense Environmental Programs Annual Report to Congress.

These tables are arranged by installation, state, and Department of Defense Component. They portray various aspects of the DERP such as cleanup status and funding information. The IRP statistics in this appendix include statistics for the Building Demolition/Debris Removal Program, a minor DERP category.

Figure E-1 Illustration of Tables E-1 through E-9



The Department of Defense (DoD) Components were required to report Munitions Response Site Prioritization Protocol (MRSPP) scores beginning in fiscal year (FY) 2008. The MRSPP provides a framework for implementing §311(b) of the National Defense Authorization Act for FY02. The Act requires DoD Components to assign a relative priority to each munitions response site (MRS) known or suspected to contain unexploded ordnance, discarded military munitions, or munitions constituents. This relative priority is known as the MRS priority. Priority is based on explosive, chemical warfare materiel, and health hazard evaluations conducted for each MRS. The priority assigned to an MRS may be one of eight numeric scores or have one of these alternative ratings: evaluation pending; no longer required; or no known or suspected hazards.

Figure E-1 illustrates the descriptions of each of the nine status tables in this appendix. Here is a brief description of each one:

- Status Table E-1 provides a data summary of Defense Environmental Restoration Program (DERP) sites at all current and former DoD properties.
- Status Table E-2 provides separate summaries of DERP sites at active installations, Base Realignment and Closure (BRAC) installations, and Formerly Used Defense Site (FUDS) properties.
- Status Table E-3 subdivides the active installations presented in Table E-2 by DoD Component (Army, Navy, Air Force, and the Defense Logistics Agency [DLA]).
- Status Table E-4 subdivides the BRAC installations presented in Table E-2 by DoD Component (Army, Navy, Air Force, and DLA).
- Status Table E-5 provides status and cost summaries of DERP sites at active installations, BRAC installations, and FUDS properties located within the 50 states, U.S. territories, and the District of Columbia.

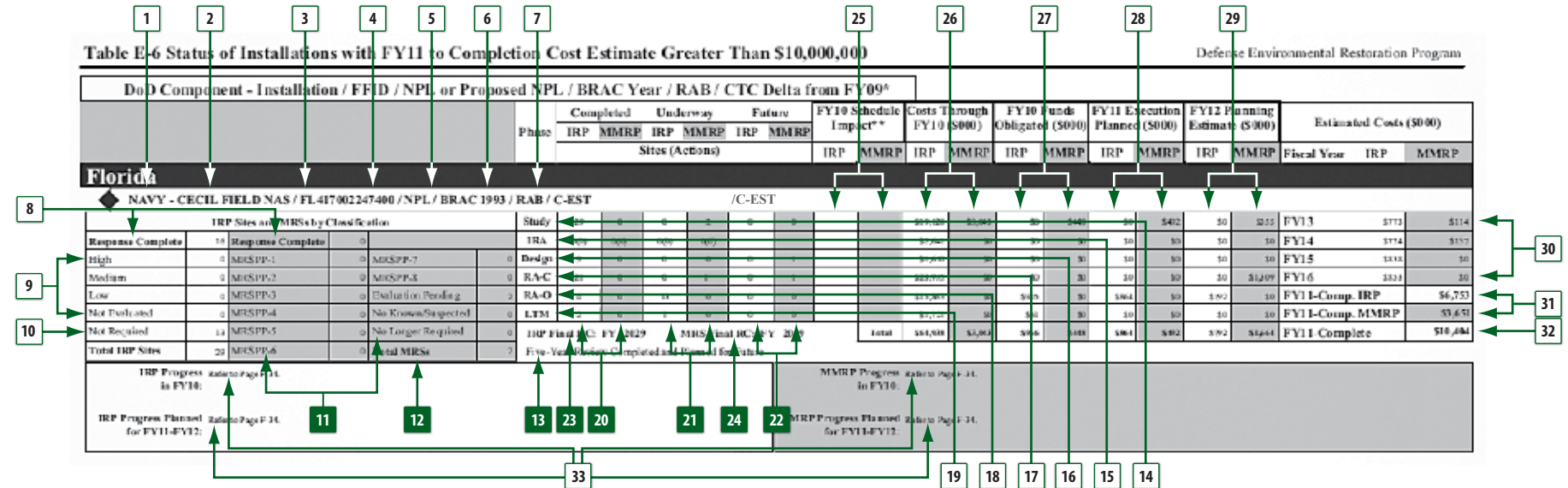
- Status Table E-6 provides five-year review report status and explanations for significant changes in cost-to-complete (CTC) estimates since FY09. It also provides National Priorities List (NPL) status, BRAC round year(s), site status, and funding information for active installations, BRAC installations, and FUDS properties that have:
 - Ongoing or planned investigations or cleanup actions
 - Estimated CTC greater than \$10 million for the Installation Restoration Program (IRP) and the Military Munitions Response Program (MMRP)
- Status Table E-7 provides site counts and cost data for active installations, BRAC installations, and FUDS properties that have:
 - Ongoing or planned investigations or cleanup actions
 - Estimated CTC less than or equal to \$10 million for the IRP and the MMRP
- Status Table E-8 lists the total number of sites and costs incurred for active installations, BRAC installations, and FUDS properties that have achieved response complete status at all sites.
- Status Table E-9 provides data by state for installations that have incurred potentially responsible party costs greater than \$100,000 through FY10.

The number of installations reported in Status Tables E-1 and E-2 represents the number of installations funded by each DoD Component. Note that the number of installations reported in these tables may exceed the number of actual installations because:

- Installations may be funded by more than one DoD Component
- Prior year Environmental Restoration (ER) funding may be reported for installations that are now funded completely by the BRAC Program
- Current and future ER and BRAC funding may be reported for one installation with both ER and BRAC sites

Figure E-2 provides detailed descriptions of the data elements in the status tables.

Figure E-2 DERP Data Element Descriptions



Footnote	Data Element Descriptions
1	DoD Component Name—identifies the DoD Component responsible for environmental cleanup (Army, Navy, Air Force, DLA, or FUDS).
2	Installation Name—provides the name of the DoD installation or FUDS property.
3	Federal Facility Identification Number (FFID)—a unique 14-digit alpha-numeric identifier used to manage and track the DoD installation or FUDS property.
4	NPL or Proposed NPL—if displayed, indicates that the DoD installation or FUDS property is either listed on or has been proposed for listing on the U.S. Environmental Protection Agency's NPL. The NPL is the list of national priorities among the known releases or threatened releases of hazardous substances and pollutants or contaminants throughout the United States and its territories.
5	BRAC Year—if displayed, indicates that the DoD installation has been identified for closure or realignment under one or more of the five BRAC rounds (1988, 1991, 1993, 1995, and 2005).
6	Restoration Advisory Board (RAB)—if displayed, indicates that a RAB has been established and continues to operate, providing communities effected by DERP activities at the DoD installation or FUDS property with the ability to discuss, evaluate, and exchange information in an open forum.
7	CTC Delta from FY09—if displayed, indicates that the current funding projection has changed by more than 10 percent as compared to the funding projection reported in FY09. There are three possible explanations for CTC deltas (which include, but are not limited to, the examples that follow them): technical issues (additional sites identified, incomplete site data, additional or extended remedial action operation required); regulatory issues (changes to an existing cleanup requirement, new regulations); and changes in estimating criteria (addition of cost data that were overlooked or previously unknown, database updates and corrections).
8	Response Complete (RC)—represents the number of DERP sites at which all cleanup objectives have been met. The number of IRP sites that have achieved RC is displayed in the white cell, and the number of MRSs that have achieved RC is displayed in the gray cell.
9	Relative Risk Site Evaluation (RRSE) Status—the RRSE framework is a methodology used by DoD to evaluate the relative risk posed by an IRP site in relation to other IRP sites. These cells display the number of IRP sites in each of the following relative risk categories: High, Medium, Low, Not Evaluated, and Not Required.
10	Total IRP Sites—represents the total number of IRP sites at the DoD installation or FUDS property. This number corresponds to the number of sites at RC, plus the number of sites in each of the relative risk categories.
11	MRSPP Status—the MRSPP is used by DoD to assign a relative priority to each MRS, based on potential hazards and site conditions, to rank sites for cleanup and funding. These cells display the number of MRSs with each of the eight numeric MRSPP scores and the following three alternative ratings: evaluation pending, no known or suspected hazards, and evaluation no longer required. A Priority 1 MRS contains the highest potential hazard, while a Priority 8 MRS contains the lowest potential hazard.

Figure E-2, cont. DERP Data Element Descriptions

Footnote	Data Element Descriptions
12	Total MRSs—represents the total number of MRSs at the DoD installation or FUDS property. This number corresponds to the sum of the MRSs associated with each of the eight numeric MRSPP scores, plus the number of MRSs assigned to each of the three alternative ratings.
13	Five-Year Review Status—provides the status of the five-year review for the DoD installation or FUDS property, where such review is required. A five-year review may be completed, underway, planned for the future, or any combination thereof. It is important to note that a five-year review may be required for selected DERP sites, not necessarily all sites at the installation or property.
14	Study—comprises three investigation phases: preliminary assessment (PA), site inspection (SI), and remedial investigation/feasibility study (RI/FS). The PA is a review of existing information to determine if a hazardous substance or pollutant or contaminant release(s) requires additional investigation or action. The SI is an on-site investigation to augment the data collected in the PA and determine the need for further action. The RI/FS characterizes the site and evaluates various alternatives for cleanup of the site.
15	Interim Remedial Action (IRA)—a remedial action undertaken prior to selection of the final remedy as a component of a larger remedy at a DERP site.
16	Design—includes developing the design plans for and specifications of the selected remedy at a DERP site.
17	Remedial Action Construction (RA-C)—represents the period of time that a response action is being implemented but is not yet operating as designed. At the end of this phase of work, the remedy is in place.
18	Remedial Action Operation (RA-O)—represents the period of time that a selected remedy must operate before achieving cleanup objectives. At the end of this phase of work, the response is complete.
19	Long-Term Management (LTM)—includes activities such as environmental monitoring, review of site conditions, and maintenance of a remedy to ensure continued protection as designed once a DERP site achieves RC.
20	Phases Completed—represents the number of DERP sites that have completed each phase. The number of IRP sites associated with each phase is displayed in the white cells, and the number of MRSs associated with each phase is displayed in the gray cells.
21	Phases Underway—represents the number of DERP sites with each phase underway as of the end of FY10. The number of IRP sites associated with each phase is displayed in the white cells, and the number of MRSs associated with each phase is displayed in the gray cells.
22	Phases Planned for the Future—represents the number of DERP sites with each phase planned for FY11 and beyond. All DERP sites require at least one of the three investigation phases that comprise the study phase (PA, SI and RI/FS), but they may not require all of the remaining phases (IRA, design, RA-C, RA-O, and LTM); thus, adding up the number of sites with study completed, underway, and planned for the future matches the total number of sites, while adding up the number of sites with each of the remaining phases completed, underway, and planned for the future generally does not. The number of IRP sites associated with each phase is displayed in the white cells, and the number of MRSs associated with each phase is displayed in the gray cells.
23	IRP Final RC—represents the fiscal year in which all IRP sites achieved or will achieve RC.
24	MMRP Final RC—represents the fiscal year in which all MRSs achieved or will achieve RC.
25	Schedule Impact in FY10—if displayed, indicates that the schedule for a phase was impacted in FY10. The reasons a schedule may be impacted include technical, contracting, personnel, regulatory, and funding issues. Reasons for impacts to IRP cleanup are displayed in the white cells, and reasons for impacts to MMRP cleanup are displayed in the gray cells.
26	Costs Through FY10—represents funding allocated to DERP sites for each phase from the time cleanup activities began through FY10, in thousands of dollars. Funding to date for IRP sites is displayed in the white cells, and funding to date for MRSs is displayed in the gray cells. Note that the MMRP was established in 2001; prior to that, costs related to addressing sites contaminated with unexploded ordnance, discarded military munitions, and munitions constituents were included with IRP costs.
27	FY10 Funds Obligated—represents funding allocated to DERP sites for each phase in FY10, in thousands of dollars. FY10 funding for IRP sites is displayed in the white cells, and FY10 funding for MRSs is displayed in the gray cells.
28	FY11 Execution Planned—represents funding projected for allocation to DERP sites for each phase in FY11, in thousands of dollars. Projected funding for IRP sites is displayed in the white cells, and projected funding for MRSs is displayed in the gray cells.
29	FY12 Planning Estimate—represents funding projected for allocation to DERP sites for each phase in FY12, in thousands of dollars. Projected funding for IRP sites is displayed in the white cells, and projected funding for MRSs is displayed in the gray cells.
30	Estimated Costs FY13 Through FY16—represents funding projected for allocation to DERP sites in each year from FY13 through FY16, in thousands of dollars. Projected funding for IRP sites is displayed in the white cells, and projected funding for MRSs is displayed in the gray cells.
31	IRP and MMRP CTC—represents funding projected for allocation to DERP sites from FY11 through completion of cleanup activities, including LTM, in thousands of dollars. The CTC for IRP sites is displayed in the white cell, and the CTC for MRSs is displayed in the gray cell.
32	Total CTC—represents funding projected for allocation to DERP sites from FY11 through completion of IRP and MMRP cleanup activities, including LTM, in thousands of dollars.
33	IRP/MMRP Progress—describes IRP and MMRP cleanup progress made during FY10, and IRP and MMRP cleanup activities planned for the next two years. If the DoD installation or FUDS property requires an environmental restoration narrative, reference to that narrative is provided in this section.

Figure E-3 Installations and Properties with DERP-eligible sites in FY10

DoD Component	Number of Installations/Properties
Army	1,323
Navy	254
Air Force	323
Defense Logistics Agency	7
Formerly Used Defense Sites	2,691
Total	4,598

Figure E-3 lists the total number of installations and properties with DERP-eligible sites reported by each DoD Component in FY10.

Figure E-4 Installations Funded by Multiple DoD Components in FY10

DoD Components Providing Funding	Installation	FFID
Army and Air Force	Massachusetts Military Reservation (MMR)	MA157282448700

Figure E-4 lists installations that received funding for restoration activities from more than one DoD Component in FY10.

Although BRAC installations are funded primarily by one of the BRAC accounts, some installations may also receive ER funding because both ER and BRAC sites are being addressed at these installations. Figure E-5 lists installations with both ER and BRAC sites. It also provides site counts, funds spent through FY10, and CTC estimates for the ER and BRAC sites.

Figure E-5 Installations with Multiple Funding Sources

DoD Component	Installation	FFID	Number of ER Sites	Number of BRAC Sites	ER Funding to Date (\$000)	BRAC Funding to Date (\$000)	ER CTC (\$000)	BRAC CTC (\$000)
Army	Deseret Chemical Depot	UT821382026500	31	8	\$23,775	\$1,130	\$23,467	\$104,604
Army	Detroit Arsenal	MI521382026800	1	26	\$17	\$9,747	\$0	\$77
Army	Devens Reserve Training Facility	MA121042027000	10	78	\$230	\$153,163	\$0	\$27,406
Army	Fort Buchanan	PR22140RQ32700	27	1	\$3,466	\$474	\$6,866	\$0
Army	Fort George G. Meade	MD321022056700	40	14	\$51,108	\$56,247	\$10,324	\$2,314
Army	Fort Greely	AK021452215500	58	19	\$23,487	\$21,188	\$6,588	\$0
Army	Fort Indiantown Gap	PA321402044400	12	3	\$529	\$1,349	\$0	\$0
Army	Fort McClellan	AL421372056200	7	130	\$13,561	\$241,354	\$0	\$213,093
Army	Fort McPherson	GA421402056500	10	7	\$8,112	\$2,096	\$0	\$391
Army	Fort Monmouth	NJ221382059700	23	33	\$12,506	\$16,879	\$0	\$17,318
Army	Fort Monroe	VA321372060300	3	30	\$2,012	\$5,045	\$0	\$72,750
Army	Fort Totten	NY221022089700	6	15	\$27	\$830	\$0	\$0
Army	Indiana Army Ammunition Plant	IN521382044300	89	2	\$24,262	\$3,444	\$441	\$0
Army	Kansas Army Ammunition Plant	KS721382046700	12	17	\$33,639	\$9,411	\$0	\$6,015
Army	Letterkenny Army Depot	PA321382050300	77	42	\$106,673	\$29,138	\$2,893	\$2,392
Army	Lone Star Army Ammunition Plant	TX621382183100	39	9	\$26,231	\$3,923	\$0	\$6,685

Figure E-5, cont. Installations with Multiple Funding Sources

DoD Component	Installation	FFID	Number of ER Sites	Number of BRAC Sites	ER Funding to Date (\$000)	BRAC Funding to Date (\$000)	ER CTC (\$000)	BRAC CTC (\$000)
Army	Newport Chemical Depot	INS21382227200	10	9	\$19,579	\$2,109	\$0	\$1,819
Army	Red River Army Depot	TX621382073800	60	32	\$25,897	\$23,133	\$49,955	\$10,348
Army	Riverbank Army Ammunition Plant	CA921382075900	9	4	\$54,664	\$4,166	\$0	\$1,405
Army	Sierra Army Depot	CA921382084300	52	12	\$70,772	\$25,926	\$12,896	\$16,058
Army	Tooele Army Depot	UT821382089400	43	29	\$61,207	\$68,996	\$28,078	\$10,673
Army	Vancouver Barracks	WA021402092400	2	5	\$96	\$214	\$0	\$1,080
Navy	Barbers Point NAS	HI917002432600	14	21	\$8,443	\$55,343	\$5,069	\$413
Navy	Bethesda NAVMEDCOM NATCAPREG	MD317002468700	8	1	\$3,552	\$54	\$887	\$0
Navy	Brunswick NAS	ME117002201800	15	13	\$64,199	\$27,662	\$0	\$45,393
Navy	Concord NWS	CA917002452800	10	17	\$80,555	\$14,252	\$0	\$23,775
Navy	Guam FISC	GU917002753200	6	1	\$17,433	\$1,099	\$364	\$0
Navy	Guam NAVACTS	GU917002758300	34	2	\$53,415	\$2,505	\$30,226	\$102
Navy	Guam NSRF	GU917002758500	3	9	\$10,816	\$2,631	\$23,418	\$0
Navy	Key West NAS	FL417002295200	29	5	\$36,889	\$2,076	\$39,161	\$0
Navy	Long Beach NS San Pedro	CA917002755400	3	5	\$3,095	\$3,562	\$7,230	\$0
Navy	Memphis NAS	TN417002260000	45	39	\$11,995	\$12,709	\$22,729	\$1,393
Navy	San Diego NTC	CA917002320200	3	7	\$1,583	\$35,639	\$1,473	\$5,708
Navy	Willow Grove NAS	PA317002231200	9	5	\$7,777	\$4,388	\$0	\$17,475
Air Force	Grissom Air Force Base	INS57212447200	27	18	\$14,312	\$14,689	\$9,671	\$2,362
Air Force	Homestead Air Force Base	FL457212403700	27	17	\$3,454	\$30,951	\$43,689	\$1,509
Air Force	March Air Force Base	CA957212452700	25	28	\$23,715	\$136,022	\$22,648	\$15,536
Air Force	NAS Fort Worth, JRB Carswell Field	TX657002404200	58	12	\$27,024	\$24,347	\$20	\$225
Air Force	Rome Research Lab	NY257002445100	1	81	\$0	\$152,649	\$267	\$19,989

All DoD summary tables in this appendix include historical Defense Threat Reduction Agency (DTRA) cost data, but do not include DTRA site counts. DTRA is not shown separately in this appendix because it no longer has any DERP sites. There may be differences between the information in these tables and the information in other parts of this report. Such discrepancies can be attributed to the way project costs were captured in the past. For example, costs for interim

actions and designs were often combined with the costs for actual cleanup. However, costs for projects that covered multiple installations such as preliminary assessments (PAs) may not have been allocated to each installation where the PAs took place. Additionally, the tables in this appendix only contain cleanup costs. Program management and support costs are not managed at the site level.

Figure E-6 Phase I Joint Bases

Joint Base Name	Joint Base FFID(s)	Receiving DoD Component and Installation	Transferring DoD Component(s) and Installation(s)
Joint Base Andrews-Naval Air Facility Washington	MD357182400000	Andrews Air Force Base	Naval Air Facility Washington
Joint Base Little Creek-Story	VA317002248200	Naval Amphibious Base Little Creek	Fort Story (Army)
Joint Base McGuire-Dix-Lakehurst	NJ257182401800, NJ221042027500, and NJ217002727400	McGuire Air Force Base	Fort Dix (Army) and Naval Air Engineering Station Lakehurst
Joint Base Myer-Henderson Hall	VA321022062600	Fort Myer (Army)	Henderson Hall (Marine Corps)
Joint Region Marianas	GU917309951900	Navy Base Guam	Andersen Air Force Base

Figure E-7 Phase II Joint Bases

Joint Base Name	Receiving DoD Component and Installation	Transferring DoD Component(s) and Installation(s)
Joint Base Anacostia-Bolling	Anacostia Annex (Navy)	Bolling Air Force Base
Joint Base Charleston	Charleston Air Force Base	Naval Weapons Station Charleston
Joint Base Elmendorf-Richardson	Elmendorf Air Force Base	Fort Richardson (Army)
Joint Base Lackland-Sam Houston-Randolph	Lackland Air Force Base	Randolph Air Force Base and Fort Sam Houston (Army)
Joint Base Langley-Eustis	Langley Air Force Base	Fort Eustis (Army)
Joint Base Lewis-McChord	Fort Lewis (Army)	McChord Air Force Base
Joint Base Pearl Harbor-Hickam	Naval Station Pearl Harbor	Hickam Air Force Base and Hickam POL

One BRAC 2005 recommendation is for DoD to consolidate 26 installations with similar functions into 12 joint bases. Joint basing, which is designed to reduce duplication of efforts and generate cost savings, is occurring in two phases. Phase I was completed in FY10, and Phase II will be completed in FY11.

Each joint base combines two or three installations located next to or in close proximity to each other, but are aligned under different DoD Components. As each joint base is established, the DoD Component gaining responsibility (the Receiving DoD Component) assumes responsibility for operating the joint base. The DoD Component that transfers responsibility for an installation to the Receiving DoD Component is known as the Transferring DoD Component.

DoD has moved sites and funding from the Transferring DoD Component’s inventories and budgets to the Receiving DoD Component’s inventories and budgets for the Phase I joint bases, which are listed in Figure E-6. DoD also moved

funding from the Transferring DoD Component’s budgets to the Receiving DoD Component’s budgets for future cleanup activities for the Phase II joint bases, which are listed in Figure E-7. These transfers are reflected in the IRP/MMRP status tables in this appendix. The funding to date for the Phase I joint bases shown in Status Tables E-6 and E-7 also includes historic funding reported by the Transferring DoD Components through FY09.

Under BRAC 2005, the Navy transferred 47 ER sites at Concord Naval Weapons Station (NWS) to the Army at the beginning of FY09. DoD began reporting cleanup status and funding information for these transferred sites under Military Ocean Terminal Concord in its FY09 annual report and will continue to do so in all of its subsequent annual reports. Historic funding through FY09 remains with Concord NWS.