



ATF Guidebook -
Importation & Verification of Firearms,
Ammunition, and Implements of War

Firearms Verification

Firearms Verification Overview

Marking Requirements

Licensed Importer – 18 U.S.C. § 923(i) and 27 CFR § 478.92
26 U.S.C. § 5842 and 27 CFR § 479.102

1. SERIAL NUMBER

- Must be conspicuously engraved, cast or stamped (impressed) on the firearm frame or receiver
- The serial number cannot duplicate the serial number appearing on any other firearm the importer previously imported
- For firearms imported after January 30, 2002, the engraving, casting or stamping (impressing) of the serial number must be to a minimum depth of .003 inch and in a print size no smaller than 1/16 inch

2. NAME of MANUFACTURER

- Must be conspicuously engraved, cast or stamped (impressed) on the firearm frame, receiver, barrel or slide
- For firearms imported after January 30, 2002, the engraving, casting or stamping (impressing) of the serial number must be to a minimum depth of .003 inch

3. COUNTRY of ORIGIN

- Must be conspicuously engraved, cast or stamped (impressed) on the firearm frame, receiver, barrel or slide
- For firearms imported after January 30, 2002, the engraving, casting or stamping (impressing) of the country of origin must be to a minimum depth of .003 inch

4. MODEL DESIGNATION (If assigned)

- Must be conspicuously engraved, cast or stamped (impressed) on the firearm frame, receiver, barrel or slide
- For firearms imported after January 30, 2002, the engraving, casting or stamping (impressing) of the model designation must be to a minimum depth of .003 inch

5. CALIBER OR GAUGE

- Must be conspicuously engraved, cast or stamped (impressed) on the firearm frame, receiver, barrel or slide
- For firearms imported after January 30, 2002, the engraving, casting or stamping (impressing) of the caliber or gauge must be to a minimum depth of .003 inch

6. NAME of IMPORTER

- Must be conspicuously engraved, cast or stamped (impressed) on the firearm frame, receiver, barrel or slide

For firearms imported after January 30, 2002, the engraving, casting or stamping (impressing) of the importer's name must be to a minimum depth of .003 inch

7. CITY & STATE of the IMPORTER

- Must be conspicuously engraved, cast or stamped (impressed) on the firearm frame, receiver, barrel or slide
- For firearms imported after January 30, 2002, the engraving, casting or stamping (impressing) of the importer's city and state must be to a minimum depth of .003 inch

NOTE: The importer must ensure that these marks of identification appear on each firearm. If the manufacturer did not mark them, the importer must place the required markings on the firearm **within 15 days** after their release from Customs and Border Protection custody. The Director, Bureau of Alcohol, Tobacco, Firearms and Explosives may authorize other means of firearms identification upon receipt of a letter application from the importer, submitted in duplicate, showing that such other means of identification is reasonable and will not hinder the effective administration of the regulations.

Identification of Firearms

MARKING REQUIREMENTS – FIREARMS (27 CFR 478.92)

Sec. 478.92 How must licensed manufacturers and licensed importers identify firearms, armor piercing ammunition?

(a)(1) Firearms. You, as a licensed manufacturer or licensed importer of firearms, must legibly identify each firearm manufactured or imported as follows:

(i) By engraving, casting, stamping (impressing), or otherwise conspicuously placing or causing to be engraved, cast, stamped (impressed) or placed on the frame or receiver thereof an individual serial number. The serial number must be placed in a manner not susceptible of being readily obliterated, altered, or removed, and must not duplicate any serial number placed by you on any other firearm. For firearms manufactured or imported on and after January 30, 2002, the engraving, casting, or stamping (impressing) of the serial number must be to a minimum depth of .003 inch and in a print size no smaller than 1/16 inch; and

(ii) By engraving, casting, stamping (impressing), or otherwise conspicuously placing or causing to be engraved, cast, stamped (impressed) or placed on the frame, receiver, or barrel thereof certain additional information. This information must be placed in a manner not susceptible of being readily obliterated, altered, or removed. For firearms manufactured or imported on and after January 30, 2002, the engraving, casting, or stamping (impressing) of this information must be to a minimum depth of .003 inch. The additional information includes:

(A) The model, if such designation has been made;

(B) The caliber or gauge;

(C) Your name (or recognized abbreviation) and also, when applicable, the

name of the foreign manufacturer;

(D) In the case of a domestically made firearm, the city and State

(or recognized abbreviation thereof) where you as the manufacturer maintain your place of business; and

(E) In the case of an imported firearm, the name of the country in which it

was manufactured and the city and State (or recognized abbreviation thereof) where you as the importer maintain your place of business. For additional requirements relating to imported firearms, see Customs regulations at 19 CFR part 134.

(2) Firearm frames or receivers. A firearm frame or receiver that is not a component part of a complete weapon at the time it is sold, shipped, or otherwise disposed of by you must be identified as required by this section.

(3) Special markings for semiautomatic assault weapons, effective July 5, 1995. In

the case of any semiautomatic assault weapon manufactured after September 13, 1994, you must mark the frame or receiver "**RESTRICTED LAW ENFORCEMENT/GOVERNMENT USE ONLY**" or, in the case of weapons manufactured for export, "**FOR EXPORT ONLY**," in a manner not susceptible of being readily obliterated, altered, or removed. For weapons manufactured or imported on and after January 30, 2002, the engraving, casting, or stamping (impressing) of the special markings prescribed in this paragraph (a)(3) must be to a minimum depth of .003 inch.

NOTE: SECTION 478.92(a)(3) REPEALED ON SEPTEMBER 13, 2004

(4) Exceptions:

(i) Alternate means of identification. The Director may authorize other means of identification upon receipt of a letter application from you, submitted in duplicate, showing that such other identification is reasonable and will not hinder the effective administration of this part.

(ii) Destructive devices. In the case of a destructive device, the Director may authorize other means of identifying that weapon upon receipt of a letter application from you, submitted in duplicate, showing that engraving, casting, or stamping (impressing) such a weapon would be dangerous or impracticable.

(iii) Machine guns, silencers, and parts. Any part defined as a machine gun, firearm muffler, or firearm silencer in Sec. 478.11, that is not a component part of a complete weapon at the time it is sold, shipped, or otherwise disposed of by you, must be identified as required by this section. The Director may authorize other means of identification of parts defined as machine guns other than frames or receivers and parts defined as mufflers or

silencers upon receipt of a letter application from you, submitted in duplicate, showing that such other identification is reasonable and will not hinder the effective administration of this part.

(5) Measurement of height and depth of markings. The depth of all markings required by this section will be measured from the flat surface of the metal and not the peaks or ridges. The height of serial numbers required by paragraph (a)(1)(i) of this section will be measured as the distance between the latitudinal ends of the character impression bottoms (bases).

(b) Armor piercing ammunition.

(1) Marking of ammunition. Each licensed manufacturer or licensed importer of armor piercing ammunition shall identify such ammunition by means of painting, staining or dyeing the exterior of the projectile with an opaque black coloring. This coloring must completely cover the point of the projectile and at least 50 percent of that portion of the projectile which is visible when the projectile is loaded into a cartridge case.

(2) Labeling of packages. Each licensed manufacturer or licensed importer of armor piercing ammunition shall clearly and conspicuously label each package in which armor piercing ammunition is contained, e.g., each box, carton, case, or other container. The label shall include the words "ARMOR PIERCING" in block letter at least 1/4 inch in height. The lettering shall be located on the exterior surface of the package which contains information concerning the caliber or gauge of the ammunition. There shall also be placed on the same surface of the package in block lettering at least 1/8 inch in height the words "FOR GOVERNMENTAL ENTITIES OR EXPORTATION ONLY." The statements required by this subparagraph shall be on a contrasting background.

(c) Large capacity ammunition feeding devices manufactured after September 13, 1994.

(1) Each person who manufactures or imports any large capacity ammunition feeding device manufactured after September 13, 1994, shall legibly identify each such device with a serial number. Such person may use the same serial number for all large capacity ammunition feeding devices produced.

(i) Additionally, in the case of a domestically made large capacity ammunition feeding device, such device shall be marked with the name, city and State (or recognized abbreviation thereof) of the manufacturer;

(ii) And in the case of an imported large capacity ammunition feeding device, such device shall be marked:

(A) With the name of the manufacturer, country of origin, and,
(B) Effective July 5, 1995, the name, city and State (or recognized abbreviation thereof) of the importer.

(iii) Further, large capacity ammunition feeding devices manufactured after September 13, 1994, shall be marked "**RESTRICTED LAW ENFORCEMENT/GOVERNMENT USE ONLY**" or, in the case of devices manufactured or imported for export, effective July 5, 1995, "**FOR EXPORT ONLY.**"

(2) All markings required by this paragraph (c) shall be cast, stamped, or engraved on the exterior of the device. In the case of a magazine, the markings shall be placed on the magazine body.

(3) Exceptions -

(i) **Metallic links.** Persons who manufacture or import metallic links for use in the assembly of belted ammunition are only required to place the identification marks prescribed in paragraph (c)(1) on this section on the containers used for the packaging of the links

(ii) **Alternate means of identification.** The Director may authorize other means of identifying large capacity ammunition feeding devices upon receipt of a letter application, in duplicate, from the manufacturer or importer showing that such other identification is reasonable and will not hinder the effective administration of this part

NOTE: SECTION 478.92(c) REPEALED ON SEPTEMBER 13, 2004

MARKING REQUIREMENTS – NFA FIREARMS (27 CFR § 479.102)

Section 479.102 How must firearms be identified?

(a) You, as a manufacturer, importer, or maker of a firearm, must legibly identify the firearm as follows:

(1) By engraving, casting, stamping (impressing), or otherwise conspicuously placing or causing to be engraved, cast, stamped (impressed) or placed on the frame or receiver thereof an individual serial number. The serial number must be placed in a manner not susceptible of being readily obliterated, altered, or removed, and must not duplicate any serial number placed by you on any other firearm. For firearms manufactured, imported, or made on and after January 30, 2002, the engraving, casting, or stamping (impressing) of the serial number must be to a minimum depth of .003 inch and in a print size no smaller than 1/16 inch; and

(2) By engraving, casting, stamping (impressing), or otherwise conspicuously placing or causing to be engraved, cast, stamped (impressed), or placed on the frame, receiver, or barrel thereof certain additional information. This information must be placed in a manner not susceptible of being readily obliterated, altered or removed. For firearms manufactured, imported, or made on and after January 30, 2002, the engraving, casting, or stamping (impressing) of this information must be to a minimum depth of .003 inch. The additional information includes:

- (i) The model, if such designation has been made;
- (ii) The caliber or gauge;
- (iii) Your name (or recognized abbreviation) and also, when applicable, the same of the foreign manufacturer or maker;
- (iv) In the case of a domestically made firearm, the city and State (or recognized abbreviation thereof) where you as the manufacturer maintain your place of business, or where you, as the maker, made the firearm; and
- (v) In the case of an imported firearm, the name of the country in which it was manufactured and the city and State (or recognized abbreviation thereof) where you as the importer maintain your place of business. For additional requirements relating to imported firearms, see Customs regulations at 19 CFR part 134.

(b) The depth of all markings required by this section will be measured from the flat surface of the metal and not the peaks or ridges. The height of serial numbers required by paragraph (a) (1) of this section will be measured as the distance between the latitudinal ends of the character impression bottoms (bases).

(c) The Director may authorize other means of identification upon receipt of a letter application from you, submitted in duplicate, showing that such other identification is reasonable and will not hinder the effective administration of this part.

(d) In the case of a destructive device, the Director may authorize other means of identifying that weapon upon receipt of a letter application from you, submitted in duplicate, showing that engraving, casting, or stamping (impressing) such a weapon would be dangerous or impracticable.

(e) A firearm frame or receiver that is not a component part of a complete weapon at the time it is sold, shipped, or otherwise disposed of by you must be identified as required by this section.

(f)(1) Any part defined as a machine gun, muffler, or silencer for the purposes of this part that is not a component part of a complete firearm at the time it is sold, shipped, or otherwise disposed of by you must be identified as required by this section.

(2) The Director may authorize other means of identification of parts defined as machine guns other than frames or receivers and parts defined as mufflers or silencers upon receipt of a letter application from you, submitted in duplicate, showing that such other identification is reasonable and will not hinder the effective administration of this part.

ATF Rulings

ATF Ruling 2002-6

The Bureau of Alcohol, Tobacco and Firearms (ATF) has been asked by State and local law enforcement officials to trace firearms that are marked, in part, with non-Roman letters and/or non-Arabic numbers. Specifically, ATF received a request to trace a Makarov type pistol made in Bulgaria. The original manufacturer marking was IM 18 355. Because the importer did not stamp the firearm with a unique identifier that could be recognized by either ATF or a State or

local law enforcement official, and because the marking contained a Cyrillic character, the firearm was not properly recorded, resulting in a failed trace of the weapon.

Because markings with non-Roman characters or non-Arabic are not easily recorded or transmitted through means by importers, dealers, or distributors, many firearm traces have proved unsuccessful. In some cases, an importer attempts to translate portions of the markings into Roman letters and Arabic numbers and re-marks the weapon with the serial number ДМ7639И. The importer translated the marking as LM7639i but rather than restamp the entire number merely added the letters “L” and “i” below the original markings. This practice often results in failed traces because those required to record the markings (importers, dealers, or distributors) may record only the translated portions or both sets of markings. Moreover, law enforcement recovering a firearm with such markings may submit a trace request lacking some portion of the markings, further impeding efforts to successfully trace the firearm.

In addition, ATF has found that some traces have failed because the required markings on the firearms barrel were wholly partially obstructed from plain view by a flash suppressor or bayonet mount, resulting in the Federal Firearms Licensee creating an inaccurate record. ATF has been unable to trace hundreds of firearms as a result of nonstandard or obscured markings.

As a result of these practices, some licensed importers may not be in compliance with the marking requirements set forth in **27 CFR 178.92*** and **27 CFR 179.102*** because they have marked using non-Roman letters (such as Greek or Russian letters, Δ or Д) or non-Arabic numbers (e.g., XXV).

The above regulations require markings that legibly identify each item or package and require that such markings be conspicuous. ATF has consistently taken the position that “legibly” marked means using exclusively Roman letters, (A, a, B, b, C, c, and so forth) and “conspicuous” means that all required markings must be placed in such a manner as to be wholly unobstructed from plain view. These regulations apply to licensed manufacturers and licensed importers relative to firearms, armor piercing ammunition, and large capacity ammunition feeding devices, and to makers of National Firearms Act firearms.

Firearms, armor piercing ammunition and large capacity ammunition feeding devices which contain required markings or labels using non-Roman letters (such as Greek or Russian letters, Δ or Д) or non-Arabic letter (e.g., XXV), must be completely remarked or relabeled with a new serial number or other required markings that satisfy the legibility requirements described above. It is not sufficient to simply add an additional Roman letter or Arabic numeral to a nonconforming marking; a new and unique marking using Roman letters and Arabic numerals is required. When feasible, the new markings should be placed directly above the non-compliant markings.

Similarly, firearms and large capacity ammunition feeding devices which contain required markings obstructed in whole or in part from plain view must be remarked with required markings that satisfy the conspicuousness requirements described above. For example, required markings may not be placed on a portion of the barrel where the markings would be wholly or partially obstructed from view by another part of the firearm, such as a flash suppressor or bayonet mount.

In certain unavoidable circumstances owing mainly to firearms of unusual design or other limiting factor(s) which would limit the ability of the manufacturer or importer to comply with the above legibility and conspicuousness requirements, alternate means of identification may be authorized as described in **27 CFR 178.92(a)(3)(i), (ii), or (iii)*** and **27 CFR 178.92(c)(3)(iii)***.

Held, a Makarov type pistol imported from Bulgaria utilizing Cyrillic letters or non-Arabic numbers is not marked in accordance with **27 CFR 178.92*** and **27 CFR 179.102***.

Held further, an imported firearm with any part of the required marking partially or wholly obstructed from plain view is not marked in accordance with section **27 CFR 178.92*** and **27 CFR 179.102***.

Date signed: November 5, 2002

* New provisions are under Parts 478 and 479, not 178 and 179.

Firearms Verification - Marking Requirements

ATF Ruling 75-28

The Bureau has determined that in some cases, the serial number placed on a firearm by a foreign manufacturer is adequate to provide the identification number by **27 CFR § 178.928***. See also **27 CFR § 178.22(a)***.

Held, where a serial number has been placed on the frame or receiver of a firearm by a foreign manufacturer in the manner contemplated by **27 CFR § 178.92***, and such serial number does not duplicate a number previously adopted or assigned by the import to any other firearm, the importer may adopt the serial number of the foreign manufacturer.

Provided, the importer shall in all cases place his name and address (city and state or recognized abbreviation thereof), and any other marks necessary to comply with the identification requirements of **27 CFR § 178.92***, on such imported firearms.

* New provisions are under Parts 478 and 479, not 178 and 179.

Firearms Verification - Marking Requirements

Industry Circular

Industry Circular 77-20

DUPLICATION OF SERIAL NUMBERS BY LICENSED IMPORTERS

ATF has noted cases where some licensed importers have adopted the same serial number for more than one firearm. These instances of duplication have generally occurred when firearms are received from more than one source.

Title 27 CFR § 178.92* requires that the serial number affixed to a firearm must not duplicate the number affixed to any other firearm that you import into the United States. Those of you who import destructive devices are under the same requirement due to the inclusion of destructive devices in the definition of firearm as used in **27 CFR § 178.11***. **ATF Ruling 75-28** also reminds you of the other identifying marks required by **27 CFR § 178.92***. In addition to a unique serial number, each firearm must be marked to show the model (if any); the caliber or gauge; the name of the manufacturer and importer, or recognizable abbreviations; the country of manufacture; and the city and State (or recognized abbreviations) in which your licensed premises are located.

NOTE: All cited references to regulation and statutes in the foregoing ATF rulings and industry circular use identifiers and section indicators in effect at the time the rulings and industry circular were approved. On January 24, 2003, ATF was part of a reorganization of government which placed it under the Department of Justice (DOJ). This transition resulted in certain changes within the numbering system and identification of ATF's regulations now issued and referenced under the authority of DOJ.

* New provision us under Part 478, not 178.

 [ATF Internet](#)

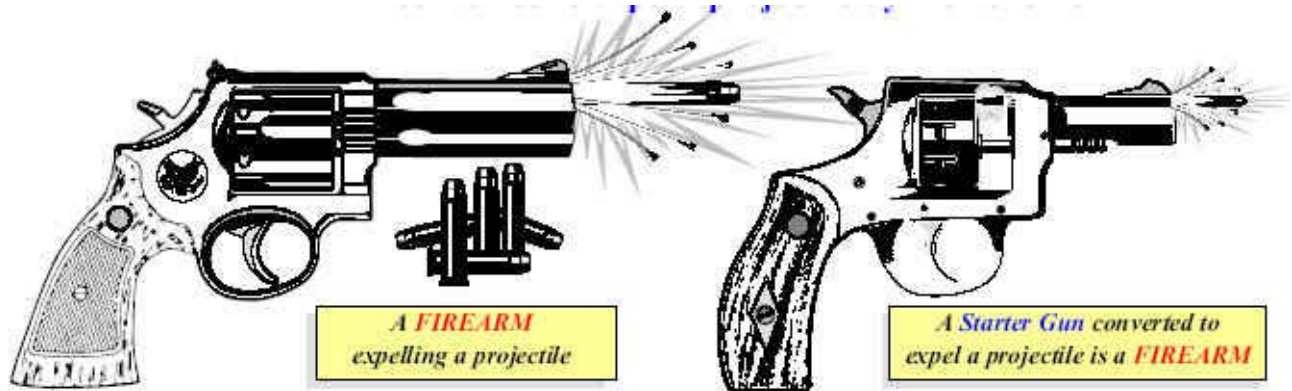
Firearm

18 U.S.C., § 921(a)(3)

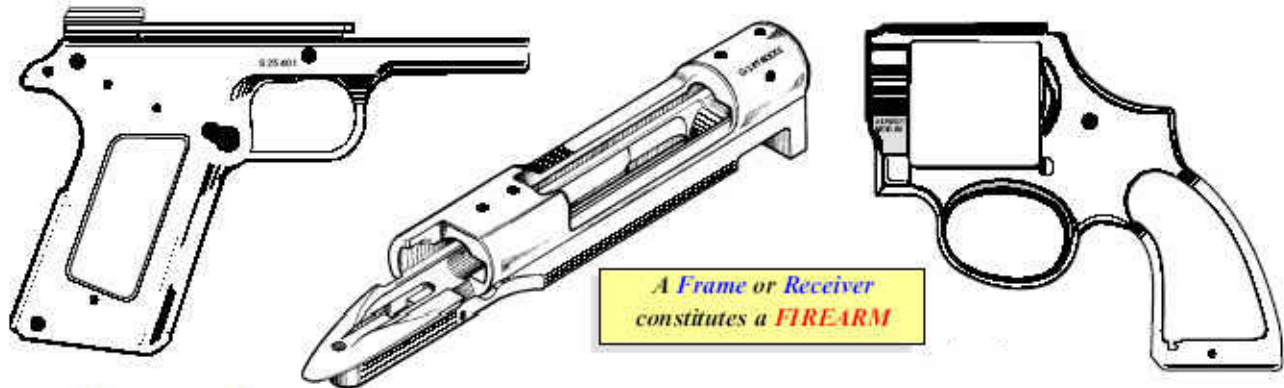
NOTE: This section is intended to provide basic guidance in understanding firearm terminology. Please bear in mind that these illustrations do not necessarily depict importable firearms.

The term "FIREARM" means:

- A. Any weapon (including a starter gun) which will or is designed to or may readily be converted to expel a projectile by the action of an explosive;



- B. The frame or receiver of any such weapon;



- C. Any firearm muffler or firearm silencer; or



- D. Any destructive device.

Firearm Frame or Receiver

That part of a firearm which provides housing for the hammer, bolt or breechblock, and firing mechanism, and which is usually threaded at its forward portion to receive the barrel. **27 CFR § 478.11.**

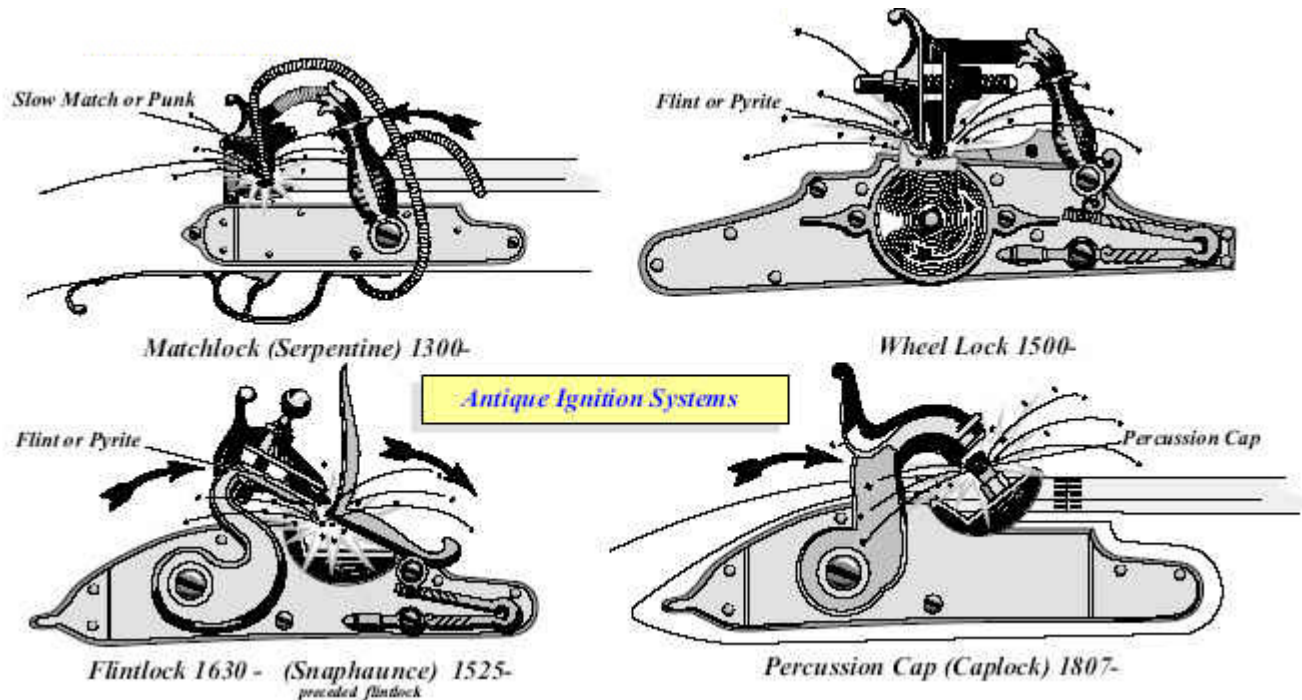
 [ATF Internet](#)

Antique Firearm

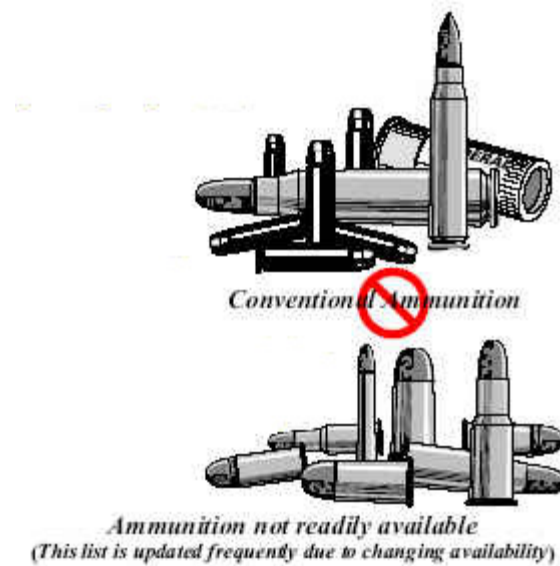
18 U.S.C. § 921(a)(16)

The term "ANTIQUE FIREARM" means:

- A. Any firearm (including any firearm with a matchlock, flintlock, percussion cap, or similar type of ignition system) manufactured in or before 1898; and



- B. Any replica of any firearm described in subparagraph (A) if such replica
- i. is not designed or redesigned for using rimfire or conventional centerfire fixed ammunition, or
 - ii. uses rimfire or conventional centerfire fixed ammunition which is no longer manufactured in the United States and which is not readily available in the ordinary channels of commercial trade.



- C. Any muzzle loading rifle, muzzle loading shotgun, or muzzle loading pistol, which is designed to use black powder, or black powder substitute, and which cannot use fixed ammunition. For purposes of this subparagraph, the term antique firearm shall not include any weapon which includes a firearm frame or receiver, any firearm which is converted into a muzzle loading weapon, or any muzzle loading weapon which can be readily converted to fire fixed ammunition by replacing the barrel, bolt, breechblock or any combination thereof.

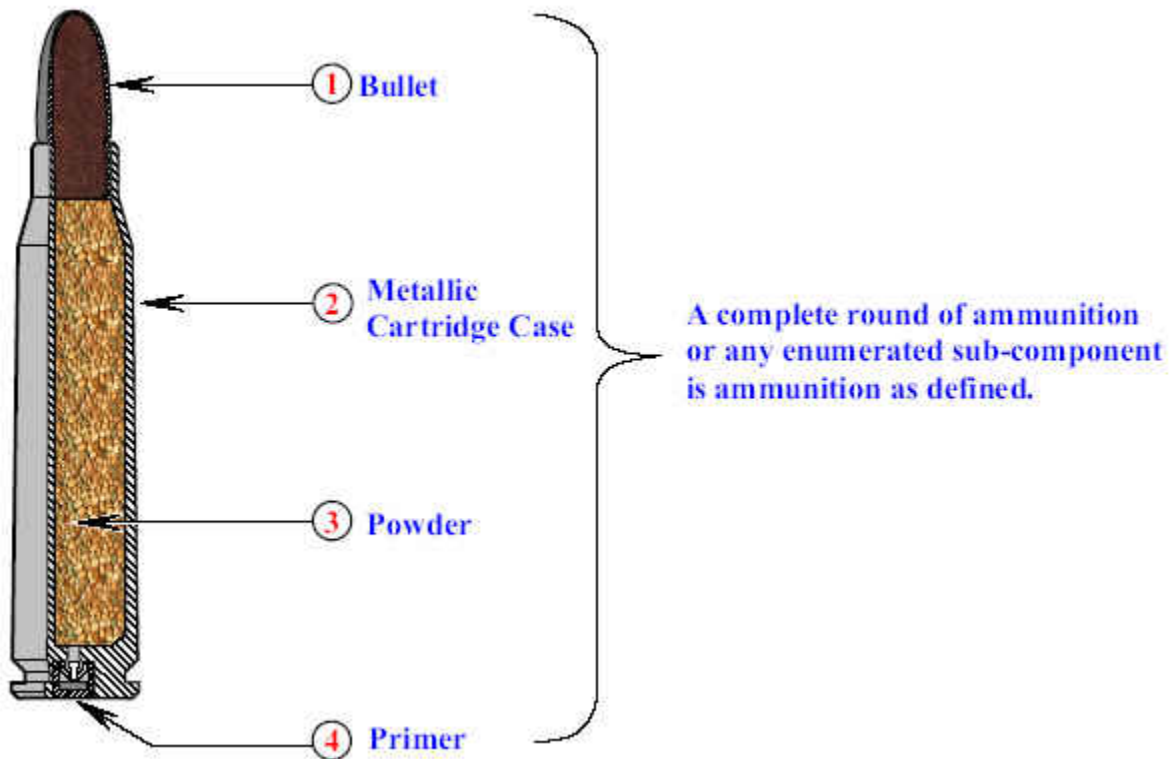


Ammunition

18 U.S.C. § 921(a)(17)(A)

The term "AMMUNITION" means ammunition or cartridge cases, primers, bullets, or propellant powder designed for use in any firearm.

The term shall not include (a) any shotgun shot or pellet not designed for use as the single, complete projectile load for one shotgun hull or casing, nor (b) any unloaded, non-metallic shotgun hull or casing not having a primer. **27 CFR § 478.11**



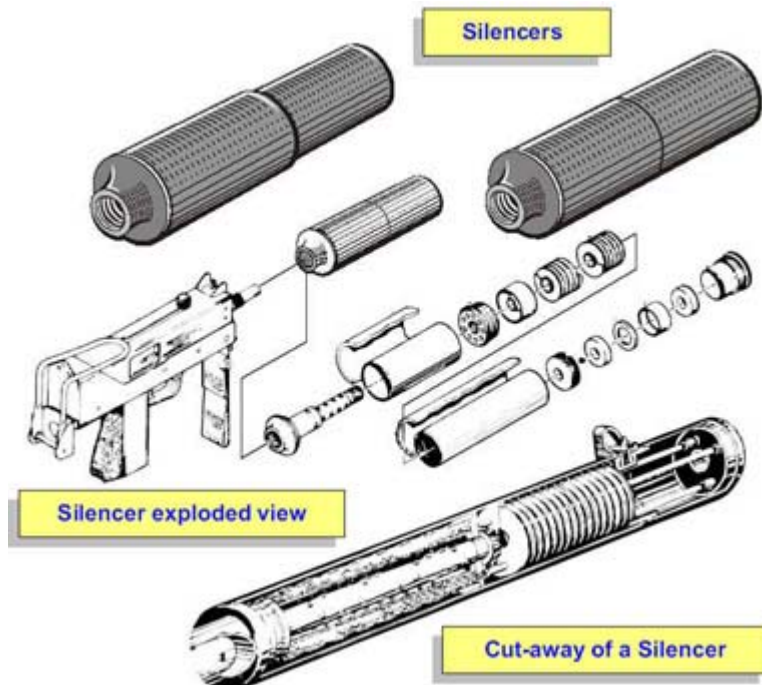
Armor piercing ammunition – 18 U.S.C., § 921(a)(17)(B)

- A projectile or projectile core which may be used in a handgun and which is constructed entirely (excluding the presence of traces of other substances) from one or a combination of tungsten alloys, steel, iron, brass, bronze, beryllium copper, or depleted uranium; or
- A full jacketed projectile larger than .22 caliber designed and intended for use in a handgun and whose jacket has a weight of more than 25 percent of the total weight of the projectile.

The term "**armor piercing ammunition**" does not include shotgun shot required by Federal or State environmental or game regulations for hunting purposes, a frangible projectile designed for target shooting, a projectile which the Attorney General finds is primarily intended to be used for sporting purposes, or any other projectile or projectile core which the Attorney General finds is intended to be used for industrial purposes, including a charge used in an oil and gas well perforating device.

Silencer

18 U.S.C. § 921(a)(24)



The term "FIREARM SILENCER " or "FIREARM MUFFLER" means any device for silencing, muffling, or diminishing the report of a portable firearm, including any combination of parts, designed or redesigned, and intended for the use in assembling or fabricating a firearm silencer or firearm muffler, any part intended only for use in such assembly or fabrication.

NOTE: Any device that meets the definition as stipulated above in 18 U.S.C. § 921(a) (24) is also subject to controls of the National Firearms Act 26 U.S.C., Chapter 53.

 [ATF Internet](#)

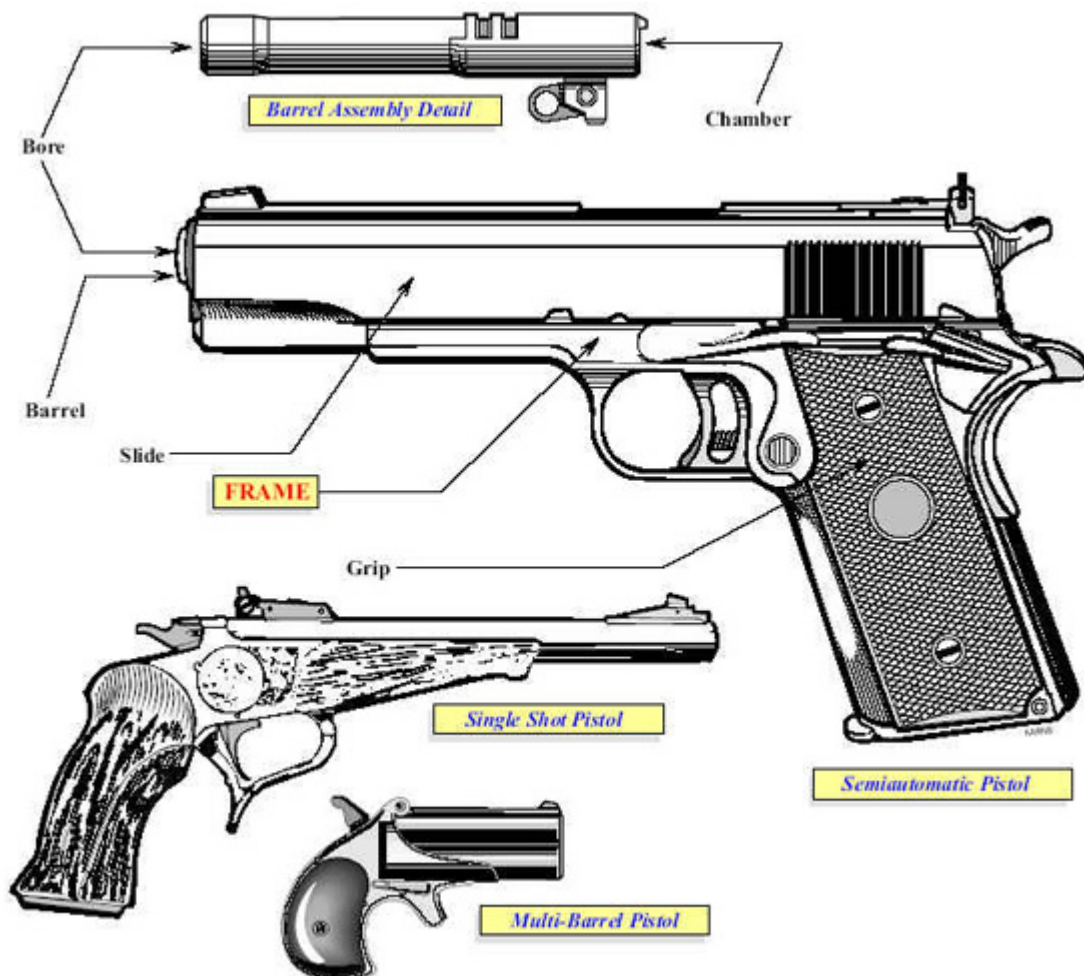
Pistol

18 U.S.C. § 921 (a)(29) And 27 CFR § 478.11

The term "PISTOL" means a weapon originally designed, made, and intended to fire a projectile (bullet) from one or more barrels when held in one hand, and having:

- a chamber(s) as an integral part(s) of, or permanently aligned with, the bore(s);
- and a short stock designed to be gripped by one hand at an angle to and extending below the line of the bore(s).

NOTE: This illustration shows the primary characteristics exhibited in the pistol category. Since pistol configurations differ significantly, various models in this classification may exhibit any of the illustrated components in a revised configuration, but not necessarily all components shown will be incorporated in any given design.

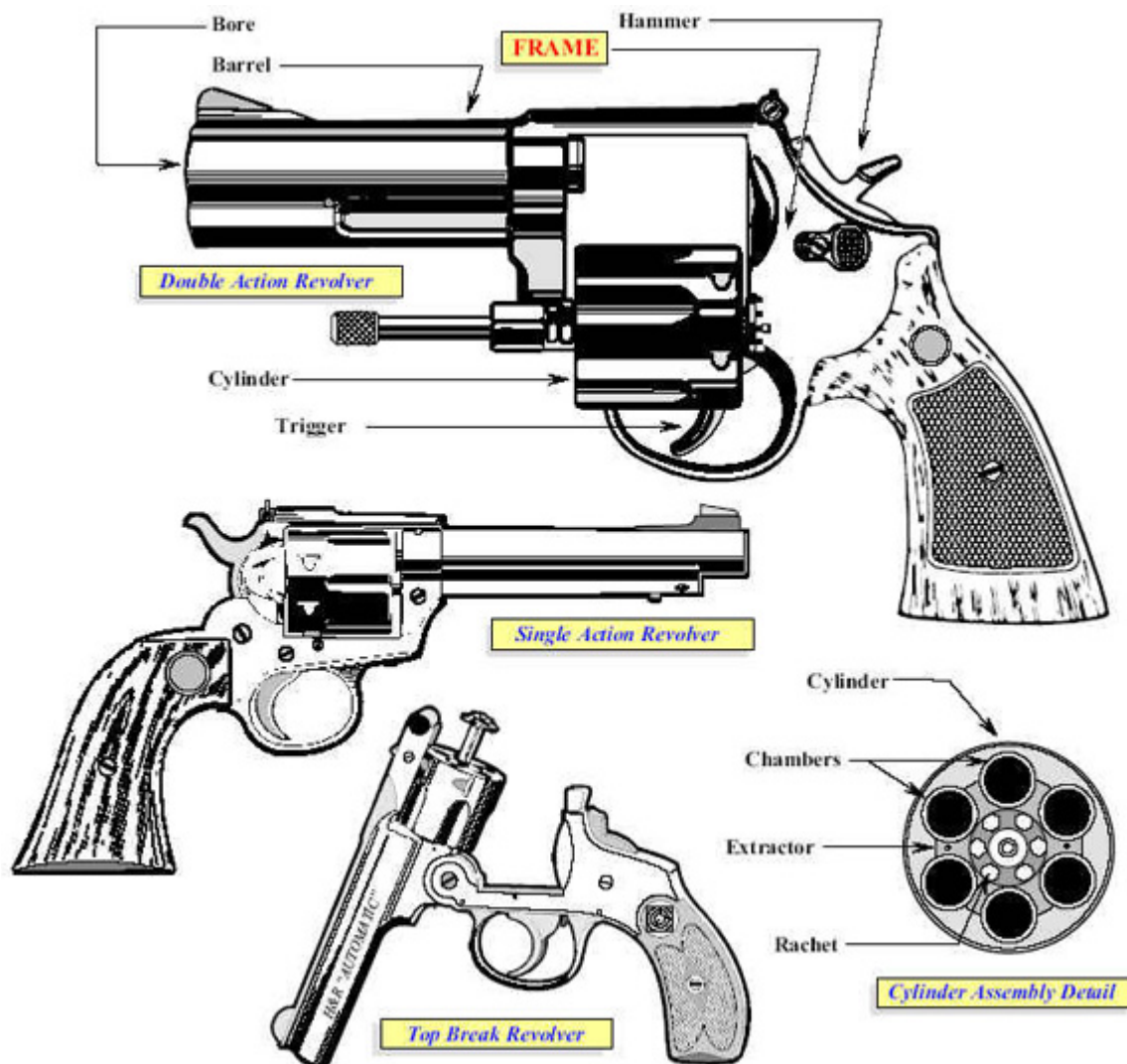


Revolver

18 U.S.C. § 921 (a)(29) And 27 CFR § 478.11

The term "REVOLVER" means a projectile weapon of the pistol type, having a breechloading chambered cylinder so arranged that the cocking of the hammer or movement of the trigger rotates it and brings the next cartridge in line with the barrel for firing.

NOTE: This illustration shows the primary characteristics exhibited in the revolver category. Since revolver configurations differ significantly, various models in this classification may exhibit any of the illustrated components in a revised configuration but not necessarily all components shown will be incorporated in any one given design.

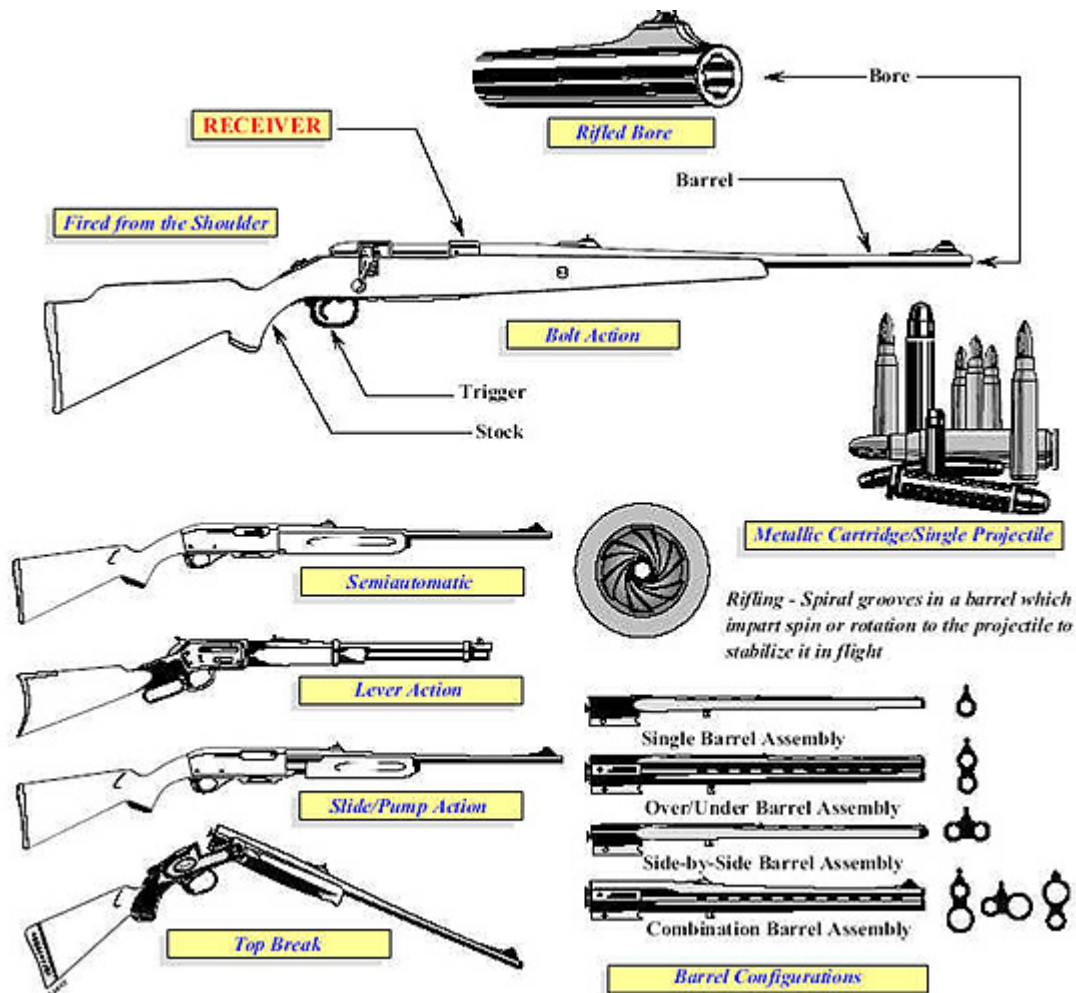


Rifle

18 U.S.C. § 921 (a)(7) And 27 CFR § 478.11

The term "RIFLE" means a weapon designed or redesigned, made or remade, and intended to be fired from the shoulder and designed or redesigned and made or remade to use the energy of the explosive in a fixed metallic cartridge to fire only a single projectile through a rifled bore for each single pull of the trigger.

NOTE: This illustration shows the primary characteristics exhibited in the rifle category. Since rifle configurations differ significantly, various models in this classification may exhibit any of the illustrated components in a revised configuration but not necessarily all components shown will be incorporated in any one given design.

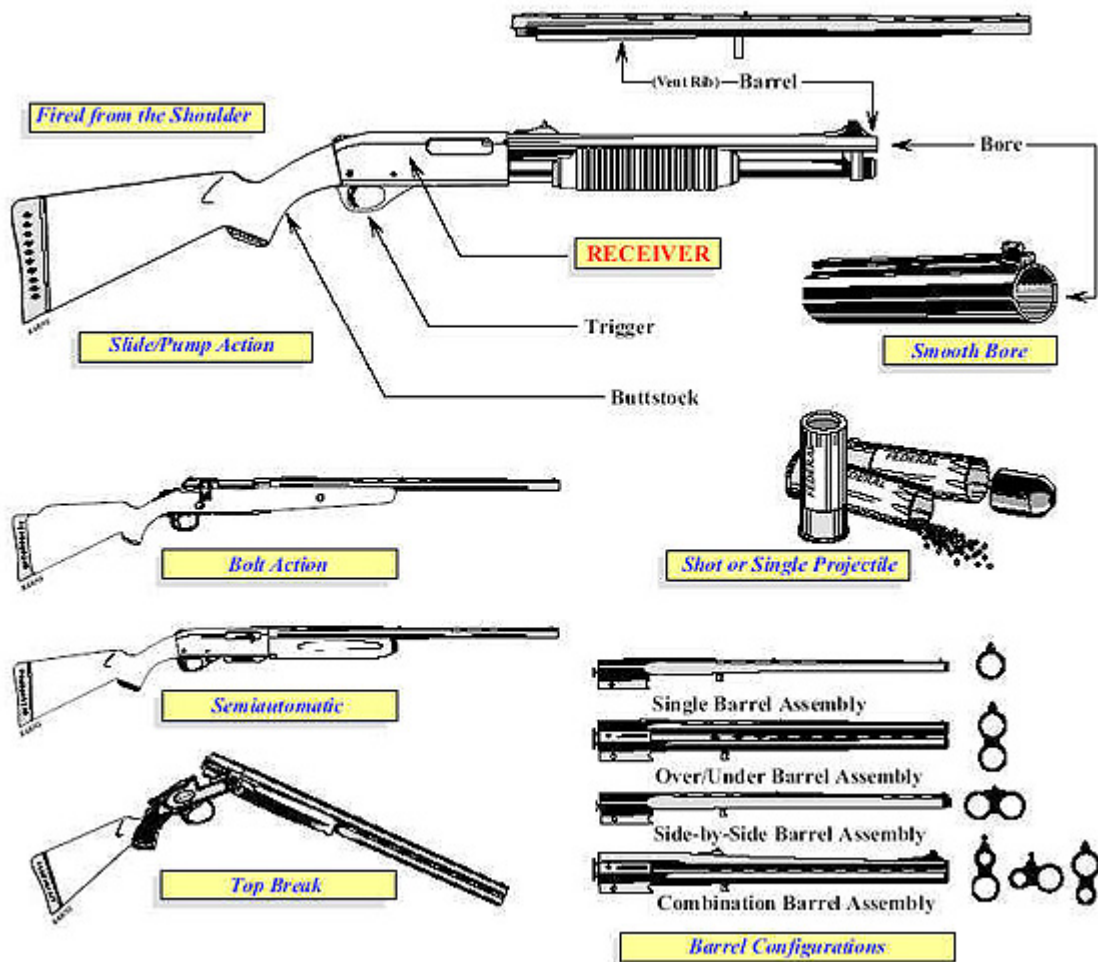


Shotgun

18 U.S.C. § 921 (a)(5) And 27 CFR § 478.11

The term "SHOTGUN" means a weapon designed or redesigned, made or remade, and intended to be fired from the shoulder, and designed or redesigned and made or remade to use the energy of the explosive in a fixed shotgun shell to fire through a smooth bore either a number of ball shot or a single projectile for each single pull of the trigger.

NOTE: This illustration shows the primary characteristics exhibited in the shotgun category. Since shotgun configurations differ significantly, various models in this classification may exhibit any of the illustrated components in a revised configuration but not necessarily all components shown will be incorporated in any one given design.

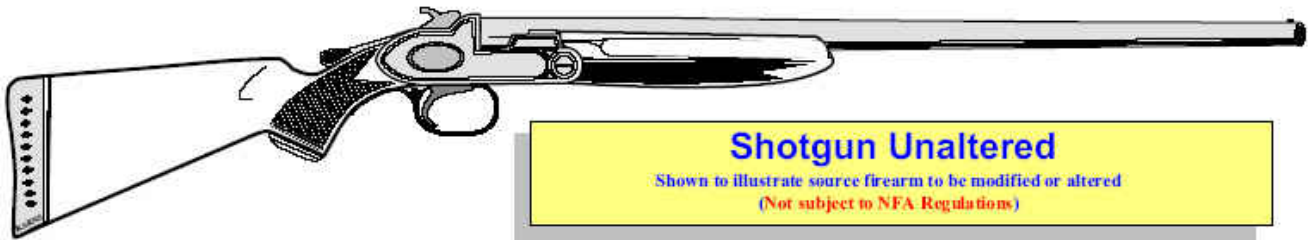


Firearm

26 U.S.C. Chapter 53

For the purposes of the National Firearms Act, the following definitions are used to define and verify the different types of firearms:

§ 5845(d) – The term "SHOTGUN" means a weapon designed or redesigned, made or remade, and intended to be fired from the shoulder, and designed or redesigned and made or remade to use the energy of the explosive in a fixed shotgun shell to fire through a smooth bore either a number of ball shot or a single projectile for each single pull of the trigger.



§ 5845(a)(1) – The term "FIREARM" means a shotgun having a barrel or barrels of less than 18 inches in length;



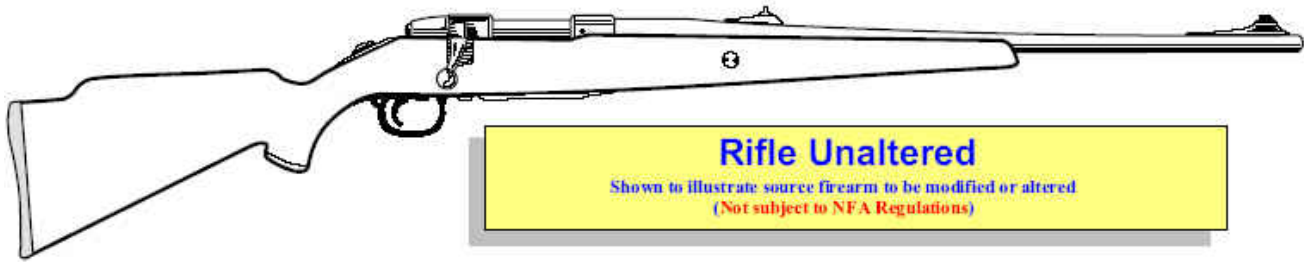
§ 5845(a)(2) – The term "FIREARM" means a weapon made from a shotgun if such weapon as modified has an overall length of less than 26 inches or a barrel or barrels of less than 18 inches in length;



Rifle– 26 U.S.C., § 5485(a)

For the purposes of the National Firearms Act, the following definitions are used to define and verify the different types of firearms:

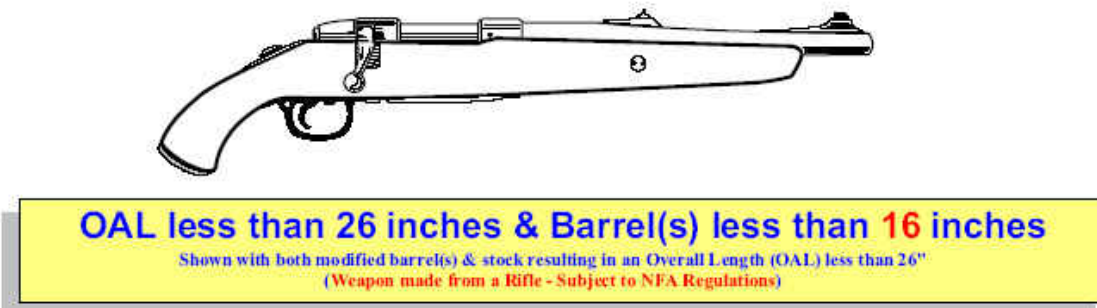
§ 5845(c) – The term "RIFLE" means a weapon designed or redesigned, made or remade, and intended to be fired from the shoulder, and designed or redesigned and made or remade to use the energy of the explosive in a fixed metallic cartridge to fire only a single projectile through a rifled bore for each single pull of the trigger.



§ 5845(a)(3) – The term "FIREARM" means a rifle having a barrel or barrels of less than 16 inches in length;

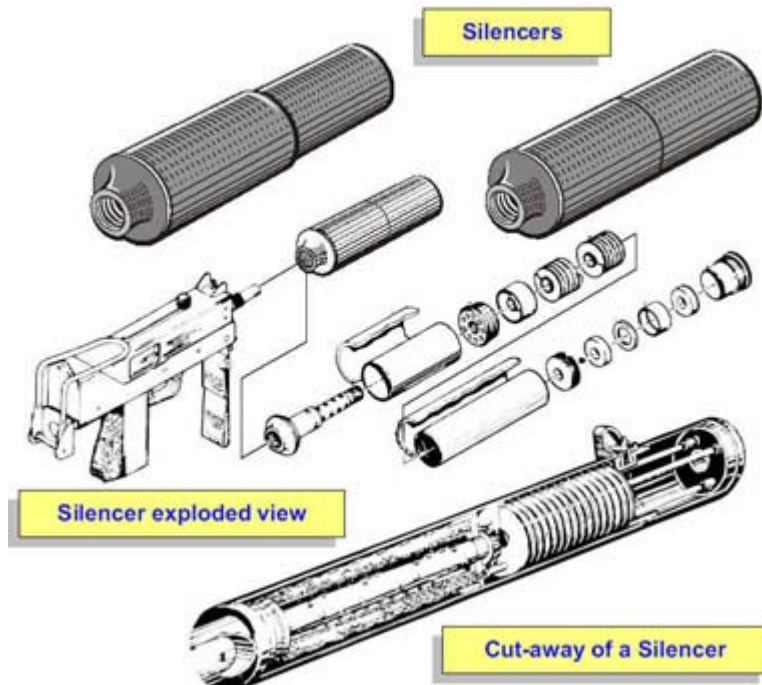


§ 5845(a)(4) – The term "FIREARM" means a weapon made from a rifle if such weapon as modified has an overall length of less than 26 inches or a barrel or barrels of less than 16 inches in length;



Silencer

26 U.S.C. § 5845(a)(7)



For the purposes of the National Firearms Act the term Silencer is defined in 18 U.S.C. § 921(a)(24)

The term "FIREARM SILENCER " or "FIREARM MUFFLER" means any device for silencing, muffling, or diminishing the report of a portable firearm, including any combination of parts, designed or redesigned, and intended for the use in assembling or fabricating a firearm silencer or firearm muffler, any part intended only for use in such assembly or fabrication.

NOTE: Any device that meets the definition as stipulated above in 18 U.S.C. § 921(a)(24) is also subject to controls as defined in the National Firearms Act, 26 U.S.C., Chapter 53.

Machinegun

26 U.S.C. § 5845(b)



For the purposes of the National Firearms Act the term

Machinegun means:

- Any weapon which shoots, is designed to shoot, or can be readily restored to shoot, automatically more than one shot without manual reloading, by a single function of the trigger
- The frame or receiver of any such weapon
- Any part designed and intended solely and exclusively or combination of parts designed and intended for use in converting a weapon into a machinegun, or
- Any combination of parts from which a machinegun can be assembled if such parts are in the possession or under the control of a person.

NOTE: Due to the similarity in appearance and general configuration of semiautomatic firearms, a comprehensive examination of the firearm and/or its component parts is required to correctly determine its classification.

Any Other Weapon

26 U.S.C. § 5845(e)

For the purposes of the National Firearms Act, the term "ANY OTHER WEAPON " means:

- Any weapon or device capable of being concealed on the person from which a shot can be discharged through the energy of an explosive;
- A pistol or revolver having a barrel with a smooth bore designed or redesigned to fire a fixed shotgun shell;
- Weapons with combination shotgun and rifle barrels 12 inches or more, less than 18 inches in length, from which only a single discharge can be made from either barrel without manual reloading; and
- Any such weapon which may be readily restored to fire.

Such term shall not include a pistol or a revolver having a rifled bore, or rifled bores, or weapons designed, made, or intended to be fired from the shoulder and not capable of firing fixed ammunition.

Examples of "ANY OTHER WEAPON" include:

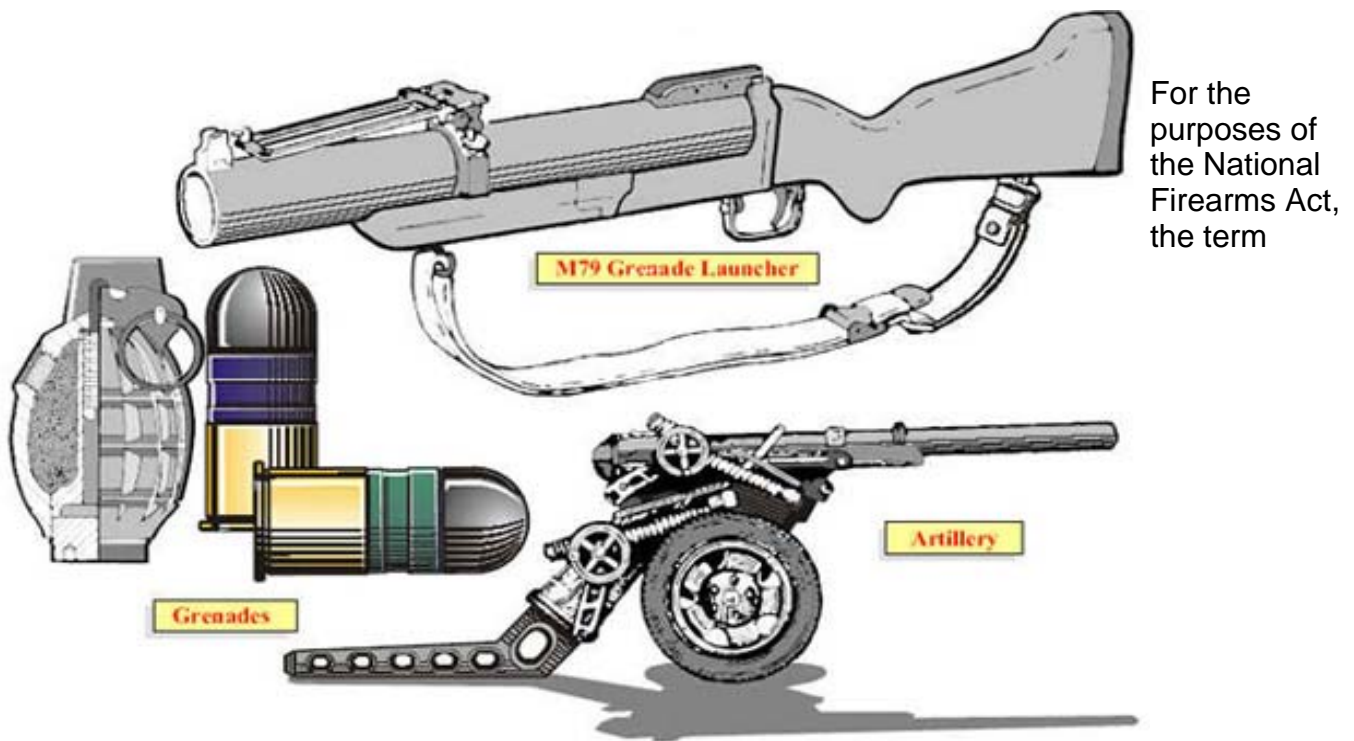


Examples of "ANY OTHER WEAPON" include:



Destructive Device

26 U.S.C. § 5845(f)



For the purposes of the National Firearms Act, the term

"DESTRUCTIVE DEVICE" means:

- A missile having an explosive or incendiary charge of more than 1/4 oz.
- Any type of weapon by whatever name known which will, or which may readily be converted to expel a projectile, by the action of an explosive or other propellant, the barrel or barrels of which have a bore greater than one-half inch in diameter.
- A combination of parts designed and intended for use in converting a device into a destructive device and from which a destructive device can be readily assembled.

Exemptions:

- A shotgun or shotgun shell which is determined by the Attorney General to be generally recognized as particularly suitable for sporting purposes.
- a device which is neither designed nor redesigned for use as a weapon,
- a device which is designed or redesigned for use as a signaling, pyrotechnic, line-throwing, safety, or similar device,
- surplus ordnance sold, loaded, or given by the Secretary of the Army pursuant to law such as antique, obsolete bronze or iron cannon,
- a device which the Attorney General determines is not likely to be used as a weapon.
- An antique firearm, or
- a rifle which the owner intended to use solely for sporting purposes.

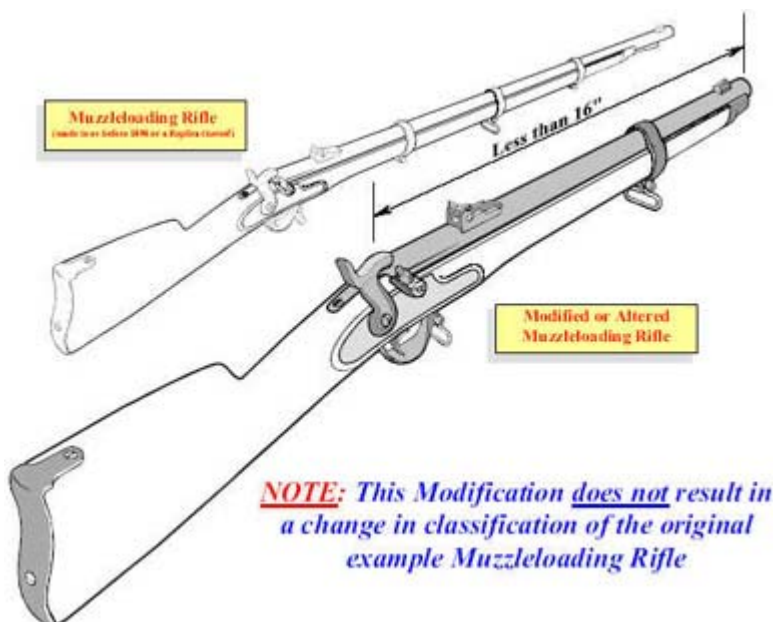
 [ATF Internet](#)

Antique Firearm

26 U.S.C. § 5845(g)

For the purposes of the National Firearms Act, the term "ANTIQUÉ FIREARM" means any firearm not intended or redesigned for using rim fire or conventional center fire ignition with fixed ammunition and manufactured in or before 1898 (including any matchlock, flintlock, percussion cap or similar type of ignition system or replica thereof, whether actually manufactured before or after the year 1898) and also any firearm using fixed ammunition manufactured in or before 1898, for which ammunition is no longer manufactured in the United States and is not readily available in the ordinary channels of commercial trade.

Examples of "ANTIQUÉ WEAPONS" include:

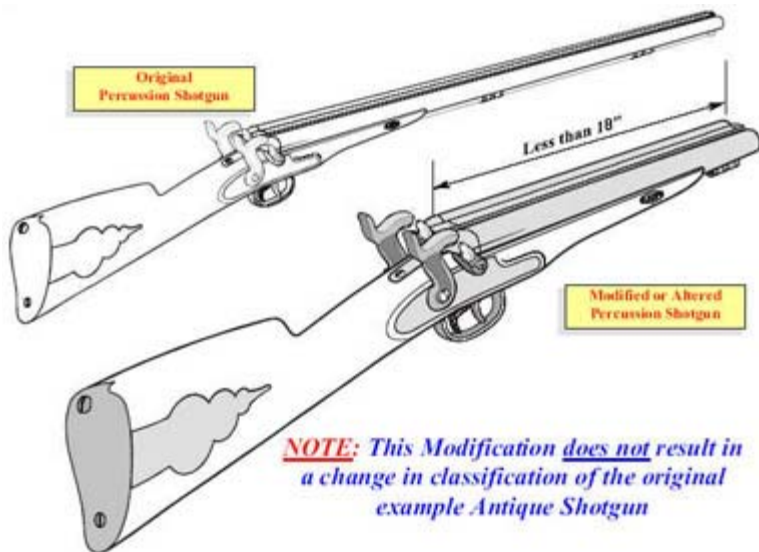


1. Muzzleloading Rifle (made in or before 1898 or a Replica thereof)

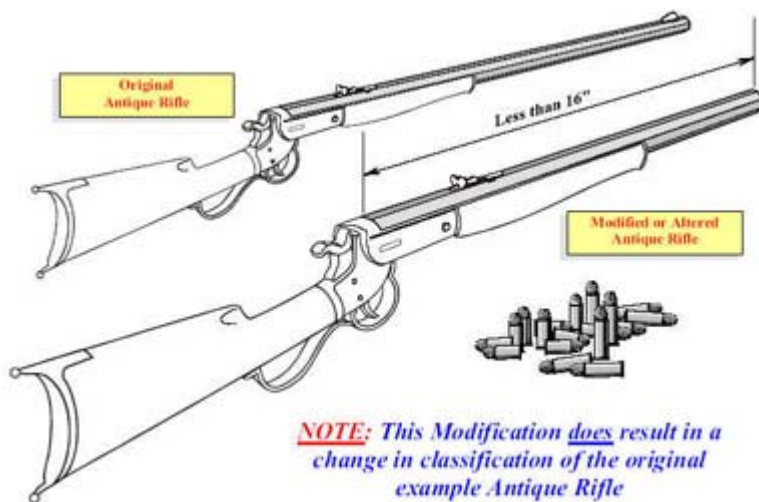
- **Determinants for Classification:** Even though this weapon may exhibit a barrel shorter than 16 inches and/or an overall length less than 26 inches, it is not subject to NFA regulations governing those dimensions because it employs a primitive ignition system identified as an exempting characteristic.

2. Original Percussion Shotgun

- **Determinants for Classification:** Even though this weapon may exhibit a barrel shorter than 18 inches and/or an overall length less than 26 inches, it is not



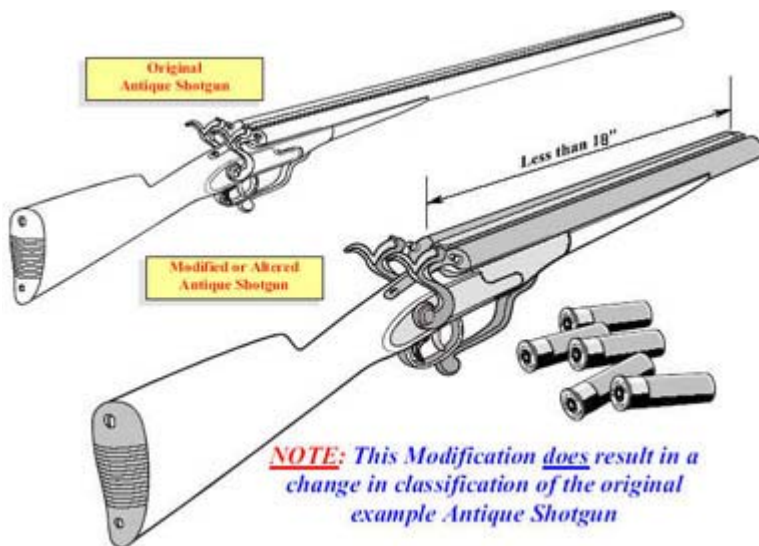
subject to NFA regulations governing those dimensions because it employs a primitive ignition system identified as an exempting characteristic.



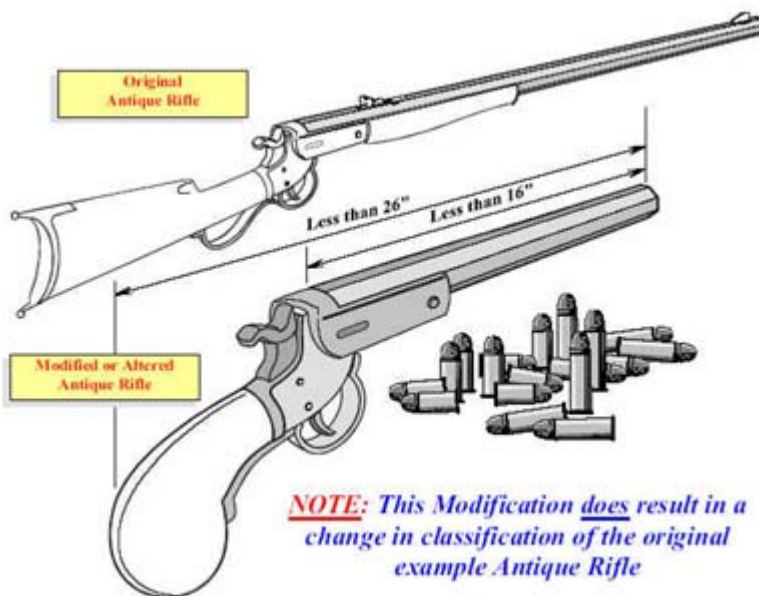
3. Original Antique Rifle

- **Determinants for Classification:** Even though this weapon may exhibit a barrel shorter than 16 inches, it is subject to NFA regulations governing those dimensions because it employs a conventional ignition system and uses fixed ammunition that is readily available through ordinary channels of commercial trade. Consequently, this weapon would be classified as a "Short-barreled Shotgun" and therefore all NFA regulations apply.

4. Original Antique Shotgun



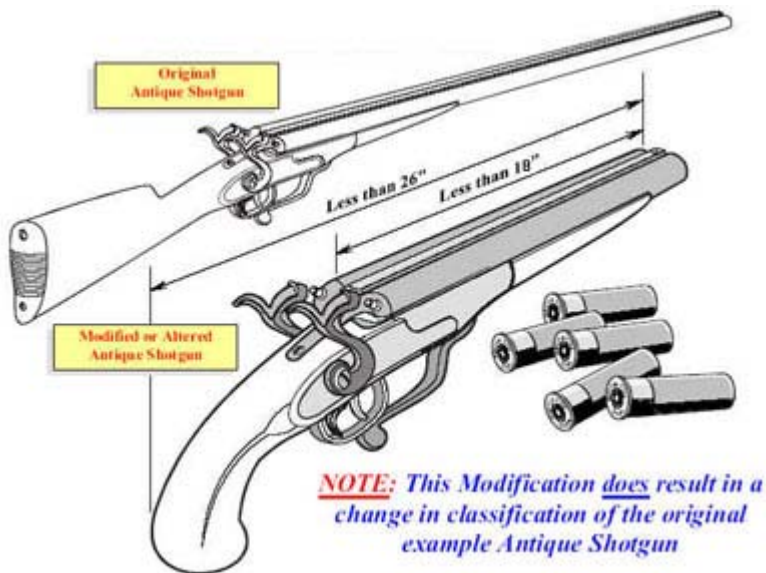
- **Determinants for Classification:** Even though this weapon may exhibit a barrel shorter than 18 inches, it is subject to NFA regulations governing minimum dimensions because it employs a conventional ignition system and uses fixed ammunition that is readily available through ordinary channels of commercial trade. Consequently, this weapon would be classified as a "short-barreled Shotgun" and therefore all NFA regulations.



5. Original Antique Rifle

- **Determinants for Classification:** Even though this weapon may exhibit a barrel shorter than 16 inches and is less than 16 inches in overall length, it is subject to NFA regulations governing those dimensions because it employs a conventional ignition system and uses fixed ammunition that is readily available through ordinary channels of commercial trade. Consequently, this weapon would be

classified as a "Weapon made from a Rifle" and therefore all NFA regulations apply.



6. Original Antique Shotgun

- **Determinants for Classification:** Even though this weapon may exhibit a barrel shorter than 18 inches and is less than 16 inches in overall length, it is subject to NFA regulations governing those dimensions because it employs a conventional ignition system and uses fixed ammunition that is readily available through ordinary channels of commercial trade. Consequently, this weapon would be classified as a "Weapon made from a Rifle" and therefore all NFA regulations apply.