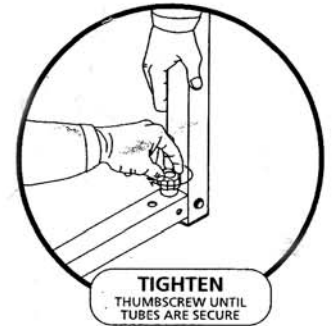
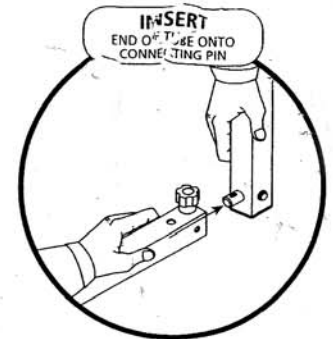
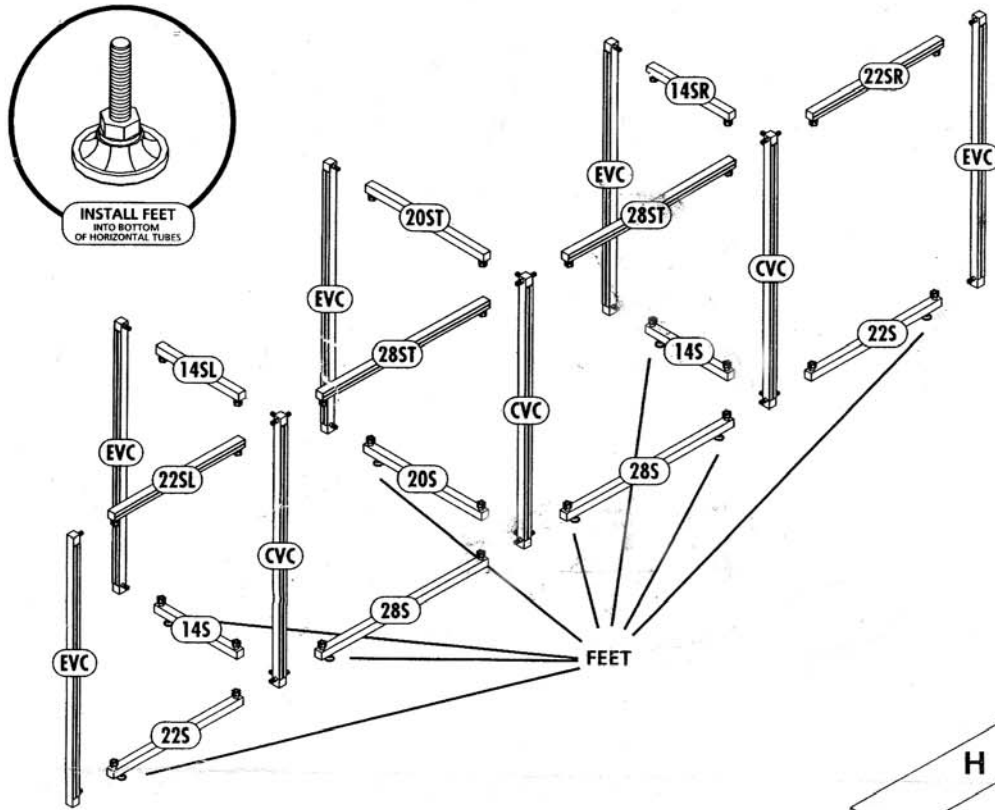
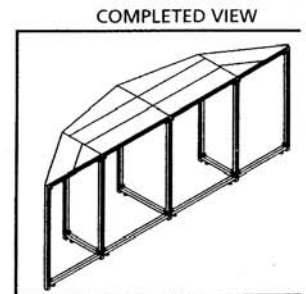
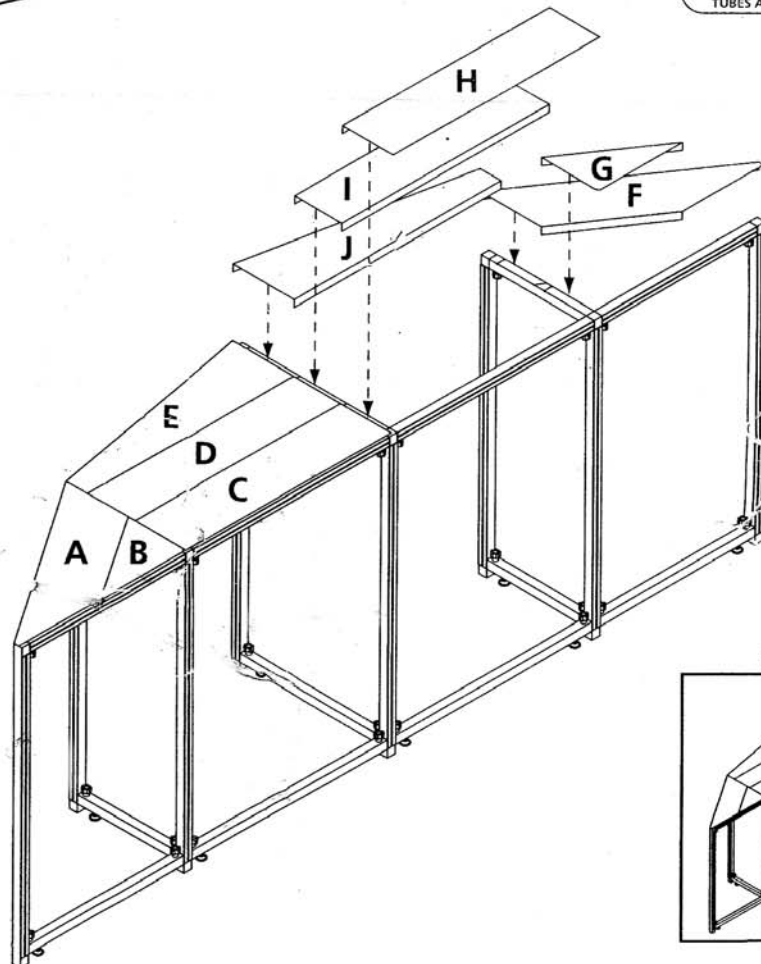


STEP 1: Screw feet into threaded inserts in bottom of lower horizontal tubes where shown.

STEP 2: Attach horizontal tubes to vertical tubes as shown in assembly illustration.



FRAME IDENTIFICATION		
ITEM	DESCRIPTION	QTY.
EVC	End Vertical tube	5
CVC	Center Vertical tube	3
22S	22" Horizontal tube	2
22SL	22" Horiz. upper tube Left	1
22SR	22" Horiz. upper tube Right	1
28S	28" Horiz. upper tube	2
28ST	28" Horiz. upper tube Top	2
14S	14" Horizontal tube	2
14SL	14" Horizontal tube Left	1
14SR	14" Horizontal tube Right	1
20S	20" Horizontal tube	1
20ST	20" Horizontal tube Top	1
4926	Feet	8



STEP 3: Install the shelves in alphabetical order as shown.