

SITE ELECTRICAL PLAN

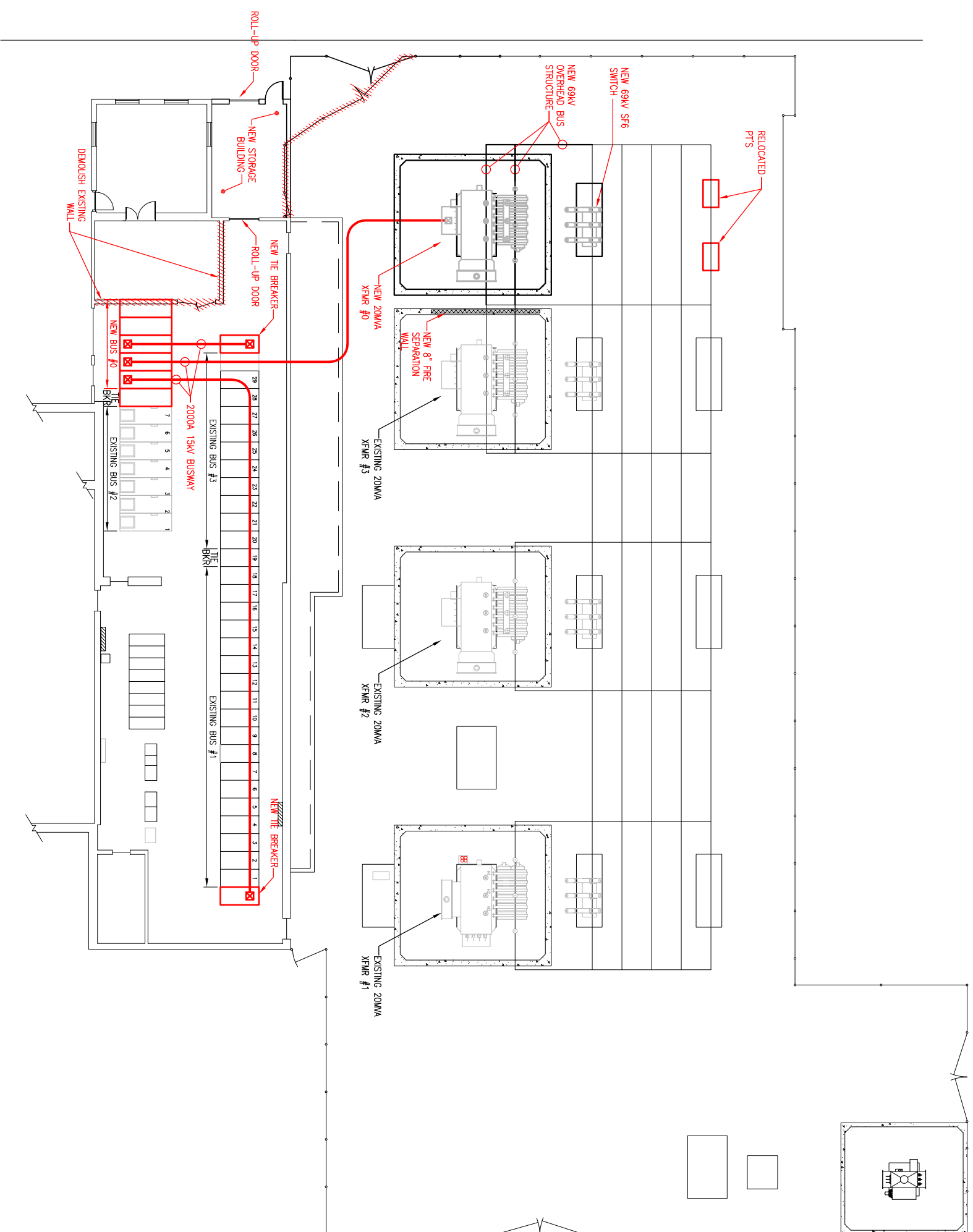
Final Conventional Facilities
Conceptual Design Report

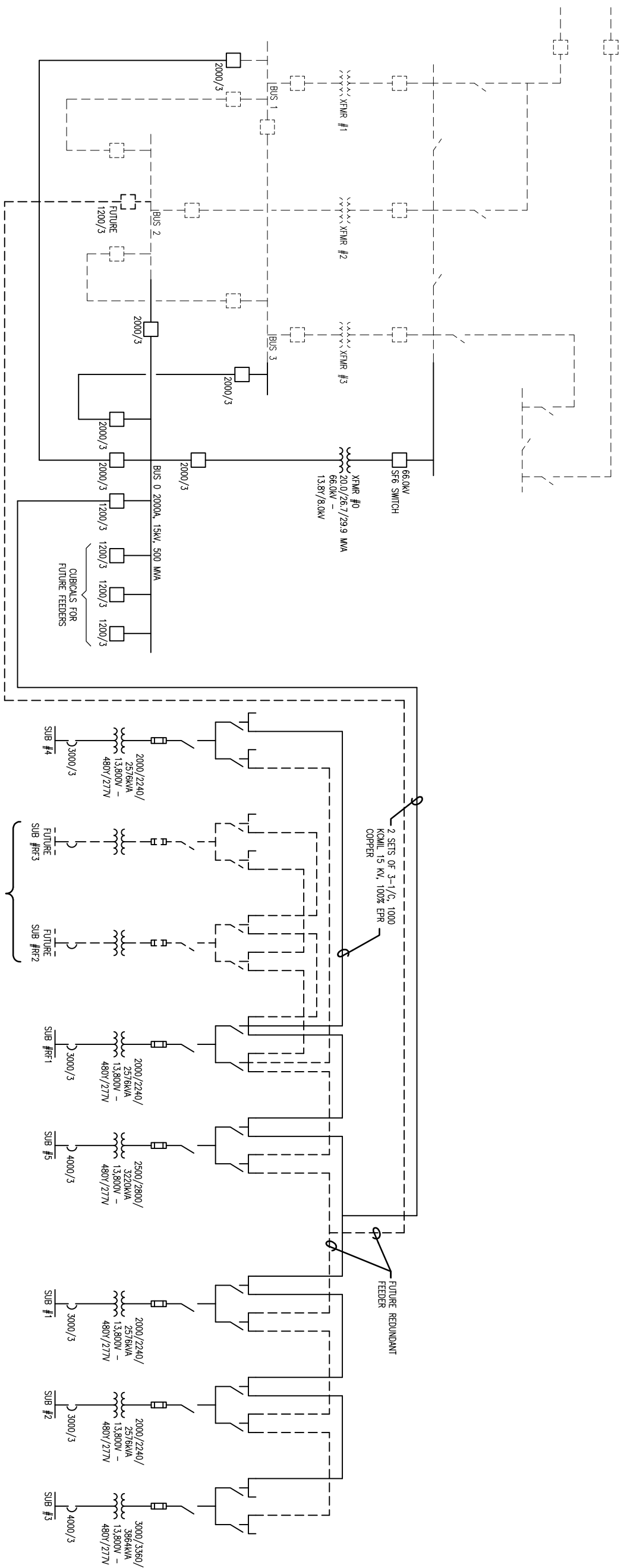


HDR Architecture, Inc.
November 15, 2006



CORNELL AVENUE





EXISTING CAMPUS SUBSTATION BLDG 603 UPGRADE ONE-LINE DIAGRAM

NSLS 2 SITE DISTRIBUTION ONE-LINE DIAGRAM

