



U.S. Department  
of Transportation

Federal Aviation  
Administration

# Advisory Circular

---

**Subject:** Specification for Airport Light Bases, Transformer Housings, Junction Boxes, and Accessories      **Date:** DRAFT      **AC No:** AC 150/5345-42G  
**Initiated by:** AAS-100      **Change:**

---

**1. Purpose.** This advisory circular (AC) contains the specifications for airport light bases, transformer housings, junction boxes, and accessories. This AC is not intended to be a compilation of currently available product designs. This AC provides the basic standard requirements for critical dimensions and performance requirements to which all manufacturers must demonstrate compliance.

**2. Effective date.** Effective six months after the issue date of this AC, only equipment qualified per the specifications herein will be listed in AC 150/5345-53, Airport Lighting Equipment Certification Program.

**3. Cancellation.** AC 150/5345-42F, Specification for Airport Light Bases, Transformer Housings, Junction Boxes, and Accessories, dated October 17, 2006, is canceled.

**4. Application.** The specifications contained in this AC are recommended by the Federal Aviation Administration (FAA) in all applications involving development of this nature. For airport projects receiving Federal funds under the airport grant assistance program, the use of these standards is mandatory.

**5. Principal changes:**

**a.** Section 2, Applicable Documents: all download websites are updated. Document titles updated.

**b.** Paragraph 3.1.3.6 is updated to include a prohibition of exothermic welds on galvanized steel light bases.

**c.** The use of coated steel fasteners (SAE Grade 2 or ASTM A307-A) per Engineering Brief (EB) 83, In-Pavement Light Fixture Bolts is introduced where applicable in this AC.

**d.** Paragraph 4.3.10 is updated to replace the AC 150/5345-42F torque test for L-868 light bases with the 150/5345-42C version.

e. Figure 2, Body, Type L-867, Class IA, Class IB, Class IIA, Class IIB, is updated to show that the AAA dimension for the bottom diameter has increased from 13.000 inches to 13.500 inches for easier weld fabrication.

f. Figure 6, Body, Type L-868, Class IA, Class IB is updated to show a 1/2-inch increase in the maximum AAA dimension for the bottom diameter for easier weld fabrication.

g. Figure 8, Extensions, Type L-868, Class IA, Class IB is updated to show an increase in the extension height to order from 2.0 in. to 2.25 in. Spacer ring maximum thickness is changed from 1-15/16 inches to 2-3/16 inches.

h. Figure 9, Exterior Plywood Cover, AAA dimension is changed for correct fit.

**6. Metric units.** To promote an orderly transition to metric units, this AC includes both English and metric dimensions. The metric conversions may not be exact equivalents, and until there is an official changeover to the metric system, the English dimensions will govern.

**7. Comments or suggestions** for improvements to this AC should be sent to:

Manager, Airport Engineering Division  
Federal Aviation Administration  
ATTN: AAS-100  
800 Independence Avenue, S.W.  
Washington, DC 20591

**8. Copies of this AC.** The Office of Airport Safety and Standards is in the process of making ACs available to the public through the Internet. Find these ACs online at [http://www.faa.gov/regulations\\_policies/advisory\\_circulars/](http://www.faa.gov/regulations_policies/advisory_circulars/).

**Michael J. O'Donnell**  
Director of Airport Safety and Standards

## TABLE OF CONTENTS

<b>Section 1. Scope</b> .....	<b>1</b>
1.1 Type.....	1
1.2 Class.....	1
1.3 Size.....	2
<b>Section 2. Applicable Documents</b> .....	<b>3</b>
2.1 FAA Advisory Circular (AC) and Engineering Brief (EB).....	3
2.2 Military Standard and Specification. ....	3
2.2.1 Military Standard. ....	3
2.2.2 Military Specification. ....	3
2.3 American Society for Testing and Materials (ASTM) Specifications, Test Methods, Standard Practices, and Recommended Practices.....	3
2.4 American Society of Mechanical Engineers (ASME).....	4
2.5 American Society for Quality Control (ASQC).....	4
2.6 Miscellaneous Documents. ....	4
<b>Section 3. Requirements</b> .....	<b>5</b>
3.1 General Description and Intended Use. ....	5
3.1.1 Type L-867 Bases. ....	5
3.1.2 Type L-868 Bases. ....	5
3.1.3 General Accessories.....	5
3.2 Fabrication and Materials. ....	8
3.2.1 Type L-867, Class IA and Class IB Bases and Extensions.....	8
3.2.2 Type L-867, Class IIA and Class IIB Bases and Extensions.....	9
3.2.3 Type L-867 Accessories. ....	10
3.2.4 Type L-868, Class IA and Class IB Bases and Extensions.....	10
3.2.5 Type L-868 Accessories. ....	12
3.2.6 Grounding Lugs. ....	12
3.2.7 Drains. ....	12
3.2.8 Protective Coating.....	13
<b>Section 4. Quality Assurance Provisions</b> .....	<b>15</b>
4.1 Type L-867, Class IA and Class IB Certification Testing.....	15
4.1.1 Type L-867, Class IA and Class IB Load Test. ....	15
4.1.2 Type L-867, Class IA and Class IB Weld Integrity Test.....	16
4.1.3 Type L-867, Class IA and Class IB Dimensional Tests. ....	16
4.1.4 Type L-867, Class IA and Class IB Protective Coating Thickness Test. ....	16
4.1.5 Type L-867, Class IA and Class IB Visual Inspection.....	16
4.1.6 Type L-867, Class IB Potassium Acetate Test. ....	16
4.2 Type L-867, Class IIA and Class IIB Certification Testing. ....	16
4.2.1 Type L-867, Class IIA and Class IIB Load Test. ....	17
4.2.2 Type L-867, Class IIA and Class IIB Weld Integrity Test.....	17
4.2.3 Type L-867, Class IIA and Class IIB Temperature Shock Test. ....	17
4.2.4 Type L-867, Class IIA and Class IIB Dimensional Tests.....	17
4.2.5 Type L-867, Class IIA and Class IIB Protective Coating Thickness Test.....	17

4.2.6 Type L-867, Class IIA and Class IIB Visual Inspection .....	17
4.2.7 Type L-867, Class IIB Potassium Acetate Test .....	17
4.3 Type L-868, Class IA and Class IB Certification Testing .....	17
4.3.1 Type L-868, Class IA and Class IB Load Test .....	17
4.3.2 Type L-868, Class IA and Class IB Fatigue Test .....	18
4.3.3 Type L-868, Class IA and Class IB Impact Test .....	18
4.3.4 Type L-868, Class IA and Class IB Flange Bolt Torque Test .....	18
4.3.5 Type L-868, Class IA and Class IB Weld Integrity Test .....	18
4.3.6 Type L-868, Class IA and Class IB Dimensional Tests .....	18
4.3.7 Type L-868, Class IA and Class IB Protective Coating Thickness Test .....	18
4.3.8 Type L-868, Class IA and Class IB Visual Inspection .....	18
4.3.9 Type L-868, Class IB Potassium Acetate Test .....	18
4.3.10 Type L-868 Torque Test .....	18
4.4 Production Testing .....	19
4.4.1 Lot Size .....	19
4.4.2 Sample Size and Acceptance Criteria .....	19
4.4.3 Retesting .....	19
4.4.4 Type L-867, Class IA and Class IB .....	19
4.4.5 Type L-867, Class IIA and Class IIB .....	20
4.4.6 Type L-868, Class IA and Class IB .....	20
<b>Section 5. Preparation For Delivery .....</b>	<b>21</b>
5.1 Packing .....	21
5.2 Marking .....	21
<b>Appendix .....</b>	<b>31</b>

## LIST OF FIGURES

Figure 1. Flange, Type L-867, Class IA, Class IB, Class IIA, Class IIB .....	22
Figure 2. Body, Type L-867, Class IA, Class IB, Class IIA, Class IIB .....	23
Figure 3. Extensions, Type L-867, Class IA, Class IB, Class IIA, Class IIB .....	24
Figure 4. Accessories, Type L-867 .....	25
Figure 5. Flange, Type L-868, Class IA, Class IB .....	26
Figure 6. Body, Type L-868, Class IA, Class IB .....	27
Figure 7. Sectional Body, Type L-868, Class IA, Class IB .....	28
Figure 8. Extensions, Type L-868 Class IA, Class IB .....	29
Figure 9. Accessories, Type L-868 .....	30
Figure A-1. Extensions and Spacers for 10-inch (254 mm) Diameter Type L-868 Base, for Maintenance of Existing Installations Only .....	31

## Section 1. Scope

This specification sets forth the requirements for light bases, transformer housings, junction boxes, and related accessories.

**1.1 Type.** The type designation of the bases and extensions distinguishes their application as follows:

- Type L-867 Bases and extensions for applications subject to occasional light vehicular loading but no aircraft or other heavy vehicular loading.
- Type L-868 Bases and extensions for applications subject to aircraft and other heavy vehicular loading.

**1.2 Class.** The class designation applies as follows:

- Class IA Bases and extensions that are fabricated from metal in exact conformance to the critical dimensions and requirements necessary for standardization between parts specified herein.
- Class IB Bases and extensions that are fabricated from metal in exact conformance to the critical dimensions and requirements necessary for standardization between parts specified herein and which have been subjected to corrosion testing and found resistant to deicing fluids containing potassium acetate.
- Class IIA Bases and extensions that are fabricated from non-metallic materials in exact conformance to the critical dimensions and requirements necessary for standardization between parts specified herein.
- Class IIB Bases and extensions that are fabricated from non-metallic materials in exact conformance to the critical dimensions and requirements necessary for standardization between parts specified herein and which have been subjected to corrosion testing and found resistant to deicing fluids containing potassium acetate.
- Note 1 Bases and extensions that meet the Class IB or Class IIB requirements are also considered to meet Class IA or Class IIA requirements, respectively.
- Note 2 Bases and extensions that are fabricated as either Class IA or Class IB are to perform the same exact function. The only difference between the two classes of bases and extensions is the possible difference in metal or metal surface treatment required to meet the Class IB level of testing.
- Note 3 Bases and extensions that are fabricated as either Class IIA or Class IIB are to perform the same exact function. The only difference between the two bases and extensions is the possible difference in material or material surface treatment required to meet the Class IIB level of testing.

**1.3 Size.** Five base size designations are assigned. The size refers to the nominal diameter of the base. Sizes and applicable types are as follow:

<b>Size</b>	<b>Type</b>
Size A - 8 inch (203 mm)	Type L-868
Size B - 12 inch (305 mm)	Type L-867 and Type L-868
Size C - 15 inch (381 mm)	Type L-868
Size D - 16 inch (406 mm)	Type L-867
Size E - 24 inch (610 mm)	Type L-867

## Section 2. Applicable Documents

The following documents are referenced or complement the information presented in this Advisory Circular (AC):

**2.1 FAA Advisory Circular (AC) and Engineering Brief (EB).** The FAA documents listed below contain information pertinent to this specification.

AC 150/5340-30	Design and Installation Details for Airport Visual Aids. Copies of the current edition of the AC may be obtained at no charge from the following FAA website: <a href="http://www.faa.gov/airports/resources/advisory_circulars/">http://www.faa.gov/airports/resources/advisory_circulars/</a>
EB 83	In-pavement Light Fixture Bolts. Copies of the EB may be obtained at no charge from the following FAA website: <a href="http://www.faa.gov/airports/engineering/engineering_briefs/">http://www.faa.gov/airports/engineering/engineering_briefs/</a>

**2.2 Military Standard and Specification.** The following Military Standard and Specification (in effect on the date of application for qualification) form a part of this specification and are applicable to the extent specified herein. Copies of military standards and specifications may be obtained at no charge from: DoDSSP, Building 4, Section D, 700 Robbins Ave, Philadelphia, PA 19111-5098, or from the following website: <https://assist.daps.dla.mil/online>

**NOTE:** *User registration and approval is required before access to site is granted.*

### 2.2.1 Military Standard.

MIL-STD-810	Environmental Engineering Considerations and Laboratory Tests
-------------	---

### 2.2.2 Military Specification.

MIL-PRF-26915	Primer Coating, for Steel Surfaces
---------------	------------------------------------

**2.3 American Society for Testing and Materials (ASTM) Specifications, Test Methods, Standard Practices, and Recommended Practices.** The following specifications, test methods, standard practices, and recommended practices (in effect on the date of application for qualification) form a part of this specification and are applicable to the extent specified herein. Copies of ASTM specifications, test methods, and recommended practices may be obtained from the American Society for Testing and Materials, or from the website: <http://www.astm.org/>

A 36	Standard Specification for Carbon Structural Steel
A123/A123M	Standard Specification for Zinc (Hot-Dip Galvanized) Coatings on Iron and Steel Products
A 153	Standard Specification for Zinc Coating (Hot-Dip) on Iron and Steel Hardware

A385/A385M	Standard Practice for Providing High-Quality Zinc Coatings (Hot-Dip)
B 633	Standard Specification for Electrodeposited Coatings of Zinc on Iron and Steel
C109/C109M	Standard Test Method for Compressive Strength of Hydraulic Cement Mortars (Using 2-in. or [50-mm] Cube Specimens)
C617	Standard Practice for Capping Cylindrical Concrete Specimens
C827/C827M	Standard Test Method for Change in Height at Early Ages of Cylindrical Specimens of Cementitious Mixtures
D 2240	Standard Test Method for Rubber Property-Durometer Hardness
E 23	Standard Test Methods for Notched Bar Impact Testing of Metallic Materials

**2.4 American Society of Mechanical Engineers (ASME).** The following standard (in effect on the date of application for qualification) forms a part of this specification and is applicable to the extent specified herein. Copies of ASME standards may be obtained from the American Society of Mechanical Engineers, or from the website: <http://www.asme.org/>.

B46.1 Surface Texture, Surface Roughness, Waviness and Lay

**2.5 American Society for Quality Control (ASQC).** The following standard (in effect on the date of application for qualification) forms a part of this specification and is applicable to the extent specified herein. Copies of ASQC standards may be obtained from the American Society for Quality Control, or from the website: <http://www.asq.org/>

Z1.4 Sampling Procedures and Tables for Inspection by Attributes

## **2.6 Miscellaneous Documents.**

The Design, Installation and Maintenance of In-Pavement Airport Lighting , by Arthur S. Schai, F.I.E.S. Library of Congress Catalog Card Number 86-81865. This document does not form a part of this specification but is listed as valuable resource material on the design and installation of light bases. (Reference AC 150/5340-30 for installation details and options.) Download at: [http://www.faa.gov/airports/resources/advisory\\_circulars/index.cfm/go/document.list](http://www.faa.gov/airports/resources/advisory_circulars/index.cfm/go/document.list).



## Section 3. Requirements

### 3.1 General Description and Intended Use.

**3.1.1 Type L-867 Bases.** Type L-867 is used as a mounting base for airport light fixtures, as a transformer housing and as an electrical junction box. The Type L-867 base must be designed to withstand occasional light vehicular loads. It is subject to direct earth burial with and without concrete backfill.

**3.1.2 Type L-868 Bases.** Type L-868 is used as a mounting base for in-pavement airport light fixtures, as a housing for series circuit transformers, and as an electrical junction box. It must be designed to withstand aircraft and other heavy vehicular loadings. The design must allow the installation of any in-pavement fixture.

The Type L-868 top flange and base must be designed to meet the dimensional requirements and performance requirements, as detailed in this document, to assure proper mating between the base and an in-pavement light fixture.

**3.1.3 General Accessories.** Accessories are used to make corrections and adjustments to Type L-867 and Type L-868 bases, and to facilitate proper performance of the lighting fixture that the base supports. Examples of accessories are listed below, and when used in conjunction with a base specified in this AC, must not reduce the performance capabilities of that base.

**3.1.3.1 Spacer Rings.** Spacer rings are available in various designs depending on the application and are available in various thicknesses and diameters and are generally installed between the base flange and the light fixture or other accessory. See Figures 3 and 8 for minimum and maximum height. To preserve the base integrity and proper bolt torque, **a maximum of three spacer rings may be stacked together.** Each type of L-868 spacer ring, when interfaced to the fixture housing, may be provided with a protective dam that encircles the spacer ring. The protective dam is  $\frac{1}{8}$  inch shorter than the light fixture housing it protects and has an inner diameter (ID) that is a maximum  $\frac{1}{4}$  inch greater than the outer diameter (OD) of the fixture housing. The OD of the protective dam must not exceed the OD of the light base top flange ring. The various types of spacer rings are noted in paragraphs 3.1.3.1.1 through 3.1.3.1.4.

**NOTE 1:** *The protective dam prevents grout, sealant, or other pavement material from sealing the light fixture in place.*

**NOTE 2:** *On field adjustable bases and extensions, the protective dam may be integral to the base or extension top flange ring as long as the requirements noted above and the base or extension top flange ring dimensions comply with the dimensional requirements of this AC.*

**3.1.3.1.1 Flat Spacer Ring.** A flat spacer ring is used to provide height adjustment for Type L-867 or Type L-868 bases.

**3.1.3.1.2 Grooved Spacer Ring.** A grooved spacer ring, when used with a provided “O” ring gasket, is used to provide a seal between the in-pavement fixture and spacer ring for the purpose of minimizing the entrance of surface water and other liquids into the Type L-868 base.

**3.1.3.1.3 Tapered Spacer Ring.** Tapered spacer rings are used to provide level and/or height correction for out-of-level Type L-868 and L-867 bases.

**3.1.3.1.4 Azimuth Correction Spacer Ring.** Azimuth correction spacer rings are used to correct the alignment of light fixtures attached to misaligned Type L-868 bases.

**3.1.3.2 Conduit Connections.** Conduit connections permit connection of underground conduit to the bases. Conduit connections (number, type, size, and location) are to be provided as specified and must meet the environmental requirements of the Class base with which they are utilized. Conduit connections may include hubs, grommets, or other devices suited for the application.

**3.1.3.3 Adapter Rings.** Adapter rings are used for converting the bolt circle of an existing base to that of a fixture having a different bolt circle or to that of a threaded adaptor ring for adjustable threaded extensions. No modification of the existing base should be required. All fixture mounting bolts must have at least ½ inch (13 mm) of thread engagement into the ring.

**3.1.3.4 Base Extensions, Fixed and Adjustable.** Base extensions are used to provide height adjustments to both Type L-867 and Type L-868 bases. They are used with bases when the required new elevation exceeds the capability of spacer rings to obtain it.

Base extension capability can be provided by installing either a fixed extension or a field adjustable extension that interfaces to the top flange of an existing type light base and has the same dimensional top flange and fixture clearance as the existing base. Care should be taken to ensure that the proper Class of extension is utilized. Extensions are equal to or greater than 1-3/4 inches (44 mm) for Type L-867 and 2-1/4 inches (63.5 mm) for Type L-868. Extensions and spacers will be dimensioned per Figures 3 and 8. Note that fixed extensions are shown for dimensional purposes only. Various methods of providing adjustable heights are possible (including proprietary stainless steel adjustable threaded extensions), but all must meet the applicable dimensions in Figures 3 and 8.

Type L-867 bases with provisions for height adjustment may be specified to meet local conditions. These base extensions, which rely on the top flange and the embedment material to support the load, are not suitable for direct earth burial. If the adjustable height base is intended to support the load without top flange and embedment assistance, it is suitable for direct earth burial and must be capable of withstanding the full load test requirement at its maximum extension.

All bases that utilize a method of height adjustment that is integral to the base or extension and is intended for field adjustment must, during qualification testing, be subjected to a torque test to ensure there will be no top flange rotation under normal operating conditions. Reference paragraphs 4.1.7, 4.2.8, and 4.3.10.

**3.1.3.5 Covers.** Various covers are available to facilitate the proper installation of bases. All covers must utilize manufacturer furnished fully threaded 18-8 stainless steel, hex head 3/8" (10 mm) bolts sufficiently long to provide full thread engagement into the mounting surface.

**3.1.3.5.1 Blank Covers.** Blank covers are used to provide a cover for bases when no light fixture is to be installed. Blank covers must be metallic and meet the applicable dimensional requirements of the type base to which they are attached. For Type L-868 load bearing bases, the cover must be equal in thickness to the light fixture. For Type L-867B and Type L-867D non-load bearing bases, the cover must be a minimum of 3/8 inches (10 mm). For Type L-867E bases, the cover must be a minimum of 1/2 inch (13 mm). Covers thicker than 3/4 inch (19 mm) must have (2) opposite holes of the (6) 7/16 inch (11 mm) through holes tapped 1/2"-13 as a means to affix a lifting eye bolt for ease of removal. All cover plates 1/2 inch (13 mm) or thicker must have all bolt holes counter-bored 1-1/8 inches × 3/8 inches (29 mm × 10 mm) deep.

**3.1.3.5.2 Mud Covers.** Mud covers may stand alone or may be used in conjunction with plywood covers on Type L-867 and Type L-868 bases to protect the base flange during construction, and to include surface marking to facilitate locating the center of the base when coring out to locate the base after pavement overlay. Mud covers are appropriately sized for the specific bases they are to protect.

**3.1.3.5.3 Shipping Covers.** Plywood covers are used to protect bases during shipping and installation and are to be installed on all base or base extension shipments. For all galvanized bases, a 3 mil poly shipping gasket may be installed between the base and plywood cover or, as an alternative, the plywood cover should be waxed on the bottom surface to eliminate the bonding action of the plywood and zinc. The Type L-868 plywood cover should also be waxed on the OD edge to facilitate easy removal from any surrounding embedment material. Plywood should be exterior grade 1/2 inch (13 mm) thick Bb/Cc or other material of equal strength and weather resistance (reference Figure 9) for Type L-867 light bases. For Type L-868B light bases, the plywood must be equal to the thickness of the light fixture 3/4 inch (19 mm) or 1-1/4 inch (31.75 mm) for L-868C. When shipped with a mud cover on top, the total thickness of mud cover and plywood cover must equal the thickness of the light fixture.

**NOTE:** *The thickness of the light fixture is the height of fixture flange at the OD of the fixture.*

**3.1.3.6 Grounding Connections.** To provide maintenance personnel electrical safety, the manufacturer must install both an internal and external ground strap. The ground strap functions as a means to connect a ground lug that is connected to an earth ground or a safety ground conductor installed within the series circuit conduit. For Class I bases, a metallic ground connector or strap must be welded to the interior and exterior wall of each base before applying surface protection. The details and location of the ground straps are shown in Figures 2 and 6. The location of the connector may be varied to meet specific conditions. A bronze or copper ground connector should not be fastened to the ground connector or strap until after the base surface protection is applied. For Class II bases, the ground connector or strap must provide a positive ground connection path to a light fixture.

**NOTE:** *Under no circumstances should an exothermic weld be used to attach a ground or counterpoise connection to a galvanized light base because of potential heat damage to the galvanized coating. Under field conditions, repairs to the zinc coating after an exothermic weld are usually ineffective. If the galvanized coating is compromised, the corrosion of exposed light base steel will accelerate.*

**3.1.3.7 Drains.** The conduit/base system should have drains installed in the bases at low points in the system to provide for drainage of water and deicing fluids away from the base and conduit system. If water and deicing fluids are allowed to pool for long periods of time in the light base, they will hasten corrosion of both the conduit and base system.

**3.2 Fabrication and Materials.** Bases and related accessories, designed to function as light bases, transformer housings, and junction boxes, must be fabricated of suitable material to meet the following standards. Appropriate separation material must be used between dissimilar metals to prevent galvanic action between flange rings, spacer rings etc. Copper ground components and stainless steel bolts are exempted. This separation material must not deform at 450 psi (a load equivalent to the L-868 load test) to prevent compression and subsequent loosening of bolts.

**3.2.1 Type L-867, Class IA and Class IB Bases and Extensions.** Type L-867 Class IA bases and extensions must be fabricated from an appropriate metal using fabrication techniques that will produce units meeting the testing requirements in paragraph 4.1. Class IB bases must be fabricated from metal using fabrication techniques that will produce units meeting the appropriate testing requirements of paragraph 4.1. All bases and extensions (excluding spacers and covers) must be labeled using a suitable long lasting contrasting color ink stamp with either the letter A or B to indicate the Class suffix under which the certification has been obtained. The stamp must be a minimum of one inch (25 mm) in height and placed on the exterior wall of the base, no more than 6 inches (152 mm) below the base flange. All components described in this paragraph must be manufactured such that their use does not require existing bases, extensions or any existing components installed in the ground to be cut or modified in any manner. The modification of standard, certified components renders them non-standard and voids their certification. The only exception to this is the cutting of additional conduit holes during installation and the installation of threaded inserts in the flange as these do not affect the structural integrity of a standard unit.

**3.2.1.1 Flange.** The dimensions of the flange must be as shown in Figure 1. The flat surface of the flange must be installed at an angle of  $90 \pm 0.25$  degrees to the axis of the cylindrical body. The flange must be continuously attached to the body to provide a watertight seal.

**3.2.1.2 Body.** The body, including the sides and bottom, must be fabricated from one or more pieces. The dimensions of the body must be as shown in Figure 2. Two conduit entrances must be provided and installed near the bottom of the base. The location and size, per Figure 2, is considered standard. However, the location, number, type, and size can be altered to meet project requirements. Any sharp edges formed on the inside of the body must be removed to prevent cutting or chafing the cable insulation. The length of the body section as shown in Figure 2 is considered standard, but the length may be varied to meet special conditions.

**3.2.1.3 Extensions.** The dimensions of the extensions and spacer rings must be per Figure 3. Extensions for Type L-867 bases must be ordered to length with a minimum length of 1-3/4 inches (44.5 mm) and a tolerance of  $\pm 1/16$  inch (1.5 mm). Flat spacer rings are utilized for height adjustments from 1/16 inch (1.5 mm) through 1-11/16 inches (42.86 mm) in 1/16 inch (1.5 mm) increments. In order to preserve the base integrity, a maximum of three spacer rings may be stacked together.

#### **3.2.1.4 Adjustable Height Type L-867, Class IA and Class IB Bases and Extensions.**

Adjustable height Type L-867, Class IA and IB bases and extensions must have a provision inherent to their design for adjusting the height of the top flange. Various methods of providing height adjustment are possible (including proprietary stainless steel adjustable threaded extensions). The top flange must have the identical dimensions as the top flange of the standard base. For adjustable bases, the body must also have the identical dimensions as the standard base. For adjustable extensions, the top flange and body of the extension must also be compatible with light fixtures and with existing parts in the ground without field modifications to certified parts. The adjustable top flange and supporting wall may mate into the base body either externally or internally of the base supporting wall. If the adjustable base is designed for installation in earth (no embedment support required), the base must be load tested fully extended in free space. If the base requires portland cement concrete (PCC) embedment to meet the load requirements, it may be tested as directed by the testing laboratory with supporting PCC embedment to simulate an actual installation. The manufacturer must indicate by the suffix "PCC" to the catalog number that the base does not meet the load requirements of Type L-867, unless the top base flange is embedded and supported by PCC. These bases must be dimensioned as shown in Figure 2 with regard to fixture interface and critical dimensions.

**3.2.1.5 Bolts.** Bolts suitable for use in threaded holes, as shown in Figures 1 and 2, must be supplied with each base and extension assembly. The bolts must conform to the dimensions specified in the notes in Figures 1, 2, and 3 and must be fully threaded and fabricated from 18-8 stainless steel. Coated steel fasteners per EB 83 may also be used.

**3.2.2 Type L-867, Class IIA and Class IIB Bases and Extensions.** Type L-867 bases and extensions, Class IIA and IIB, must be fabricated from suitable materials and dimensioned so as to produce units meeting the appropriate testing requirements of paragraph 4.2. All bases and extensions (excluding spacers and covers) must be labeled using a suitable long lasting contrasting color ink stamp with either the letter A or B to indicate the Class suffix under which the certification has been obtained. The stamp must be a minimum of one inch (25 mm) in height and placed on the exterior wall of the base, no more than 6 inches (152 mm) below the base flange. All components described in this paragraph must be manufactured such that their use does not require existing light bases, extensions, or any existing components installed in the ground to be cut or modified in any manner. The modification of standard certified components renders them non-standard and voids their certification. The only exception to this is the cutting of additional conduit holes during installation and the installation of threaded inserts in the flange as these do not affect the structural integrity of a standard unit.

**3.2.2.1 Flange.** The flange must be fabricated from suitable materials and must meet the same critical lighting fixture interface dimensions specified for Class I in Figure 1. Flange thickness and material should be sufficient to pass the load test specified in paragraph 4.1.1. The flange must be continuously attached to the body to provide a watertight seal.

**3.2.2.2 Body.** The body, sides, and bottom may be fabricated from one or more pieces. The sides and bottom must be fabricated from suitable materials sufficient to pass the load test described in paragraph 4.2.1. Two conduit entrances must be installed near the bottom of the base. The location and size, as shown in Figure 2, must be considered standard. However, the location, number, type, and size may be altered to meet project requirements. Any sharp edges

formed on the inside of the body must be removed to prevent cutting or chafing of the cable insulation. The length of the body section as shown in Figure 2 must be considered standard, but the length may be varied to meet special conditions.

**3.2.2.3 Extensions.** The dimensions of the extensions and spacer rings must be as shown in Figure 3. Extensions must be fabricated of the same materials and dimensions specified in paragraphs 3.2.2.1 and 3.2.2.2. Extensions must be ordered to length with a minimum length of 1-3/4 inches (44.5 mm) and a tolerance of  $\pm 1/16$  inch (1.5 mm). Flat spacer rings are utilized for height adjustments from 1/16 inch (1.5 mm) through 1-11/16 inches (42.86 mm) in 1/16 inch (1.5 mm) increments. **To avoid problems with bolt torque and to preserve overall base integrity, a maximum of three spacer rings may be stacked together.**

**3.2.2.4 Adjustable Height Type L-867, Class IIA and Class IIB Bases and Extensions.**

Adjustable height Type L-867, Class IIA and IIB bases and extensions must have a provision for adjusting the height of the top flange. Various methods of providing height adjustment are possible (including proprietary stainless steel adjustable threaded extensions). The top flange must have the identical dimensions as the top flange of the standard base. For adjustable bases, the body must also have the identical dimensions as the standard base. For adjustable extensions, the top flange and body of the extension must also be compatible with lighting fixtures and with existing parts in the ground without field modifications to certified parts. The adjustable top flange and supporting wall may mate into the base body either externally or internally of the base supporting wall. If the adjustable base is designed for installation in earth (no embedment support required) the base must be load tested fully extended in free space. If the base requires PCC embedment in order to meet the loading requirements, it may be tested with supporting PCC embedment to simulate actual installation as directed by the testing laboratory. The manufacturer must indicate by the suffix "PCC" to the catalog number that the base does not meet the load requirements of Type L-867 unless the top base flange is embedded and supported by PCC. These bases must be dimensioned as shown in Figure 2 with regard to fixture interface and critical dimensions.

**3.2.2.5 Bolts.** Bolts suitable for use in threaded holes as shown in Figures 1, 2, and 3 must be supplied with each base and extension assembly. The bolts must conform to the dimensions specified in the notes in Figures 1, 2, and 3, and must be fully threaded and fabricated from 18-8 stainless steel. Coated steel fasteners per EB 83 may also be used.

**3.2.3 Type L-867 Accessories.** Various accessories are necessary to facilitate construction involving Type L-867 bases or to make corrections or adjustments to Type L-867 bases. These accessories are detailed in Figure 4.

**3.2.4 Type L-868, Class IA and Class IB Bases and Extensions.** Type L-868, Class IA bases and extensions, must be fabricated from an appropriate metal (see note below) and constructed in such a manner to meet the appropriate testing requirements per paragraph 4.3. Class IB bases and extensions must be fabricated from an appropriate metal (see note below) and constructed in such a manner as to meet the appropriate testing requirements specified in paragraph 4.3.

**NOTE:** *If a material other than ASTM A36 steel is used for a major load bearing structural component, the material must meet the mechanical property yield and tensile values of A36 steel.*

*A material with yield and tensile stress values lower than the minimum specified values of A36 steel may be used if the manufacturer can demonstrate conformance to the requirements set forth in section 4 of this specification.*

All bases and extensions (excluding spacers and covers) must be labeled using a suitable long lasting contrasting color ink stamp with either the letter A or B to indicate the Class suffix under which the certification has been obtained. The stamp must be a minimum 1 inch (25 mm) in height and placed on the exterior wall of the base, no more than 6 inches (152 mm) below the base flange.

All components described in this paragraph must be manufactured such that their use does not require existing bases, extensions or any existing components installed in the ground to be cut or modified in any manner. The modification of standard, certified components renders them non-standard and voids their certification. The only exception to this is the cutting of additional conduit holes during installation and the installation of threaded inserts in the flange as these do not affect the structural integrity of a standard unit.

**3.2.4.1 Flange.** The dimensions of the flange must be as shown in Figure 5. The flat surface of the flange must be installed at an angle of 90 degrees,  $\pm 0.125$  degree, to the axis of the cylindrical body of the base. The flange must be continuously attached to the body to provide a watertight seal. The flange faces, outside and inside diameter, must be finished in accordance with ASME B 46.1. Bolt hole size and placement must be as shown in Figure 5. Bolt hole may be integral to the flange or contained in metal insert located in the flange. A specified bolt installed in the flange bolt hole must be capable of accepting a bolt torque test as indicated in paragraph 4.3.4. As part of the base testing, any insert or remedial device used for correcting threads damaged while in service must be tested in the base flange as part of the base in which it is intended for service.

**3.2.4.2 Body.** The body section, sides and bottom, may be formed from one or more pieces. One piece body sections must have an anchor ring (mid-ring) attached to the body by a continuous weld applied to the upper side and lower side of the ring as shown in Figure 6. The length of the one piece body section shown in Figure 6 must be considered a standard, but the overall length may vary to meet specific conditions. Two 2-inch (51 mm) conduit entrances must be provided near the bottom of the body. The location, number, and size of conduit entrances shown in Figure 6 must be considered standard, but the size, location, and number of connections may be varied to meet specific conditions. Any sharp edges at the conduit entrances must be removed to prevent cutting or chafing of the cable insulation. When sectional bases are specified, the sections must be dimensioned as shown in Figure 7.

**3.2.4.3 Extensions.** Extensions must be fabricated from the appropriate metal for either Class IA or Class IB bases. The dimensions of extensions must be as shown in Figure 8. The minimum extension length must be 2-1/4 inches (51 mm). Flat spacer rings must be used for height corrections of 1/16 inch (1.6 mm) to 2-3/16 inches (62 mm) in 1/16 inch (1.6 mm) increments. Flat spacer ring dimensions are shown in Figure 8. If specified, grooved spacer rings may be used for height corrections of 1/4 inch (3.2 mm) to 2-7/16 inches (62 mm) in 1/16 inch (1.6 mm) increments.

**3.2.4.4 Adjustable Height Type L-868, Class IA and Class IB Bases and Extensions.**

Adjustable height Type L-868, Class IA and IB bases and extensions must have a provision for adjusting the height of the top flange. Various methods of providing height adjustment are possible (including proprietary stainless steel adjustable threaded extensions). The top flange must have the identical dimensions as the top flange of the standard base. For adjustable bases, the body must also have the identical dimensions as the standard base. For adjustable extensions, the top flange and body of the extension must also be compatible with light fixtures and with existing parts in the ground without field modifications to certified parts. The adjustable top flange and supporting wall may mate into the base body either externally or internally of the base supporting wall.

**3.2.4.5 Bolts.** Bolts suitable for use in the threaded holes as shown in Figures 5, 6, and 7 must be supplied with each spacer ring. These bolts must be of sufficient length to provide a full thread connection with the base flange when the spacer ring is inserted between the light fixture and the base flange. If bases or extensions are ordered without spacer rings, bolts conforming to the dimensions specified in the notes in Figures 5, 6, and 7 must be supplied. All bolts must be fully threaded and fabricated from 18-8 stainless steel and supplied with stainless steel locking washers.

**NOTE:** *Anti-seize material is recommended to be furnished and utilized by the installing contractor when installing stainless steel bolts (Reference AC 150/5340-30). Anti-seize material is not supplied by the base manufacturer. No antiseize material is required for coated fasteners per EB 83.*

Coated steel fasteners per EB83 may also be used. All finished bolt sizes must be the same as stainless steel bolts.

**3.2.5 Type L-868 Accessories.** Various accessories are necessary to facilitate construction involving Type L-868 bases or make corrections or adjustments to Type L-868 bases. These accessories are detailed in Figure 9.

**3.2.6 Grounding Lugs.** Ground connectors or straps must be supplied with each base. A metallic ground connector or strap must be welded to the interior and exterior wall of each base before applying surface protection. The details and location of the ground connectors are shown in Figure 6. The location of the connector may be varied to meet specific conditions. A bronze or copper ground connector should not be fastened to the ground connector or strap until after the base surface protection is applied.

**NOTE:** *Under no circumstances should an exothermic weld be used to attach a ground or counterpoise connection to a galvanized light base because of potential heat damage to the galvanized coating. Under field conditions, repairs to the zinc coating after an exothermic weld are ineffective. If the galvanized coating is compromised, the corrosion of exposed light base steel will accelerate.*

**3.2.7 Drains.** If specified, a drain should be provided in the bottom of the base prior to applying surface protection. When not otherwise specified, the drain should be 3/4 inch (19 mm) in diameter.



**3.2.8 Protective Coating.** After fabrication all burrs and sharp edges must be removed. All ferrous metal parts must be treated for corrosion protection. Prior to tapping operations, all parts of Class I bases, extensions, and spacer rings in excess of 1/4 inch (6.35 mm) in thickness must be hot-dip galvanized, per ASTM A123/A123M, applied per ASTM A385. Flanges, covers, and rings must be wiped smooth to a flatness of  $\pm 0.010$  inch (0.254 mm). Plates and rings 1/4 inch (6.35 mm) or less in thickness, grooved extensions, and grooved spacer rings when made of ferrous metal must be plated with zinc per the requirements of ASTM B633, Type II, Class I or hot dip galvanized per ASTM A123/A123M. Tapped holes for conduit must be protected with a polyurethane varnish or equivalent. A zinc dust primer meeting per MIL-PRF-26915 is permitted for touchup. The area covered by zinc dust primer must not exceed 10 percent of the total treated area. Any cast iron may be coated with a minimum of 2.0 mils of oxyplast powder in lieu of galvanizing. Class IA base extensions and spacer rings must utilize surface protection that meets testing requirements per paragraph 4.4.

**Intentionally left blank.**

## Section 4. Quality Assurance Provisions

Equipment produced under this specification may be eligible for funding for installation at airports under Federal grant assistance programs for airports. To be eligible for installation under Federal grant assistance programs, manufacturers of the types of equipment specified herein are required to certify or furnish proof to the airport sponsor, or the sponsor's representative, that the equipment is certified by an FAA-approved Third Party Certification Body to meet the following test specimen, and production provisions established in paragraphs 4.1, 4.2 and 4.3 Certification Testing. Certification testing is intended to assure that the materials and fabrication methods are adequate to provide acceptable in-service performance of bases. Certification testing is required for each type, class, and size of base produced. The third party certification body must make a permanent record (for up to seven years beyond the life of the certification) of the exact material and fabrication process used for the prototype submitted for certification. Any change in material or fabrication process requires the certification of the resultant product as a new product being submitted for certification. After testing and qualification are complete, the prototype accepted for qualification must serve as the dimensional and workmanship model for all subsequent production units.

**4.1 Type L-867, Class IA and Class IB Certification Testing.** Type L-867, Class IA and Class IB bases and extensions fabricated in accordance with the materials and dimensions specified herein must be capable of passing the following tests:

**4.1.1 Type L-867, Class IA and Class IB Load Test.** Sample bases and extensions must be subject to the load test described below. The base and cover assembly or assemblies including spacer rings, extensions, and multi-section bodies must be bolted together and placed on a flat steel plate mounted in a standard testing machine. The test section must be a unit in height deemed to be the maximum height to be furnished by the manufacturer with four 2 inch (51 mm) conduit entrances located in the body section, located at 90 degree increments, 2-1/2 inches (64 mm) from the bottom of the base. A load must be applied to the top part of the base through a block of rubber 1-1/2 inches (38 mm) thick, with a diameter equal to the cover plate, and having a durometer hardness of 55 to 70. A load of 250 psi (1724 kPa) must be applied uniformly over the area of the rubber block at a rate not to exceed 10,000 pounds (4536 kg) per minute. The base or any of the components will be considered unsatisfactory if there is any permanent deformation or cracking of material or coating. The above test will be repeated three times. After each loading, bolts must be checked for loss of tension. The bolts must be torqued to the manufacturer's recommended service torque after the first two loadings. The base and/or assembly will be considered unsatisfactory if there is any loss of torque in the bolts or permanent deformation of the flange or coating after the third loading. Load testing is to be performed on free standing units.

**4.1.1.1 Type L-867, Class IA and Class IB Load Test, Adjustable Height Bases and Extensions.** If the adjustable base or extension is designed for installation in earth (no embedment support required), the base or extension must be tested fully extended in free space and must be subject to the load test in paragraph 4.1.1. If the base or extension requires PCC embedment in order to meet the loading requirements, it may be tested to the requirements in paragraph 4.1.1 with supporting PCC embedment to simulate actual installation as directed by the testing laboratory.

**4.1.2 Type L-867, Class IA and Class IB Weld Integrity Test.** This test must be performed after each assembly has undergone the load test described in paragraph 4.1.1. An internal air or hydraulic pressure of 12 psi,  $\pm 2$  psi, (83 kPa,  $\pm 14$  kPa) must be maintained within the assembly using pressure fittings. The conduit entrances must include a sample of the conduit interfaces (hub, grommet etc.) that are offered by the manufacturer for interfacing to the conduit. The conduit entrances must include conduit stubs suitably plugged during the conducting of the test. A high foam soap or detergent solution of low surface tension must be brushed on welds, seams, and joints to detect leakage. Alternatively, the assembly may be submerged in a tank of water while pressurized to detect any air leakage. The assembly will be considered unsatisfactory if leakage is evident. The conduit entrances must be placed at least 24 inches (0.6 m) below the water surface. Any leakage of water into the assembly will be cause for rejection.

**NOTE:** *This test is also to be performed on bases designed to be field height adjustable, but the extension itself does not have to be in place.*

**4.1.3 Type L-867, Class IA and Class IB Dimensional Tests.** Specimens must be measured for conformance to the dimensions specified in Figures 1, 2, 3, and 4. Should any new product be introduced that does not exactly conform to the fixed products shown, the applicable dimensions necessary to ensure compatibility with certified light fixtures and bases must be applied.

**4.1.4 Type L-867, Class IA and Class IB Protective Coating Thickness Test.** When utilized, the thickness of protective coatings must equal or exceed those specified herein. The weight of hot-dip galvanizing must be tested according to the method described in ASTM A 153. Zinc plating thickness must be tested by a method described in ASTM B 633.

**4.1.5 Type L-867, Class IA and Class IB Visual Inspection.** Each unit must be visually inspected for quality of workmanship and materials. The specified Class marking must be inspected for correctness. Particular attention must be given to smoothness and continuity of welds and seams, flatness and smoothness of the flange surface, complete and uniform application of the protective coating, freedom from excess zinc when applicable, and absence of burrs, sharp edges, cracks, voids, penetrations or any other imperfection that could potentially affect the structural integrity or performance of the product.

**4.1.6 Type L-867, Class IB Potassium Acetate Test.** Those bases and extensions certified to Type L-867 Class IB requirements must be subjected to testing to determine if they are resistant to corrosion caused by deicing fluids containing potassium acetate. The test consists of taking a test base and filling it half full with a potassium acetate deicing fluid composed of 50 percent potassium acetate and 50 percent water, by weight. The test base will have conduit connecting devices identical to that to be furnished with the base with conduit stubs plugged and the top of the base must be covered with an appropriate blank cover and gasket. The test base will remain for 21 days at an elevated temperature of 194°F (90°C). After the test period the base and spacer ring must be inspected. There must be no evidence of corrosion or leakage.

**4.2 Type L-867, Class IIA and Class IIB Certification Testing.** Type L-867, Class IIA and Class IIB bases and extensions fabricated from materials to dimensions as specified herein must be capable of passing the following tests.

**4.2.1 Type L-867, Class IIA and Class IIB Load Test.** Sample bases and extensions must be subjected to the load test described in paragraph 4.1.1.

**4.2.2 Type L-867, Class IIA and Class IIB Weld Integrity Test.** Sample bases and extensions must be subjected to the leakage test described in paragraph 4.1.2.

**NOTE:** *This test is also to be performed on bases designed to be field height adjustable, but the extension does not have to be in place.*

**4.2.3 Type L-867, Class IIA and Class IIB Temperature Shock Test.** Temperature shock test requirements apply only to Class II, non-metallic, Type L-867 bases. A temperature shock test must be conducted on a completed non-metallic base assembly. The test must be performed according to MIL-STD-810, Method No. 503.2, Paragraph II, Procedure I. The high test temperature must be conducted at +130°F (+54°C) and the low test temperature must be conducted at -65°F (-54°C). This test must be conducted on the assembly after the load test described in paragraph 4.1.1 has been concluded. Any cracking or joint separation of the materials making up the base assembly will be cause for rejection.

**4.2.4 Type L-867, Class IIA and Class IIB Dimensional Tests.** Specimens must be measured for conformance to the dimensions specified in Figures 1, 2, 3, and 4, as applicable. Mounting flange and base wall thicknesses must be measured and must be equal to or greater than those required to pass the load test and torque test described in paragraph 4.1.1. Should any new product be introduced that does not exactly conform to the fixed products shown, the applicable dimensions necessary to ensure compatibility with certified light fixtures and bases must be applied.

**4.2.5 Type L-867, Class IIA and Class IIB Protective Coating Thickness Test.** For components of the base or assembly requiring protective coatings, the thickness of protective coatings must be tested in accordance with paragraph 4.1.4.

**4.2.6 Type L-867, Class IIA and Class IIB Visual Inspection.** Bases must be visually inspected in accordance with paragraph 4.1.5.

**4.2.7 Type L-867, Class IIB Potassium Acetate Test.** Those bases and extensions certified to Type L-867 Class IIB requirements must be subjected to testing to determine if they are resistant to corrosion caused by deicing fluids containing potassium acetate. The test must be conducted in accordance with paragraph 4.1.6.

**4.3 Type L-868, Class IA and Class IB Certification Testing.** Type L-868, Class I bases and extensions fabricated with the materials and dimensions specified herein must pass the following tests.

**4.3.1 Type L-868, Class IA and Class IB Load Test.** Sample bases and extensions must be subject to the load test described in paragraph 4.1.1 with the following exception. A load of 450 psi (3,103 kPa) must be applied uniformly over the area of the rubber block at a rate not to exceed 10,000 pounds (4,536 kg) per minute. The test section must be a unit in height deemed to be the maximum height, to be furnished by the manufacturer. For 8 inch (203 mm) Type L-868, one inch (25 mm) conduit entrances must be used.

**4.3.2 Type L-868, Class IA and Class IB Fatigue Test.** If a material other than ASTM A36 steel is used for a major load-bearing structural component, the material must have a fatigue limit or endurance limit no less than 27 ksi (186 MPa). Specimens from the proposed material must be able to withstand a minimum of  $5 \times 10^7$  cycles at 27 ksi (186 MPa) by a standard R.R. Moore rotating beam fatigue test using polished specimens. No less than three tests must be conducted to validate the material's fatigue properties.

**4.3.3 Type L-868, Class IA and Class IB Impact Test.** If a material other than ASTM A36 steel is used for a major load-bearing structural component, the material must have an impact toughness equal to or greater than 15 ft-lb (20 J) at 20°F (-7°C), per the Charpy V-notch test specified in ASTM E23. No less than three tests must be conducted to validate the material's impact properties.

**4.3.4 Type L-868, Class IA and Class IB Flange Bolt Torque Test.** Flanges must be tested by inserting 18-8 stainless steel fixture mounting bolts in all 6 bolt holes and torquing all bolts to failure. Any cracking or permanent deformation of the flange material will be cause for rejection. Any rotation or distortion of installed remedial devices or replaceable inserts will also be cause for rejection.

**4.3.5 Type L-868, Class IA and Class IB Weld Integrity Test.** Sample bases and extensions must be subjected to the leakage test described in paragraph 4.1.2.

**NOTE:** *This test is also to be performed on bases designed to be field height adjustable, but the extension does not have to be in place.*

**4.3.6 Type L-868, Class IA and Class IB Dimensional Tests.** Specimens must be measured for conformance to the dimensions specified in Figures 5-9, as applicable. Should any new product be introduced that does not exactly conform to the fixed products shown, the applicable dimensions necessary to ensure compatibility with certified light fixtures and bases must be applied.

**4.3.7 Type L-868, Class IA and Class IB Protective Coating Thickness Test.** For components of the base or assembly requiring protective coatings, the thickness of protective coatings must be tested in accordance with paragraph 4.1.4.

**4.3.8 Type L-868, Class IA and Class IB Visual Inspection.** Specimens must be subject to visual inspection as described in paragraph 4.1.5.

**4.3.9 Type L-868, Class IB Potassium Acetate Test.** Bases and Extensions must be subjected to testing to determine if they are resistant to corrosion caused by deicing fluids containing potassium acetate. The test must be conducted in accordance with paragraph 4.1.6.

**4.3.10 Type L-868 Torque Test.** Two different torque tests are specified depending on the intended application for Class IA and IB bases.

#### **4.3.10.1 Base Anchored Into the Surrounding Pavement.**

a. The torque test shall be performed on a specimen properly assembled and constructed so as to closely simulate actual installation in a pavement. Prior to test, reference “tick” marks shall be made on the mounting flange and surrounding pavement material. A torque of 100,000 in-lbs (11,300 Nm) shall be applied perpendicular to the vertical axis of the container through a steel cover plate. The maximum torque shall be achieved within 60 seconds of the start of test. The torque load shall be applied three times.

b. Upon completion of the third torque loading, the reference “tick” marks will be measured to determine if the support ring has been displaced in azimuth. An azimuth displacement of 0.25 degree or greater shall be cause for rejection.

#### **4.3.10.2 Base Anchored into Embedment Material.**

After completion of load testing, specimens shall be subjected to torque testing as described in paragraph 4.3.10.1 to ensure adequate material thicknesses, attachment, and assembly techniques. An azimuth displacement of 0.25 degree or greater shall be cause for rejection. Separation of the flange or bottom of the container from the body sidewalls, as well as buckling and/or permanent deformation of the body sidewalls shall also be cause for rejection.

### **4.4 Production Testing.**

**4.4.1 Lot Size.** The lot size must be equal to the daily production rate.

**4.4.2 Sample Size and Acceptance Criteria.** Production testing must be based on the procedures given in ASQC Z1.4. Sample size and acceptance criteria must be based on Table 1 (Sample Size Code Letters), General Inspection Level I, Table II-A (Single Sampling Plans for Normal Inspection), and an Acceptable Quality Level (AQL) of 2.5. Note that normal inspection may be switched to reduced inspection provided the conditions set forth in ASQC Z1.4 are met.

**4.4.3 Retesting.** If the lot is rejected, the remainder of the lot may be tested and inspected on an individual basis. As an alternative to individual testing and inspection, the remainder of the lot may be tested using criteria in ASQC Z1.4 for multiple sampling. Table IVB, Multiple Sampling Plans for Tightened Inspection, using the appropriate sample size and an AQL of 2.5, must be used. Should the lot fail under the multiple sampling plan criteria, all units must be inspected and tested individually and repaired as necessary. Any samples that fail under any of the above criteria must be repaired prior to shipment.

#### **4.4.4 Type L-867, Class IA and Class IB.**

**4.4.4.1 Dimensional Tests.** Random samples from each lot must be subjected to dimensional tests as described in paragraph 4.1.3.

**4.4.4.2 Visual Inspection.** Random samples from each lot must be subjected to visual inspection as described in paragraph 4.1.5.

**4.4.4.3 Weld Integrity Test.** Random samples from each lot must be subjected to the leakage test described in paragraph 4.1.2, except that load testing of production samples is not required.

**4.4.5 Type L-867, Class IIA and Class IIB.**

**4.4.5.1 Dimensional Tests.** Random samples from each lot must be tested in accordance with paragraph 4.2.4.

**4.4.5.2 Visual Inspection.** Random samples from each lot must be visually inspected in accordance with paragraph 4.1.5.

**4.4.5.3 Weld Integrity Test.** Random samples from each lot must be subjected to the leakage test described in paragraph 4.1.2, except that load testing of production samples is not required.

**4.4.6 Type L-868, Class IA and Class IB.**

**4.4.6.1 Dimensional Test.** Random samples from each lot must be tested for conformance to the dimensional test described in paragraph 4.3.6.

**4.4.6.2 Visual Inspection.** Random samples from each lot must be inspected for conformance to the requirements in paragraph 4.3.8.

**4.4.6.3 Weld Integrity Test.** Random samples from each lot must be subjected to the leakage test described in paragraph 4.1.2, except that load testing of production samples is not required.



## **Section 5. Preparation For Delivery.**

**5.1 Packing.** Equipment must be carefully packaged for shipment and delivery to avoid damage and/or corrosion. Protective covers must be installed on all bases. (See paragraph 3.1.3.5.3.)

**5.2 Marking.** Equipment must be marked for shipment with the consignee's name and address, and other pertinent information as needed by the installer. Marking must include the following statement, "Installer: These products have been packed and shipped per FAA recommendations. Products are to be handled carefully so no damage to the structure or finish will occur during the installation process."

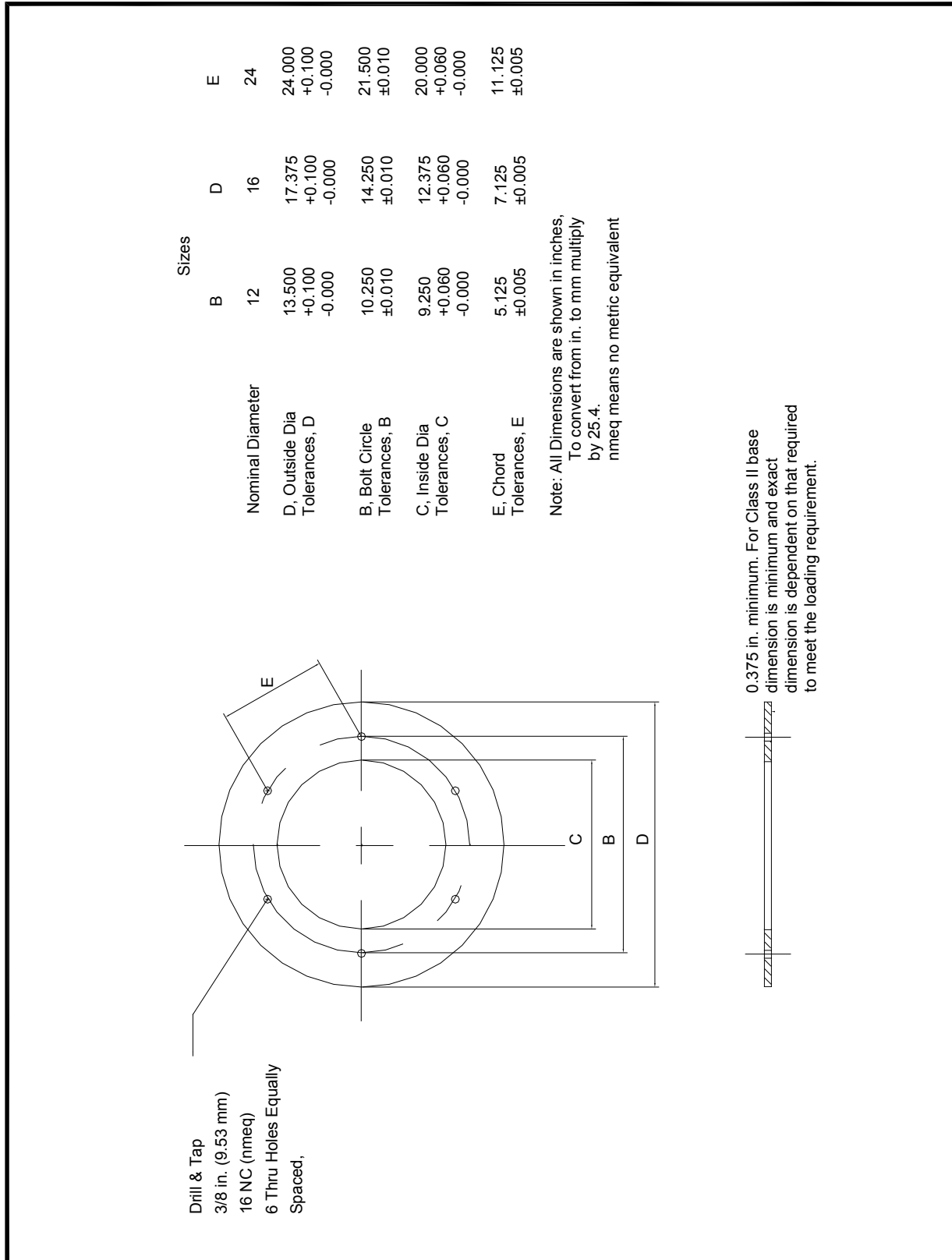


Figure 1. Flange, Type L-867, Class IA, Class IB, Class IIA, Class IIB

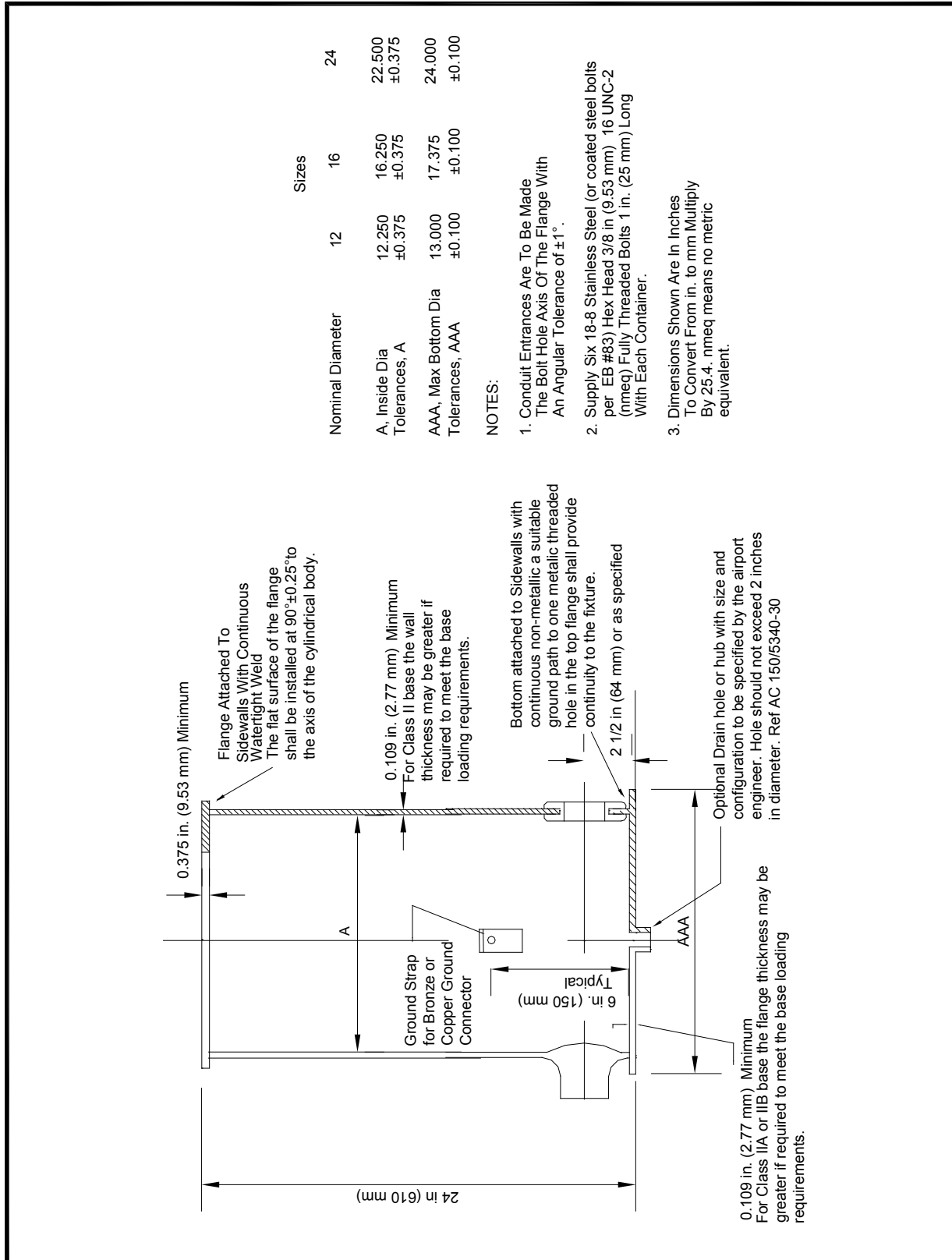


Figure 2. Body, Type L-867, Class IA, Class IB, Class IIA, Class IIB

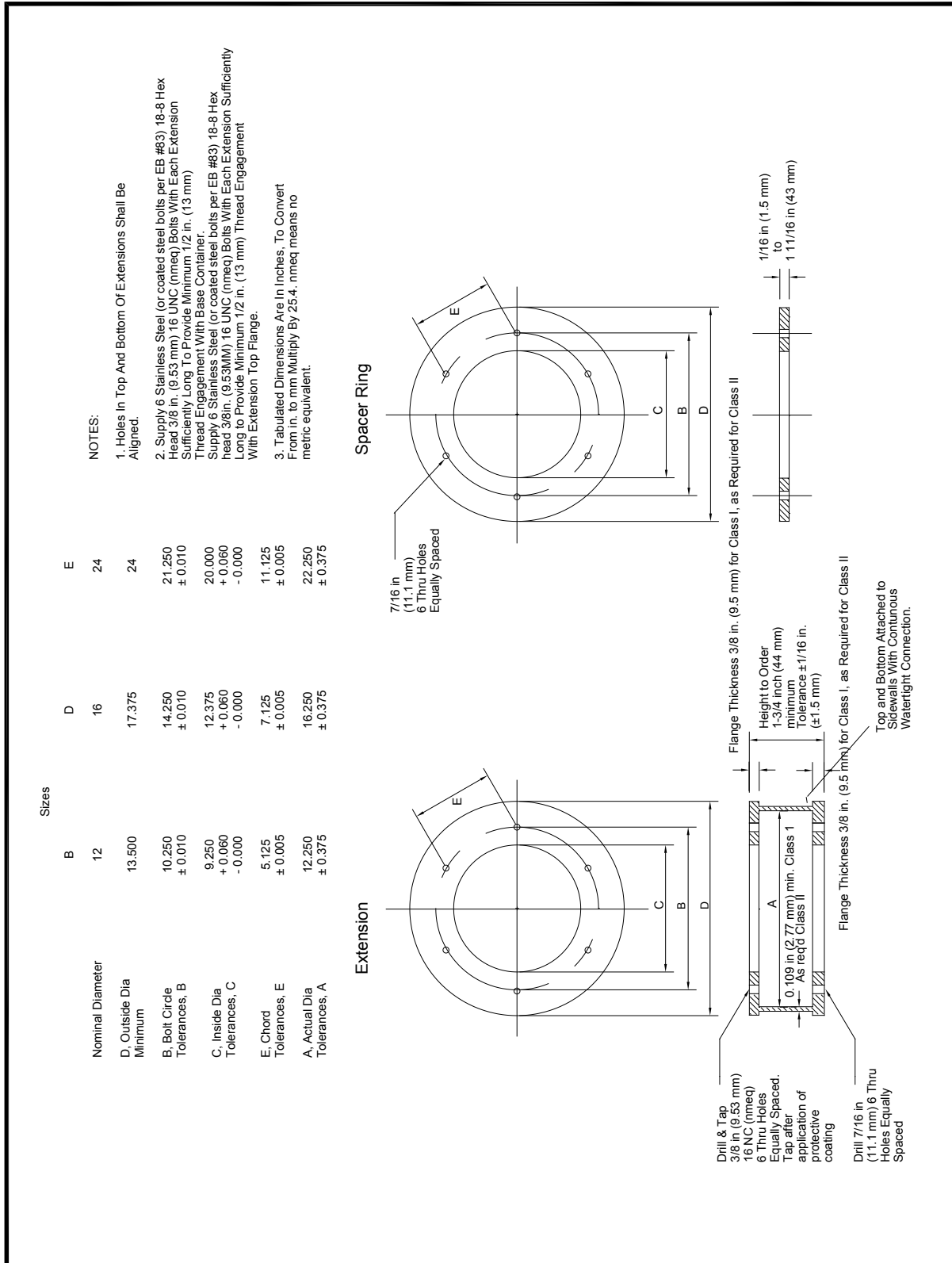


Figure 3. Extensions, Type L-867, Class IA, Class IB, Class IIA, Class IIB

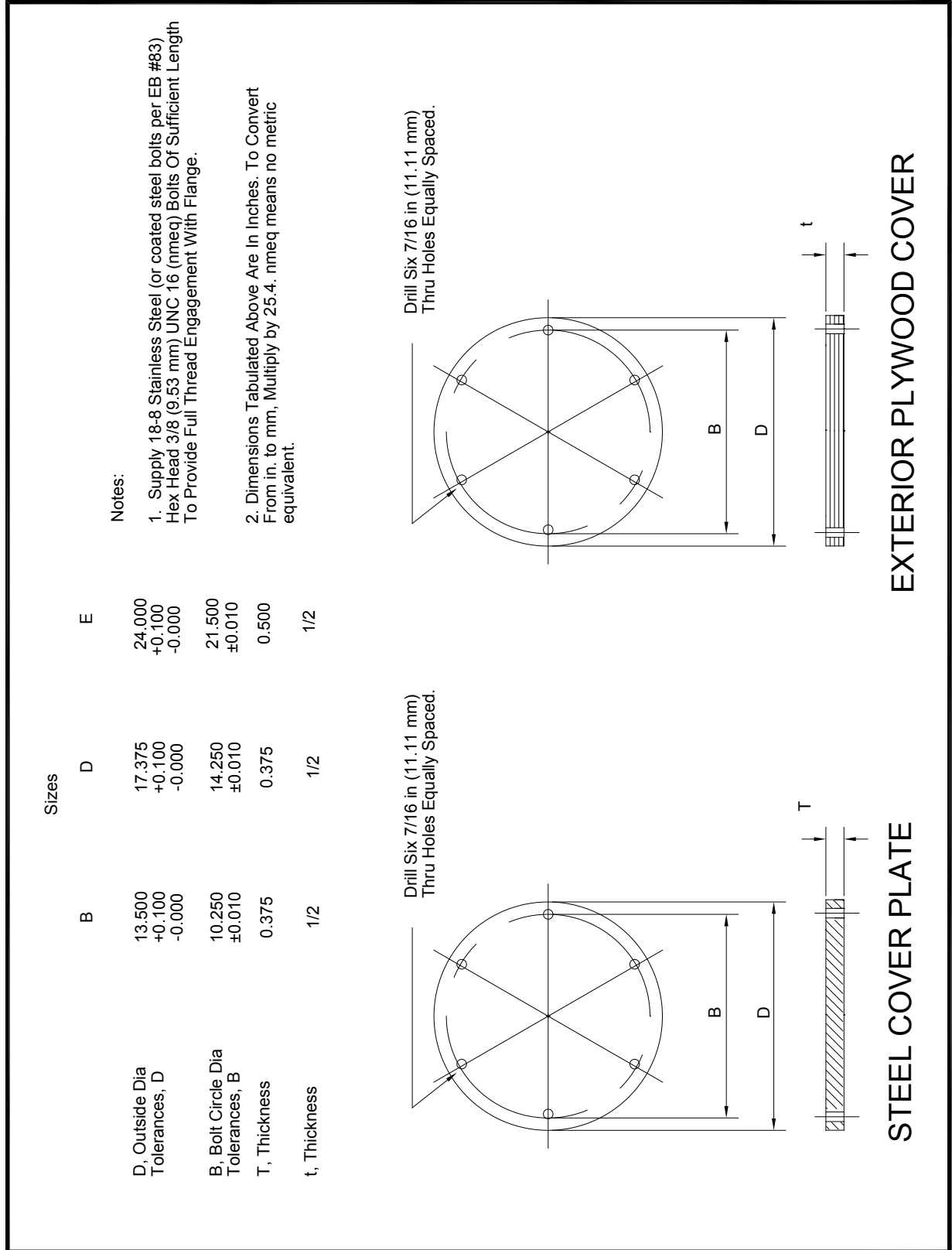


Figure 4. Accessories, Type L-867

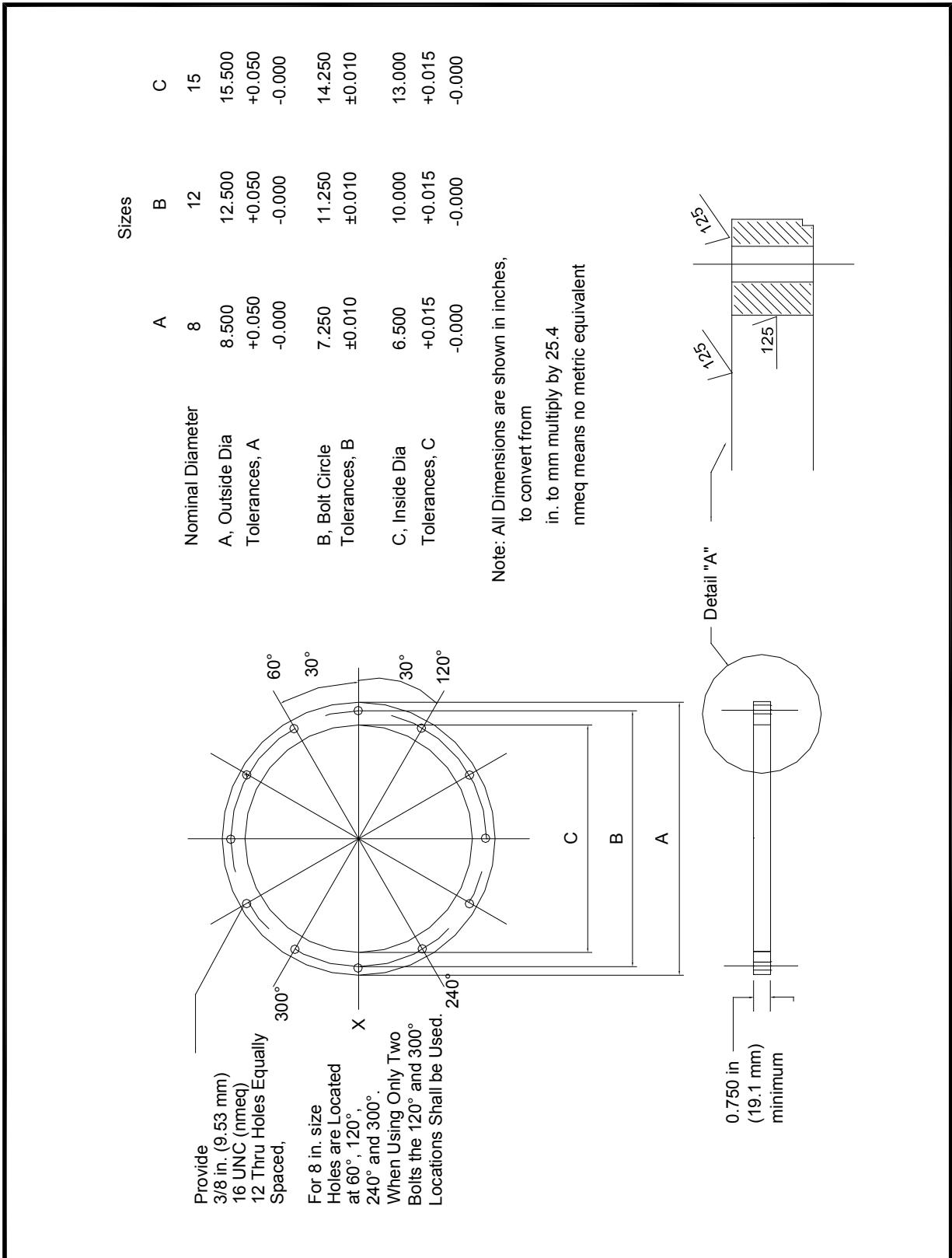


Figure 5. Flange, Type L-868, Class IA, Class IB

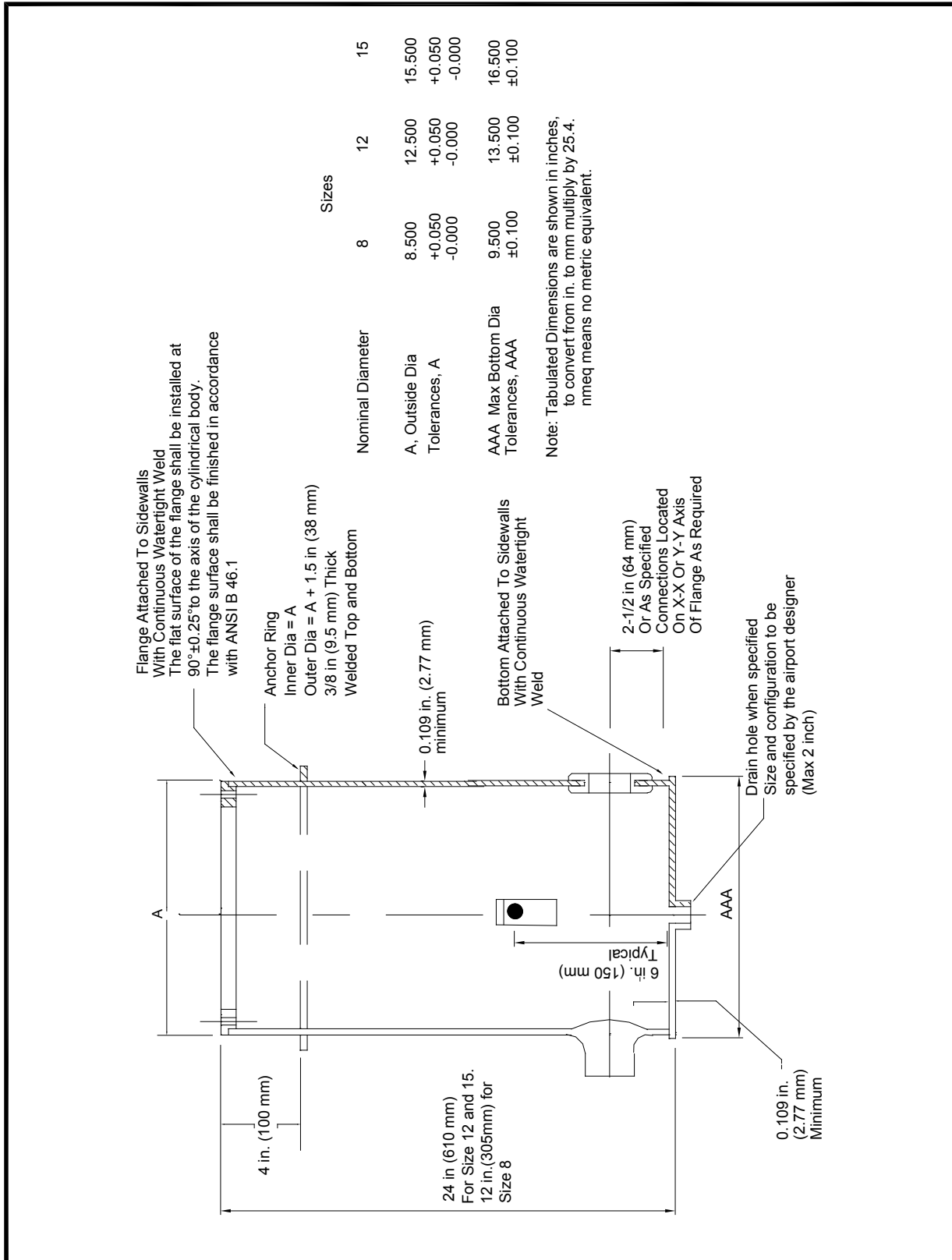


Figure 6. Body, Type L-868, Class IA, Class IB

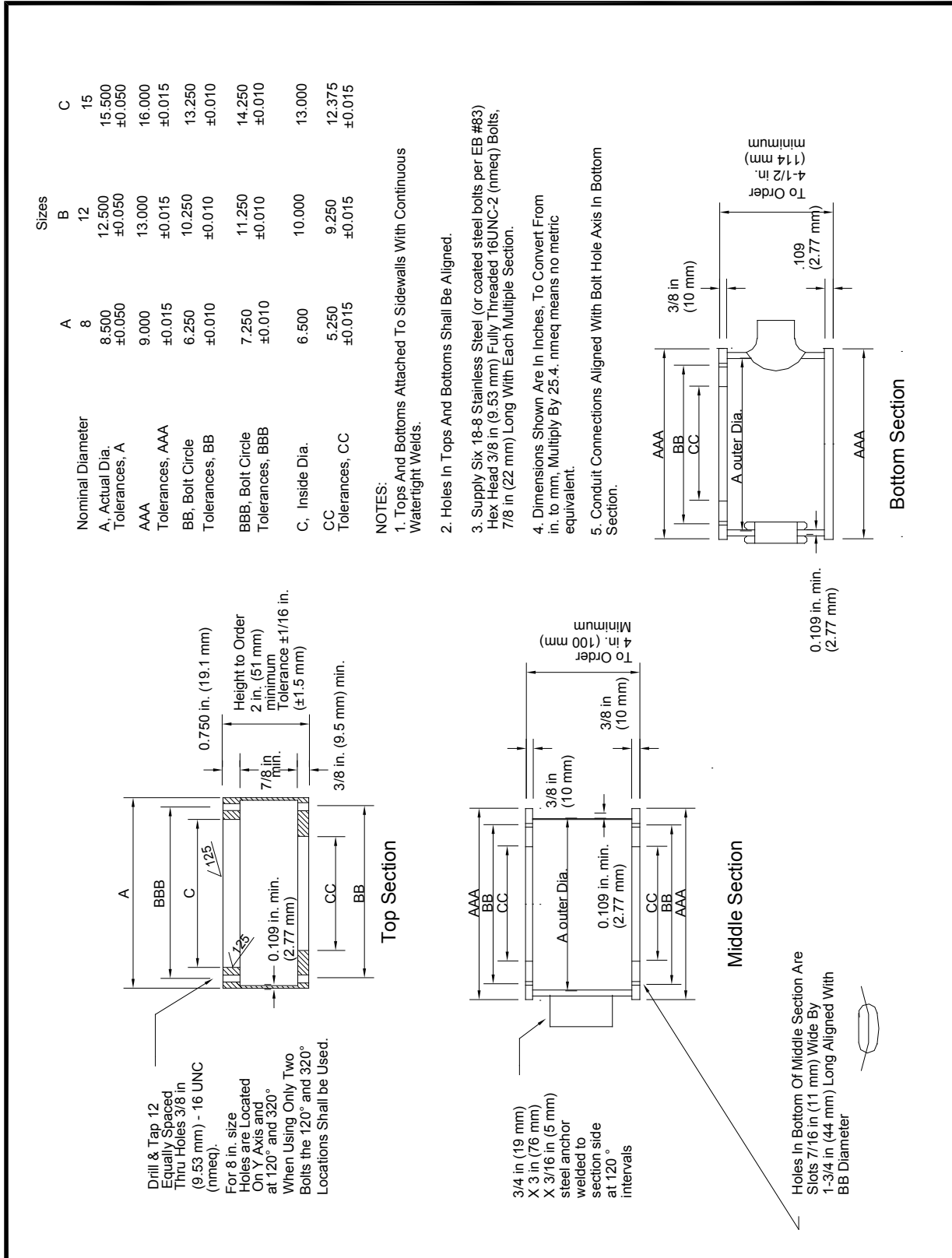


Figure 7. Sectional Body, Type L-868, Class IA, Class IB



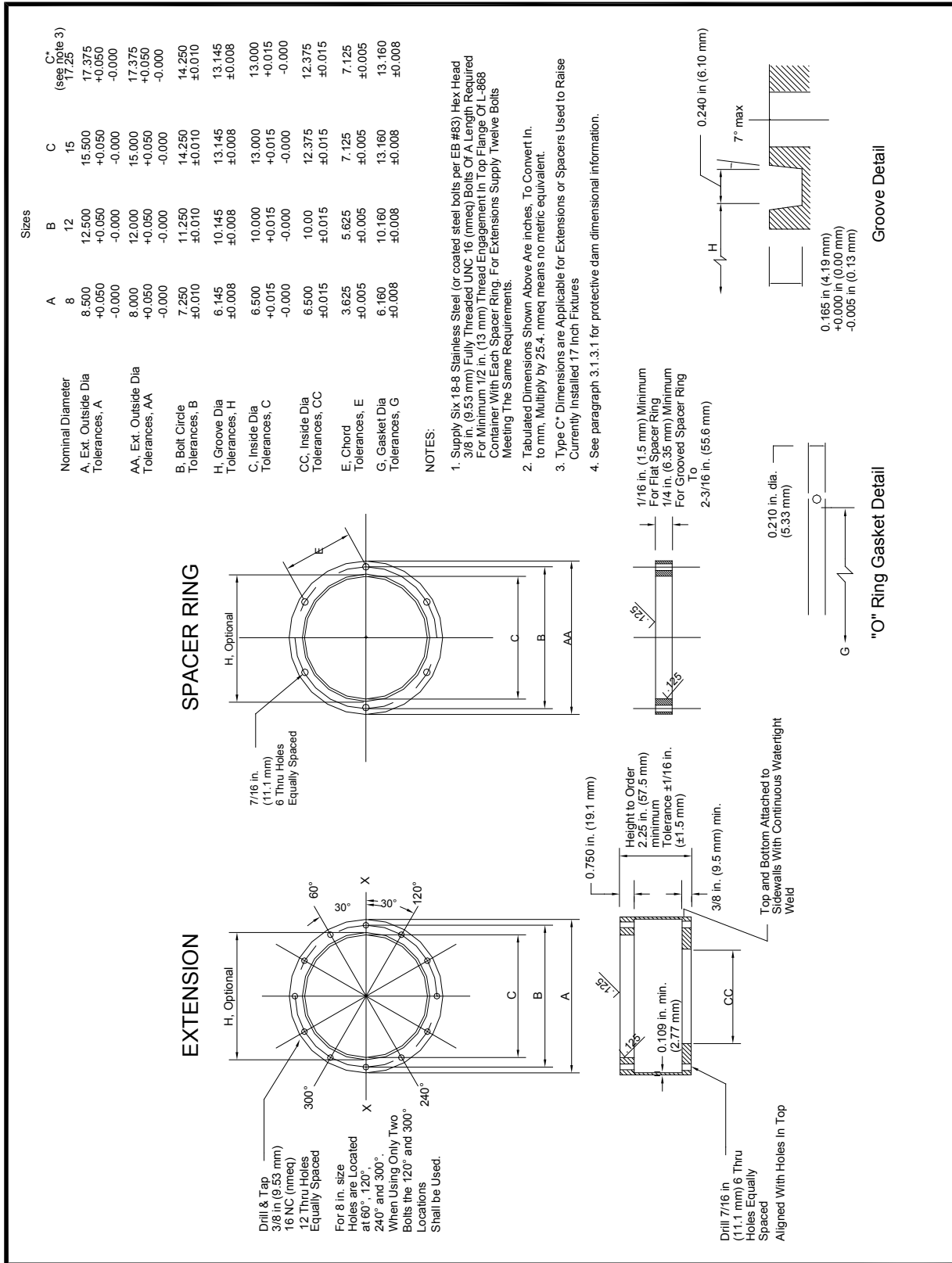


Figure 8. Extensions, Type L-868 Class IA, Class IB

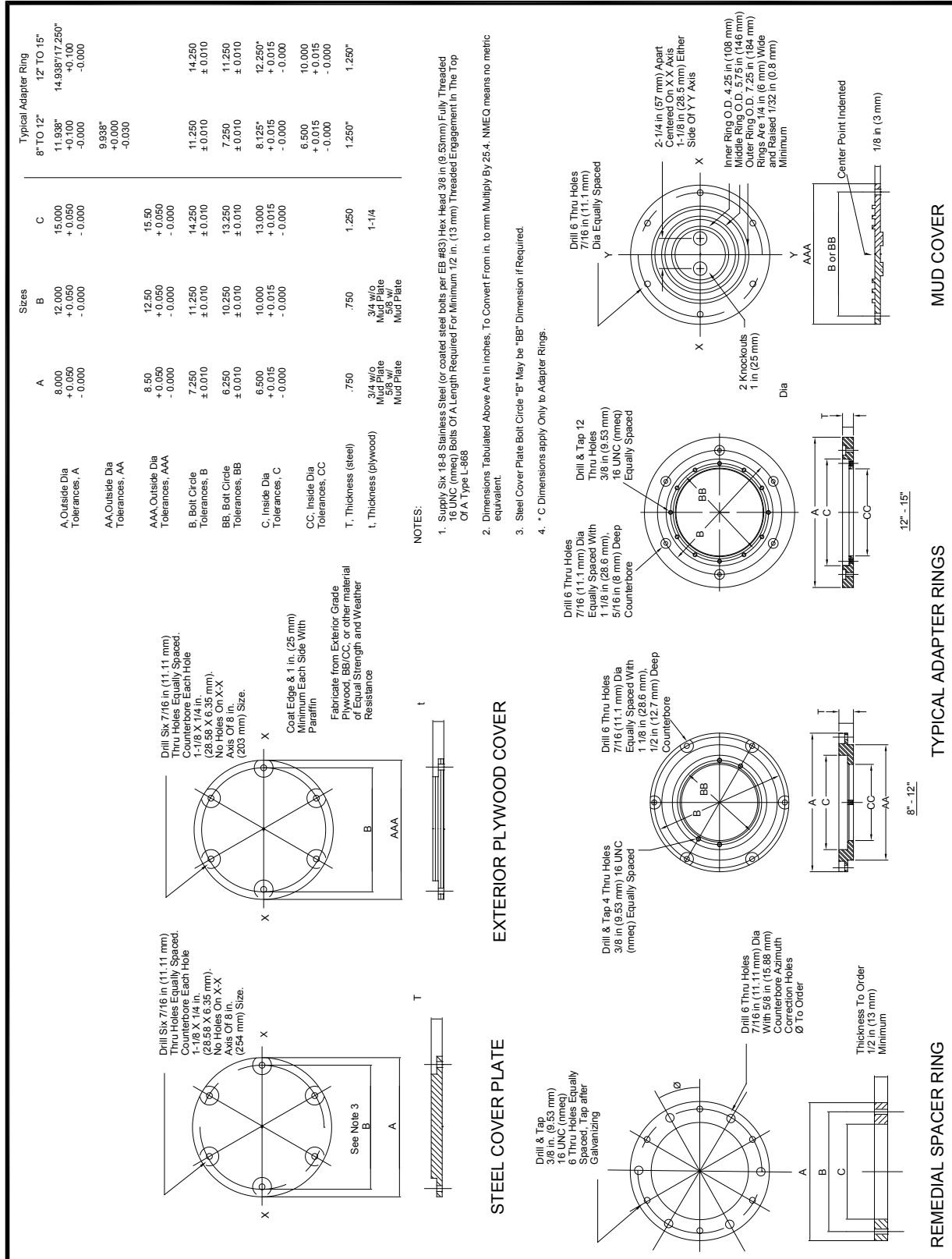


Figure 9. Accessories, Type L-868

Appendix

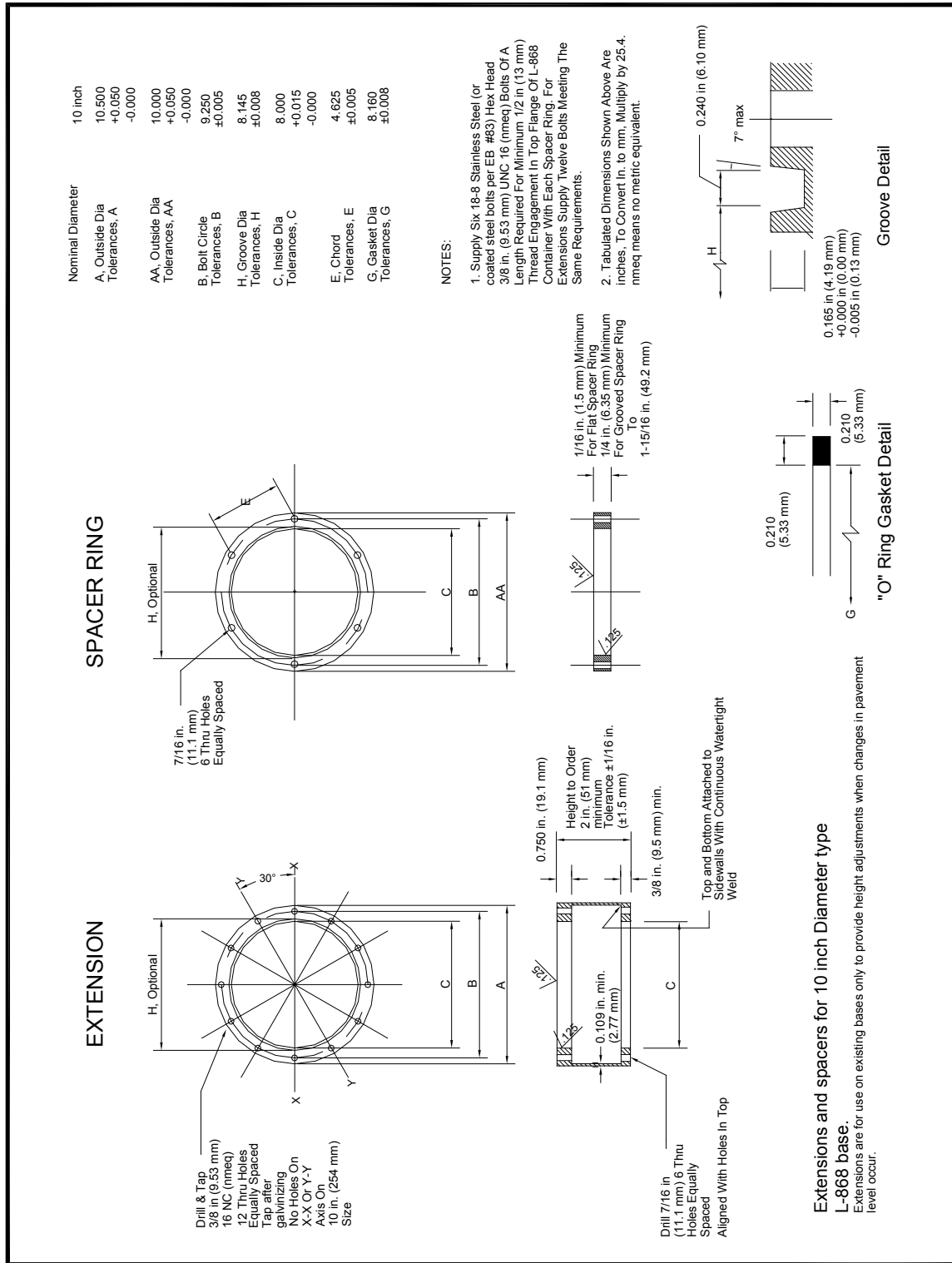


Figure A-1. Extensions and Spacers for 10-inch (254 mm) Diameter Type L-868 Base, for Maintenance of Existing Installations Only

**Intentionally left blank.**