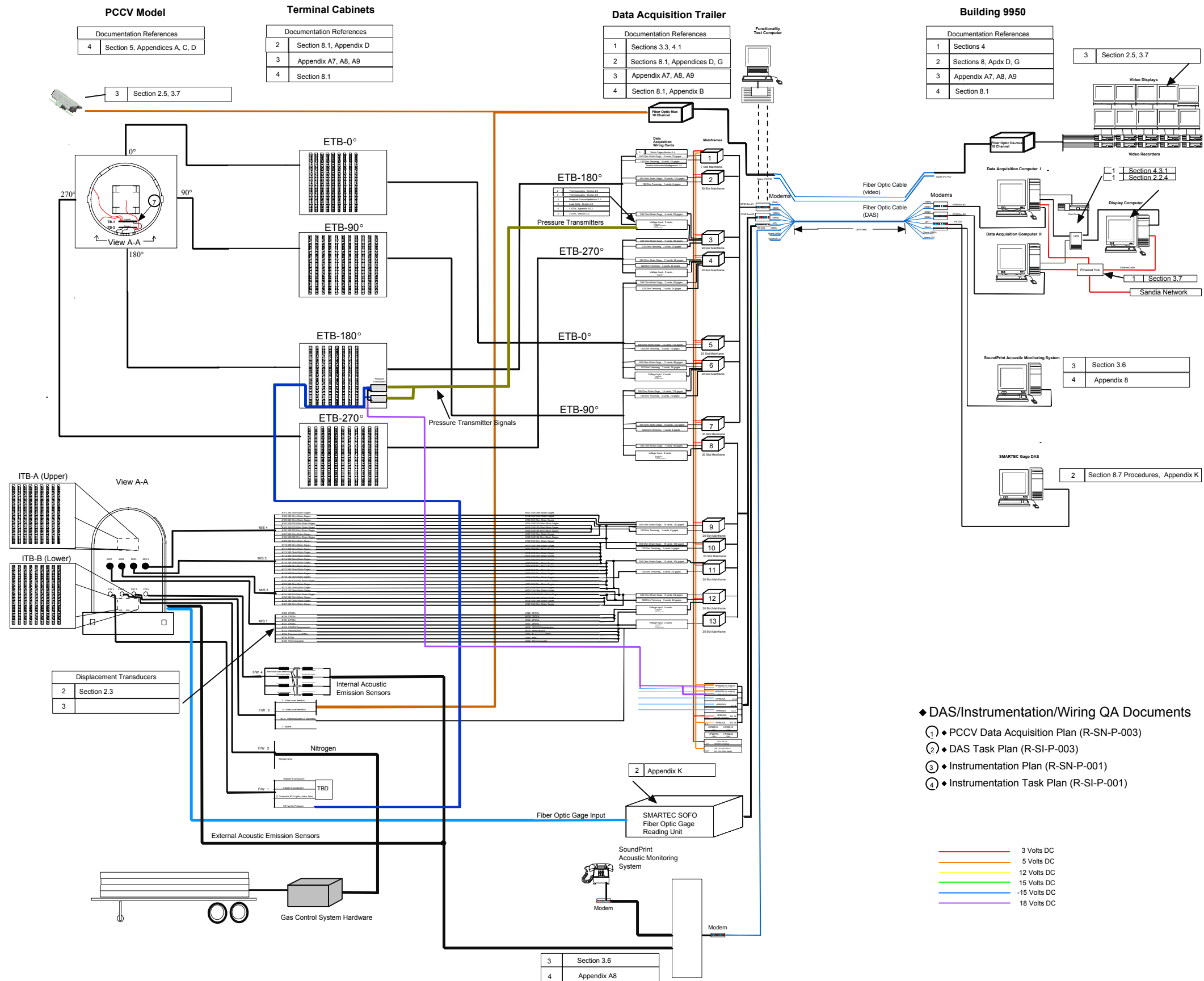


**Appendix F: Prestressed Concrete Containment Vessel Data Acquisition
System/Instrumentation Schematic**



◆ DAS/Instrumentation/Wiring QA Documents

- ① ◆ PCCV Data Acquisition Plan (R-SN-P-003)
- ② ◆ DAS Task Plan (R-SI-P-003)
- ③ ◆ Instrumentation Plan (R-SN-P-001)
- ④ ◆ Instrumentation Task Plan (R-SI-P-001)

