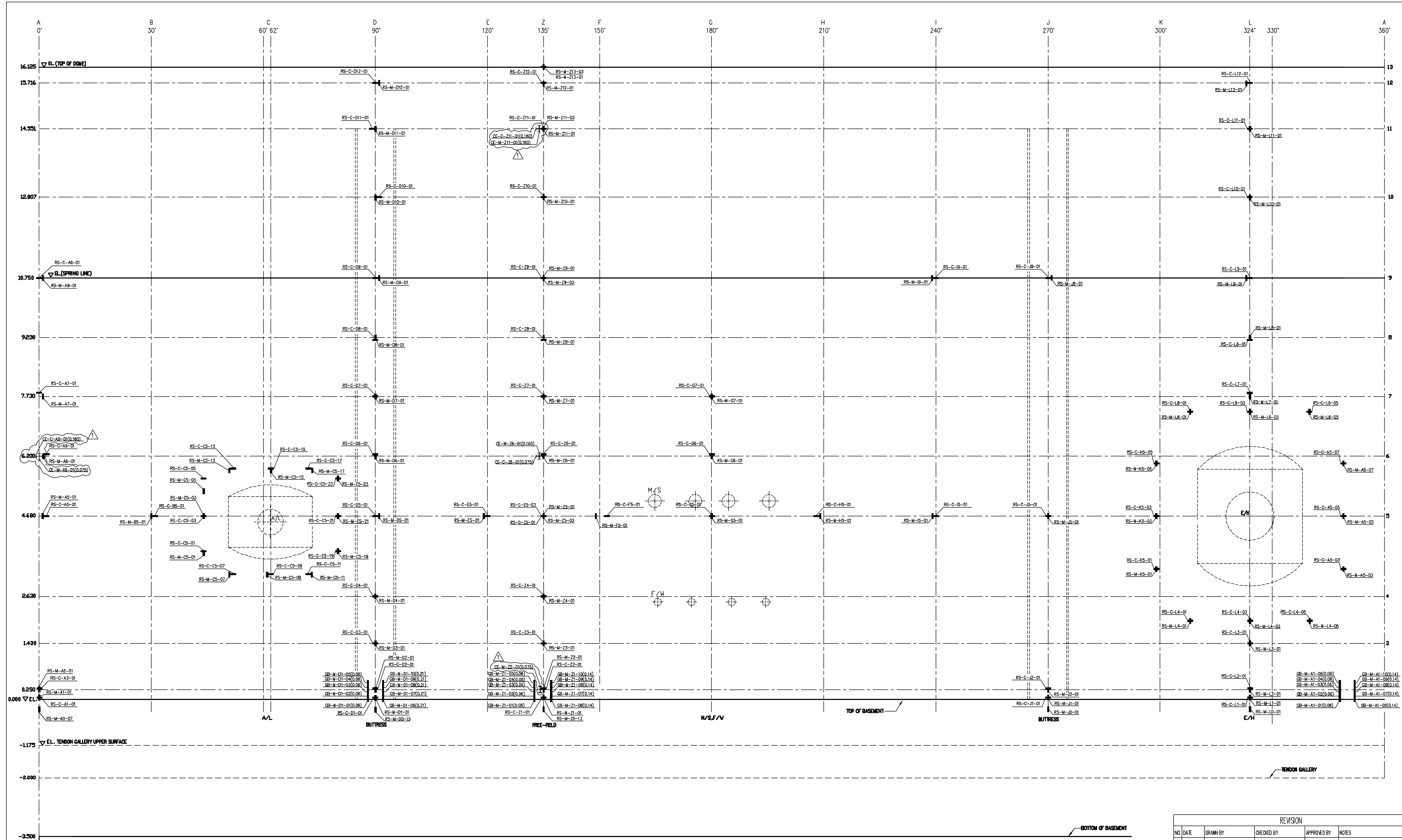


Appendix E: PCCV Instrumentation Layout Drawings

List of PCCV Instrumentation Layout Drawings

Number	Date	Rev	Description
D-SN-P-125	1/31/2001	1	Strain Gage Layout – Inner Rebar Layer
D-SN-P-126	1/31/2001	1	Strain Gage Layout – Outer Rebar Layers
D-SN-P-127	7/20/1999	0	Strain Gage Layout – Basemat Rebar
D-SN-P-128	1/31/2001	1	Strain Gage Layout – Tendons
D-SN-P-129	1/31/2002	1	Strain Gage Layout – Exterior Liner
D-SN-P-130	1/31/2002	1	Strain Gage Layout – Interior Liner
D-SN-P-131	1/31/2002	1	Displacement Transducer Layout
D-SN-P-132	1/31/2002	0	Temperature Sensor Layout
D-SN-P-133	1/31/2002	0	Displacement Transducer Fixtures
D-SN-P-206	7/20/1999	1	Instrumentation Liner Details – Gauges Installation Details
D-SN-P-207	7/20/1999	1	Instrumentation Liner Details – Basemat Liner Connection
D-SN-P-208	7/20/1999	1	Instrumentation Liner Details – Basemat Liner Connection
D-SN-P-209	7/20/1999	1	Instrumentation Liner Details – Detail a & b
D-SN-P-210	7/20/1999	1	Instrumentation Liner Details – Detail d
D-SN-P-211	7/20/1999	1	Instrumentation Liner Details – Detail e
D-SN-P-212	7/20/1999	1	Instrumentation Liner Details – Detail f
D-SN-P-213	7/20/1999	1	Instrumentation Liner Details – Detail g & h
D-SN-P-214	7/20/1999	1	Instrumentation Liner Details – Detail i & j
D-SN-P-215	7/20/1999	1	Instrumentation Liner Details – Detail k & l
D-SN-P-216	7/20/1999	1	Instrumentation Liner Details – Detail m
D-SN-P-217	7/20/1999	1	Instrumentation Liner Details – Detail n
D-SN-P-218	7/20/1999	0	Interior Liner Gage Layout – Equipment Hatch
D-SN-P-219	1/31/2001	1	Interior Liner Gage Layout – Airlock
D-SN-P-220	36360	0	Interior Liner Gage Layout – Main Steam and Feedwater



LEGEND

- M - Meridional Strain Gage (Vertical)
- C - Circumferential Strain Gage (Hoop)
- ⊥ CE - Embedded Concrete Fiber Optic Strain Gage
- () - Dimension shown after ID is Distance from Liner in Meters

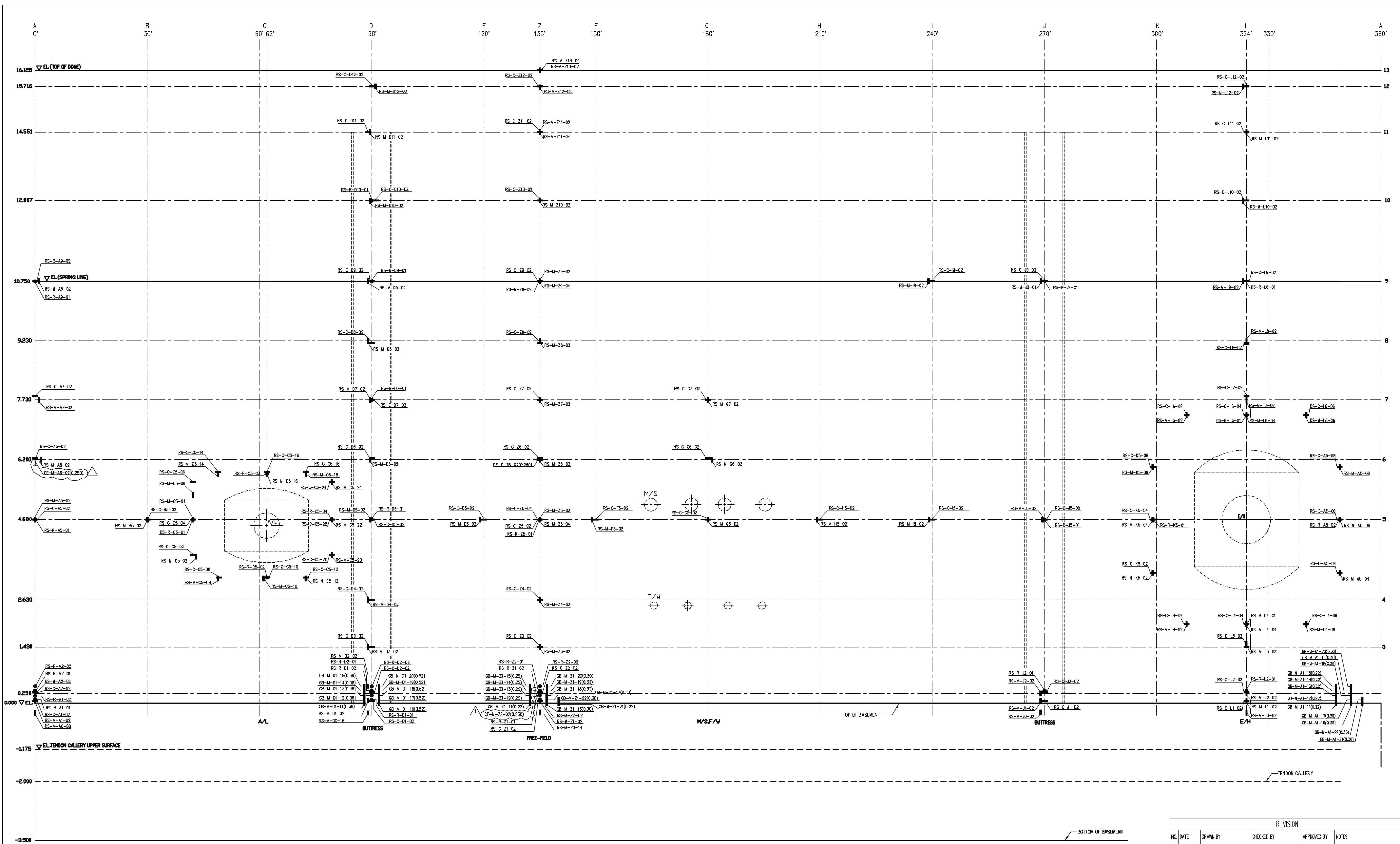
INNER REBAR - VIEW FROM INSIDE

REVISION					
NO.	DATE	DRAWN BY	CHECKED BY	APPROVED BY	NOTES
0	July 20, 1999	J. Tamaro			
1	Jan. 31, 2001	J. Tamaro			Added CE Gages

NUPEC/NRC PCCV STRUCTURAL BEHAVIOR TEST MODEL

DRAWING NO. D-SN-P-125 STRAIN GAGE LAYOUT INNER REBAR LAYER SCALE N.T.S.

SANDIA NATIONAL LABORATORIES FACILITIES ENGINEERING
ALBUQUERQUE, NEW MEXICO; LIVERMORE, CALIFORNIA; TONOPAH, NEVADA



LEGEND

- M – Meridional Strain Gage (Vertical)
- C – Circumferential Strain Gage (Hoop)
- R – Radial Strain Gage (Shear Tie)
- CE – Embedded Concrete Fiber Optic Strain Gage
- () – Dimension shown after ID is Distance from liner in Meters

OUTER REBAR - VIEW FROM INSIDE

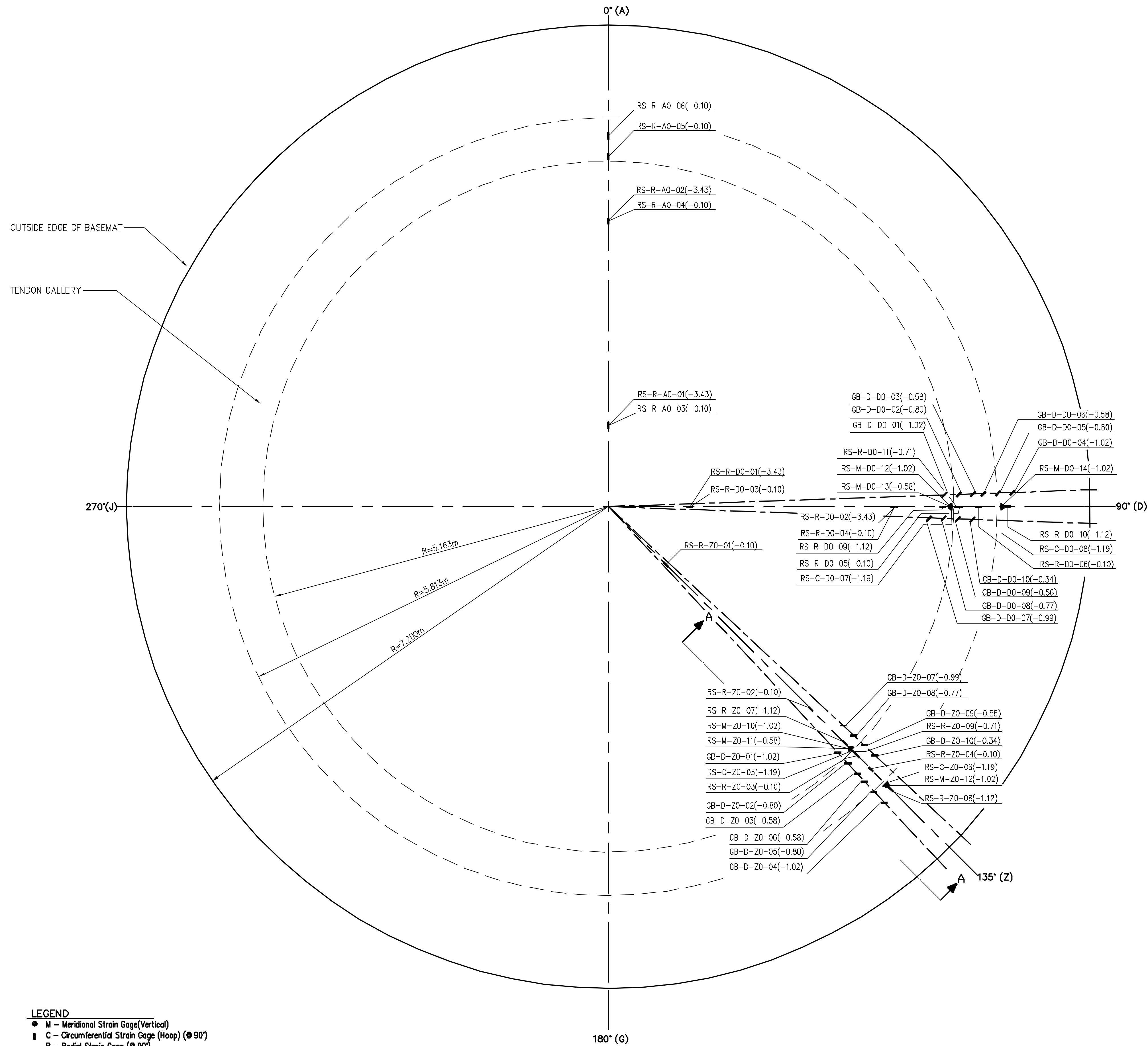
REVISION					
NO.	DATE	DRAWN BY	CHECKED BY	APPROVED BY	NOTES
0	July 20, 1999	J. Tenorio			
1	Jan. 31, 2001	J. Tenorio			Added CE Gages

NUPEC/NRC PCCV STRUCTURAL BEHAVIOR TEST MODEL

**STRAIN GAGE LAYOUT
OUTER REBAR LAYER**

DRAWING NO. **D-SN-P-128** SCALE **N.T.S.**

SANDIA NATIONAL LABORATORIES FACILITIES ENGINEERING
ALBUQUERQUE, NEW MEXICO; LIVERMORE, CALIFORNIA; TONOPAH, NEVADA

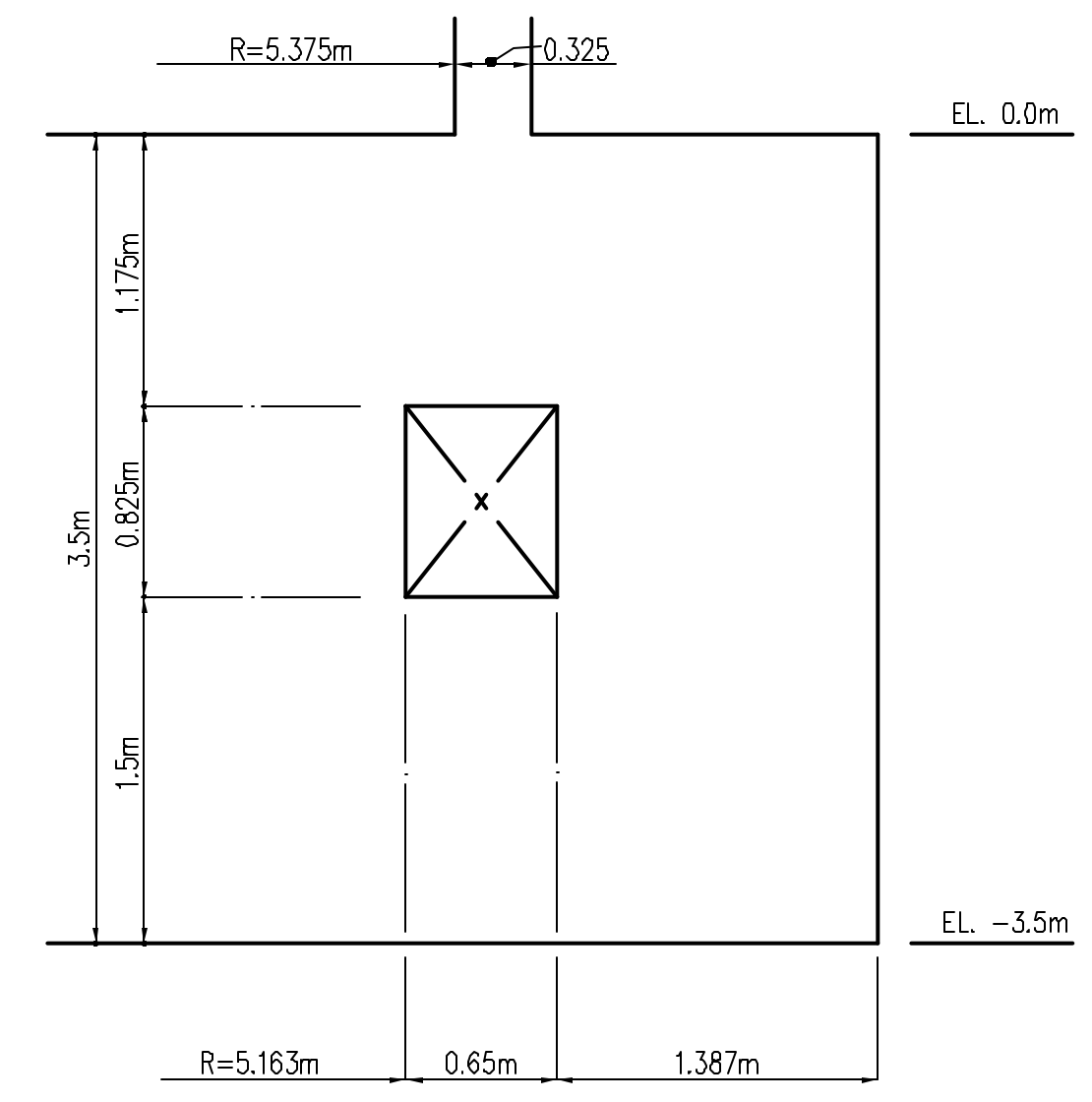


OUTSIDE EDGE OF BASEMAT

TENDON GALLERY

- LEGEND**
- M - Meridional Strain Gage (Vertical)
 - ⊖ C - Circumferential Strain Gage (Hoop) (⊙ 90°)
 - R - Radial Strain Gage (⊙ 90°)
 - ⚡ D - Diagonal Gage Bar Strain Gage (⊙ 90°)

BASEMAT REBAR - VIEW FROM ABOVE



A-A SECTION
SCALE - 1/24

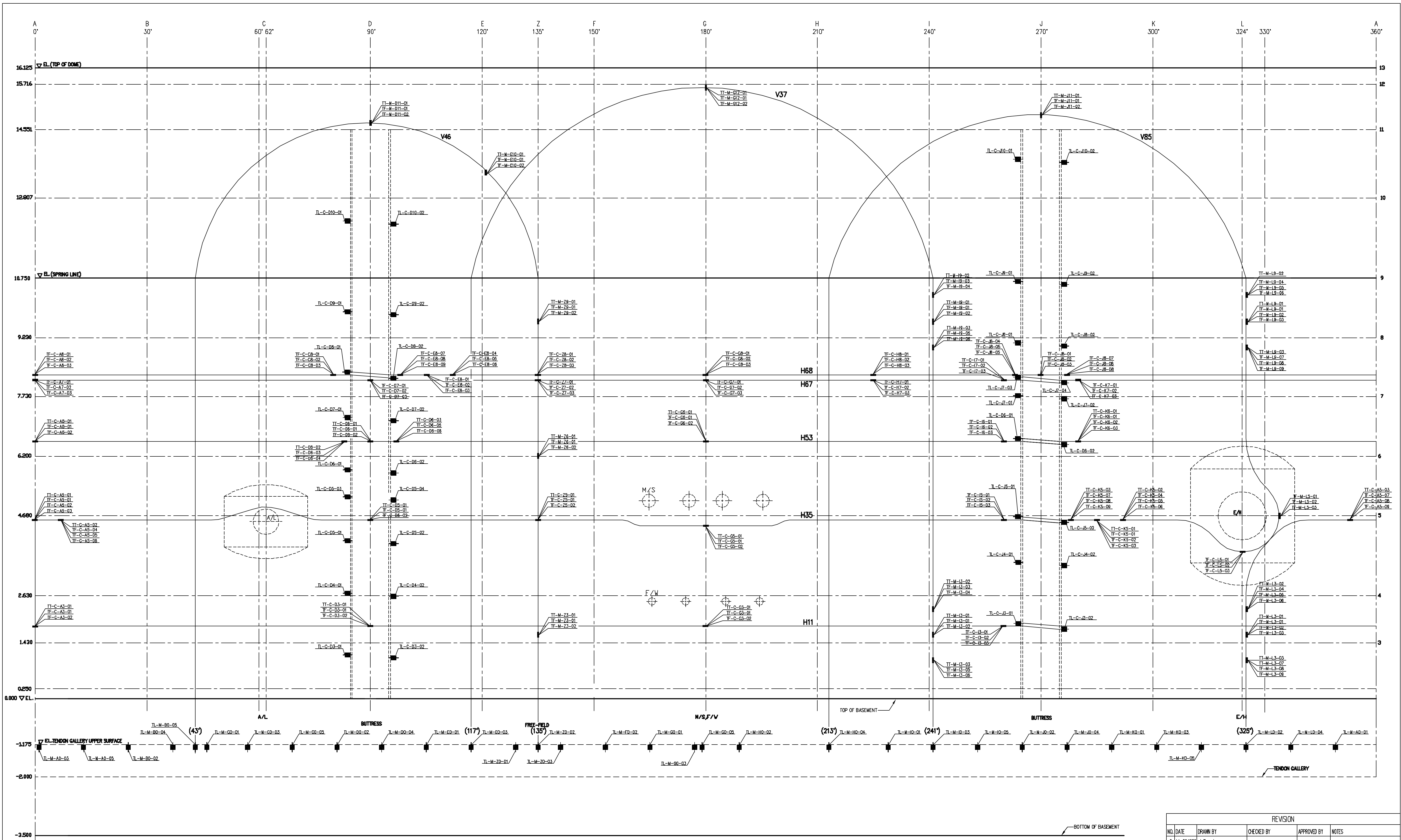
NOTE
VERTICAL ELEVATION SHOWN IN PARENTHESES (m).
0.0 ELEVATION IS TOP OF BASEMAT

REVISION					
NO.	DATE	DRAWN BY	CHECKED BY	APPROVED BY	NOTES
1	July 20, 1998	J. Teronjo			

NUPEC/NRC PCCV STRUCTURAL BEHAVIOR TEST MODEL

DRAWING NO. **D-SN-P-127** STRAIN GAGE LAYOUT BASEMAT REBAR SCALE **1/24**

SANDIA NATIONAL LABORATORIES FACILITIES ENGINEERING
ALBUQUERQUE, NEW MEXICO; LIVERMORE, CALIFORNIA; TONOPAH, NEVADA



LEGEND

- M – Meridional (Hairpin) Tendon Strain Gage Location
- C – Circumferential (Hoop) Tendon Strain Gage Location
- M – Meridional (Hairpin) Load Cell
- C – Circumferential (Hoop) Load Cell

NOTE: If 3 Locations are close on same tendon: All 3 Tendon Strands are Instrumented. Otherwise, only the #1 strand is Instrumented.

STRAIN GAGES AND LOAD CELLS ON TENDONS - VIEW FROM INSIDE

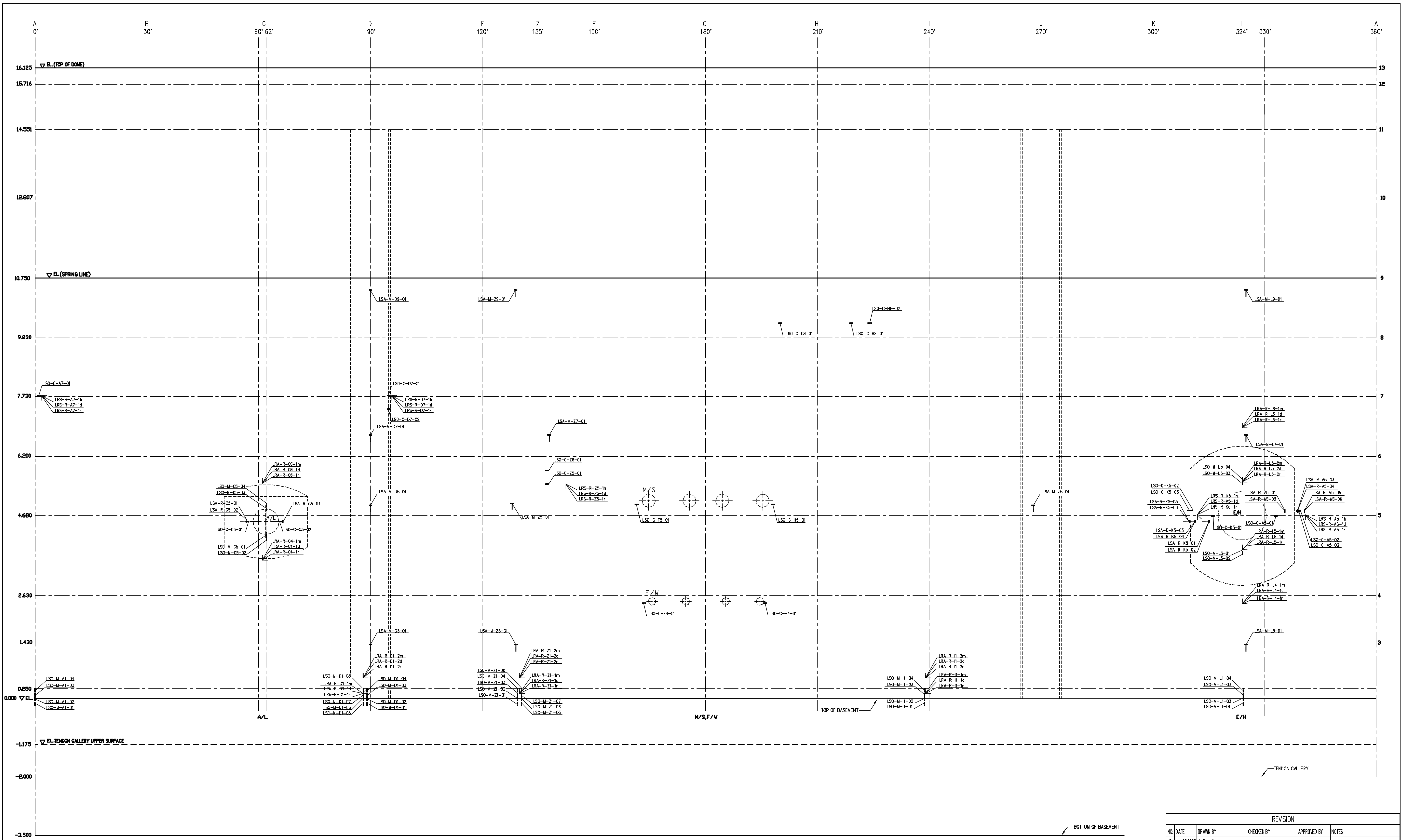
REVISION					
NO.	DATE	DRAWN BY	CHECKED BY	APPROVED BY	NOTES
0	July 20, 1999	J. Tenorio			
1	Jan. 31, 2001	J. Tenorio			Corrected Airpath Lines

NUPEC/NRC PCCV STRUCTURAL BEHAVIOR TEST MODEL

DRAWING NO. **D-SN-P-128** **STRAIN GAGE LAYOUT TENDONS** SCALE **N.T.S.**

SANDIA NATIONAL LABORATORIES FACILITIES ENGINEERING

ALBUQUERQUE, NEW MEXICO; LIVERMORE, CALIFORNIA; TONOPAH, NEVADA



- LEGEND**
- LSO-M Meridional (Vertical) Liner Strain Gage
 - LSO-C Circumferential (Hoop) Liner Strain Gage
 - ⊥ LSA-M Meridional (Vertical) Gage on Anchor Web.
 - ⊥ LSA-R Radial Gage on Anchor Web
 - ⊥ LRA - Rosette on Vertical Liner Anchor Web
 - ⊥ LRS - Rosette on Horizontal Liner Stiffener

NOTE: For Rosette Gage ID's ending in:
 m - meridional direction
 h - hoop direction
 r - radial direction
 d - diagonal direction

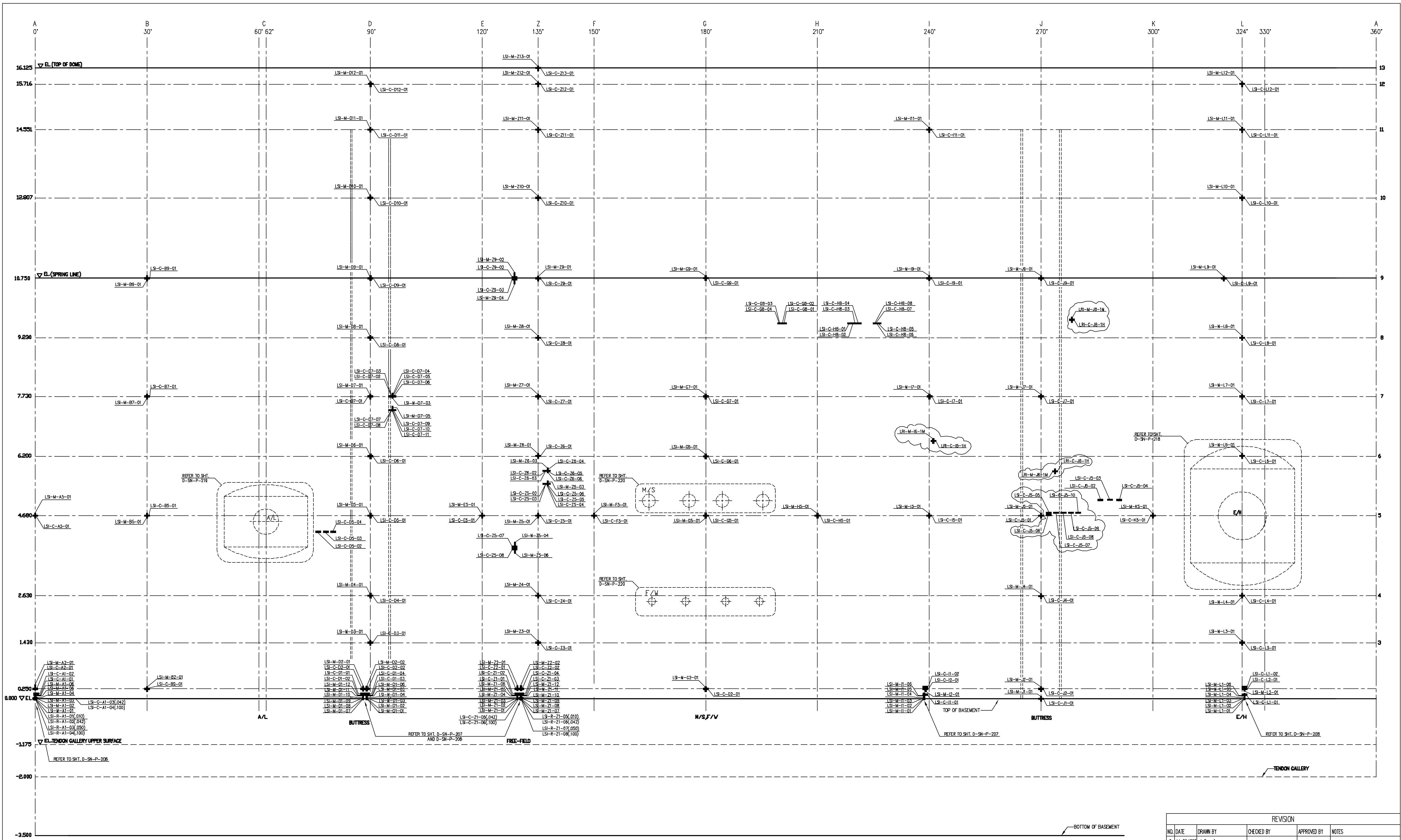
STRAIN GAGES ON LINER EXTERIOR - VIEW FROM INSIDE

REVISION					
NO.	DATE	DRAWN BY	CHECKED BY	APPROVED BY	NOTES
0	July 20, 1995	J. Tenorio			
1	Jan. 31, 2001	J. Tenorio			Corrected Azimuth Lines

NUPEC/NRC PCCV STRUCTURAL BEHAVIOR TEST MODEL

DRAWING NO. **D-SN-P-129** **STRAIN GAGE LAYOUT EXTERIOR LINER** SCALE **N.T.S.**

SANDIA NATIONAL LABORATORIES FACILITIES ENGINEERING
 ALBUQUERQUE, NEW MEXICO; LIVERMORE, CALIFORNIA; TONOPAH, NEVADA



LEGEND

- M – Meridional Strain Gage (Vertical)
- C – Circumferential Strain Gage (Hoop)
- R – Radial Strain Gage (on Basement Liner Only)
- () – Dimension shown after ID is Distance from Cylinder liner in Meters

STRAIN GAGES ON LINER INTERIOR - VIEW FROM INSIDE

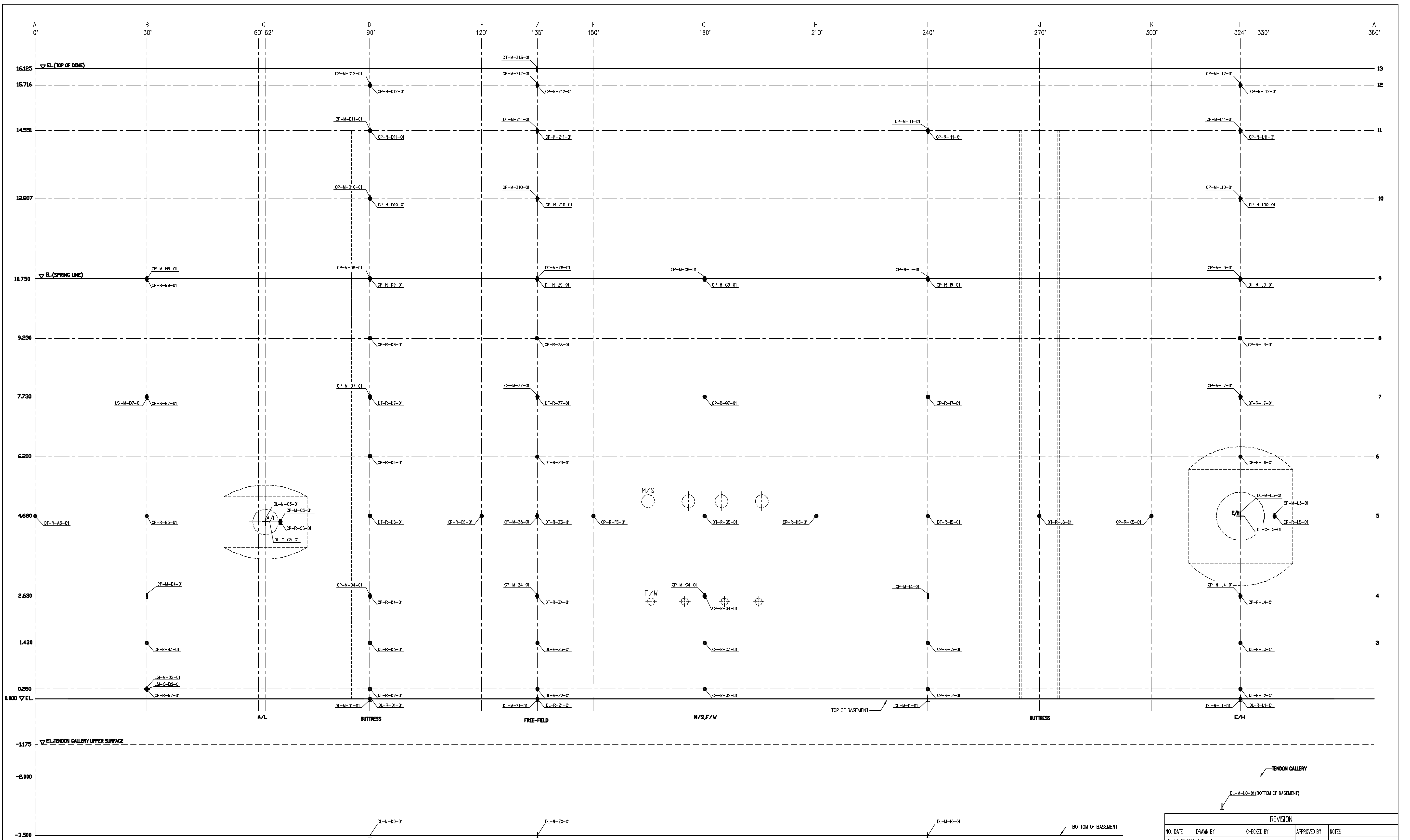
REVISION					
NO.	DATE	DRAWN BY	CHECKED BY	APPROVED BY	NOTES
0	July 20, 1998	J. Tenorio			
1	Jan 31, 2001	J. Tenorio			Added Gages

NUPEC/NRC PCCV STRUCTURAL BEHAVIOR TEST MODEL

DRAWING NO. **D-SN-P-130** **STRAIN GAGE LAYOUT INTERIOR LINER** SCALE: **N.T.S.**

SANDIA NATIONAL LABORATORIES ENGINEERING

ALBUQUERQUE, NEW MEXICO; LIVERMORE, CALIFORNIA; TONOPAH, NEVADA

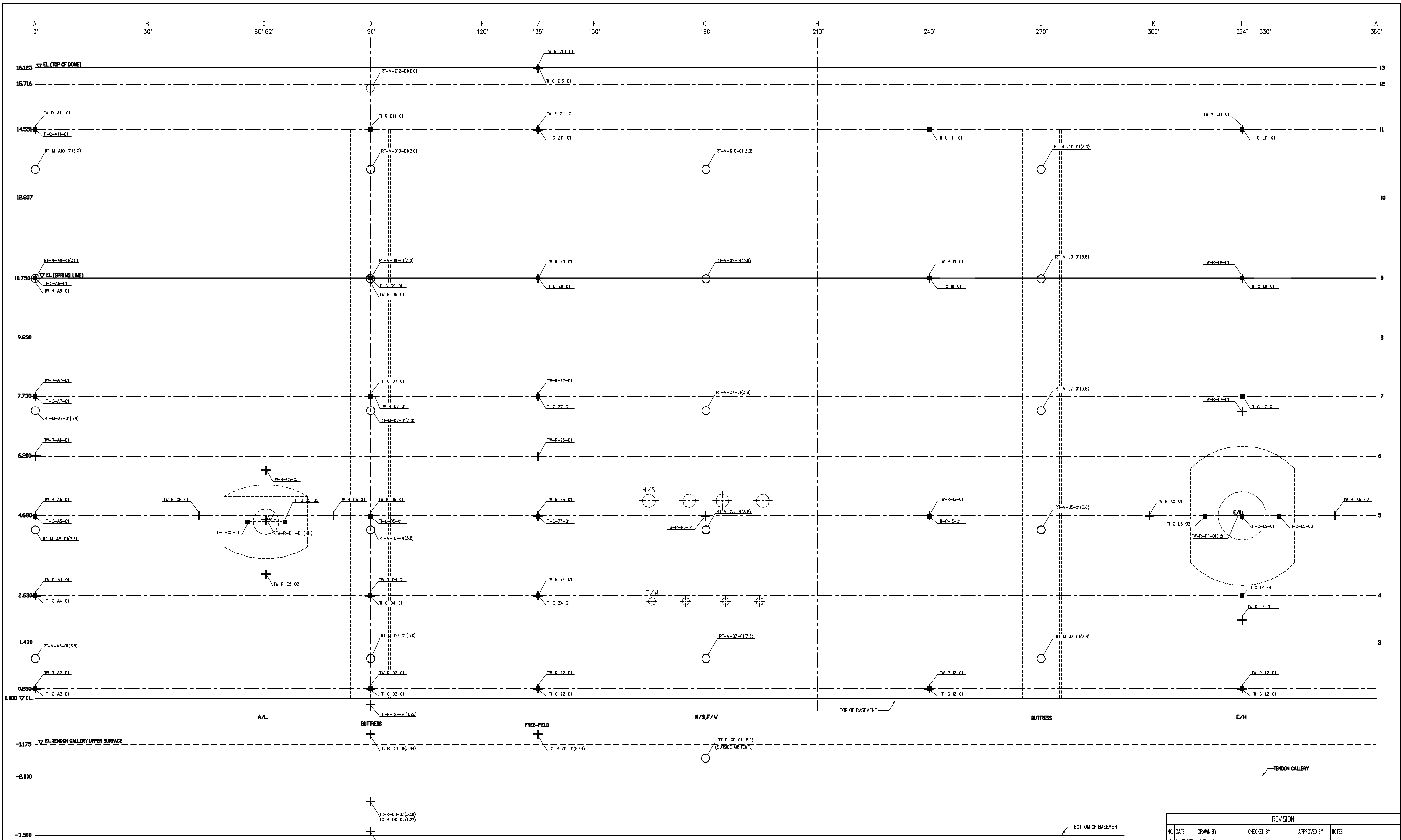


LEGEND

- M - Meridional Interior Displacement (Vertical)
- R - Radial Interior Displacement (Horizontal)
- ⊥ M - Meridional Exterior displacement (Vertical)
- + M & C - Meridional and Circumferential Barrel Diameters (Vertical & Horizontal)

DISPLACEMENT TRANSDUCERS (INTERNAL & EXTERNAL) - VIEW FROM INSIDE

REVISION					
NO.	DATE	DRAWN BY	CHECKED BY	APPROVED BY	NOTES
0	July 20 1999	J. Tenorio			
1	Jan. 31, 2001	J. Tenorio			Corrected Asbuilt lines
<p align="center">NUPEC/NRC PCCV STRUCTURAL BEHAVIOR TEST MODEL</p> <p align="center">DRAWING NO. D-SN-P-131 DISPLACEMENT TRANSDUCER LAYOUT SCALE N.T.S.</p> <p align="center">SANDIA NATIONAL LABORATORIES FACILITIES ENGINEERING ALBUQUERQUE, NEW MEXICO; LIVERMORE, CALIFORNIA; TONOPAH, NEVADA</p>					

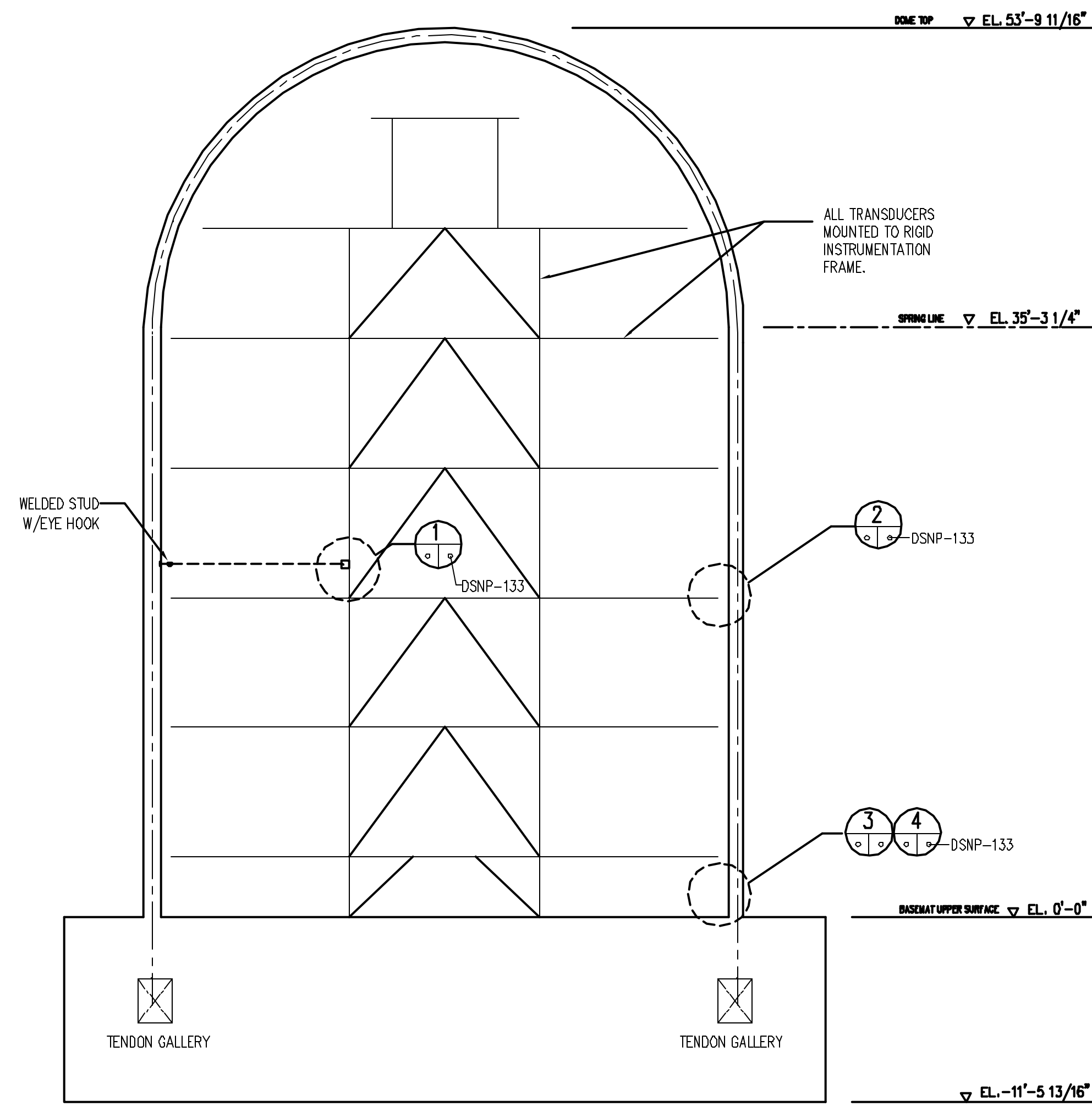


- LEGEND**
- + TC, TW - Thermocouple (Embedded in Concrete)
 - TI - Thermocouple (Inside Liner Surface)
 - RT - RTD (Inside Air)
 - () Dimension show after I.D. is distance From Centerline in Meters
 - ⊙ On Barrel Displacement Hardware

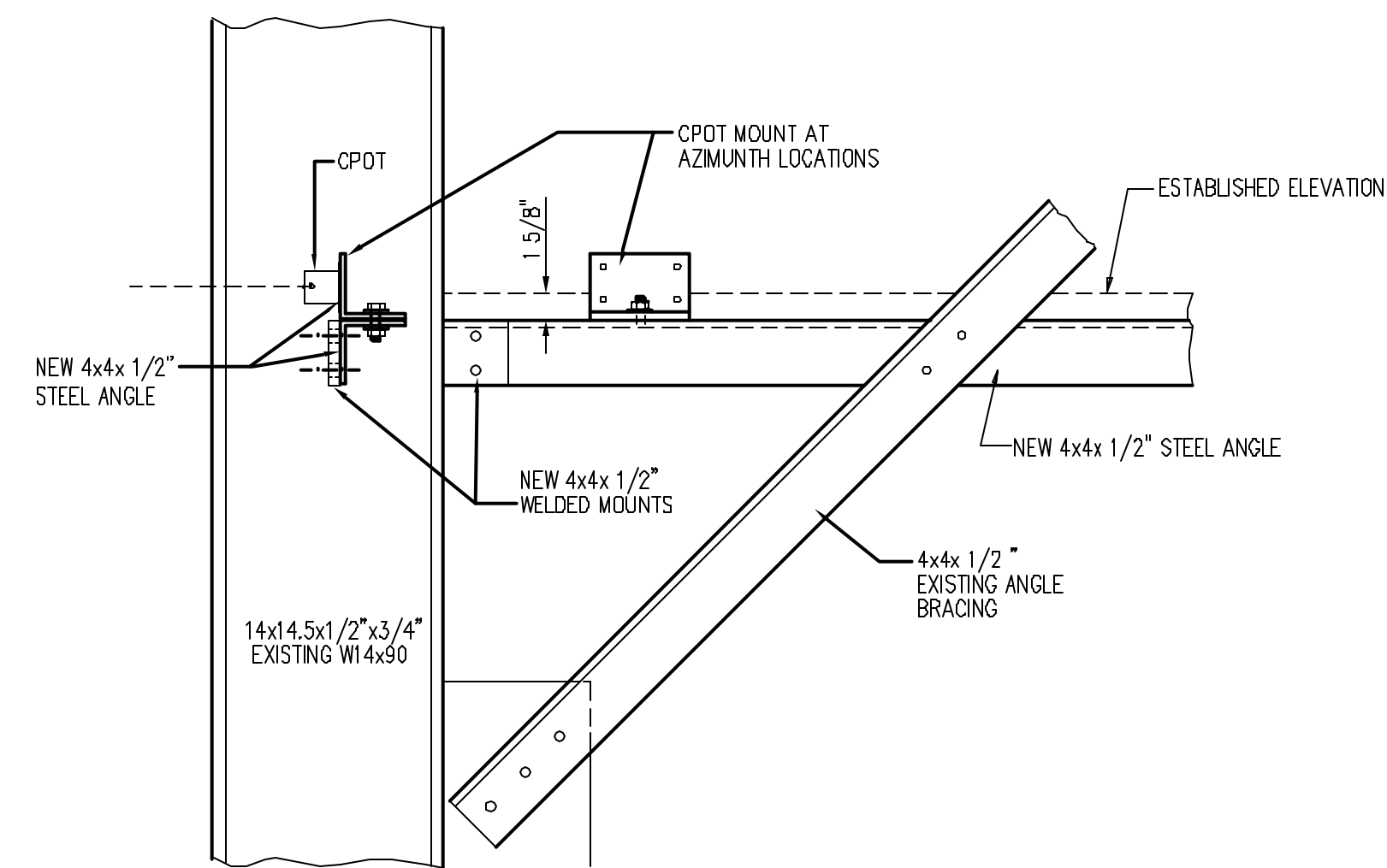
TEMPERATURE SENSORS - VIEW FROM INSIDE

REVISION					
NO.	DATE	DRAWN BY	CHECKED BY	APPROVED BY	NOTES
0	Jan 31, 2001	J. Tenorio			

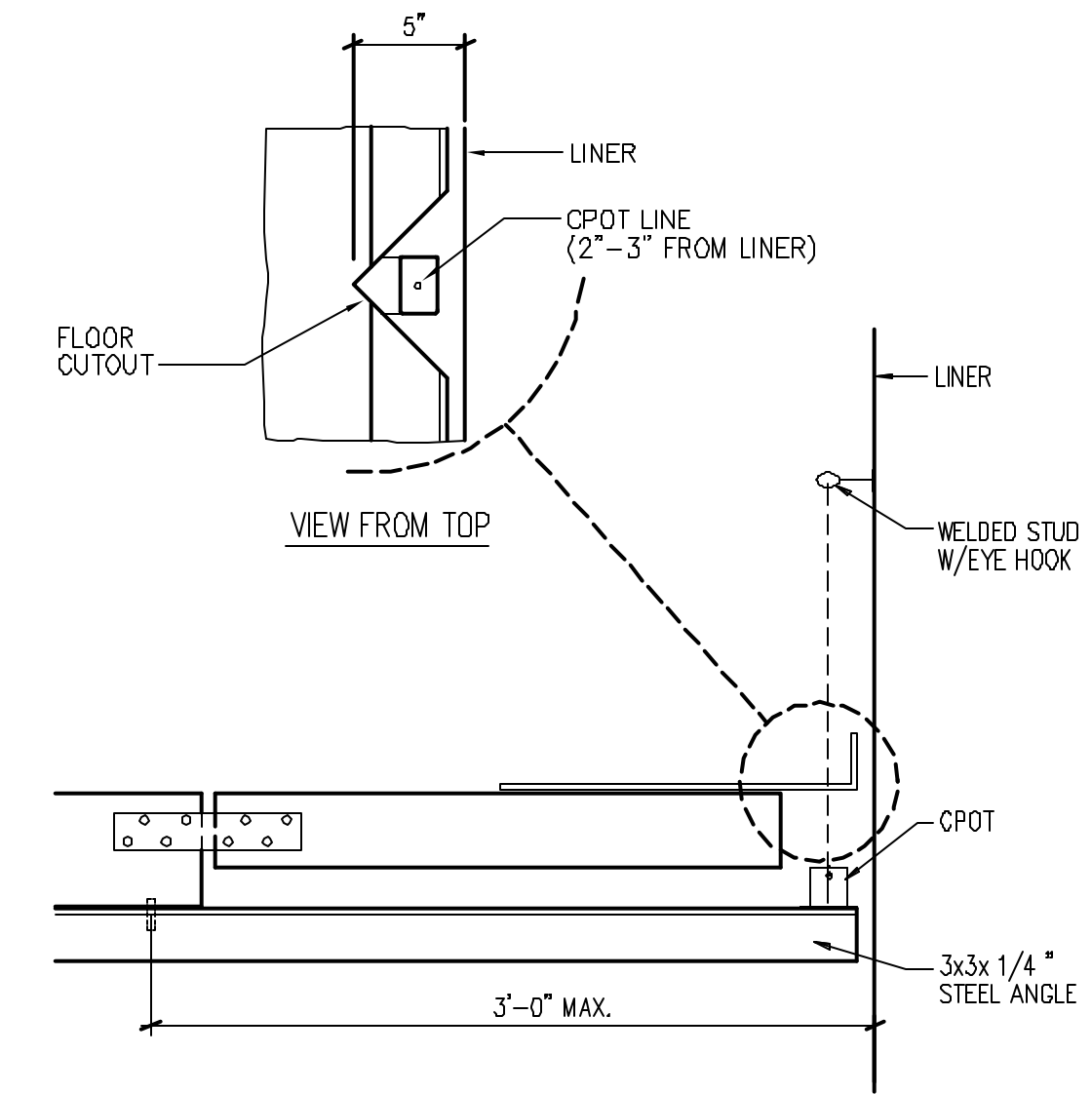
NUPEC/NRC PCCV STRUCTURAL BEHAVIOR TEST MODEL
 DRAWING NO. D-SN-P-132 TEMPERATURE SENSOR LAYOUT SCALE: N.T.S.
 SANDIA NATIONAL LABORATORIES FACILITIES ENGINEERING
 ALBUQUERQUE, NEW MEXICO; LIVERMORE, CALIFORNIA; TONOPAH, NEVADA



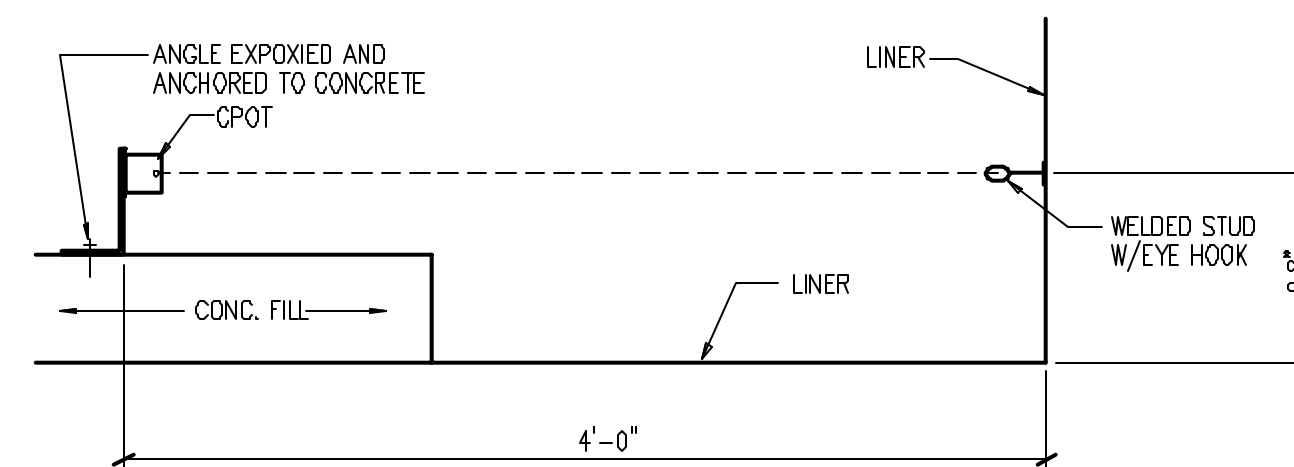
A PCCV ELEVATION
DSNP-133



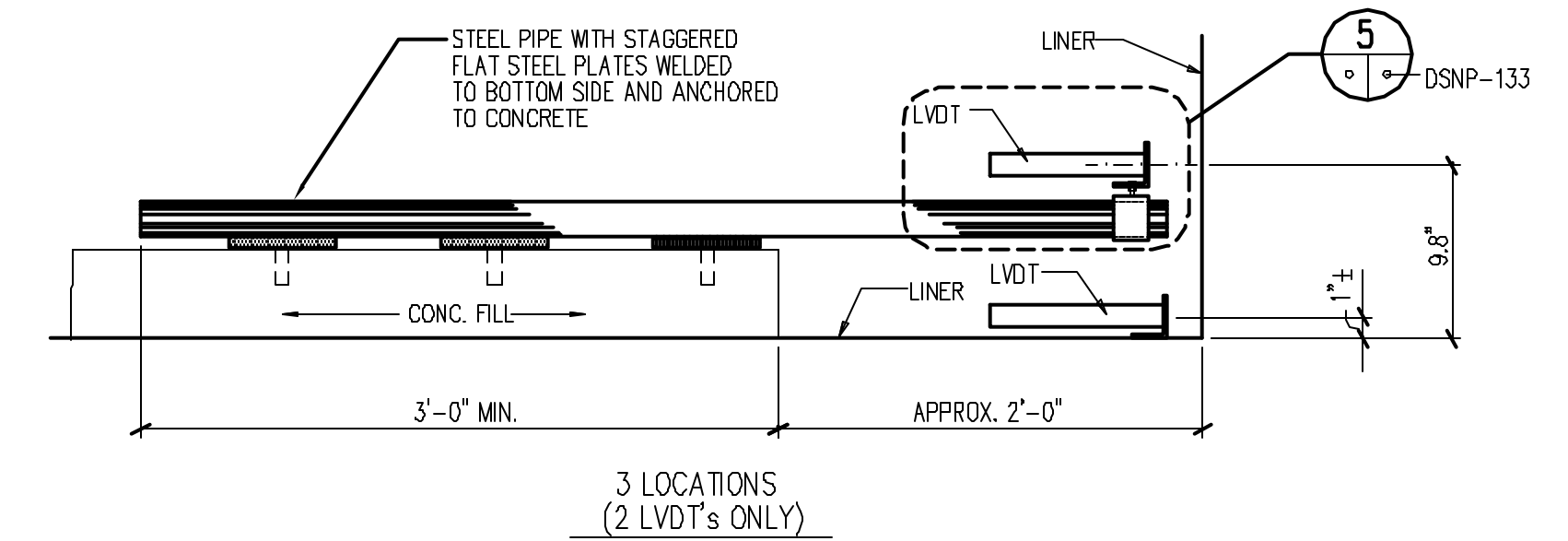
1 TYPICAL RADIAL CPOT MOUNTING
DSNP-133



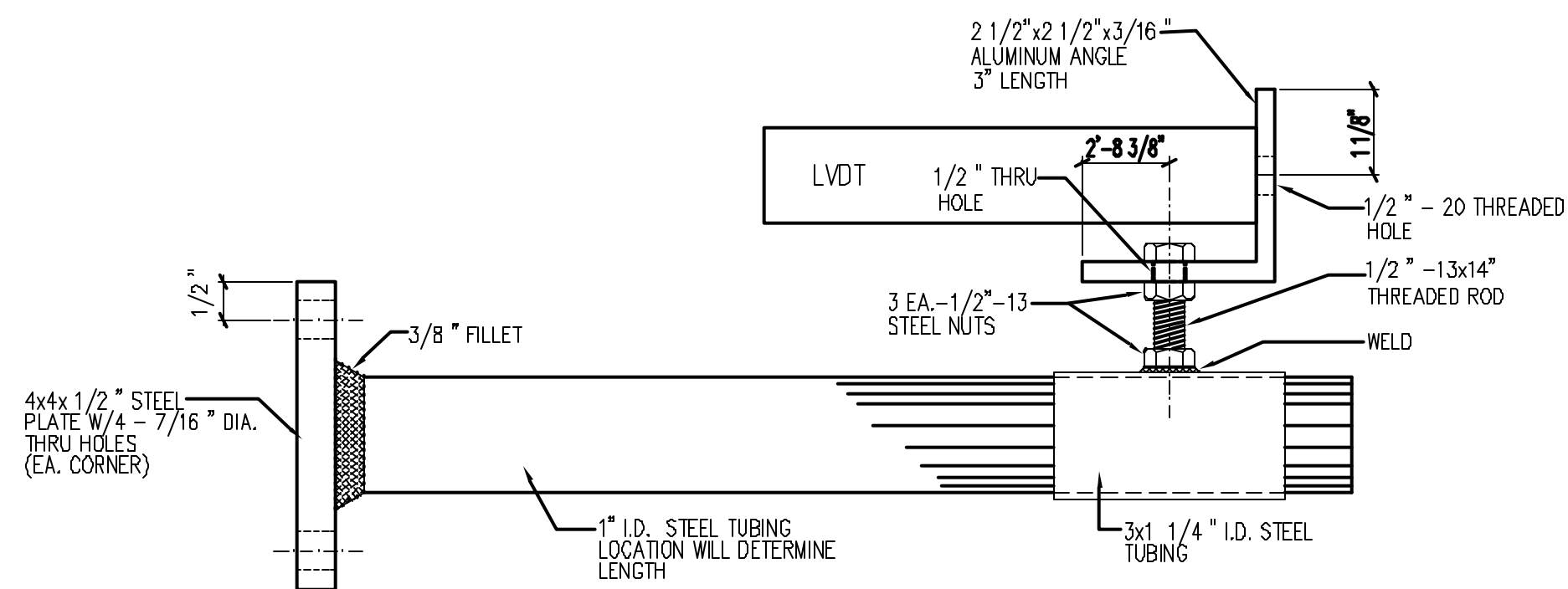
2 TYPICAL VERTICAL CPOT MOUNTING
DSNP-133



3 CPOT MOUNTED ON BASEMAT
DSNP-133

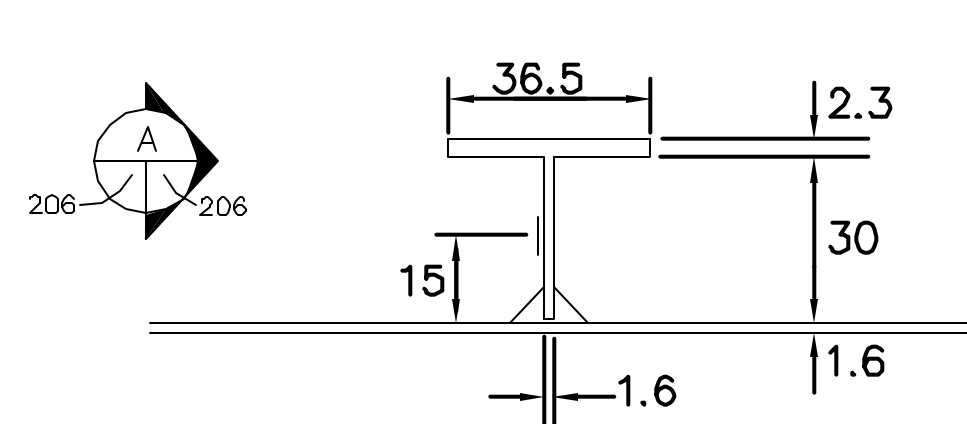


4 LVDT'S MOUNTED ON BASEMAT
DSNP-133



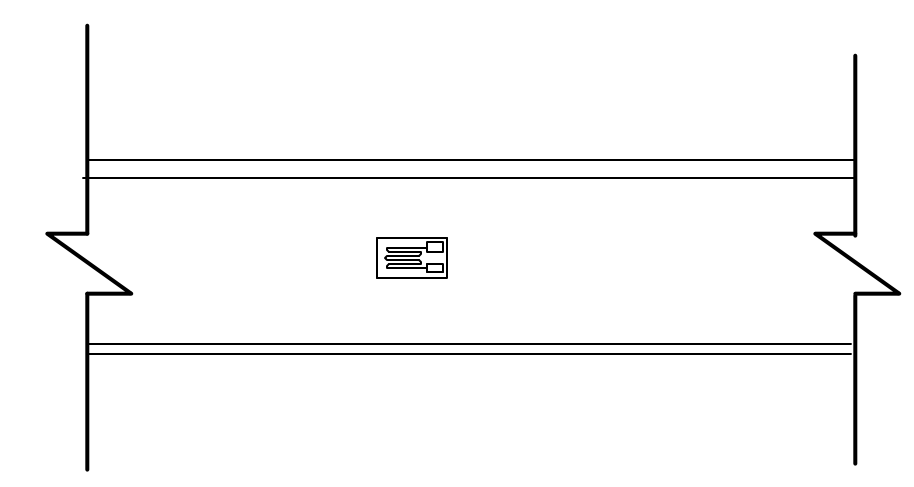
5 RADIAL LVDT MOUNTING HARDWARE
DSNP-133

REVISION					
NO.	DATE	DRAWN BY	CHECKED BY	APPROVED BY	NOTES
0	Jan. 31, 2001	J. Tenorio			
NUPEC/NRC PCCV STRUCTURAL BEHAVIOR TEST MODEL DRAWING NO. D-SN-P-133 DISPLACEMENT TRANSDUCER FIXTURES SCALE 1/1					
SANDIA NATIONAL LABORATORIES FACILITIES ENGINEERING ALBUQUERQUE, NEW MEXICO; LIVERMORE, CALIFORNIA; TONOPAH, NEVADA					



1 TYPICAL ANCHOR WEB GAUGE

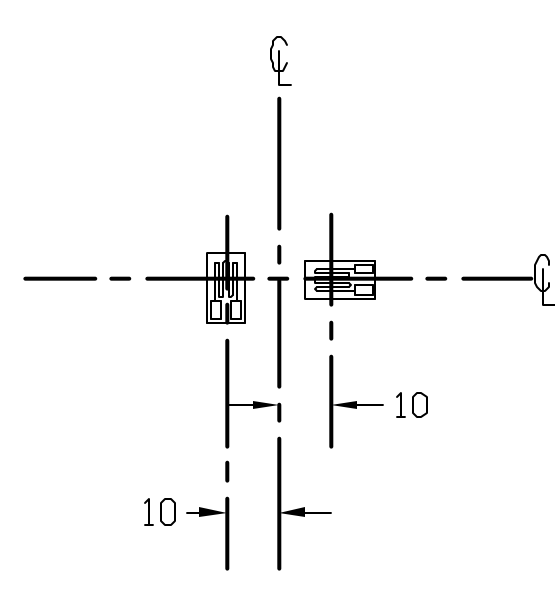
ZCD1002Ai
ZCD1007Ai
ZCD1008Ai
ZCD1009Ai
200
201
202
203
204



A SIDE VIEW

206

ANCHOR GAGE LOCATIONS			
LABELING ID	AZIMUTHAL ANGLE (deg)	VERTICAL ELEVATION (in)	LINER MARK #
LSA-M-D3-01	90	53.1	1-3B
LSA-M-D5-01	90	194.9	3-4C
LSA-M-D7-01	90	301.2	4-3B
LSA-M-D9-01	90	411.4	5-4B
LSA-M-Z3-01	129	53.1	1-4B
LSA-M-Z5-01	128	194.9	3-5C
LSA-M-Z7-01	138	301.2	4-5B
LSA-M-Z9-01	129	411.4	5-6B
LSA-M-J5-01	268	194.9	3-9C
LSA-M-L3-01	325	53.1	1-11B
LSA-M-L7-01	325	301.2	4-10B
LSA-M-L9-01	325	411.4	5-13B



2 TYPICAL VERTICAL AND HOOP GAUGE

ZCD1002Ai
ZCD1007Ai
ZCD1008Ai
ZCD1009Ai
200
201
202
203
204

FREE FIELD LINER GAGE LOCATIONS								
LABELING ID	AZIMUTHAL ANGLE (deg)	VERTICAL ELEVATION (in)	LABELING ID	AZIMUTHAL ANGLE (deg)	VERTICAL ELEVATION (in)	LABELING ID	AZIMUTHAL ANGLE (deg)	VERTICAL ELEVATION (in)
LSI-C-A2-01	0	9.8	LSI-C-D11-01	90	572.9	LSI-C-G2-01	180	9.8
LSI-M-A2-01	0	9.8	LSI-M-D11-01	90	572.9	LSI-M-G2-01	180	9.8
LSI-C-A5-01	0	184.3	LSI-C-D12-01	90	618.7	LSI-C-G5-01	180	184.3
LSI-M-A5-01	0	184.3	LSI-M-D12-01	90	618.7	LSI-M-G5-01	180	184.3
LSI-C-B2-01	30	9.8	LSI-C-E5-01	120	184.3	LSI-C-G6-01	180	244.1
LSI-M-B2-01	30	9.8	LSI-M-E5-01	120	184.3	LSI-M-G6-01	180	244.1
LSI-C-B5-01	30	184.3	LSI-C-Z2-01	129.5	9.8	LSI-C-G7-01	180	304.3
LSI-M-B5-01	30	184.3	LSI-M-Z2-01	129.5	9.8	LSI-M-G7-01	180	304.3
LSI-C-B7-01	30	304.3	LSI-C-Z2-02	130.4	9.8	LSI-C-G9-01	180	423.2
LSI-M-B7-01	30	304.3	LSI-M-Z2-02	130.4	9.8	LSI-M-G9-01	180	423.2
LSI-C-B9-01	30	423.2	LSI-C-Z3-01	135	56.3	LSI-C-H5-01	210	184.3
LSI-M-B9-01	30	423.2	LSI-M-Z3-01	135	56.3	LSI-M-H5-01	210	184.3
LSI-C-C6-01	62	184.3	LSI-C-Z4-01	135	103.5	LSI-C-I2-01	239.4	9.8
LSI-M-C6-01	62	184.3	LSI-M-Z4-01	135	103.5	LSI-M-I2-01	239.4	9.8
LSI-C-D2-01	88.9	9.8	LSI-C-Z5-01	135	184.3	LSI-C-I5-01	240	184.3
LSI-M-D2-01	88.9	9.8	LSI-M-Z5-01	135	184.3	LSI-M-I5-01	240	184.3
LSI-C-D2-02	89.6	9.8	LSI-C-Z6-01	135	244.1	LSI-C-I7-01	240	304.3
LSI-M-D2-02	89.6	9.8	LSI-M-Z6-01	135	244.1	LSI-M-I7-01	240	304.3
LSI-C-D3-01	90	56.3	LSI-C-Z7-01	135	304.3	LSI-C-I9-01	240	423.2
LSI-M-D3-01	90	56.3	LSI-M-Z7-01	135	304.3	LSI-M-I9-01	240	423.2
LSI-C-D4-01	90	103.5	LSI-C-Z8-01	135	363.4	LSI-C-I11-01	240	572.9
LSI-M-D4-01	90	103.5	LSI-M-Z8-01	135	363.4	LSI-M-I11-01	240	572.9
LSI-C-D5-01	90	184.3	LSI-C-Z9-01	135	423.2	LSI-C-I1-01	270	0.0
LSI-M-D5-01	90	184.3	LSI-M-Z9-01	135	423.2	LSI-M-I1-01	270	0.0
LSI-C-D6-01	90	244.1	LSI-C-Z10-01	135	504.2	LSI-C-I2-01	270	9.8
LSI-M-D6-01	90	244.1	LSI-M-Z10-01	135	504.2	LSI-M-I2-01	270	9.8
LSI-C-D7-01	90	304.3	LSI-C-Z11-01	135	572.9	LSI-C-I4-01	270	103.5
LSI-M-D7-01	90	304.3	LSI-M-Z11-01	135	572.9	LSI-M-I4-01	270	103.5
LSI-C-D8-01	90	363.4	LSI-C-Z12-01	135	618.7	LSI-C-I5-01	270	184.3
LSI-M-D8-01	90	363.4	LSI-M-Z12-01	135	618.7	LSI-M-I5-01	270	184.3
LSI-C-D9-01	90	423.2	LSI-C-Z13-01	135	634.8	LSI-C-I7-01	270	304.3
LSI-M-D9-01	90	423.2	LSI-M-Z13-01	135	634.8	LSI-M-I7-01	270	304.3
LSI-C-D10-01	90	504.2	LSI-C-F5-01	150	184.3	LSI-C-I9-01	270	423.2
LSI-M-D10-01	90	504.2	LSI-M-F5-01	150	184.3	LSI-M-I9-01	270	423.2

HOOP ONLY GAGES		
LABELING ID	AZIMUTHAL ANGLE (deg)	VERTICAL ELEVATION (in)
LSI-C-D5-02	76.8	168
LSI-C-D5-03	78.4	168
LSI-C-D5-04	80	168
LSI-C-J5-02	286	200
LSI-C-J5-03	288.5	200
LSI-C-J5-04	291	200

NOTE:

ANCHOR WEB GAUGE LOCATIONS SHOWN ON DRAWINGS ZCD1002Ai, ZCD1007Ai, ZCD1008Ai, AND ZCD1009Ai

ALL DIMENSIONS SHOWN IN MM

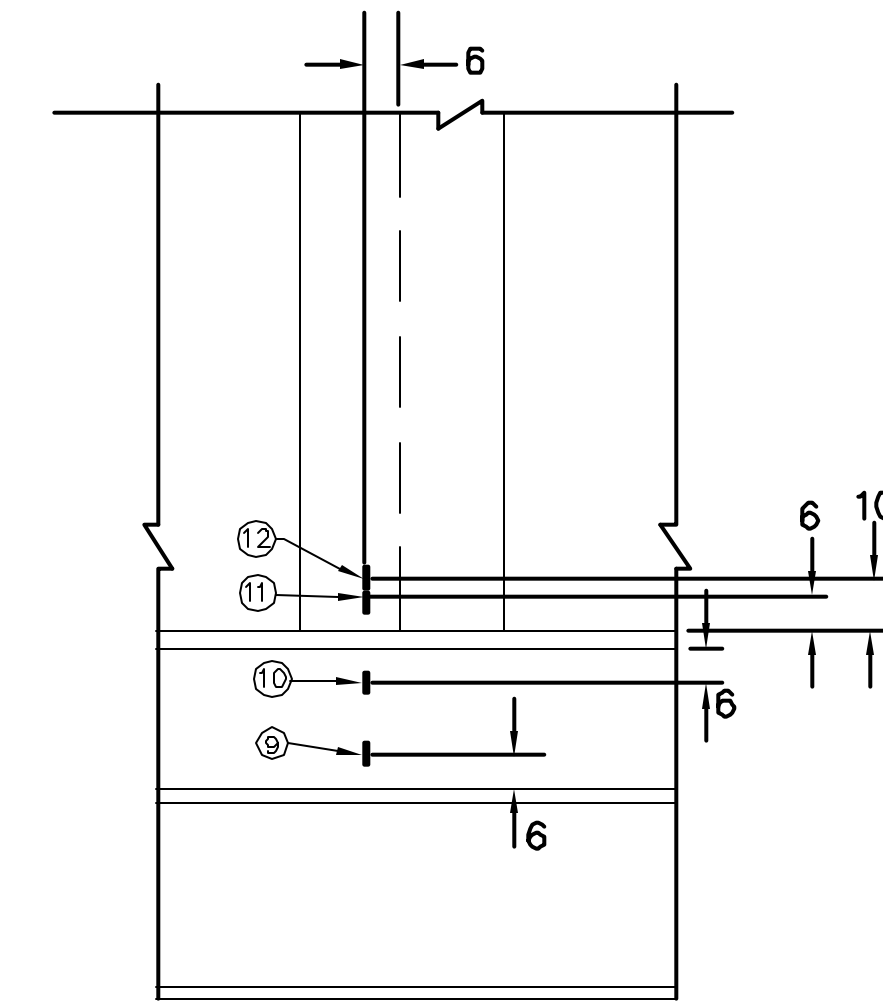
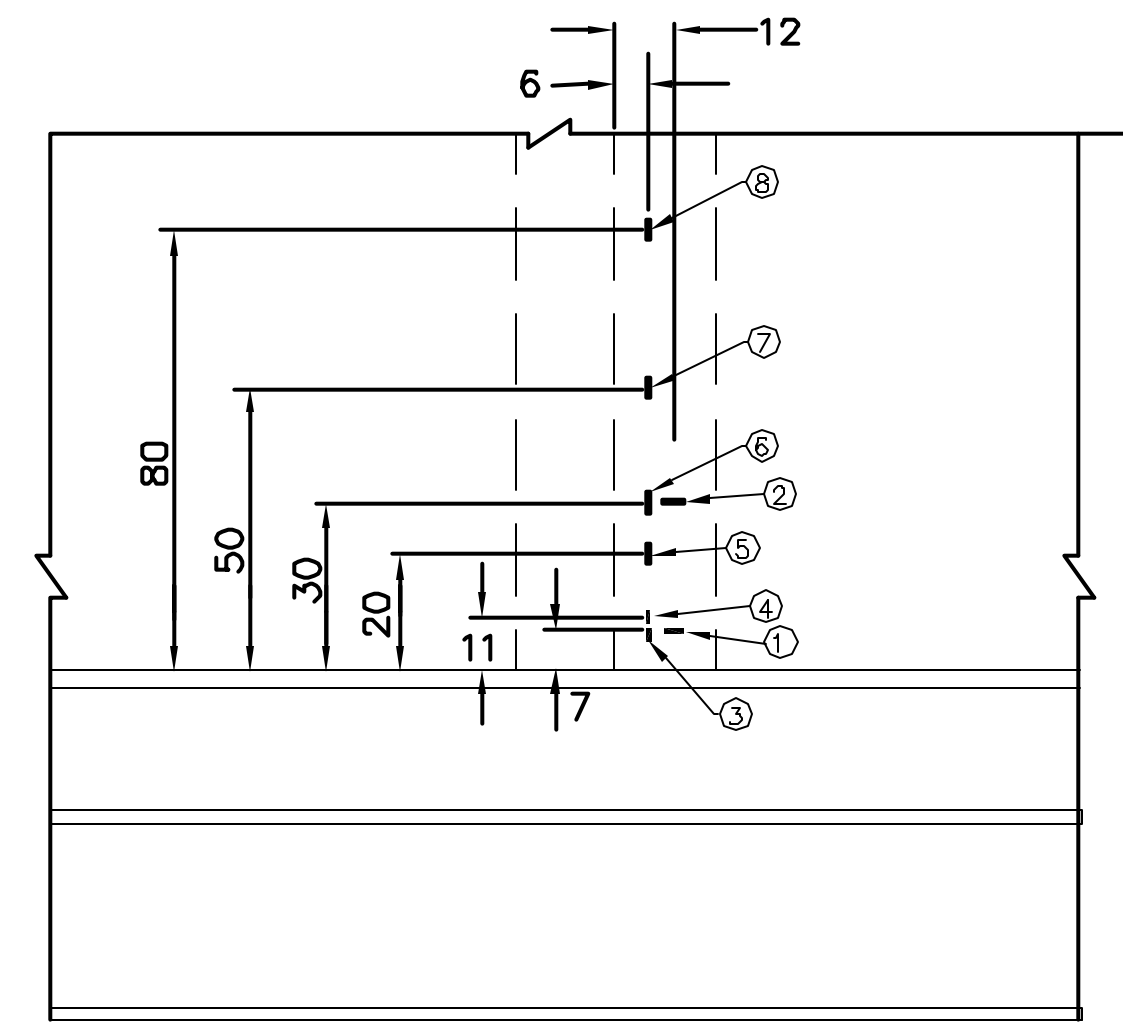
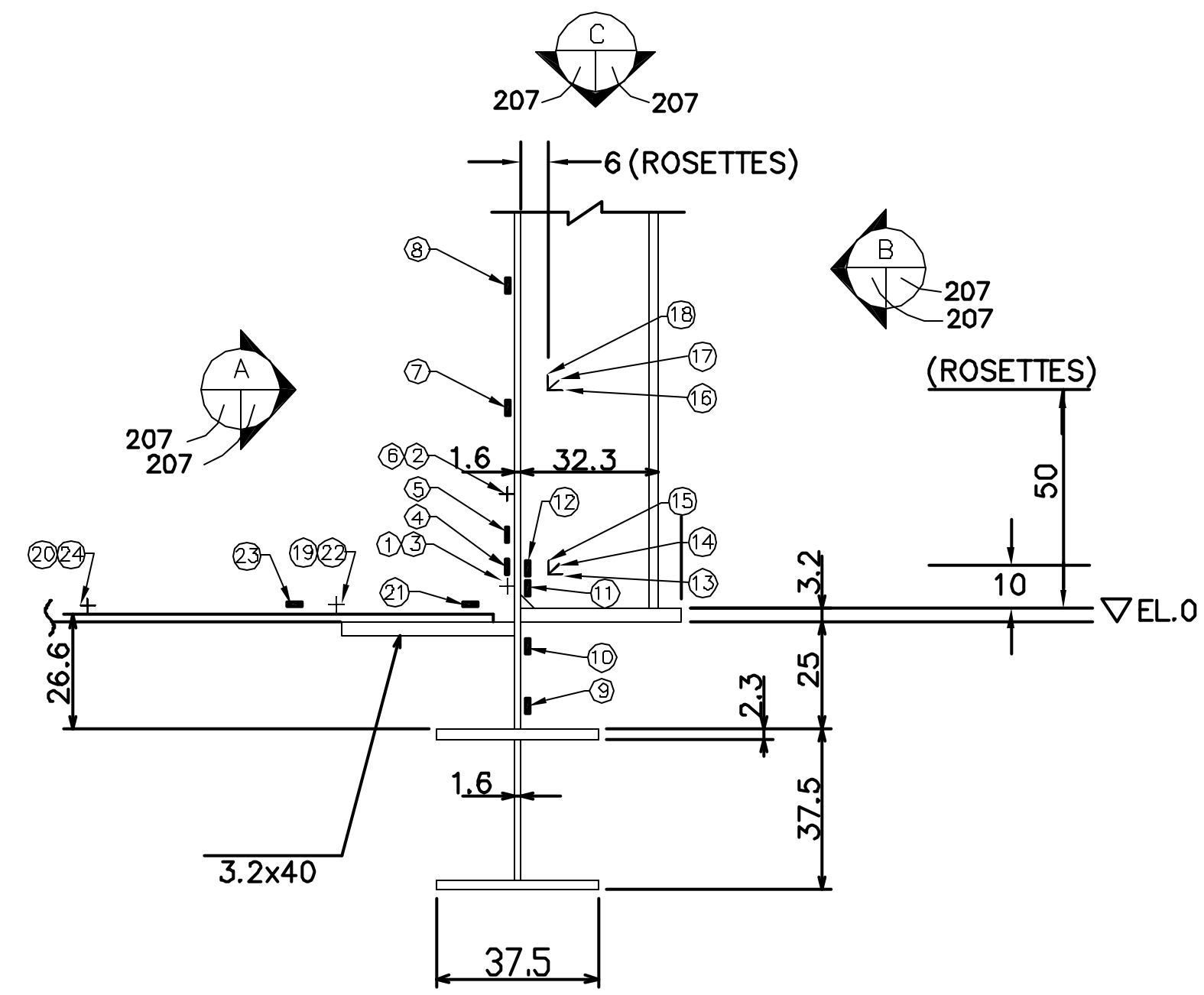
ASSURE GAUGES PLACED 300MM FROM EDGE OR ANY FUTURE WELDING LOCATIONS. AND 100MM AWAY FROM DISCONTINUITYS.

REVISION					
NO.	DATE	DRAWN BY	CHECKED BY	APPROVED BY	NOTES
0	May 15, 1997	T. Martinez			
1	July 20, 1999	J. Tenorio			Removed Gages

NUPEC/NRC PCCV STRUCTURAL BEHAVIOR TEST MODEL

DRAWING NO. D-SN-P-206 INSTRUMENTATION LINER DETAILS SCALE 1/1
GAUGES INSTALLATION DETAILS

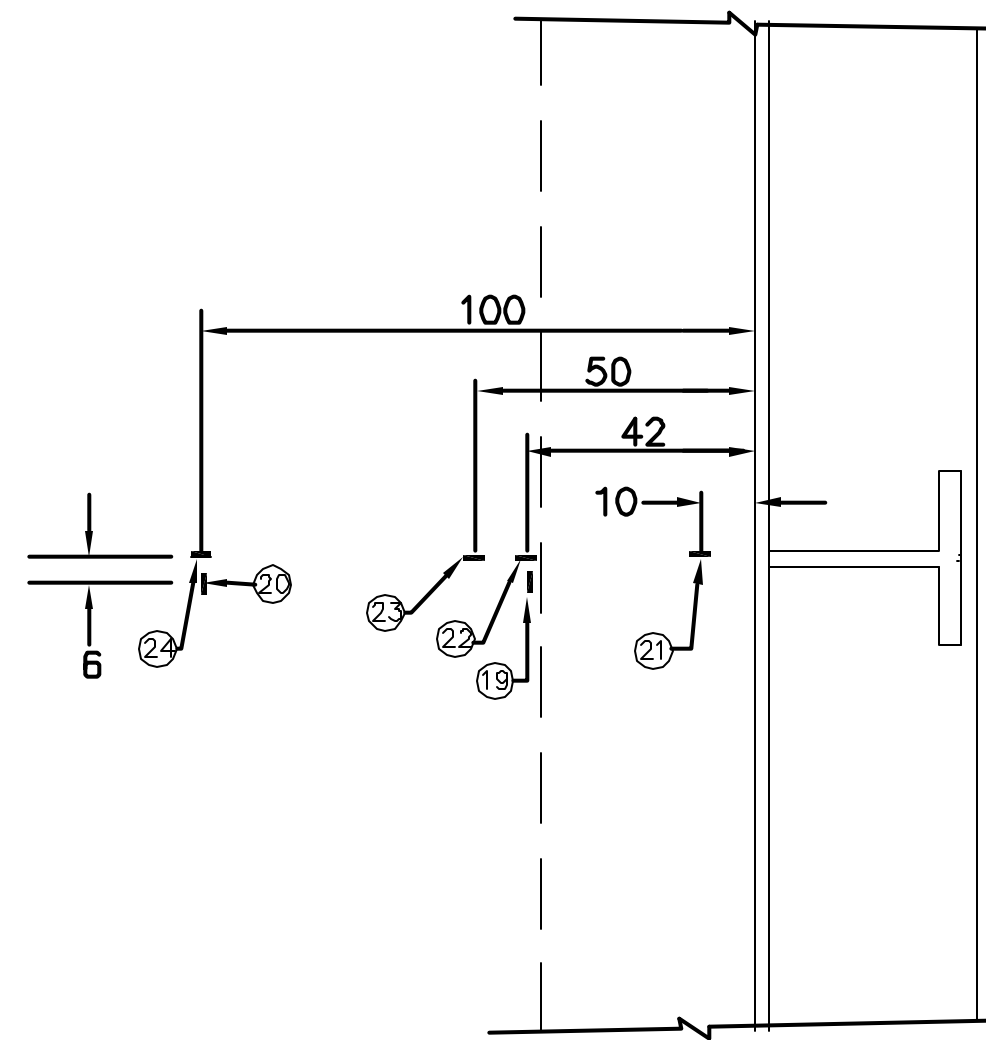
SANDIA NATIONAL LABORATORIES FACILITIES ENGINEERING
ALBUQUERQUE, NEW MEXICO; LIVERMORE, CALIFORNIA; TONOPAH, NEVADA



BASEMAT LINER CONNECTION DETAIL
 ZCD1002Ai 200 c.3 c.5 c.6 207
 ZCD1002Ai 201 207 207 ZCD1002Ai 202

INSIDE VIEW
 207 207

OUTSIDE VIEW
 207 207



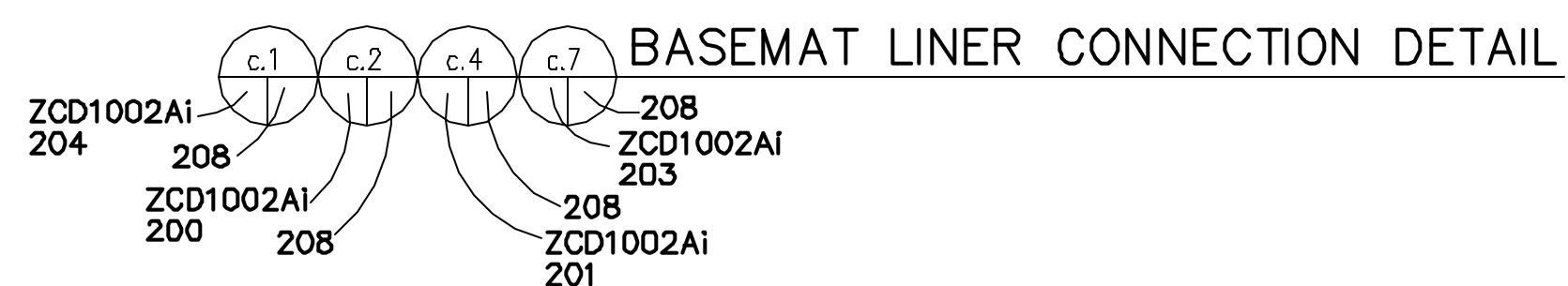
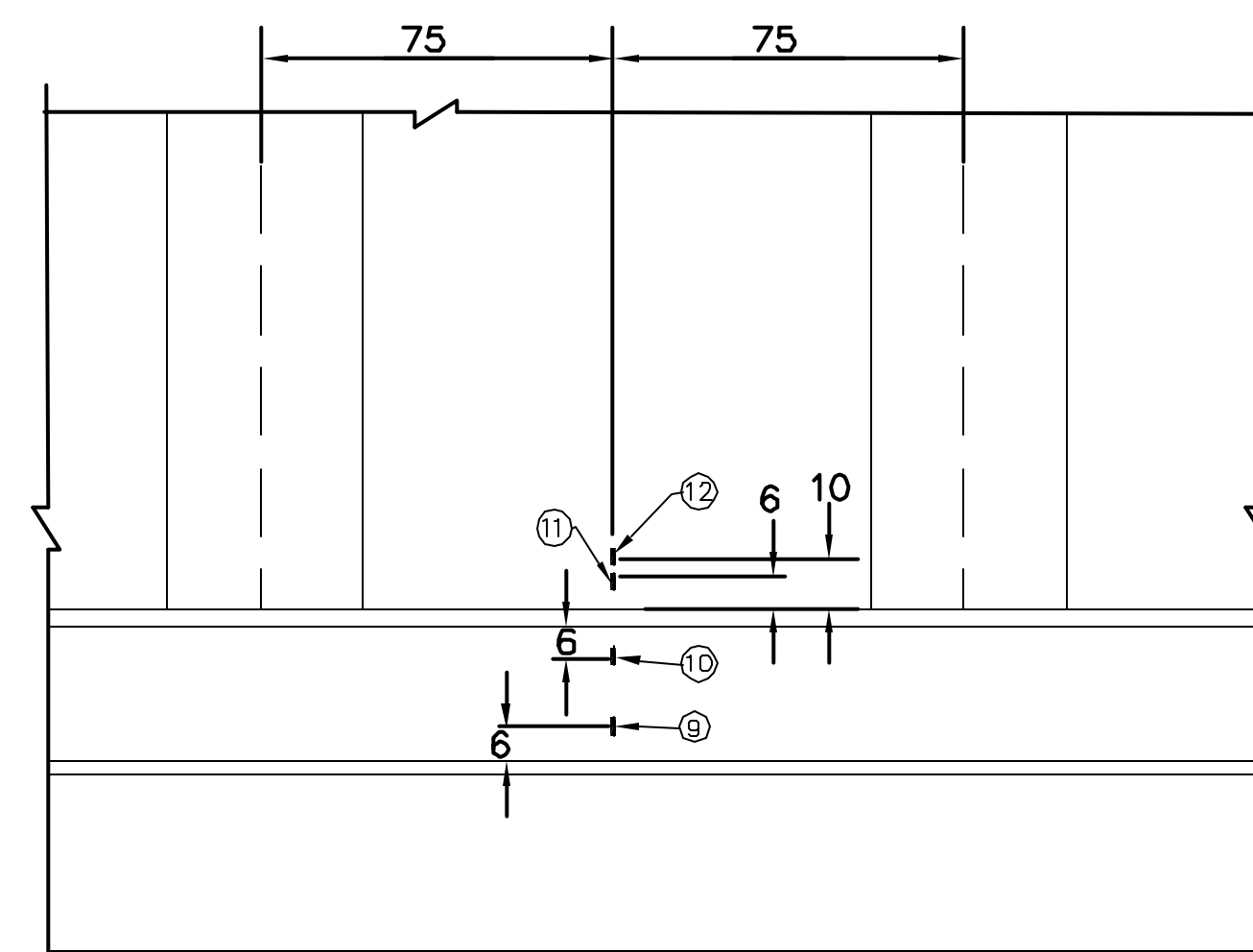
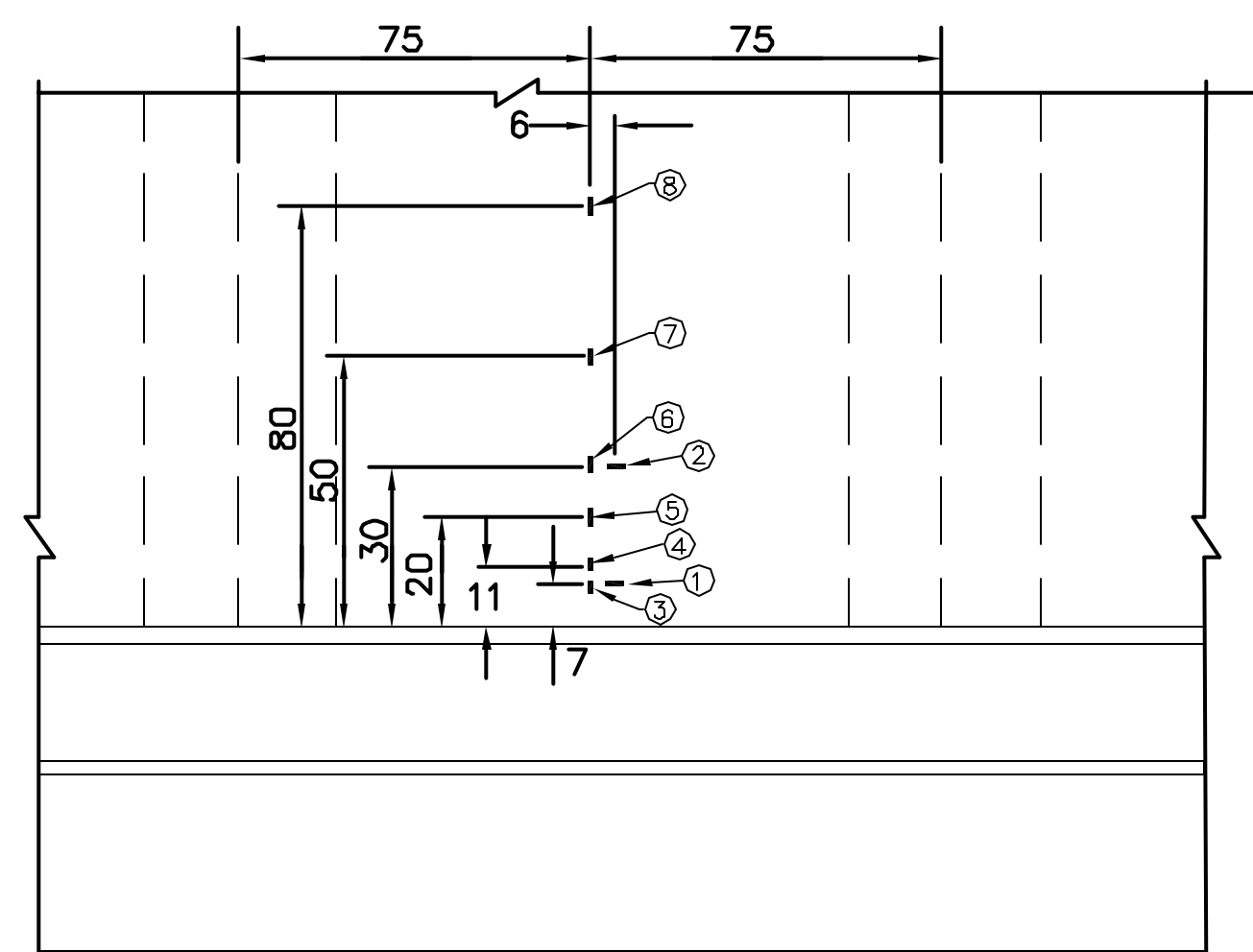
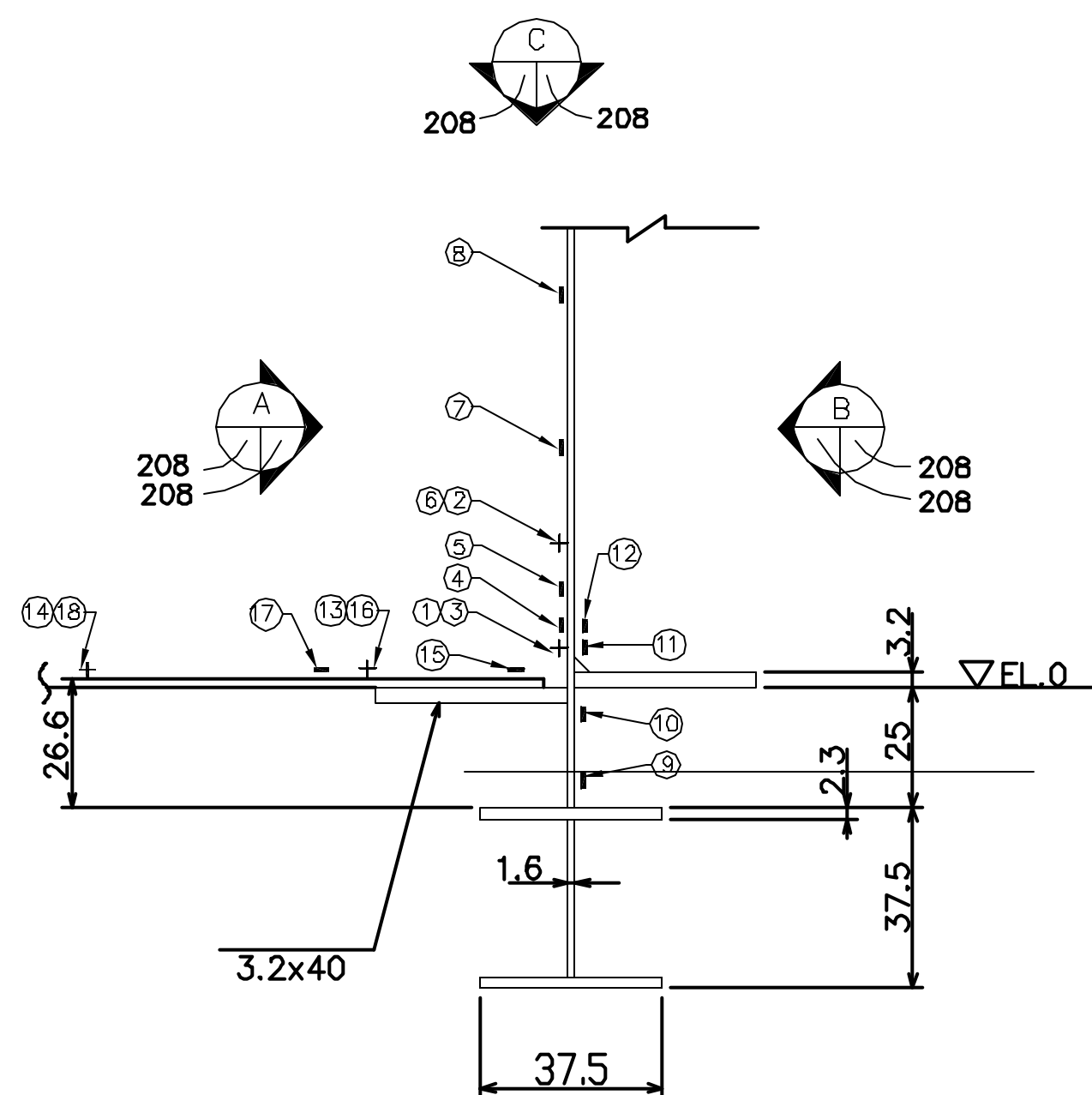
TOP VIEW (c.5 only)
 207 207

Detail #	INSTRUMENTATION ID #		
	c.5	c.3	c.6
Azimuth	131	90	240
Elevation	0	0	0
Liner #	1-4C	1-3C	1-8C
Instr. #			
①	LSI-C-Z1-03	LSI-C-D1-03	LSI-C-I1-01
②	LSI-C-Z1-04	LSI-C-D1-04	LSI-C-I1-02
③	LSI-M-Z1-07	LSI-M-D1-07	LSI-M-I1-01
④	LSI-M-Z1-08	LSI-M-D1-08	LSI-M-I1-02
⑤	LSI-M-Z1-09	LSI-M-D1-09	LSI-M-I1-03
⑥	LSI-M-Z1-10	LSI-M-D1-10	LSI-M-I1-04
⑦	LSI-M-Z1-11	LSI-M-D1-11	LSI-M-I1-05
⑧	LSI-M-Z1-12	LSI-M-D1-12	LSI-M-I1-06
⑨	LSO-M-Z1-05	LSO-M-D1-05	LSO-M-I1-01
⑩	LSO-M-Z1-06	LSO-M-D1-06	LSO-M-I1-02
⑪	LSO-M-Z1-07	LSO-M-D1-07	LSO-M-I1-03
⑫	LSO-M-Z1-08	LSO-M-D1-08	LSO-M-I1-04
⑬	LRA-R-Z1-1r	LRA-R-D1-1r	LRA-R-I1-1r
⑭	LRA-R-Z1-1d	LRA-R-D1-1d	LRA-R-I1-1d
⑮	LRA-R-Z1-1m	LRA-R-D1-1m	LRA-R-I1-1m
⑯	LRA-R-Z1-2r	LRA-R-D1-2r	LRA-R-I1-2r
⑰	LRA-R-Z1-2d	LRA-R-D1-2d	LRA-R-I1-2d
⑱	LRA-R-Z1-2m	LRA-R-D1-2m	LRA-R-I1-2m
⑲	LSI-C-Z1-05	n/a	n/a
⑳	LSI-C-Z1-06	n/a	n/a
㉑	LSI-R-Z1-05	n/a	n/a
㉒	LSI-R-Z1-06	n/a	n/a
㉓	LSI-R-Z1-07	n/a	n/a
㉔	LSI-R-Z1-08	n/a	n/a

NOTE:
 ALL DIMENSIONS SHOWN IN MM

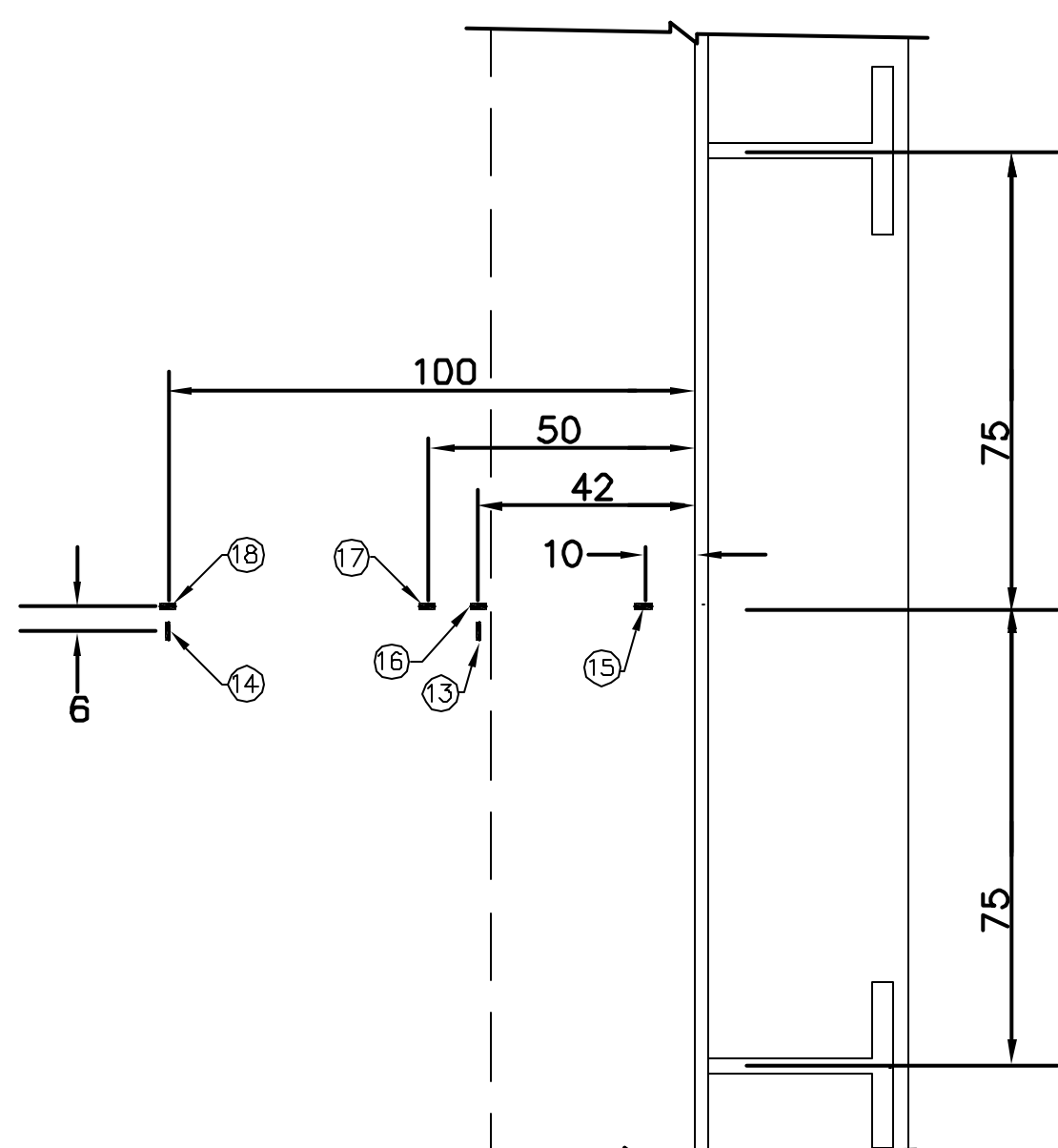
REVISION					
NO.	DATE	DRAWN BY	CHECKED BY	APPROVED BY	NOTES
0	May 15, 1997	T. Martinez			
1	July 20, 1999	J. Tenorio			Drawing No.'s

NUPEC/NRC PCCV STRUCTURAL BEHAVIOR TEST MODEL
 DRAWING NO. **D-SN-P-207** INSTRUMENTATION LINER DETAILS SCALE 1/1
BASEMAT LINER CONNECTION @ ANCHOR
 SANDIA NATIONAL LABORATORIES ENGINEERING
 ALBUQUERQUE, NEW MEXICO; LIVERMORE, CALIFORNIA; TONOPAH, NEVADA



INSIDE VIEW

OUTSIDE VIEW



TOP VIEW (c.1 only)

Detail #	INSTRUMENTATION ID #			
	c.1	c.2	c.4	c.7
Azimuth	0	89	130	324
Elevation	0	0	0	0
Liner #	1-12C	1-3C	1-4C	1-11C
Instr. #				
①	LSI-C-A1-01	LSI-C-D1-01	LSI-C-Z1-01	LSI-C-L1-01
②	LSI-C-A1-02	LSI-C-D1-02	LSI-C-Z1-02	LSI-C-L1-02
③	LSI-M-A1-01	LSI-M-D1-01	LSI-M-Z1-01	LSI-M-L1-01
④	LSI-M-A1-02	LSI-M-D1-02	LSI-M-Z1-02	LSI-M-L1-02
⑤	LSI-M-A1-03	LSI-M-D1-03	LSI-M-Z1-03	LSI-M-L1-03
⑥	LSI-M-A1-04	LSI-M-D1-04	LSI-M-Z1-04	LSI-M-L1-04
⑦	LSI-M-A1-05	LSI-M-D1-05	LSI-M-Z1-05	LSI-M-L1-05
⑧	LSI-M-A1-06	LSI-M-D1-06	LSI-M-Z1-06	LSI-M-L1-06
⑨	LSO-M-A1-01	LSO-M-D1-01	LSO-M-Z1-01	LSO-M-L1-01
⑩	LSO-M-A1-02	LSO-M-D1-02	LSO-M-Z1-02	LSO-M-L1-02
⑪	LSO-M-A1-03	LSO-M-D1-03	LSO-M-Z1-03	LSO-M-L1-03
⑫	LSO-M-A1-04	LSO-M-D1-04	LSO-M-Z1-04	LSO-M-L1-04
⑬	LSI-C-A1-03	n/a	n/a	n/a
⑭	LSI-C-A1-04	n/a	n/a	n/a
⑮	LSI-R-A1-01	n/a	n/a	n/a
⑯	LSI-R-A1-02	n/a	n/a	n/a
⑰	LSI-R-A1-03	n/a	n/a	n/a
⑱	LSI-R-A1-04	n/a	n/a	n/a

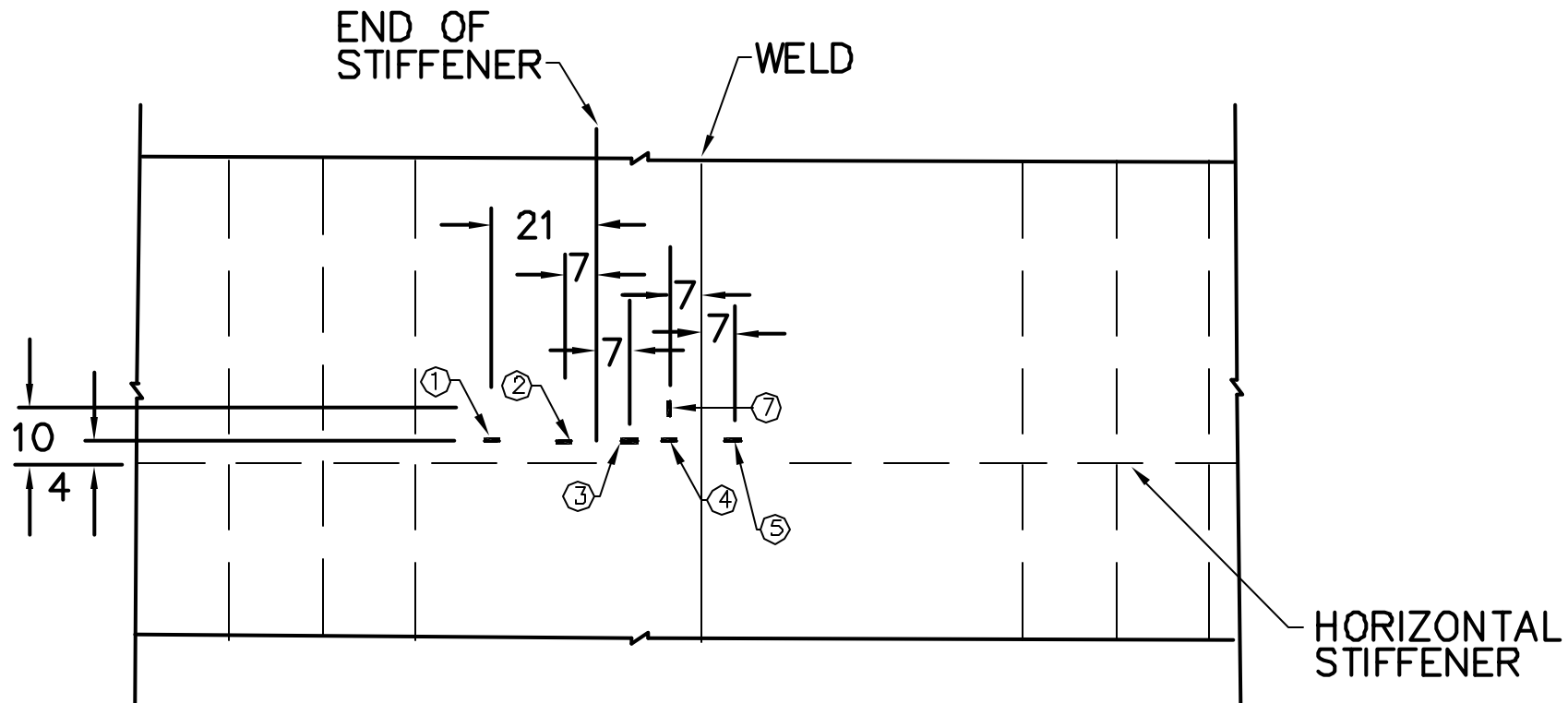
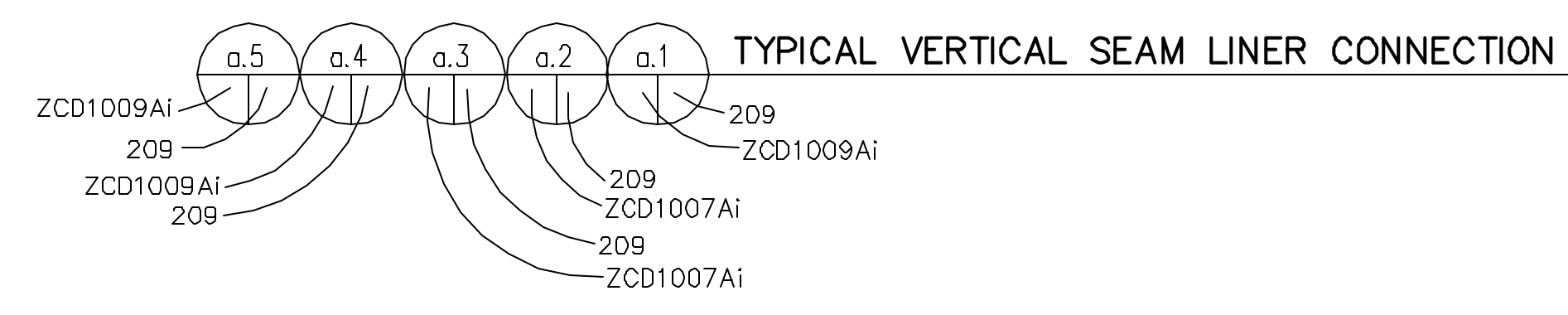
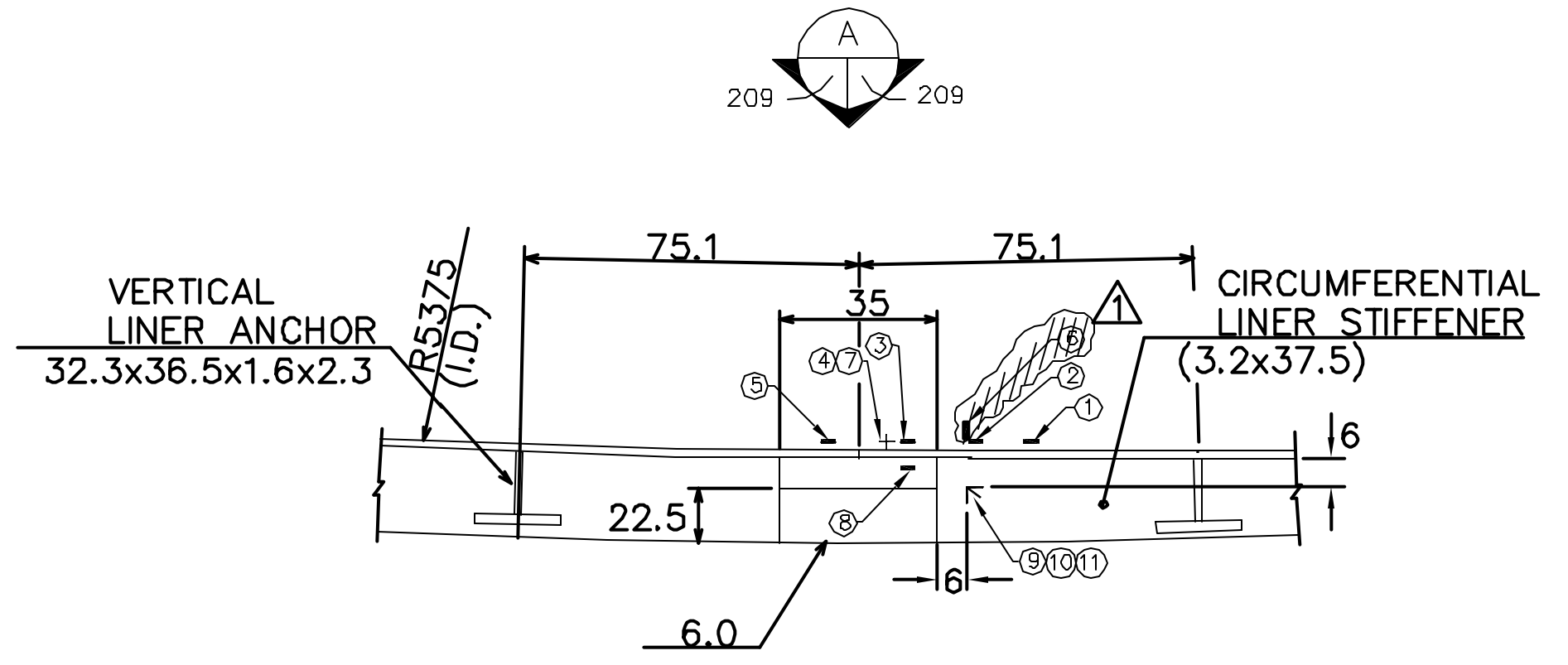
NOTE:
ALL DIMENSIONS SHOWN IN MM

REVISION					
NO.	DATE	DRAWN BY	CHECKED BY	APPROVED BY	NOTES
0	May 15, 1997	T. Martinez			
1	July 23, 1999	J. Tenorio			Drawing No.'s

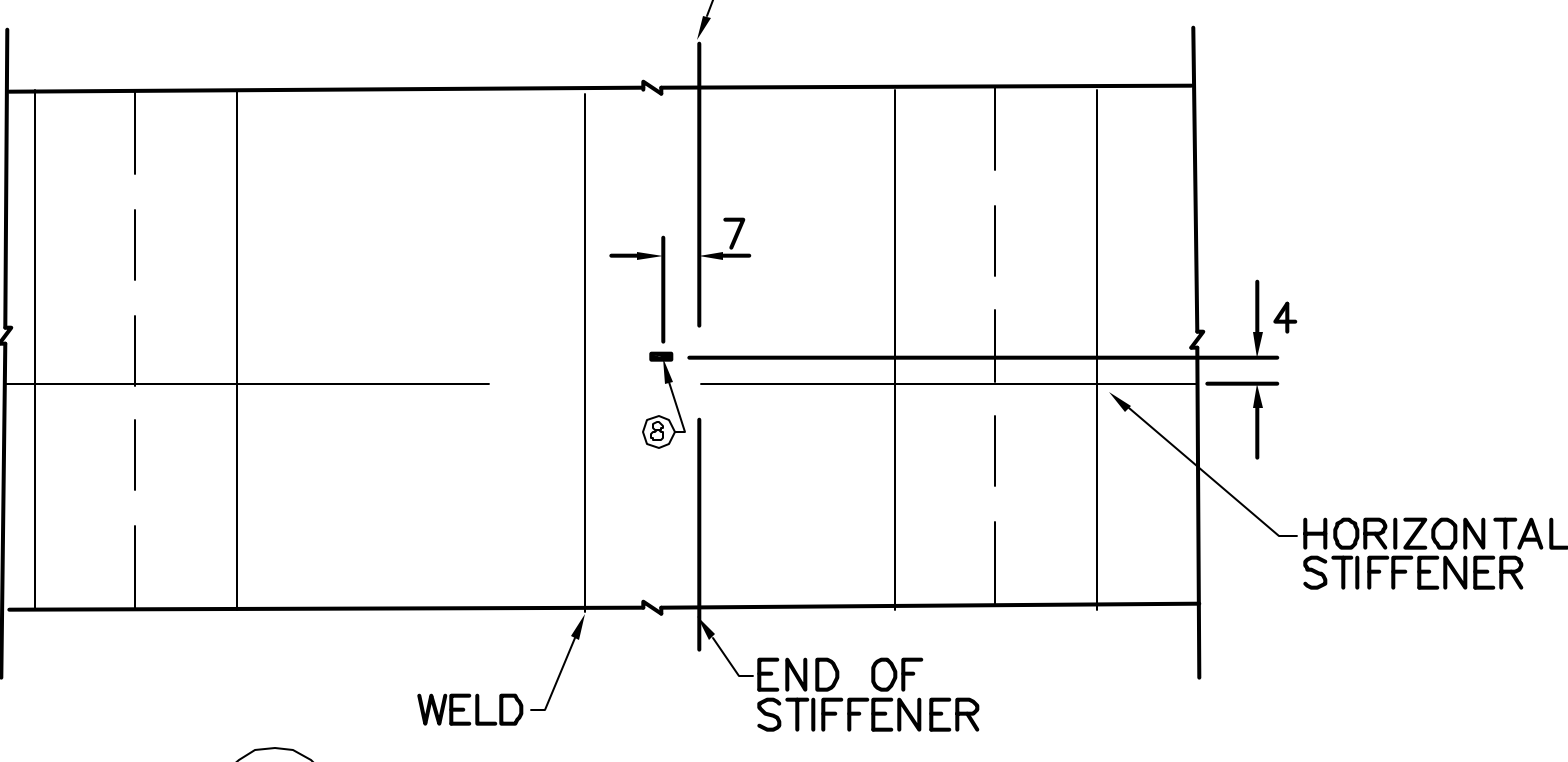
NUPEC/NRC PCCV STRUCTURAL BEHAVIOR TEST MODEL

DRAWING NO. **D-SN-P-208** INSTRUMENTATION LINER DETAILS SCALE 1/1
BASEMAT LINER CONNECTION

SANDIA NATIONAL LABORATORIES FACILITIES ENGINEERING
ALBUQUERQUE, NEW MEXICO; LIVERMORE, CALIFORNIA; TONOPAH, NEVADA

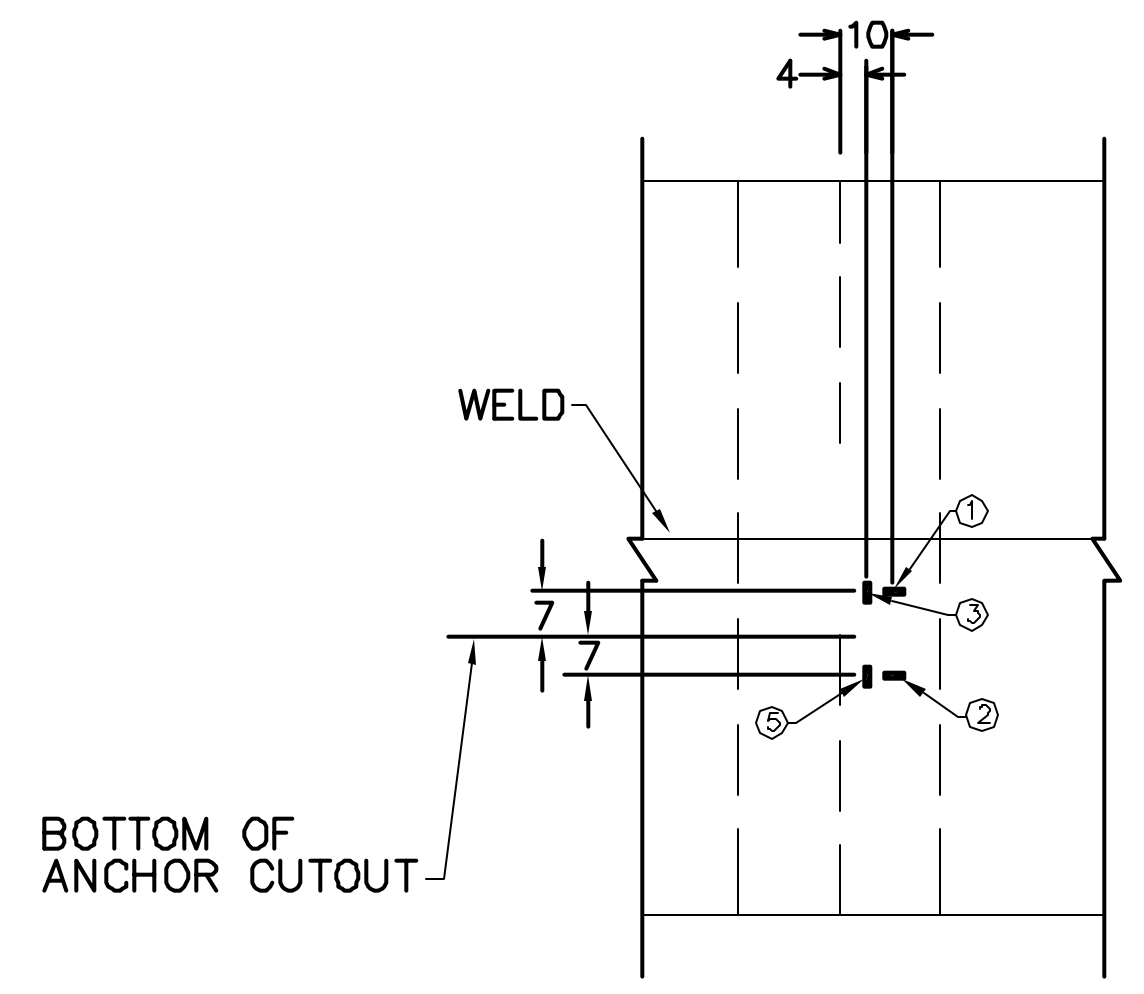
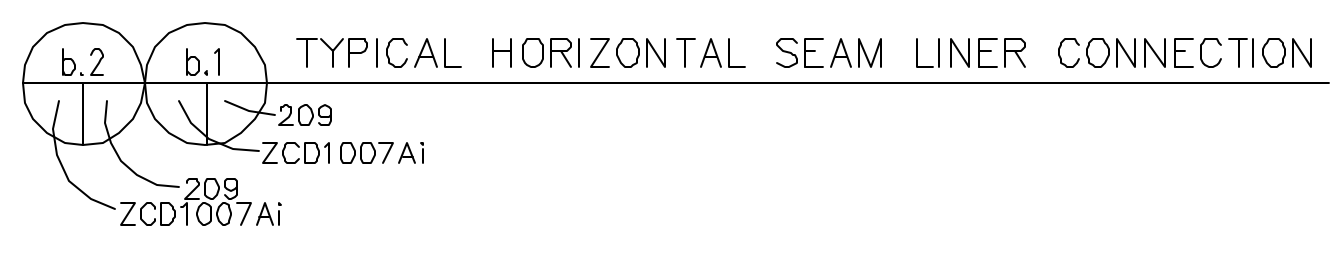
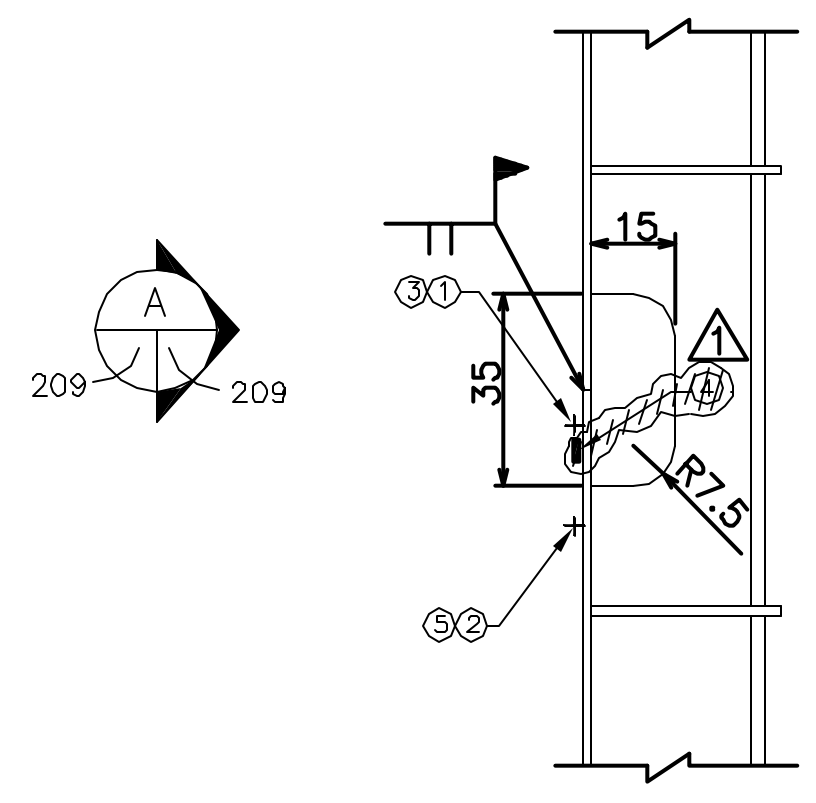


INSIDE VIEW



OUTSIDE VIEW

INSTRUMENTATION ID #					
Detail #	a.1	a.2	a.3	a.4	a.5
Azimuth	2	137	137	95	95
Elevation	7750	5487	5831	7750	7400
Liner #	4-1B	3-6B	3-6B	4-3B	4-3B
Instr. #					
①	LSI-C-A7-01	LSI-C-Z5-02	LSI-C-Z6-02	LSI-C-D7-02	LSI-C-D7-07
②	LSI-C-A7-02	LSI-C-Z5-03	LSI-C-Z6-03	LSI-C-D7-03	LSI-C-D7-08
③	LSI-C-A7-03	LSI-C-Z5-04	LSI-C-Z6-04	LSI-C-D7-04	LSI-C-D7-09
④	LSI-C-A7-04	LSI-C-Z5-05	LSI-C-Z6-05	LSI-C-D7-05	LSI-C-D7-10
⑤	LSI-C-A7-05	LSI-C-Z5-06	LSI-C-Z6-06	LSI-C-D7-06	LSI-C-D7-11
⑥	LSI-M-A7-01	LSI-M-Z5-02	LSI-M-Z6-02	LSI-M-D7-02	LSI-M-D7-04
⑦	LSI-M-A7-02	LSI-M-Z5-03	LSI-M-Z6-03	LSI-M-D7-03	LSI-M-D7-05
⑧	LSO-C-A7-01	LSO-C-Z5-01	LSO-C-Z6-01	LSO-C-D7-01	LSO-C-D7-02
⑨	LRS-R-A7-1r	LRS-R-Z5-1r	n/a	LRS-R-D7-1r	n/a
⑩	LRS-R-A7-1d	LRS-R-Z5-1d	n/a	LRS-R-D7-1d	n/a
⑪	LRS-R-A7-1h	LRS-R-Z5-1h	n/a	LRS-R-D7-1h	n/a



INSIDE VIEW

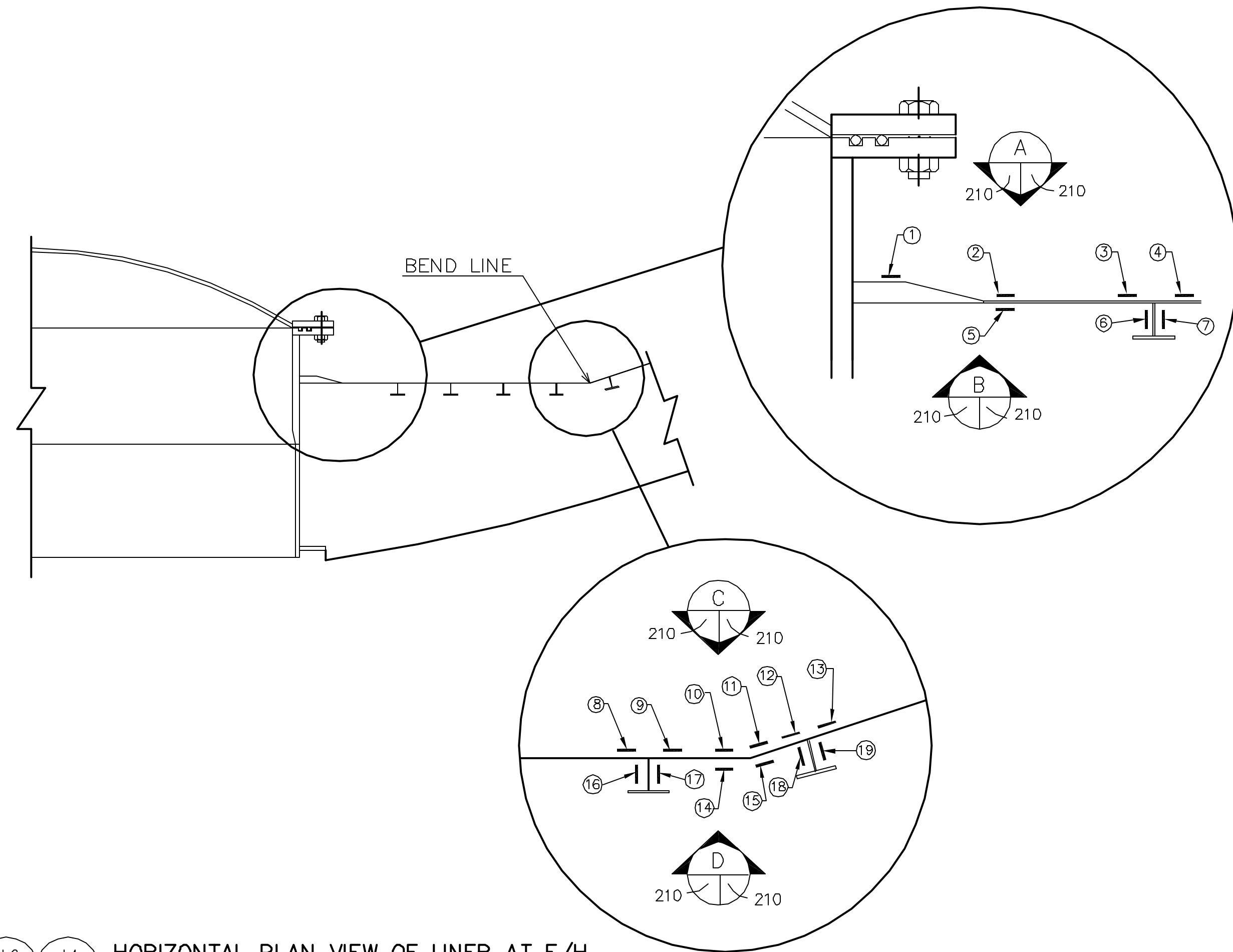
INSTRUMENTATION ID #			
Detail #	b.1	b.2	b.3
Azimuth	130	130	278
Elevation	10750	3869	7612
Liner #	5-6B	2-4B	3-8A
Instr. #			
①	LSI-C-Z9-02	LSI-C-Z5-07	LSI-C-J7-02
②	LSI-C-Z9-03	LSI-C-Z5-08	LSI-C-J7-03
③	LSI-M-Z9-02	LSI-M-Z5-04	LSI-M-J7-02
④	LSI-M-Z9-03	LSI-M-Z5-05	LSI-M-J7-03
⑤	LSI-M-Z9-04	LSI-M-Z5-06	LSI-M-J7-04

REVISION					
NO.	DATE	DRAWN BY	CHECKED BY	APPROVED BY	NOTES
0	Feb 4, 1998	T. Martinez			
1	July 20, 1999	J. Tenorio			Removed Gages

NUPEC/NRC PCCV STRUCTURAL BEHAVIOR TEST MODEL

DRAWING NO. D-SN-P-209 INSTRUMENTATION LINER DETAILS SCALE 1/1
 DETAIL a & b

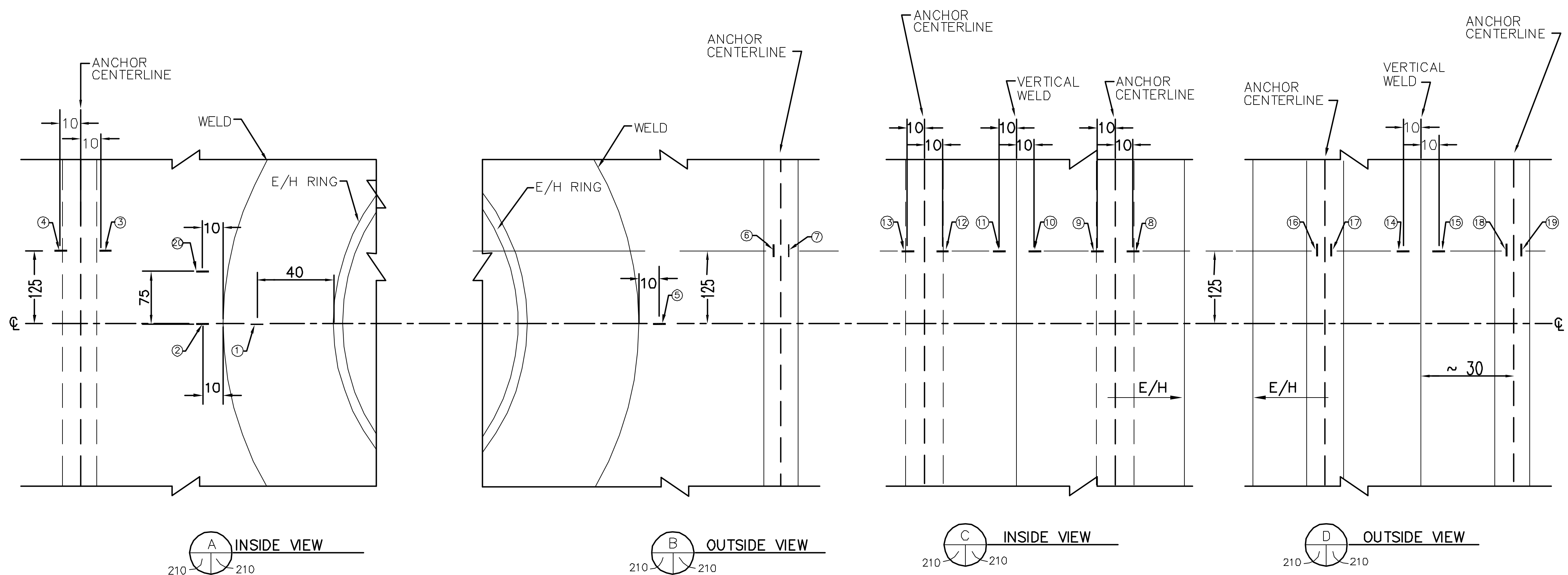
SANDIA NATIONAL LABORATORIES FACILITIES ENGINEERING
 ALBUQUERQUE, NEW MEXICO; LIVERMORE, CALIFORNIA; TONOPAH, NEVADA



HORIZONTAL PLAN VIEW OF LINER AT E/H
 ZCD1010Ai 210 ZCD1010Ai 210

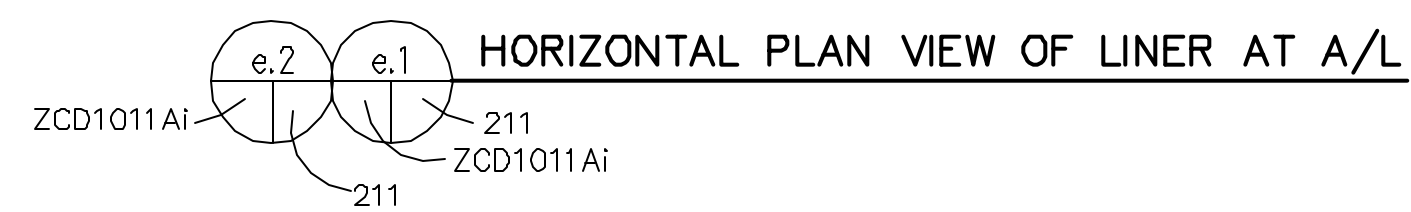
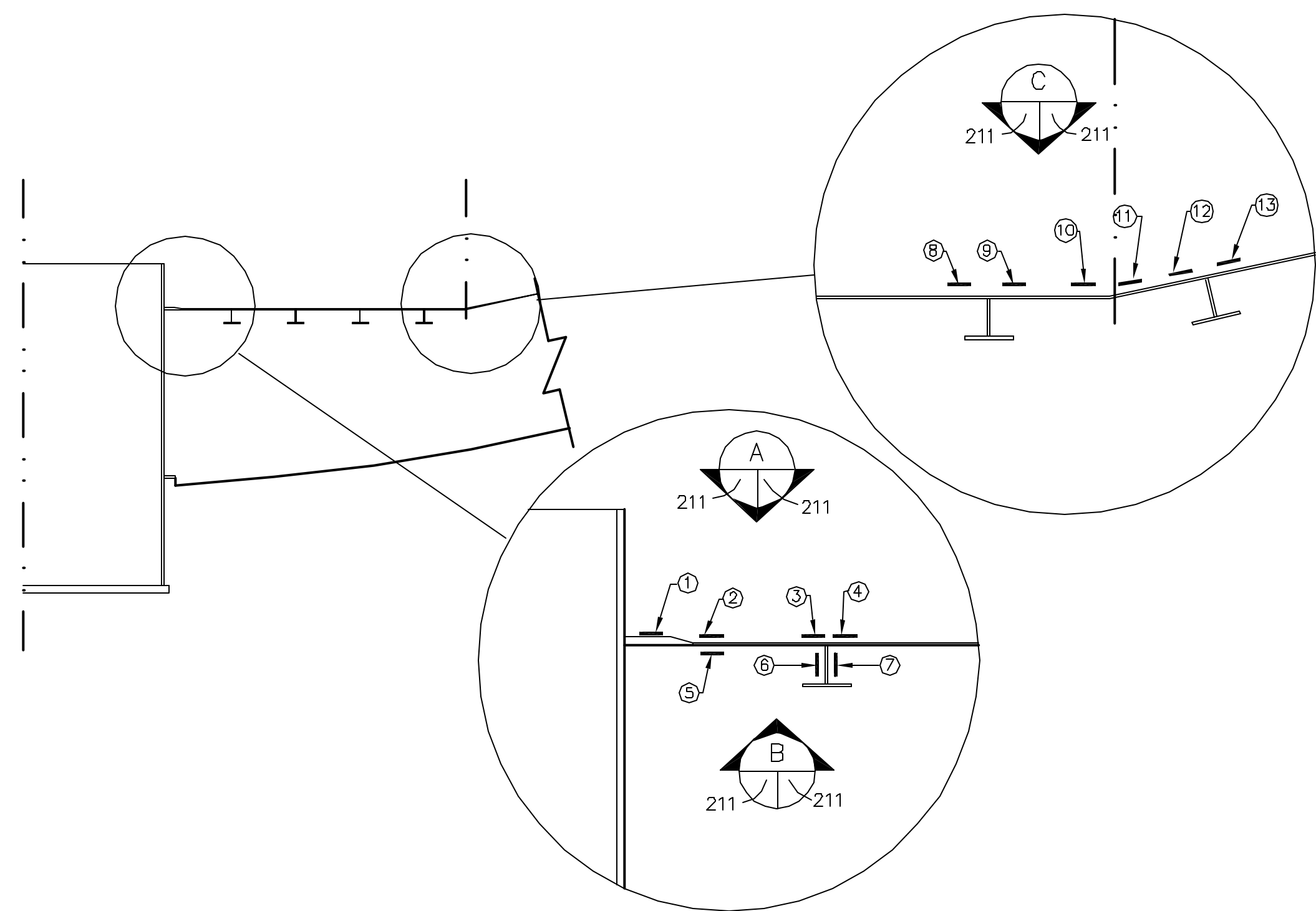
INSTRUMENTATION ID #		
Detail #	d.1	d.2
Azimuth	310	340
Elevation	4800	4800
Liner #	3-11D	3-11E
Instr. #		
①	LSI-C-K5-02	LSI-C-A5-02
②	LSI-C-K5-03	LSI-C-A5-03
③	LSI-C-K5-04	LSI-C-A5-04
④	LSI-C-K5-05	LSI-C-A5-05
⑤	LSO-C-K5-01	LSO-C-A5-01
⑥	LSA-R-K5-01	LSA-R-A5-01
⑦	LSA-R-K5-02	LSA-R-A5-02
⑧	LSI-C-K5-06	LSI-C-A5-06
⑨	LSI-C-K5-07	LSI-C-A5-07
⑩	LSI-C-K5-08	LSI-C-A5-08
⑪	LSI-C-K5-09	LSI-C-A5-09
⑫	LSI-C-K5-10	LSI-C-A5-10
⑬	LSI-C-K5-11	LSI-C-A5-11
⑭	LSO-C-K5-02	LSO-C-A5-02
⑮	LSO-C-K5-03	LSO-C-A5-03
⑯	LSA-R-K5-03	LSA-R-A5-03
⑰	LSA-R-K5-04	LSA-R-A5-04
⑱	LSA-R-K5-05	LSA-R-A5-05
⑲	LSA-R-K5-06	LSA-R-A5-06
⑳	LSI-C-K5-15	LSI-C-A5-15

NOTE: CENTER LSA GAUGES ON ANCHOR WEB ORIENTED IN RADIAL DIRECTION (HORIZONTAL)



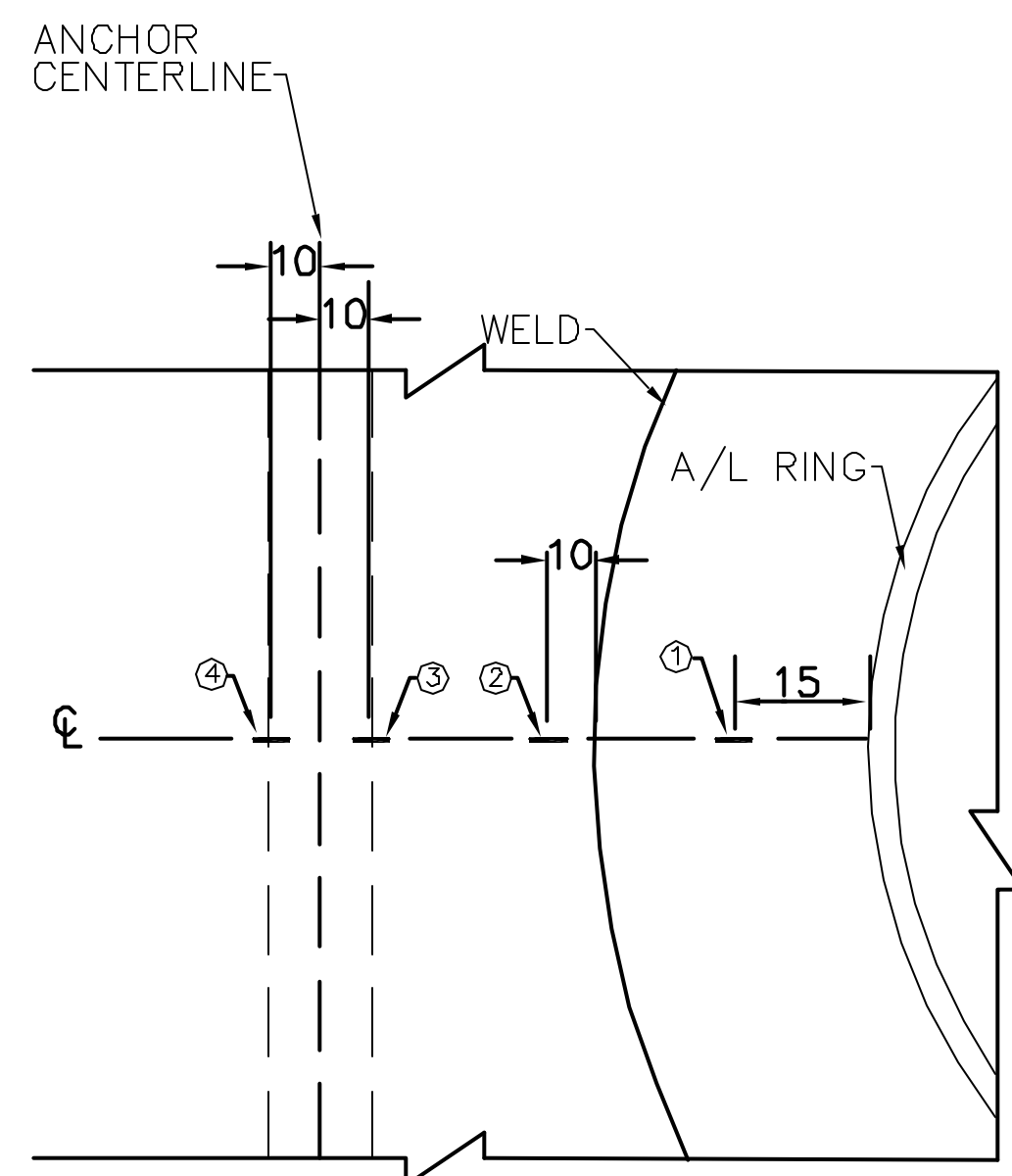
REVISION					
NO.	DATE	DRAWN BY	CHECKED BY	APPROVED BY	NOTES
0	Feb. 4, 1998	T. Martinez			
1	July 20, 1999	J. Tenorio			Moved Gages

NUPEC/NRC PCCV STRUCTURAL BEHAVIOR TEST MODEL
 DRAWING NO. D-SN-P-210 INSTRUMENTED LINER DETAILS SCALE 1/1
 DETAIL d
 SANDIA NATIONAL LABORATORIES FACILITIES ENGINEERING
 ALBUQUERQUE, NEW MEXICO; LIVERMORE, CALIFORNIA; TONOPAH, NEVADA

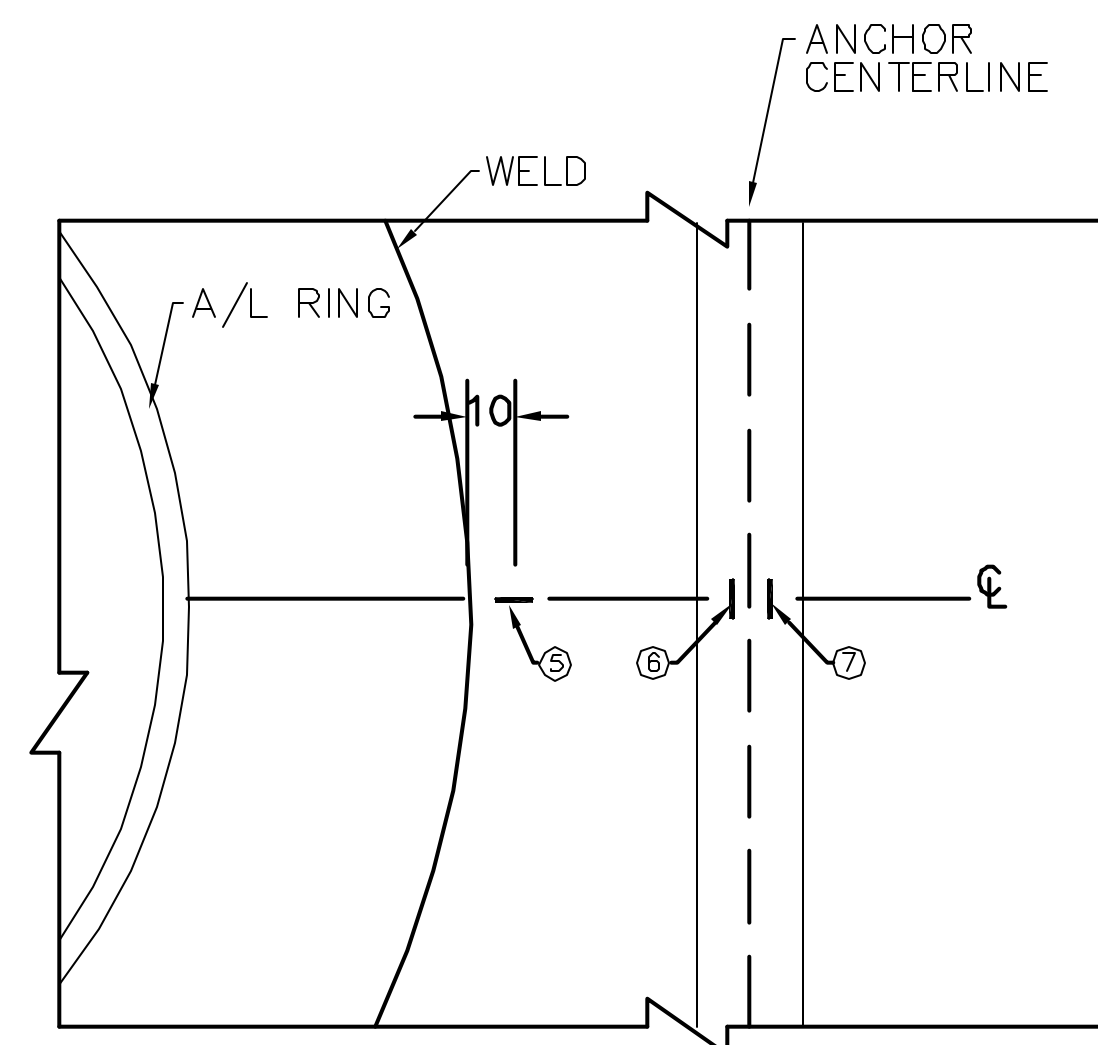


INSTRUMENTATION ID #		
Detail #	e.1	e.2
Azimuth	58	70
Elevation	4525	4525
Liner #	2-2A	2-2A
Instr. #		
①	LSI-C-C5-02	LSI-C-C5-12
②	LSI-C-C5-03	LSI-C-C5-13
③	LSI-C-C5-04	LSI-C-C5-14
④	LSI-C-C5-05	LSI-C-C5-15
⑤	LSO-C-C5-01	LSO-C-C5-02
⑥	LSA-R-C5-01	LSA-R-C5-03
⑦	LSA-R-C5-02	LSA-R-C5-04
⑧	LSI-C-C6-06	LSI-C-C5-16
⑨	LSI-C-C6-07	LSI-C-C6-17
⑩	LSI-C-C6-08	LSI-C-C5-18
⑪	LSI-C-C6-09	LSI-C-C5-19
⑫	LSI-C-C6-10	LSI-C-C5-20
⑬	LSI-C-C6-11	LSI-C-C5-21

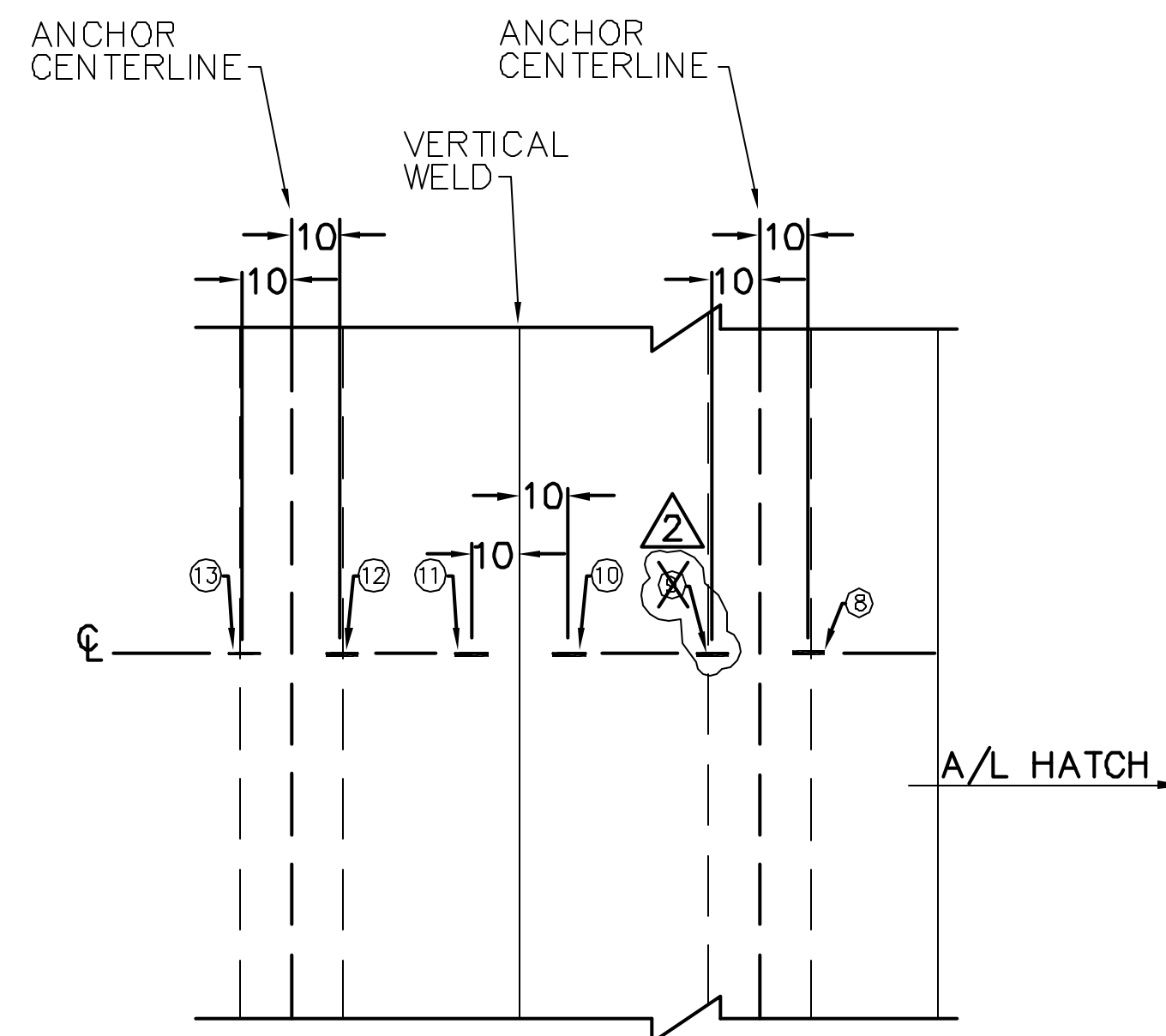
NOTE: CENTER LSA GAUGES ON ANCHOR WEB ORIENTED IN RADIAL DIRECTION. (HORIZONTAL)



A INSIDE VIEW



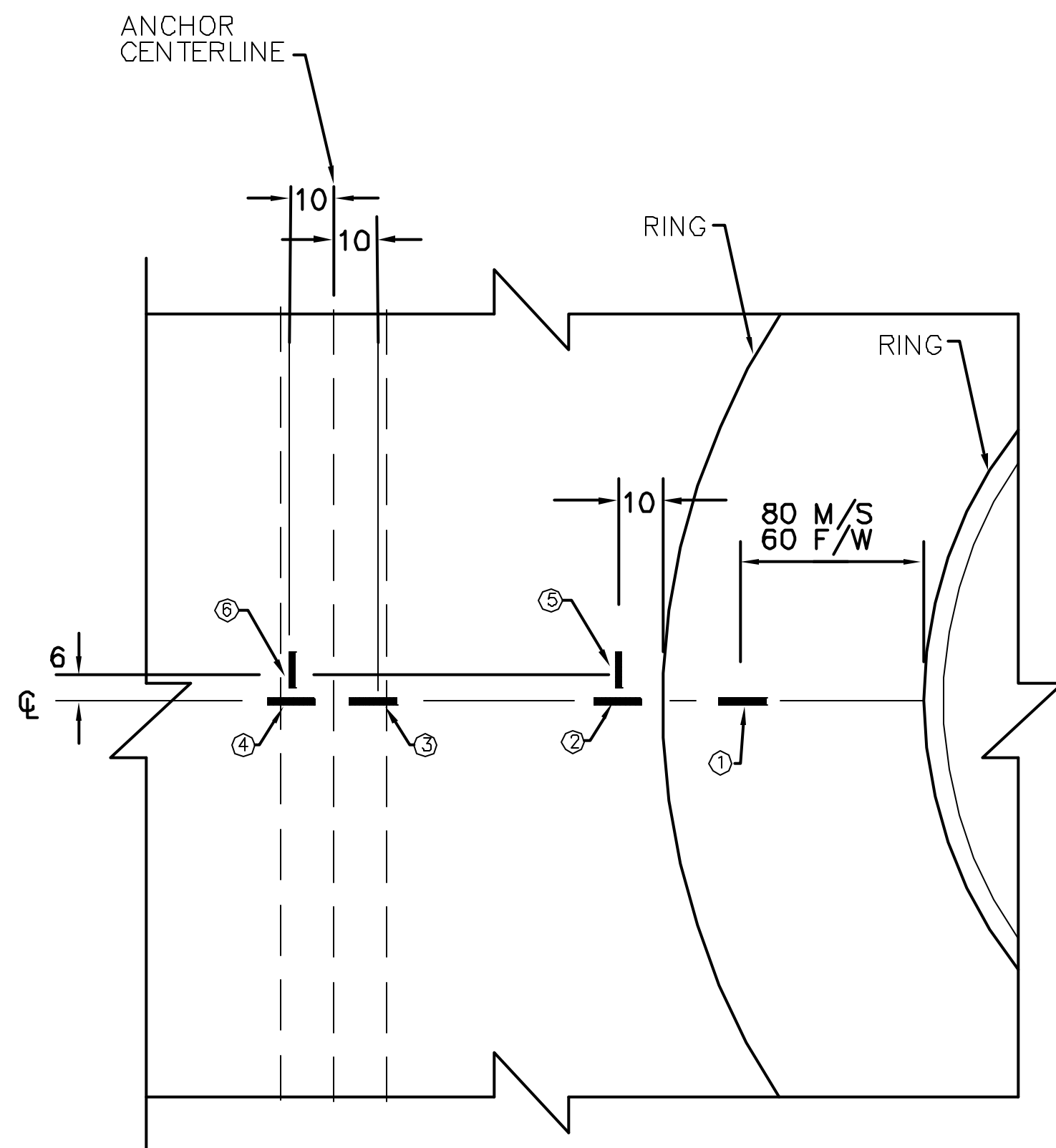
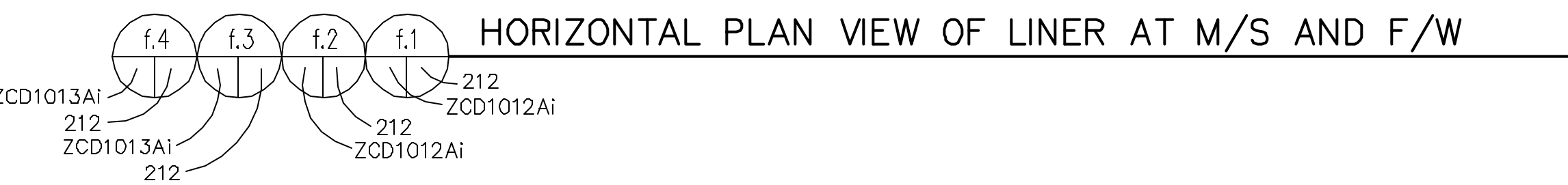
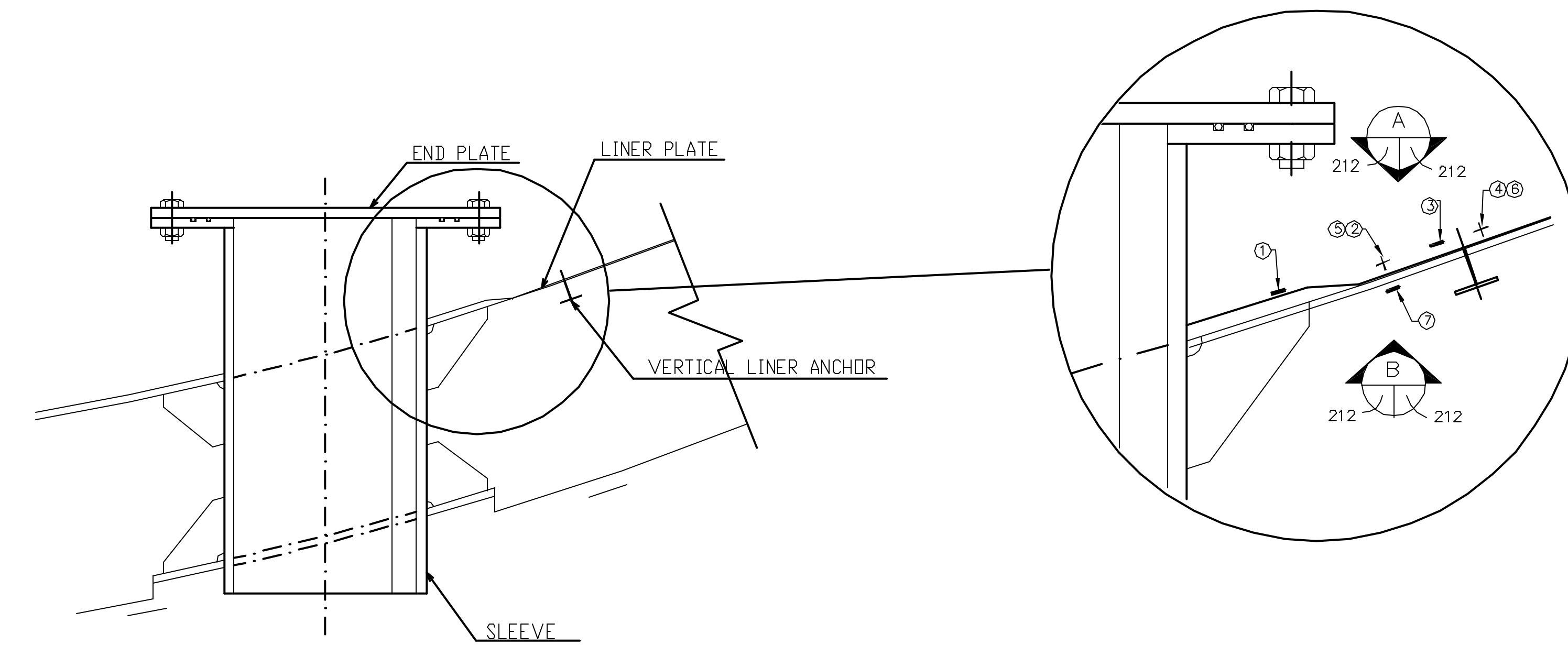
B OUTSIDE VIEW



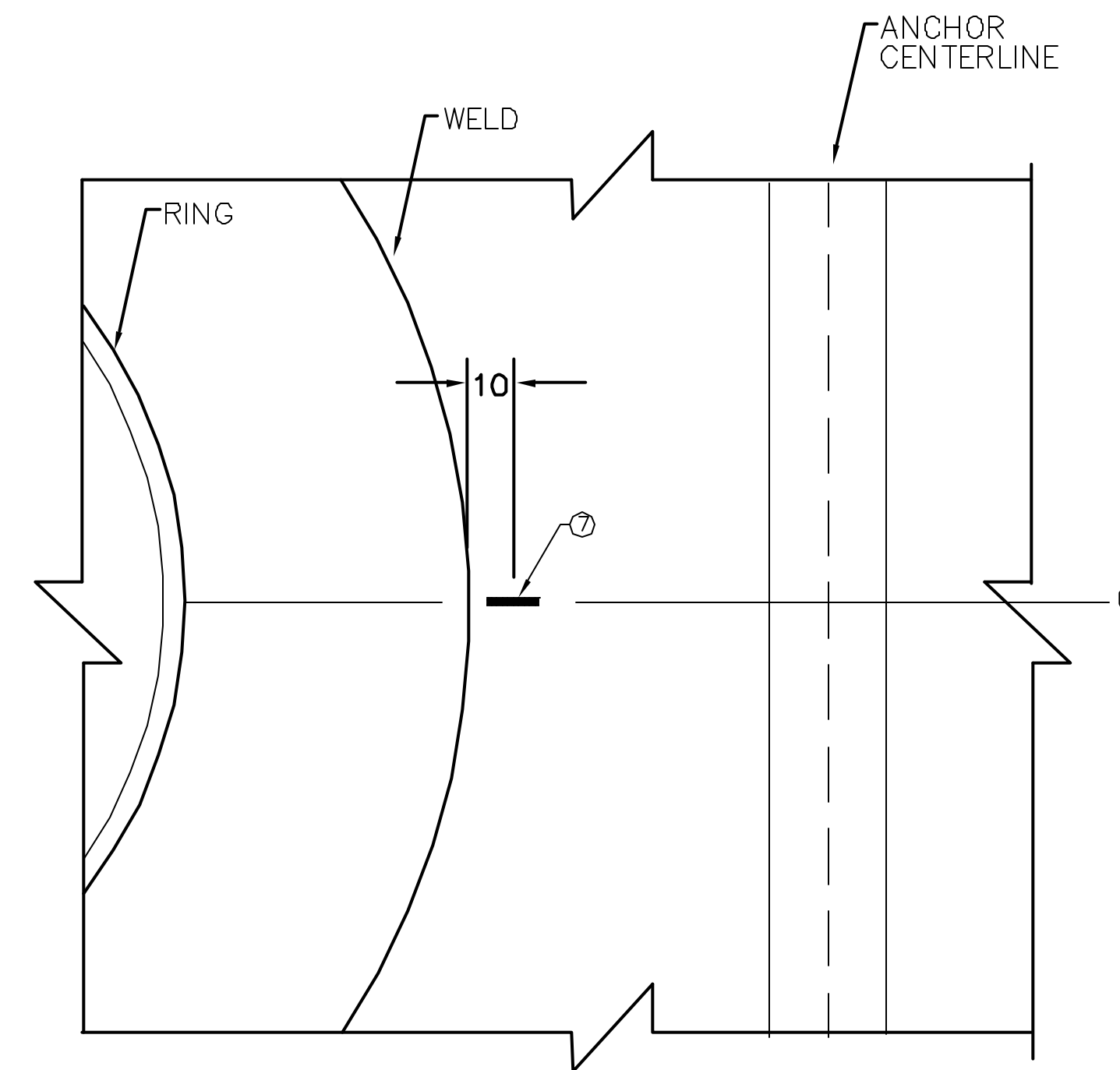
C INSIDE VIEW

REVISION					
NO.	DATE	DRAWN BY	CHECKED BY	APPROVED BY	NOTES
0	Feb. 4, 1988	T. Martinez			
1	July 30, 1999	J. Tenorio			Removed Gages
2	Jan. 31, 2001	J. Tenorio			Addtl Gages Removed

NUPEC/NRC PCCV STRUCTURAL BEHAVIOR TEST MODEL
 DRAWING NO. D-SN-P-211 INSTRUMENTED LINER DETAILS DETAIL e SCALE 1/1
 SANDIA NATIONAL LABORATORIES FACILITIES ENGINEERING
 ALBUQUERQUE, NEW MEXICO; LIVERMORE, CALIFORNIA; TONOPAH, NEVADA



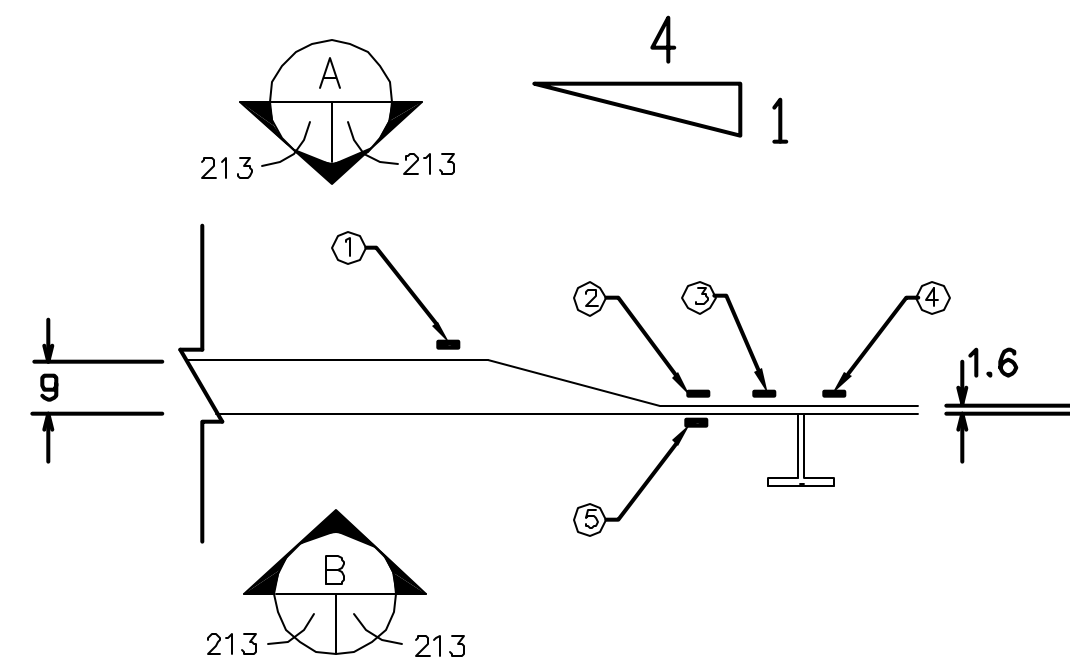
INSIDE VIEW
A



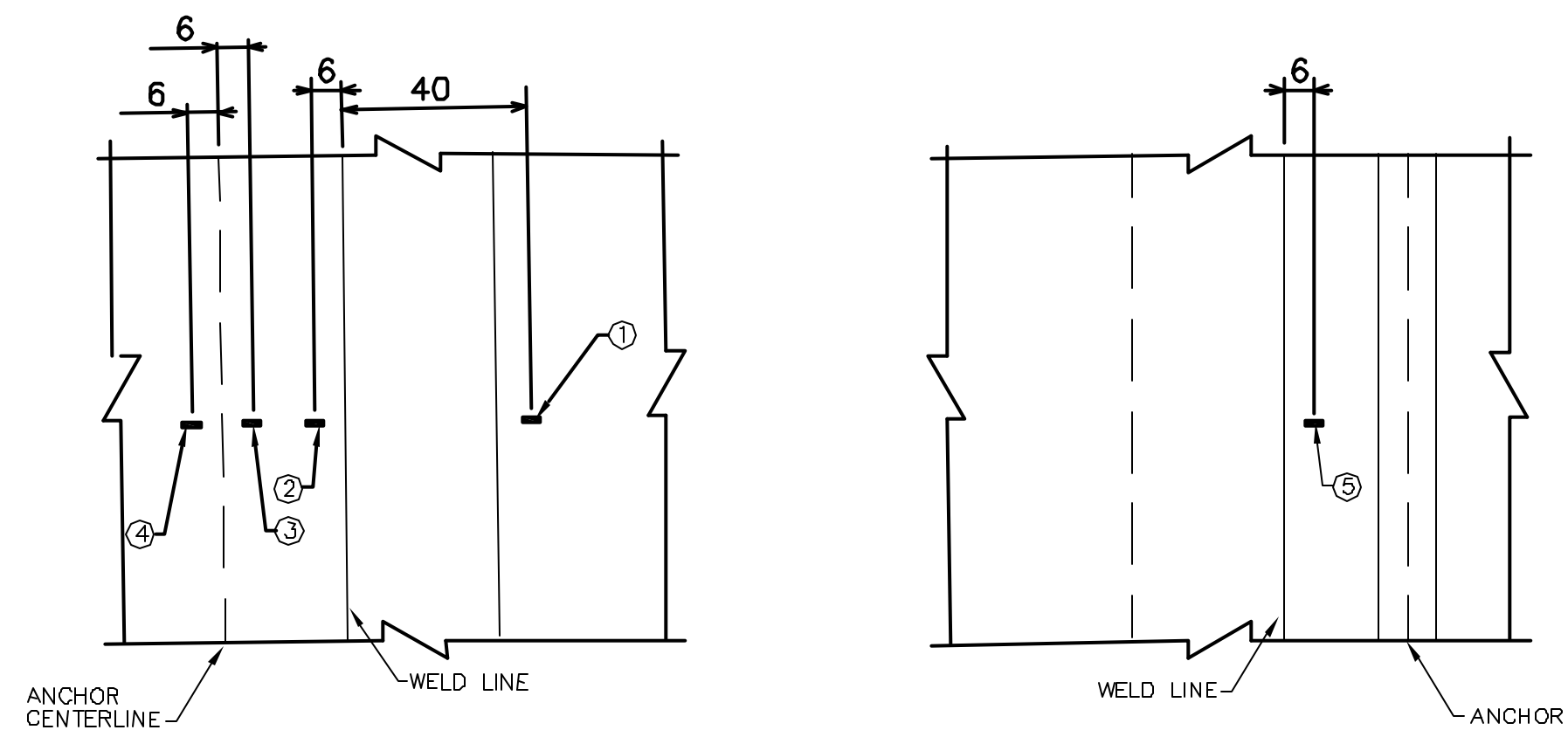
OUTSIDE VIEW
B

INSTRUMENTATION ID #				
Detail #	f.1	f.2	f.3	f.4
Azimuth	160	200	165	195
Elevation	4975	4975	2450	2450
Liner #	3-7C	3-7C	2-6C	2-6C
Instr. #				
①	LSI-C-F5-02	LSI-C-H5-02	LSI-C-F4-01	LSI-C-H4-01
②	LSI-C-F5-03	LSI-C-H5-03	LSI-C-F4-02	LSI-C-H4-02
③	LSI-C-F5-04	LSI-C-H5-04	LSI-C-F4-03	LSI-C-H4-03
④	LSI-C-F5-05	LSI-C-H5-05	LSI-C-F4-04	LSI-C-H4-04
⑤	LSI-M-F5-02	LSI-M-H5-02	LSI-M-F4-01	LSI-M-H4-01
⑥	LSI-M-F5-03	LSI-M-H5-03	LSI-M-F4-02	LSI-M-H4-02
⑦	LSO-C-F5-01	LSO-C-H5-01	LSO-C-F4-01	LSO-C-H4-01

REVISION					
NO.	DATE	DRAWN BY	CHECKED BY	APPROVED BY	NOTES
0	Feb 4, 1998	T. Martinez			
1	July 20, 1999	J. Tenorio			Drawing Numbers
NUPEC/NRC PCCV STRUCTURAL BEHAVIOR TEST MODEL DRAWING NO. D-SN-P-212 INSTRUMENTED LINER DETAILS SCALE 1/1 DETAIL f SANDIA NATIONAL LABORATORIES FACILITIES ENGINEERING ALBUQUERQUE, NEW MEXICO; LIVERMORE, CALIFORNIA; TONOPAH, NEVADA					

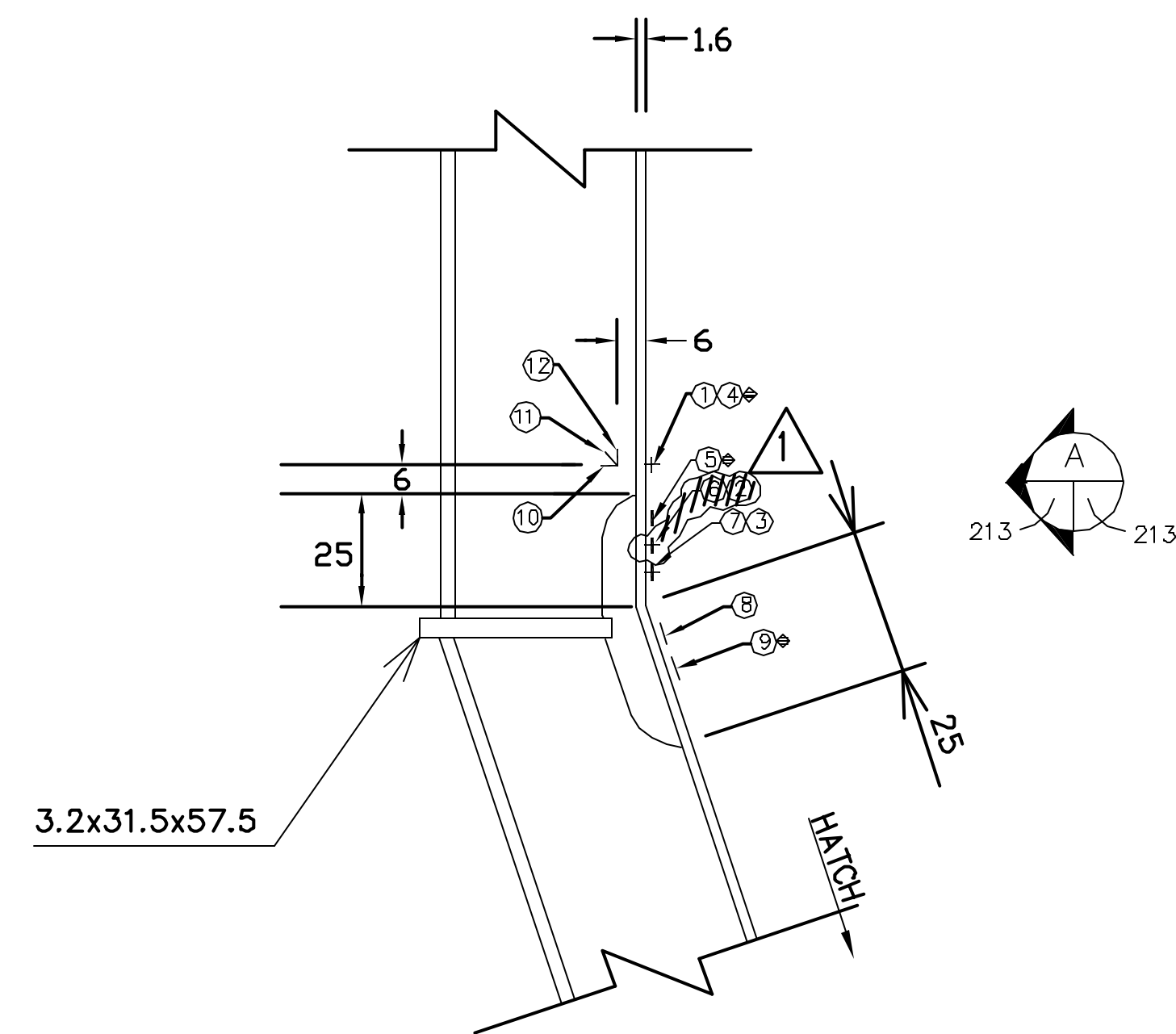


HORIZONTAL PLAN VIEW OF CRANE BRACKET THICKENED PLATE
 ZCD1014Ai 205
 213
 ZCD1014Ai 205
 213
 ZCD1014Ai 205
 213

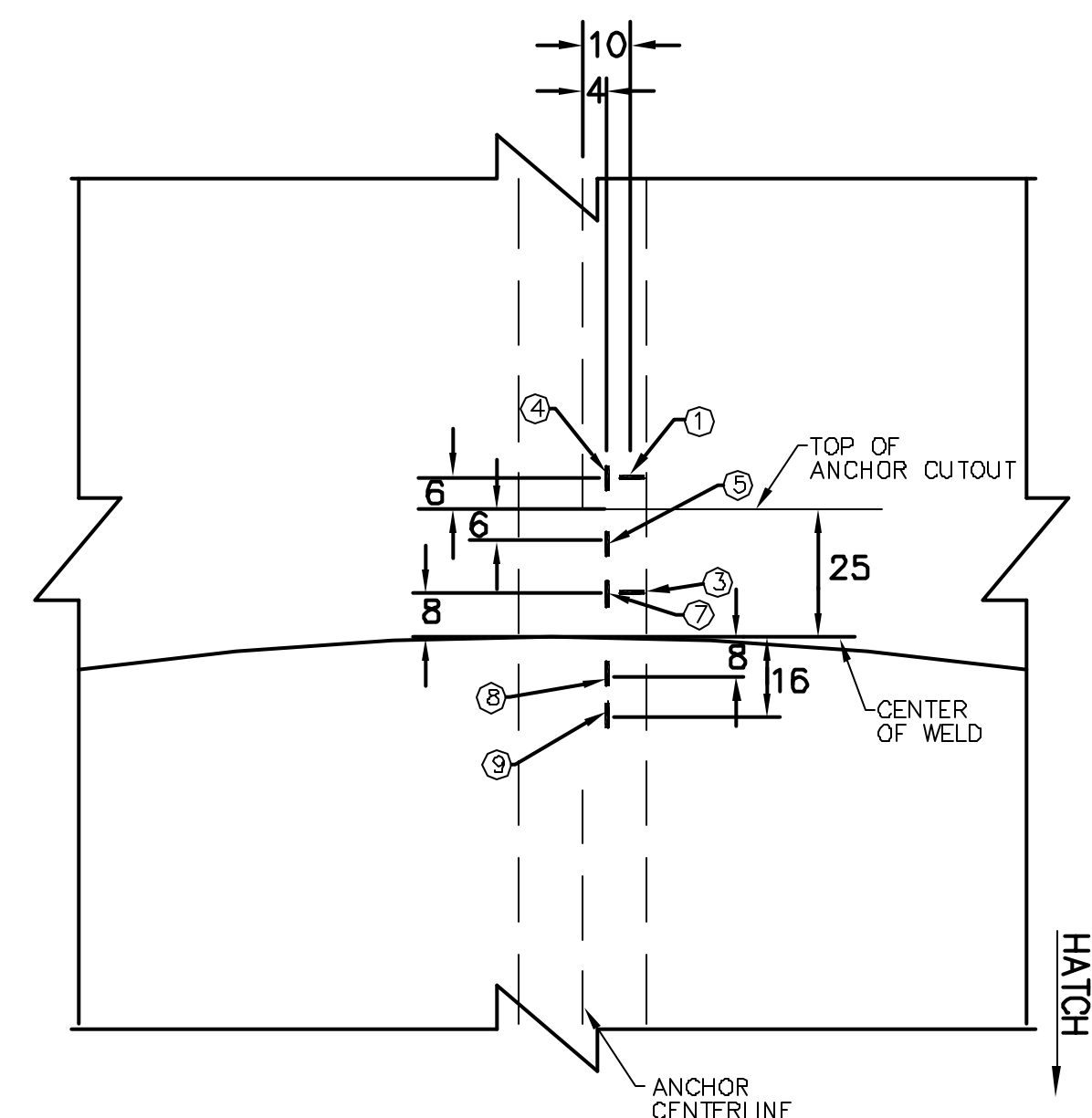


INSIDE VIEW
 213
 213
 OUTSIDE VIEW
 213
 213

INSTRUMENTATION ID #			
Detail #	g.1	g.2	g.3
Azimuth	200	220	225
Elevation	9600	9600	9600
Liner #	5-9A	5-9E	5-9E
Instr. #			
①	LSI-C-G8-01	LSI-C-H8-01	LSI-C-H8-05
②	LSI-C-G8-02	LSI-C-H8-02	LSI-C-H8-06
③	LSI-C-G8-03	LSI-C-H8-03	LSI-C-H8-07
④	LSI-C-G8-04	LSI-C-H8-04	LSI-C-H8-08
⑤	LSO-C-G8-01	LSO-C-H8-01	LSO-C-H8-02



VERTICAL LINER DETAIL NEAR E/H AND A/L
 ZCD1011Ai 213
 213
 ZCD1011Ai 213
 213
 ZCD1010Ai 213
 213
 ZCD1010Ai 213

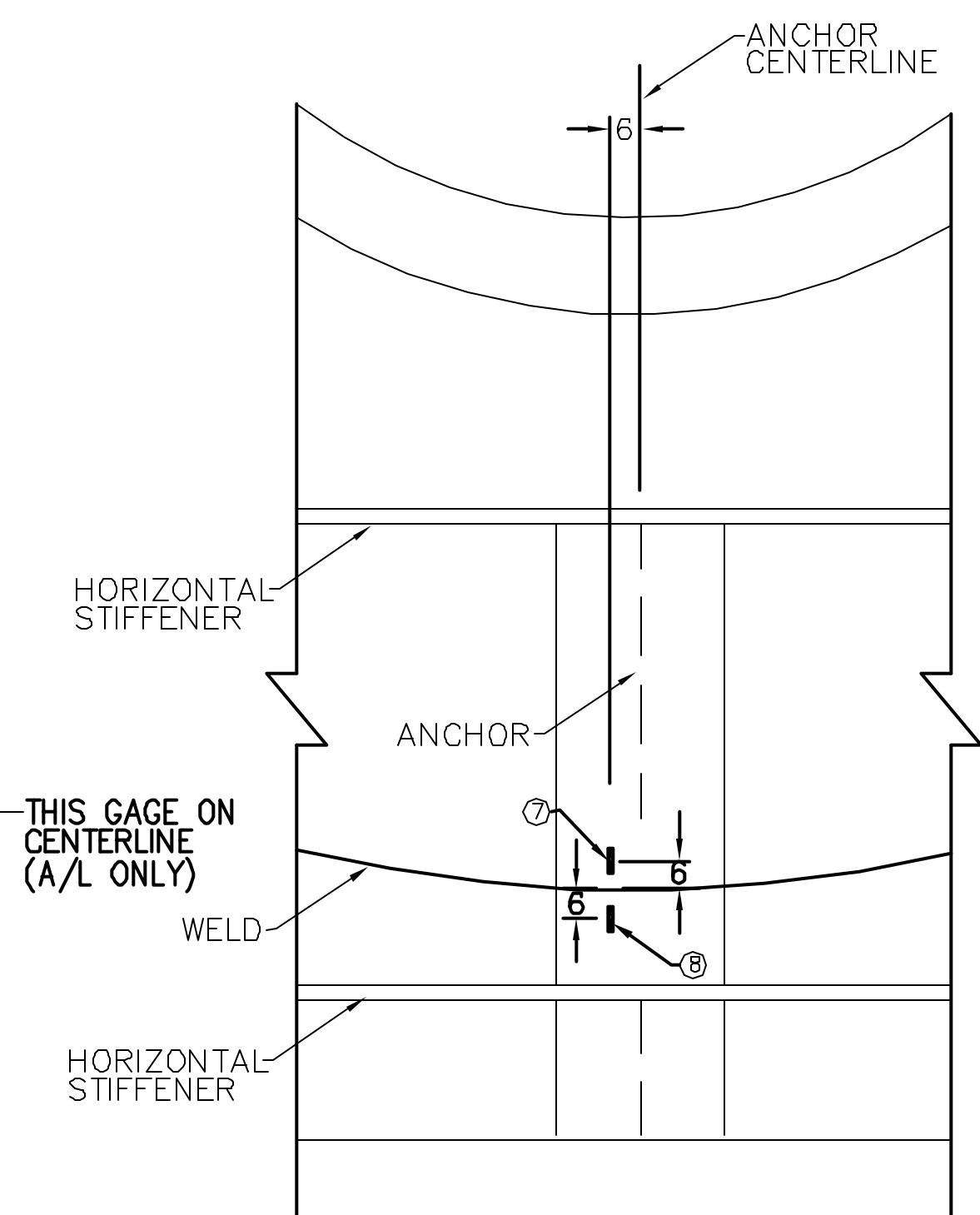
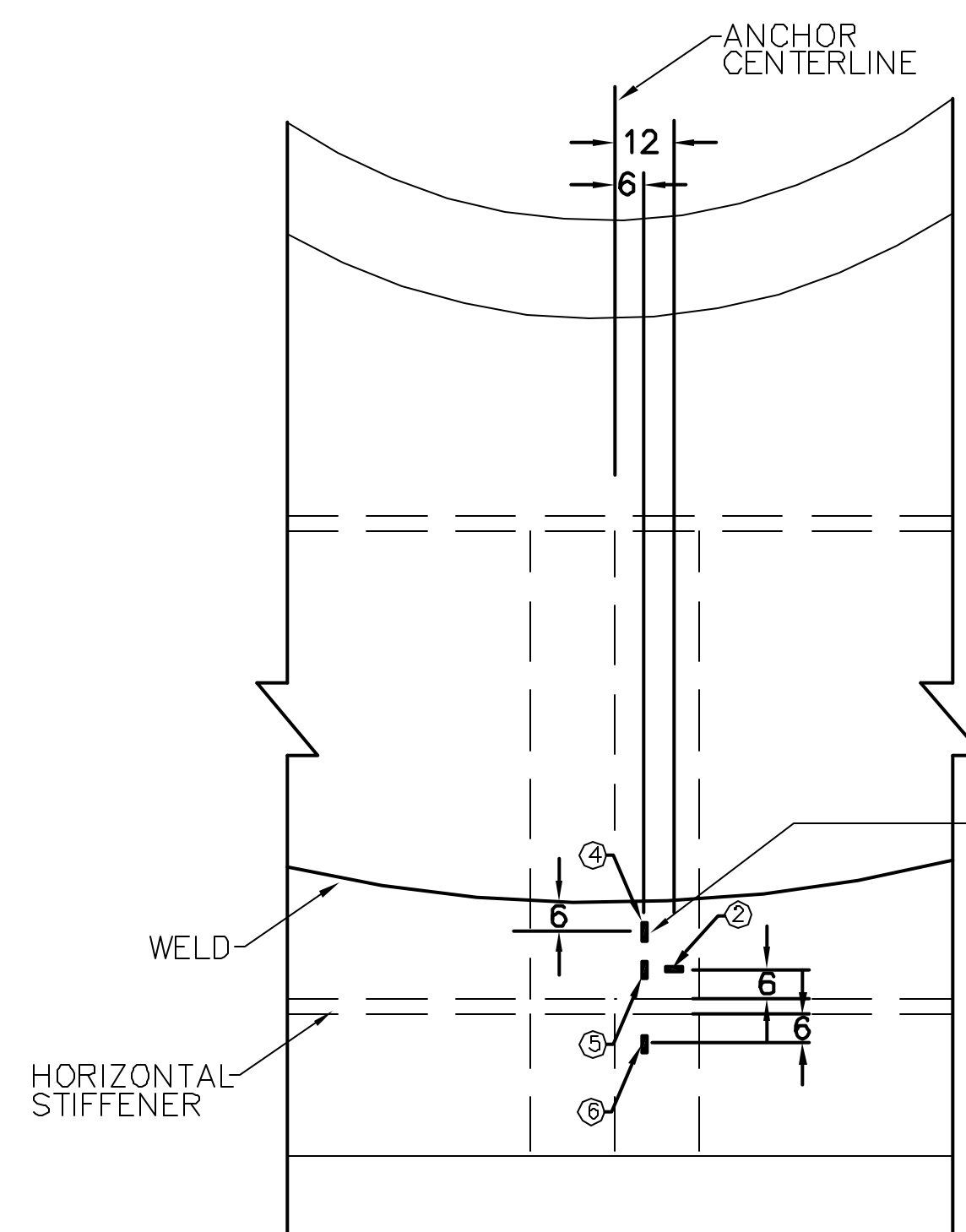
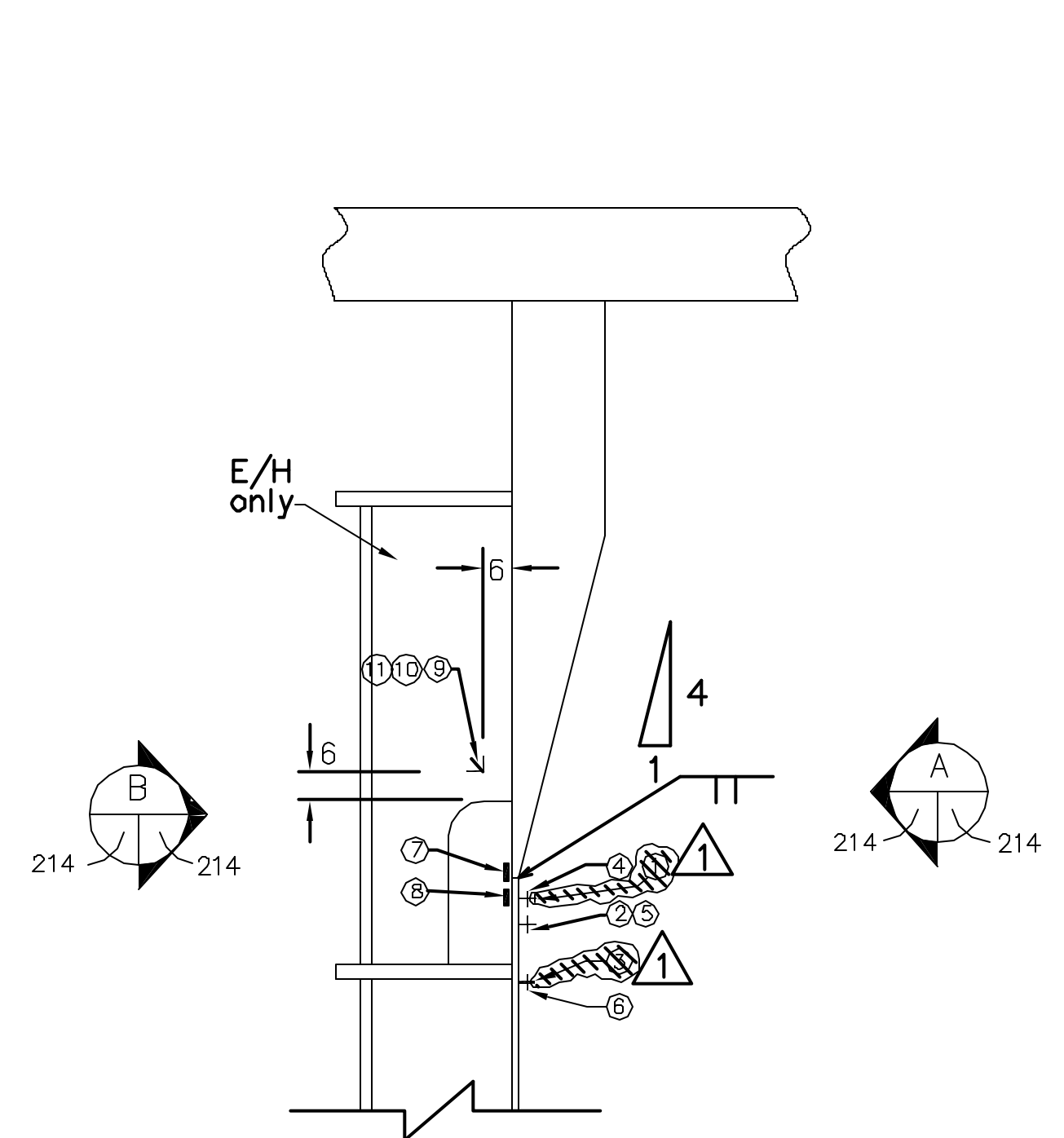


INSIDE VIEW
 213
 213

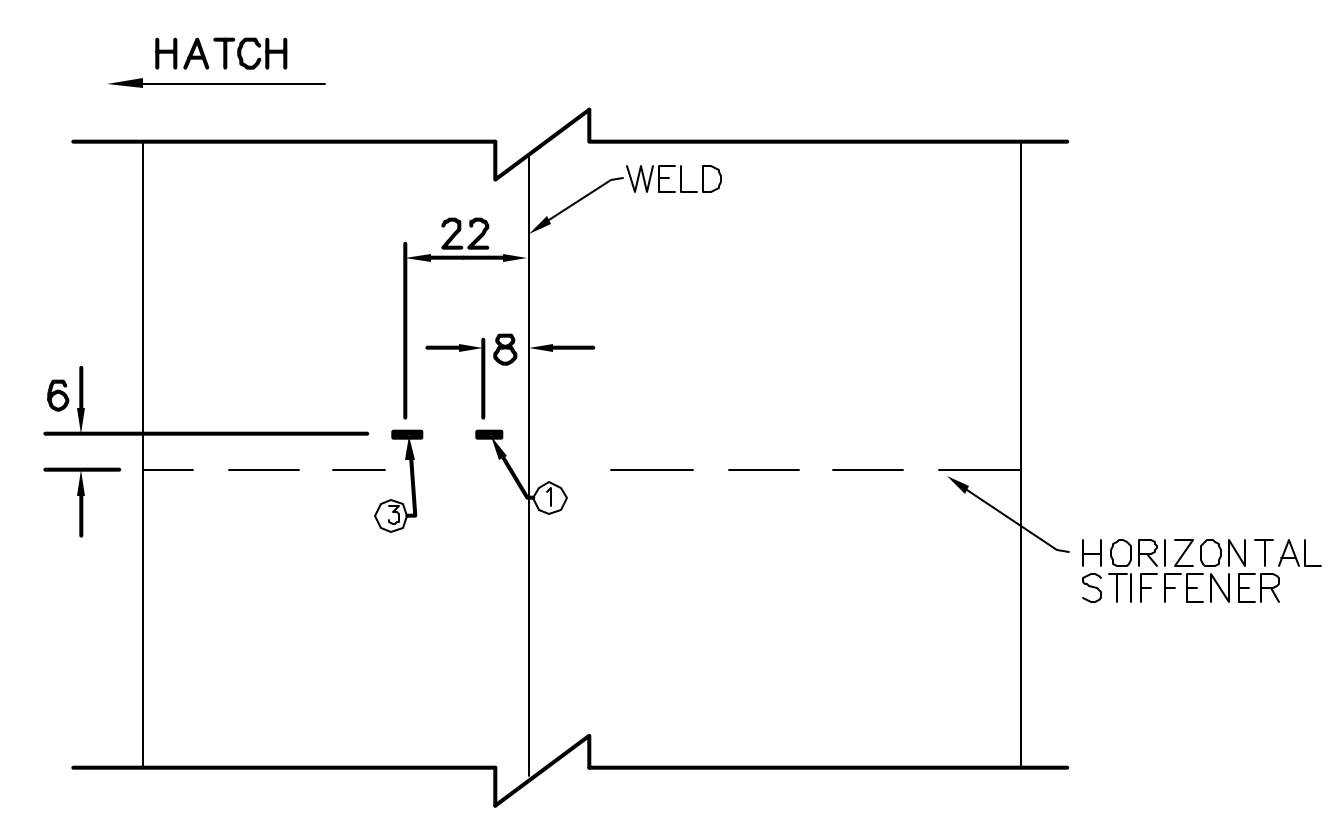
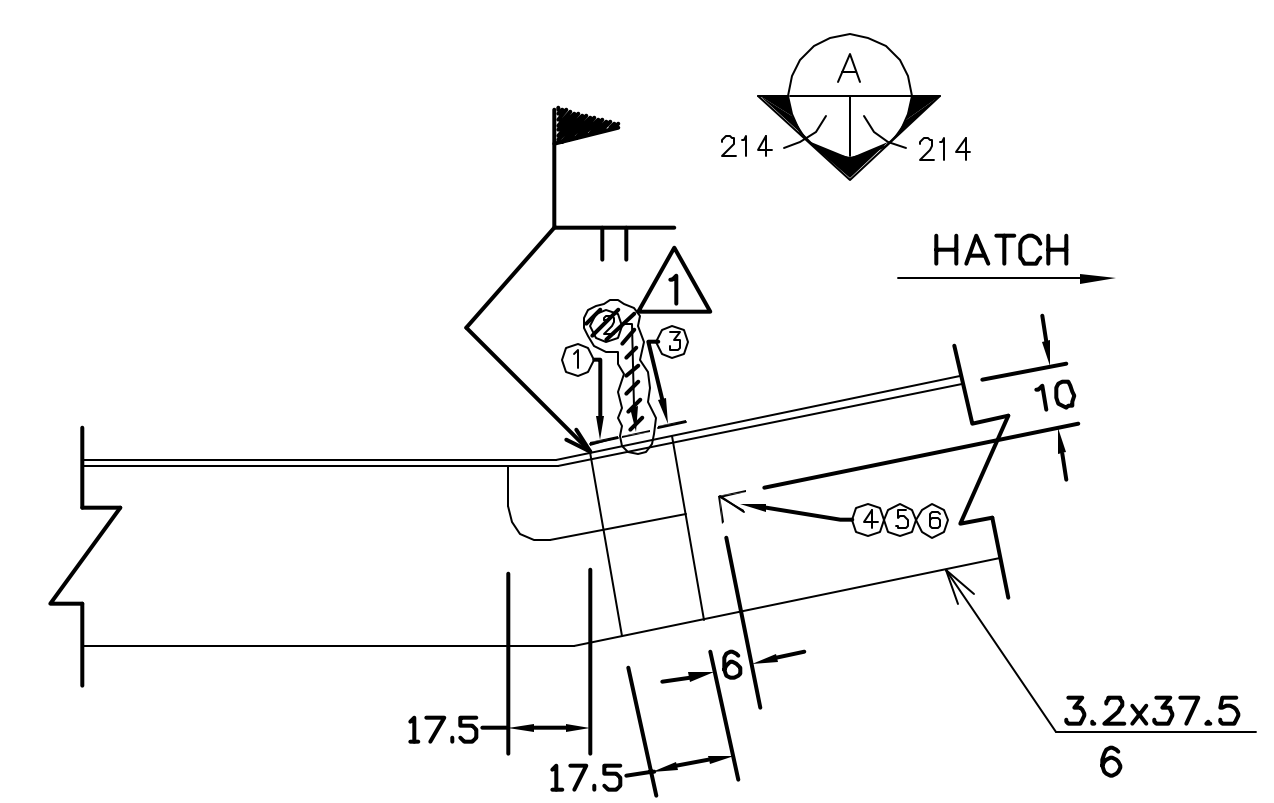
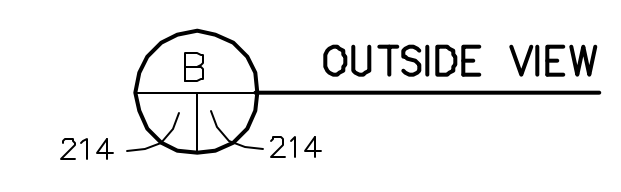
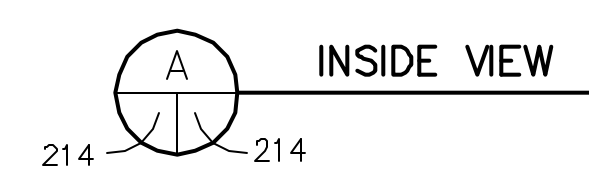
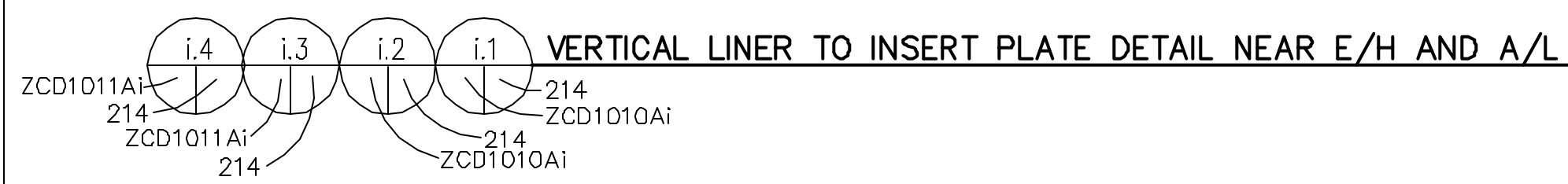
INSTRUMENTATION ID #				
Detail #	h.1	h.2	h.3	h.4
Azimuth	324	324	62	62
Elevation	2446	6904	3575	5475
Liner #	2-11D/2-11E	3-11B/3-11A	2-2B/2-2C	3-3D/3-3C
Instr. #				
①	LSI-C-L4-02	LSI-C-L6-02	LSI-C-C4-01	LSI-C-C6-01
②	LSI-C-L4-03	LSI-C-L6-03	LSI-C-C4-02	LSI-C-C6-02
③	LSI-C-L4-04	LSI-C-L6-04	LSI-C-C4-03	LSI-C-C6-03
④	LSI-M-L4-02	LSI-M-L6-02	LSI-M-C4-01	LSI-M-C6-01
⑤	LSI-M-L4-03	LSI-M-L6-03	LSI-M-C4-02	LSI-M-C6-02
⑥	LSI-M-L4-04	LSI-M-L6-04	LSI-M-C4-03	LSI-M-C6-03
⑦	LSI-M-L4-05	LSI-M-L6-05	LSI-M-C4-04	LSI-M-C6-04
⑧	LSI-M-L4-06	LSI-M-L6-06	LSI-M-C4-05	LSI-M-C6-05
⑨	LSI-M-L4-07	LSI-M-L6-07	LSI-M-C4-06	LSI-M-C6-06
⑩	LRA-R-L4-1r	LRA-R-L6-1r	LRA-R-C4-1r	LRA-R-C6-1r
⑪	LRA-R-L4-1d	LRA-R-L6-1d	LRA-R-C4-1d	LRA-R-C6-1d
⑫	LRA-R-L4-1m	LRA-R-L6-1m	LRA-R-C4-1m	LRA-R-C6-1m

① = BELOW E/H ONLY

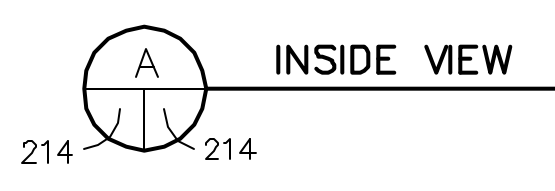
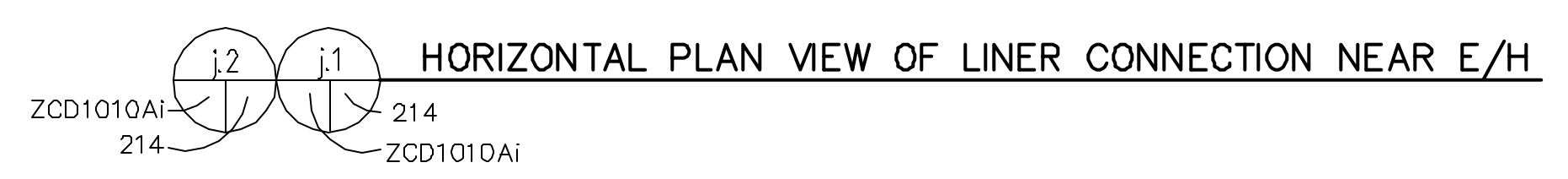
REVISION					
NO.	DATE	DRAWN BY	CHECKED BY	APPROVED BY	NOTES
0	Feb 4, 1998	T. Martinez			
1	July 20, 1999	J. Tenorio			Gages Removed
NUPEC/NRC PCCV STRUCTURAL BEHAVIOR TEST MODEL					
DRAWING NO.	INSTRUMENTED LINER DETAILS			SCALE	
D-SN-P-213	DETAIL g & h			1/1	
SANDIA NATIONAL LABORATORIES FACILITIES ENGINEERING					
ALBUQUERQUE, NEW MEXICO; LIVERMORE, CALIFORNIA; TONOPAH, NEVADA					



INSTRUMENTATION ID #				
Detail #	i.1	i.2	i.3	i.4
Azimuth	324	324	62	62
Elevation	3782	5588	4153	4897
Liner #	2-11C	3-11C	2-2A	3-3D
Instr. #				
①	LSI-C-L5-02	LSI-C-L5-05	LSI-C-C5-22	LSI-C-C5-25
②	LSI-C-L5-03	LSI-C-L5-06	LSI-C-C5-23	LSI-C-C5-26
③	LSI-C-L5-04	LSI-C-L5-07	LSI-C-C5-24	LSI-C-C5-27
④	LSI-M-L5-02	LSI-M-L5-05	LSI-M-C5-02	LSI-M-C5-05
⑤	LSI-M-L5-03	LSI-M-L5-06	LSI-M-C5-03	LSI-M-C5-06
⑥	LSI-M-L5-04	LSI-M-L5-07	LSI-M-C5-04	LSI-M-C5-07
⑦	LSO-M-L5-01	LSO-M-L5-03	LSO-M-C5-01	LSO-M-C5-03
⑧	LSO-M-L5-02	LSO-M-L5-04	LSO-M-C5-02	LSO-M-C5-04
⑨	LRA-R-L5-1r	LRA-R-L5-2r	N/A	N/A
⑩	LRA-R-L5-1d	LRA-R-L5-2d	N/A	N/A
⑪	LRA-R-L5-1m	LRA-R-L5-2m	N/A	N/A



INSTRUMENTATION ID #		
Detail #	j.1	j.2
Azimuth	305	340
Elevation	4700	4700
Liner #	2-10A	2-12A
Instr. #		
①	LSI-C-K5-12	LSI-C-A5-12
②	LSI-C-K5-13	LSI-C-A5-13
③	LSI-C-K5-14	LSI-C-A5-14
④	LRS-R-K5-1r	LRS-R-A5-1r
⑤	LRS-R-K5-1d	LRS-R-A5-1d
⑥	LRS-R-K5-1h	LRS-R-A5-1h

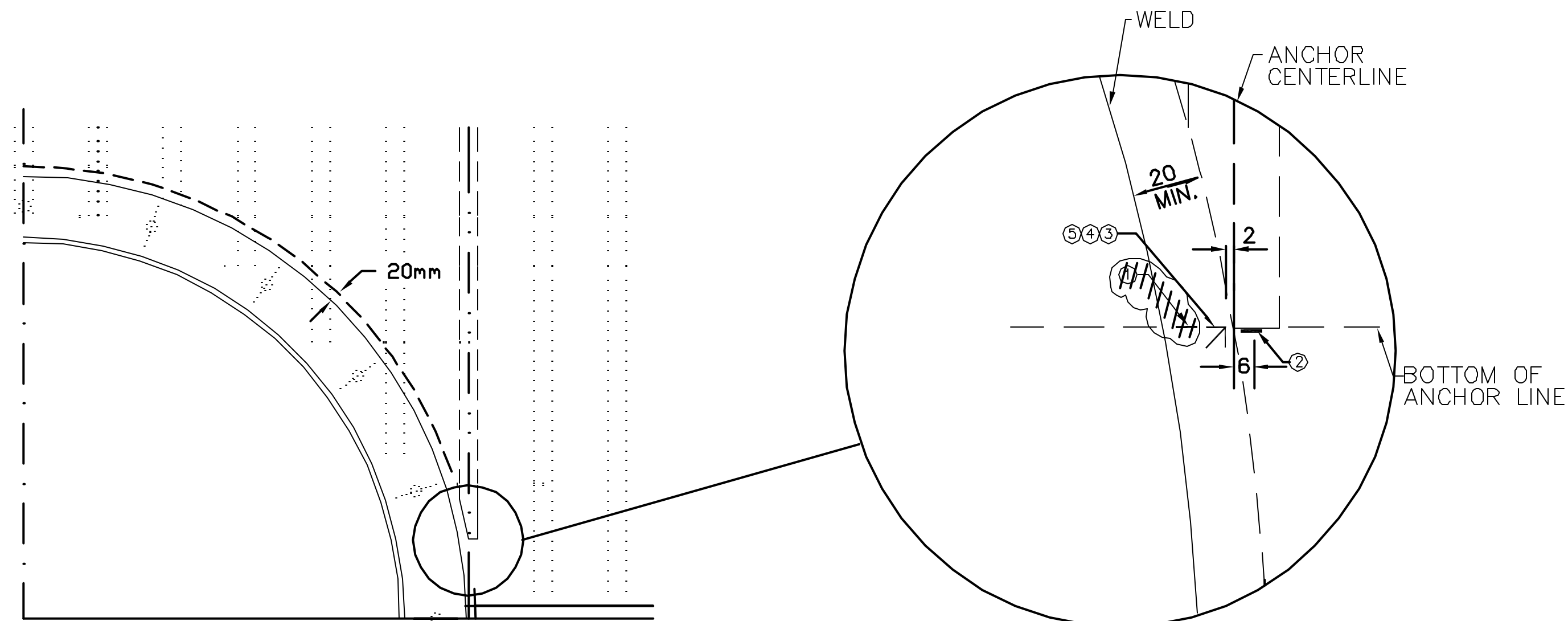


REVISION					
NO.	DATE	DRAWN BY	CHECKED BY	APPROVED BY	NOTES
0	Feb 4, 1988	T. Martinez			
1	July 20, 1999	J. Tenorio			Removed Gages

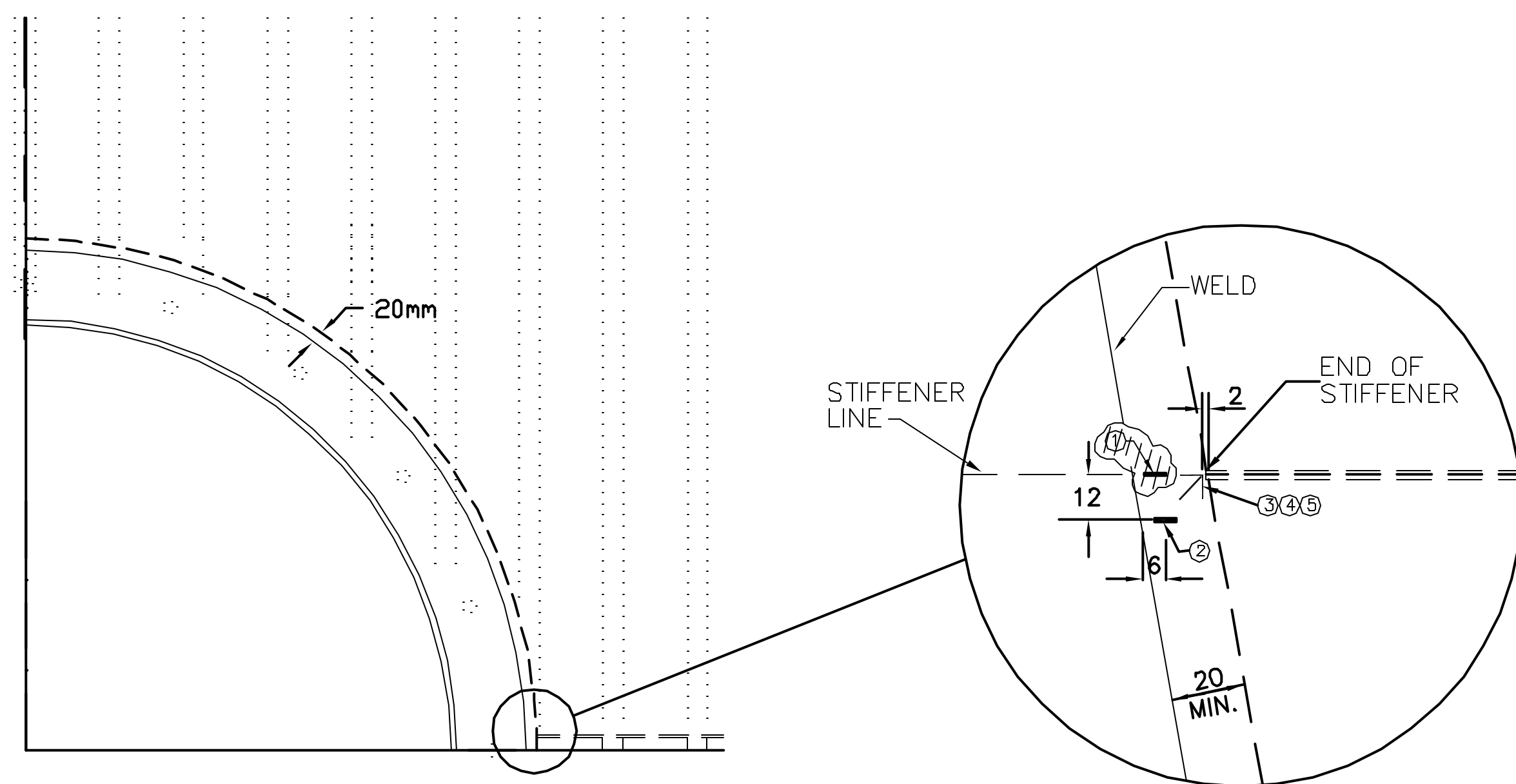
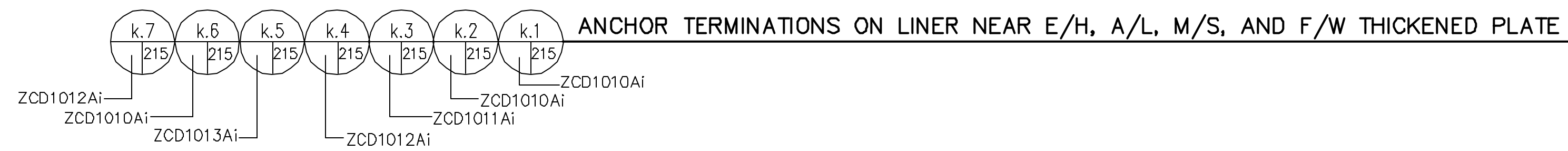
NUPEC/NRC PCCV STRUCTURAL BEHAVIOR TEST MODEL

DRAWING NO. INSTRUMENTED LINER DETAILS SCALE 1/1
 D-SN-P-214 DETAIL i & j

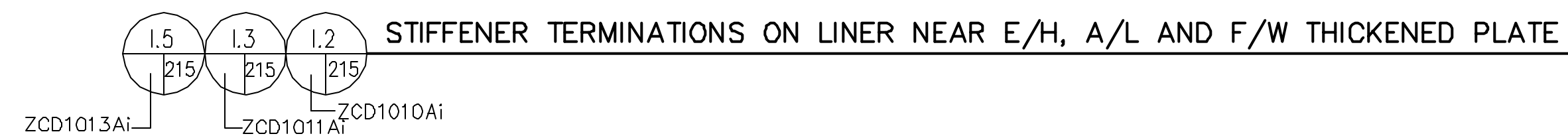
SANDIA NATIONAL LABORATORIES FACILITIES ENGINEERING
 ALBUQUERQUE, NEW MEXICO; LIVERMORE, CALIFORNIA; TONOPAH, NEVADA



INSTRUMENTATION ID #							
Detail #	k.1	k.2	k.3	k.4	k.5	k.6	k.7
Azimuth	314	334	58	162	164	314	198
Elevation	4550	4800	(4700)	5200	2600	4800	5200
Liner #	2-11A	3-11E	2-2A	3-7C	2-6C	3-11D	3.7C
Instr. #							
①	LSI-C-L5-08	LSI-C-L5-10	LSI-C-C5-28	LSI-C-F5-06	LSI-C-F4-06	LSI-C-L5-16	LSI-C-H5-06
②	LSI-C-L5-09	LSI-C-L5-11	LSI-C-C5-29	LSI-C-F5-07	LSI-C-F4-06	LSI-C-L5-23	LSI-C-H5-07
③	LRI-M-L5-1h	LRI-M-L5-2h	LRI-M-C5-1h	LRI-M-F5-1h	LRI-M-F4-1h	LRI-M-L5-5h	LRI-M-H5-1h
④	LRI-M-L5-1d	LRI-M-L5-2d	LRI-M-C5-1d	LRI-M-F5-1d	LRI-M-F4-1d	LRI-M-L5-5d	LRI-M-H5-1d
⑤	LRI-M-L5-1m	LRI-M-L5-2m	LRI-M-C5-1m	LRI-M-F5-1m	LRI-M-F4-1m	LRI-M-L5-5m	LRI-M-H5-1m



INSTRUMENTATION ID #					
Detail #	1.1	1.2	1.3	1.4	1.5
Azimuth	334	(314)	58	66	165
Elevation	4700	(4700)	4600	4600	2350
Liner #	3-11D	3-11E	2-2A	2-2A	2-6C
Instr. #					
①	LSI-C-L5-12	LSI-C-L5-14	LSI-C-C5-30	LSI-C-C5-32	LSI-C-F4-07
②	LSI-C-L5-13	LSI-C-L5-15	LSI-C-C5-31	LSI-C-C5-33	LSI-C-F4-08
③	LRI-M-L5-3h	LRI-M-L5-4h	LRI-M-C5-2h	LRI-M-C5-3h	LRI-M-F4-2h
④	LRI-M-L5-3d	LRI-M-L5-4d	LRI-M-C5-2d	LRI-M-C5-3d	LRI-M-F4-2d
⑤	LRI-M-L5-3m	LRI-M-L5-4m	LRI-M-C5-2m	LRI-M-C5-3m	LRI-M-F4-2m

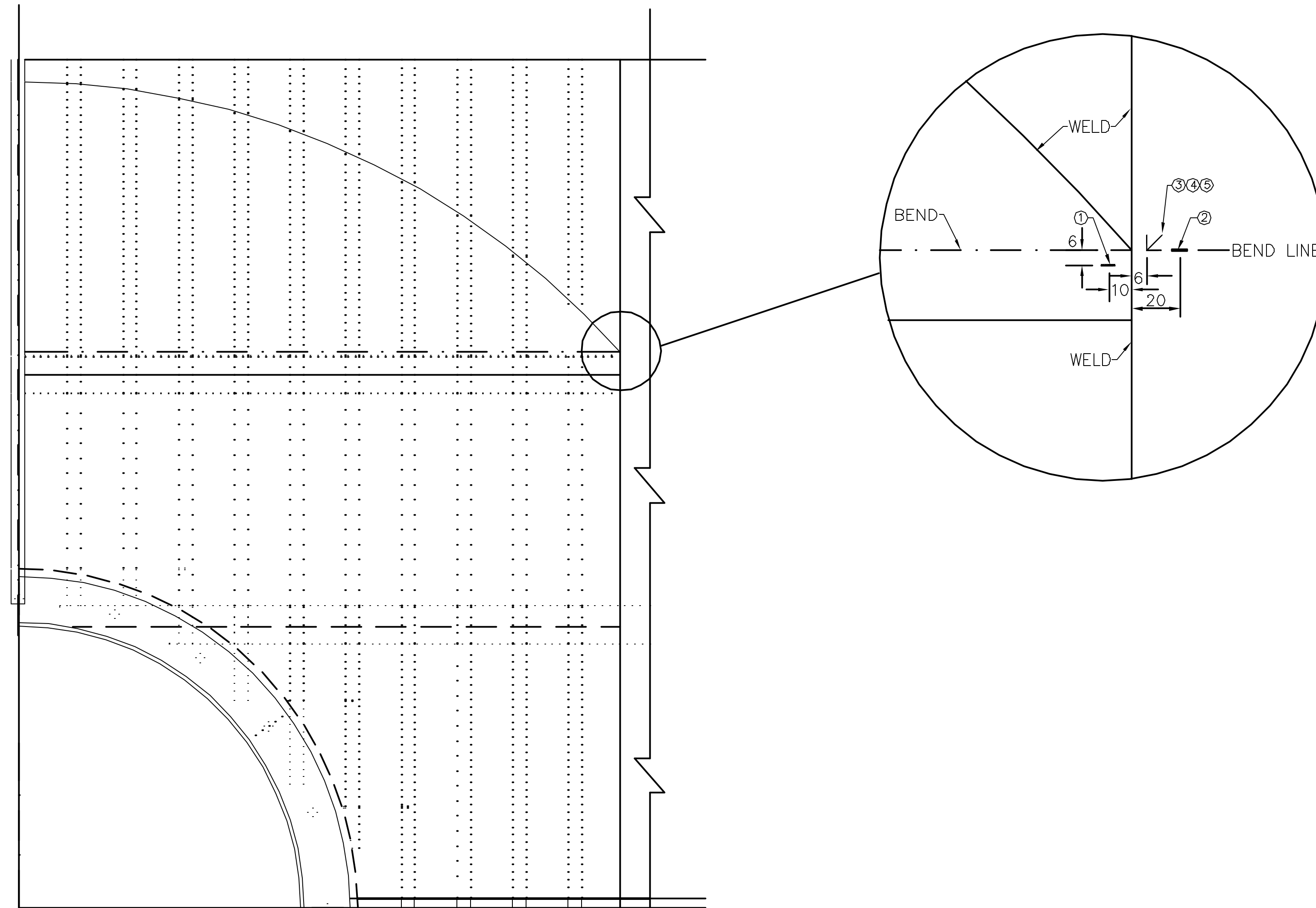


REVISION					
NO.	DATE	DRAWN BY	CHECKED BY	APPROVED BY	NOTES
0	Feb. 4, 1998	T. Martinez			
1	July 20, 1998	J. Tenorio			Modified Gages

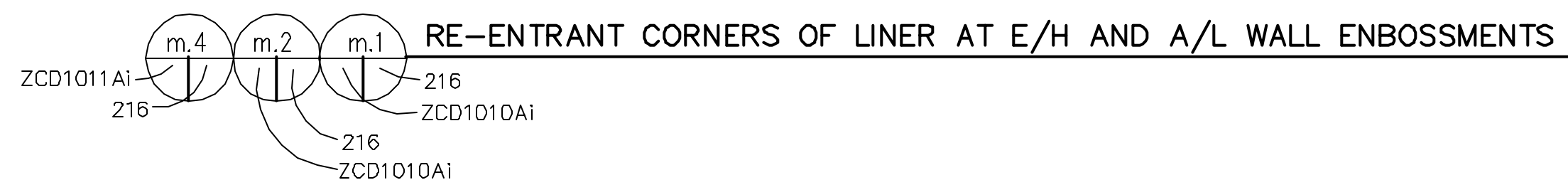
NUPEC/NRC PCCV STRUCTURAL BEHAVIOR TEST MODEL

DRAWING NO. INSTRUMENTED LINER DETAILS SCALE 1/1
 D-SN-P-215 DETAIL k & l

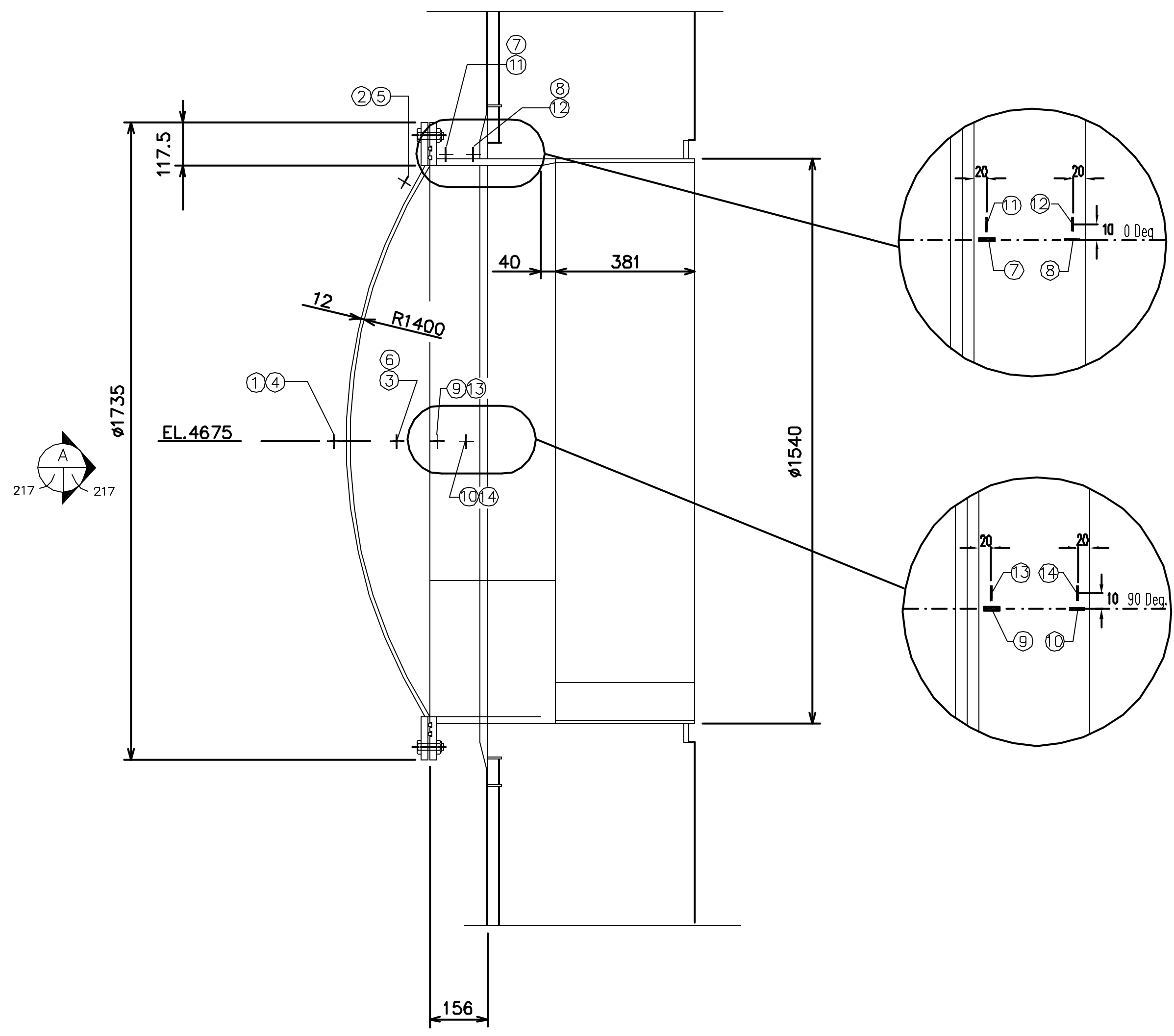
SANDIA NATIONAL LABORATORIES ENGINEERING
 ALBUQUERQUE, NEW MEXICO; LIVERMORE, CALIFORNIA; TONOPAH, NEVADA



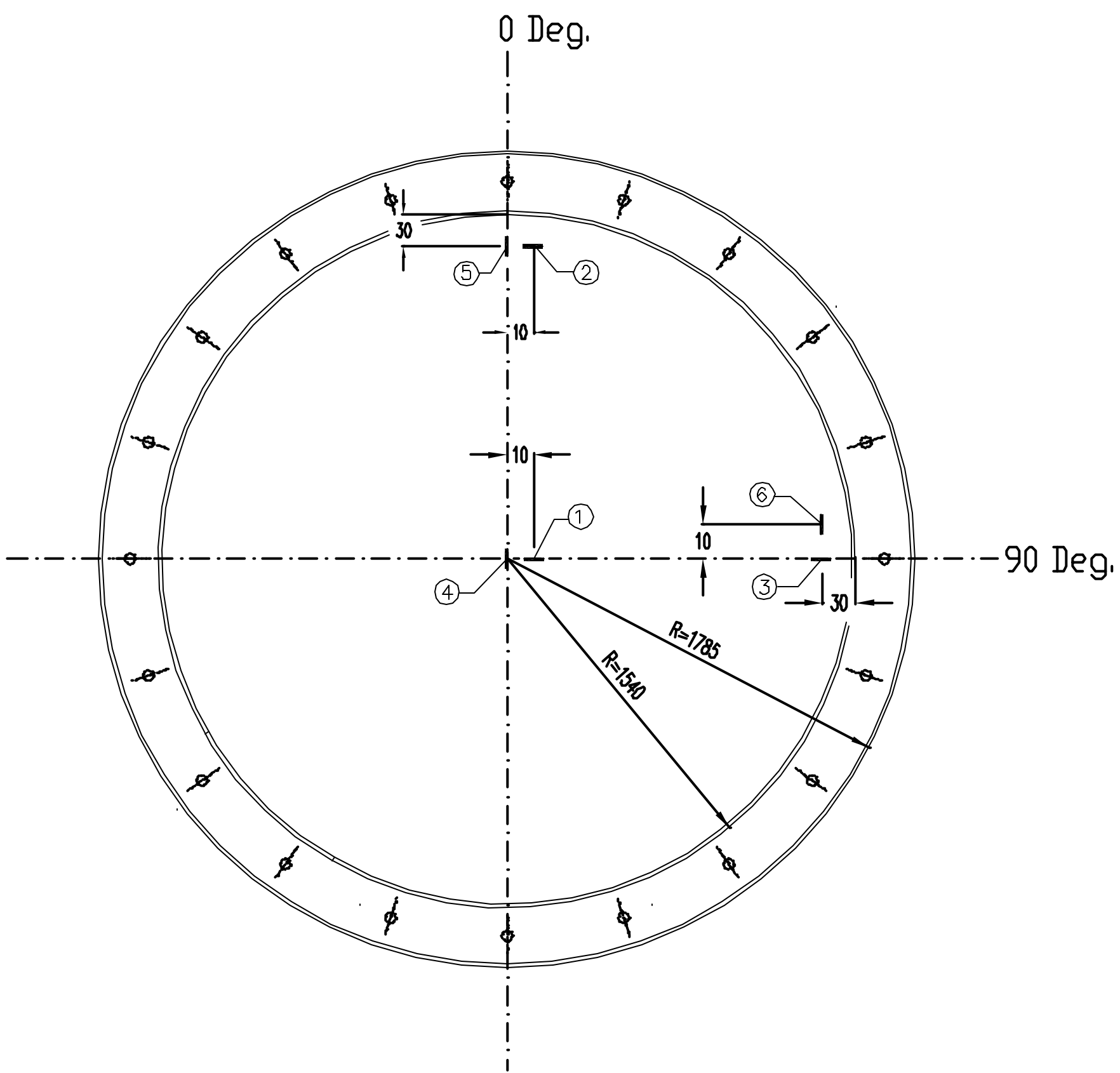
Detail #	INSTRUMENTATION ID #			
	m.1	m.2	m.3	m.4
Azimuth	(310)	(310)	(50)	(70)
Elevation	3200	6150	3825	5175
Liner #	2-11D/2-12B	3-11B/3-12B	2-2B/2-1A	3-3D/3-2C
Instr. #				
①	LSI-C-A4-01	LSI-C-A6-01	LSI-C-C5-34	LSI-C-C5-36
②	LSI-C-A4-02	LSI-C-A6-02	LSI-C-C5-35	LSI-C-C5-37
③	LRI-M-A4-1h	LRI-M-A6-1h	LRI-M-C5-4h	LRI-M-C5-5h
④	LRI-M-A4-1d	LRI-M-A6-1d	LRI-M-C5-4d	LRI-M-C5-5d
⑤	LRI-M-A4-1m	LRI-M-A6-1m	LRI-M-C5-4m	LRI-M-C5-5m



REVISION					
NO.	DATE	DRAWN BY	CHECKED BY	APPROVED BY	NOTES
0	Feb. 4, 1988	T. Martinez			
1	July 20, 1999	J. Tenorio			Removed Gages
NUPEC/NRC PCCV STRUCTURAL BEHAVIOR TEST MODEL					
DRAWING NO.	INSTRUMENTED LINER DETAILS			SCALE	
D-SN-P-216	DETAIL m			1/1	
SANDIA NATIONAL LABORATORIES FACILITIES ENGINEERING					
ALBUQUERQUE, NEW MEXICO; LIVERMORE, CALIFORNIA; TONOPAH, NEVADA					

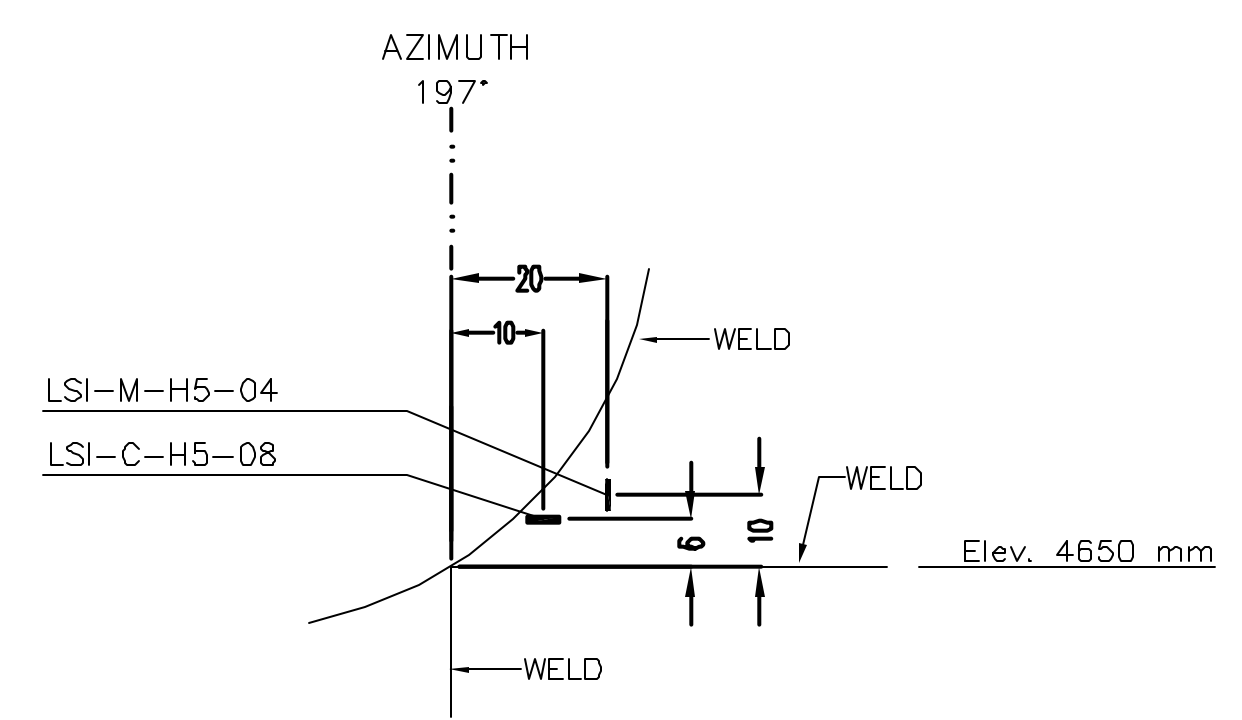


n.1 E/H DETAIL
ZCD1010Ai-217



A INSIDE VIEW
217-217

Instr. #	Detail #	INSTRUMENTATION ID #		
		Azimuth	Elevation (mm)	Radial Dist.(mm)
①	LSI-C-L5-16	324	4675	4850
②	LSI-C-L5-17	324	5460	4930
③	LSI-C-L5-18	333	4675	4930
④	LSI-M-L5-08	324	4675	4850
⑤	LSI-M-L5-09	324	5460	4930
⑥	LSI-M-L5-10	333	4675	4930
⑦	LSI-M-L5-11	324	5460	4980
⑧	LSI-M-L5-12	324	5460	5030
⑨	LSI-M-L5-13	333	4675	4980
⑩	LSI-M-L5-14	333	4675	5030
⑪	LSI-C-L5-19	324	5460	4980
⑫	LSI-C-L5-20	324	5460	5030
⑬	LSI-C-L5-21	333	4675	4980
⑭	LSI-C-L5-22	333	4675	5030



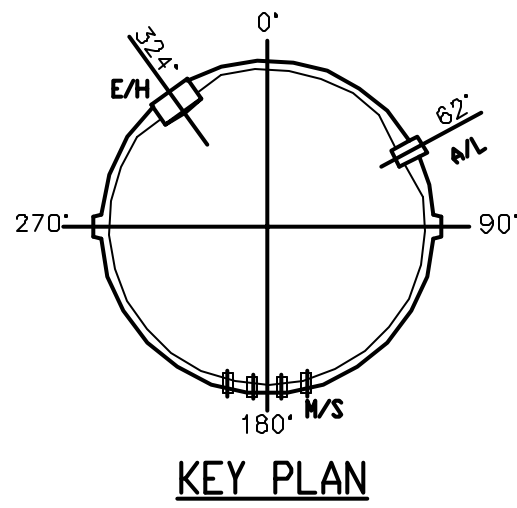
o.1 M/S CORNER WELD DETAIL (INSIDE VIEW)
217-217

REVISION					
NO.	DATE	DRAWN BY	CHECKED BY	APPROVED BY	NOTES
0	Feb 4, 1998	J. Tenorio			
1	July 21, 1998	J. Tenorio			Add Detail O.1

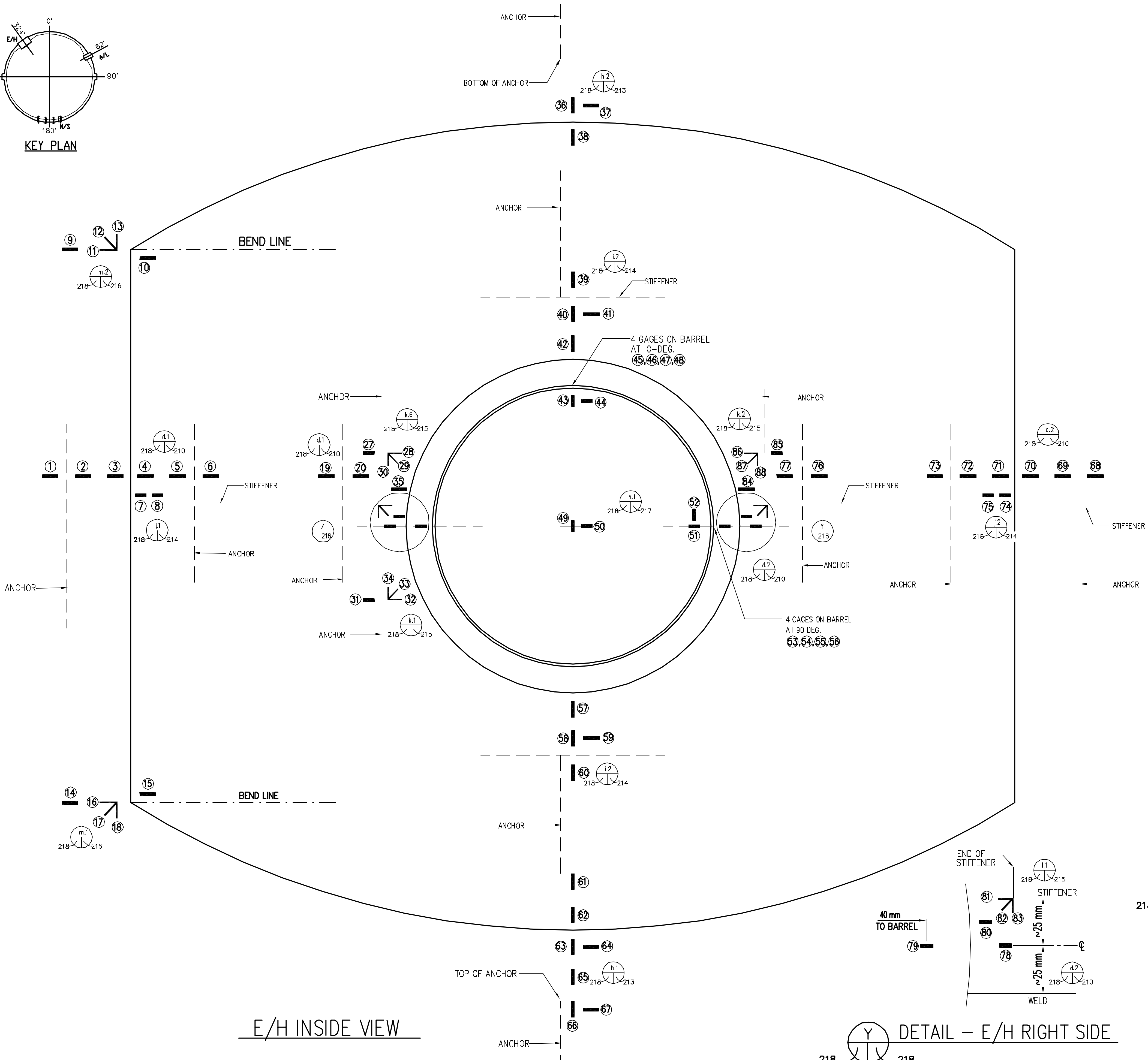
NUPEC/NRC PCCV STRUCTURAL BEHAVIOR TEST MODEL

DRAWING NO. D-SN-P-217	INSTRUMENTATION LINER DETAILS DETAIL - n	SCALE 1/6
---------------------------	---	--------------

SANDIA NATIONAL LABORATORIES FACILITIES ENGINEERING
ALBUQUERQUE, NEW MEXICO; LIVERMORE, CALIFORNIA; TONOPAH, NEVADA

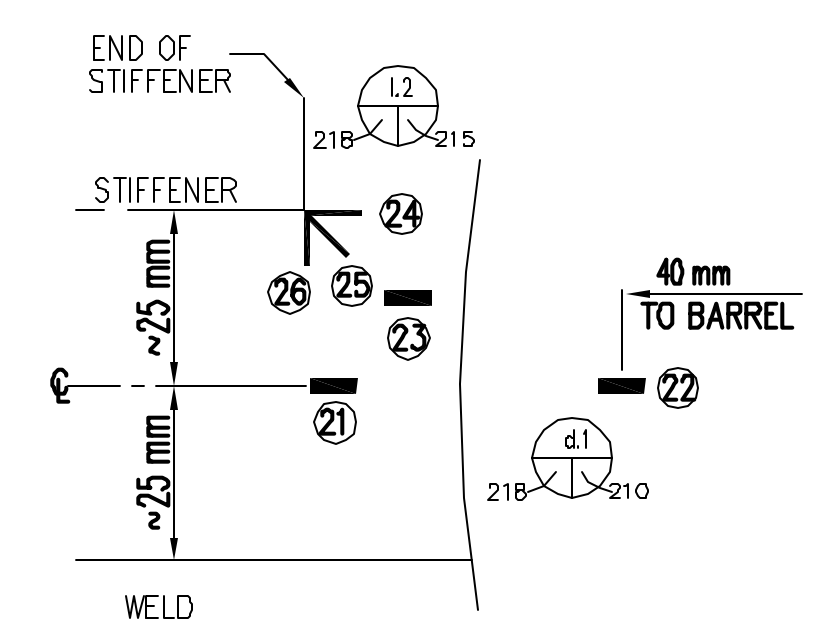


KEY PLAN

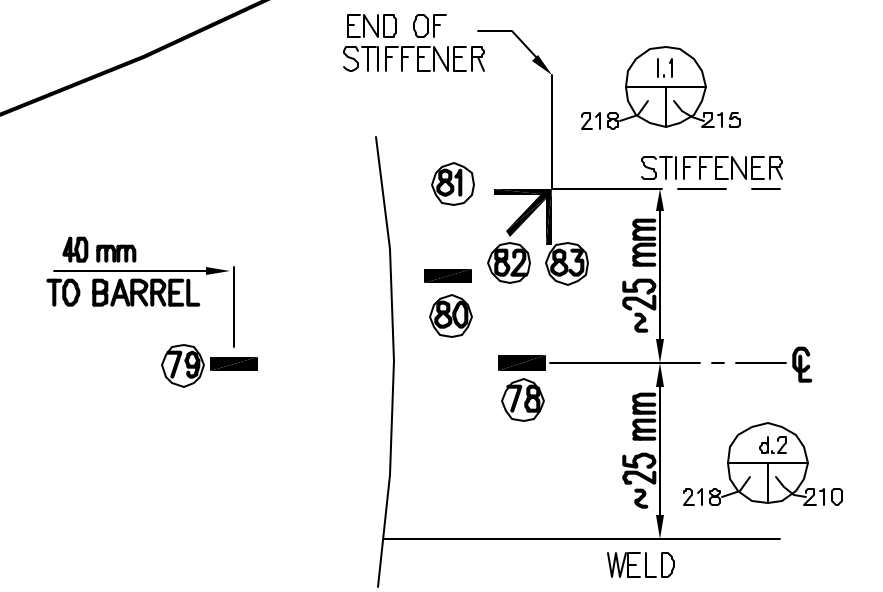


E/H INSIDE VIEW

INSTRUMENTATION GAGES					
Instr. #	Labeling	Details	Instr. #	Labeling	Details
	(Name)	D-SN-P-		(Name)	D-SN-P-
1	LSI-C-K5-11	210/(d.1)	45	LSI-M-L5-12	217/(n.1)
2	LSI-C-K5-10	210/(d.1)	47	LSI-C-L5-19	217/(n.1)
3	LSI-C-K5-09	210/(d.1)	48	LSI-C-L5-20	217/(n.1)
4	LSI-C-K5-08	210/(d.1)	49	LSI-M-L5-08	217/(n.1)
5	LSI-C-K5-07	210/(d.1)	50	LSI-C-L5-16	217/(n.1)
6	LSI-C-K5-06	210/(d.1)	51	LSI-C-L5-18	217/(n.1)
7	LSI-C-K5-12	214/(i.1)	52	LSI-M-L5-10	217/(n.1)
8	LSI-C-K5-14	214/(i.1)	53	LSI-M-L5-13	217/(n.1)
9	LSI-C-A6-02	216/(m.2)	54	LSI-M-L5-14	217/(n.1)
10	LSI-C-A6-01	216/(m.2)	55	LSI-C-L5-21	217/(n.1)
11	LRI-M-A6-1h	216/(m.2)	56	LSI-C-L5-22	217/(n.1)
12	LRI-M-A6-1d	216/(m.2)	57	LSI-M-L5-02	214/(i.1)
13	LRI-M-A6-1m	216/(m.2)	58	LSI-M-L5-03	214/(i.1)
14	LSI-C-A4-02	216/(m.1)	59	LSI-C-L5-03	214/(i.1)
15	LSI-C-A4-01	216/(m.1)	60	LSI-M-L5-04	214/(i.1)
16	LRI-M-A4-1h	216/(m.1)	61	LSI-M-L4-07	213/(h.1)
17	LRI-M-A4-1d	216/(m.1)	62	LSI-M-L4-06	213/(h.1)
18	LRI-M-A4-1m	216/(m.1)	63	LSI-M-L4-05	213/(h.1)
19	LSI-C-K5-05	210/(d.1)	64	LSI-C-L4-04	213/(h.1)
20	LSI-C-K5-04	210/(d.1)	65	LSI-M-L4-03	213/(h.1)
21	LSI-C-K5-03	210/(d.1)	66	LSI-M-L4-02	213/(h.1)
22	LSI-C-K5-02	210/(d.1)	67	LSI-C-L4-02	213/(h.1)
23	LSI-C-L5-15	215/(l.2)	68	LSI-C-A5-11	210/(d.2)
24	LRI-M-L5-4h	215/(l.2)	69	LSI-C-A5-10	210/(d.2)
25	LRI-M-L5-4d	215/(l.2)	70	LSI-C-A5-09	210/(d.2)
26	LRI-M-L5-4m	215/(l.2)	71	LSI-C-A5-08	210/(d.2)
27	LSI-C-L5-23	215/(k.6)	72	LSI-C-A5-07	210/(d.2)
28	LRI-M-L5-5h	215/(k.6)	73	LSI-C-A5-06	210/(d.2)
29	LRI-M-L5-5d	215/(k.6)	74	LSI-C-A5-12	214/(i.2)
30	LRI-M-L5-5m	215/(k.6)	75	LSI-C-A5-14	214/(i.2)
31	LSI-C-L5-09	215/(k.1)	76	LSI-C-A5-05	210/(d.2)
32	LRI-M-L5-1h	215/(k.1)	77	LSI-C-A5-04	210/(d.2)
33	LRI-M-L5-1d	215/(k.1)	78	LSI-C-A5-03	210/(d.2)
34	LRI-M-L5-1m	215/(k.1)	79	LSI-C-A5-02	210/(d.2)
35	LSI-C-K5-15	210/(d.1)	80	LSI-C-L5-13	215/(l.1)
36	LSI-M-L6-05	213/(h.2)	81	LRI-M-L5-3h	215/(l.1)
37	LSI-C-L6-04	213/(h.2)	82	LRI-M-L5-3d	215/(l.1)
38	LSI-M-L6-06	213/(h.2)	83	LRI-M-L5-3m	215/(l.1)
39	LSI-M-L5-07	214/(i.2)	84	LSI-C-A5-15	210/(d.2)
40	LSI-M-L5-06	214/(i.2)	85	LSI-C-L5-11	215/(k.2)
41	LSI-C-L5-06	214/(i.2)	86	LRI-M-L5-2h	215/(k.2)
42	LSI-M-L5-05	214/(i.2)	87	LRI-M-L5-2d	215/(k.2)
43	LSI-M-L5-09	217/(n.1)	88	LRI-M-L5-2m	215/(k.2)
44	LSI-C-L5-17	217/(n.1)			
45	LSI-M-L5-11	217/(n.1)			



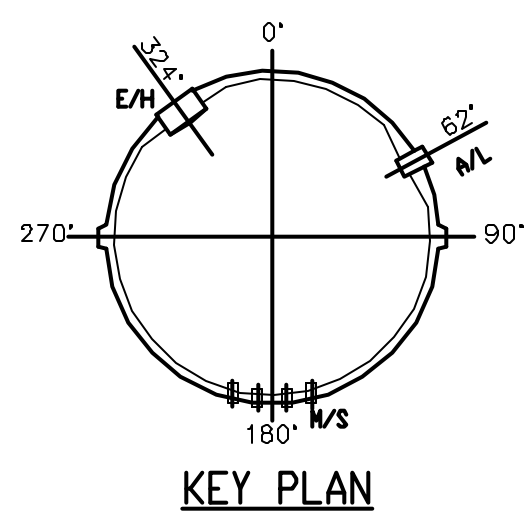
DETAIL - E/H LEFT SIDE



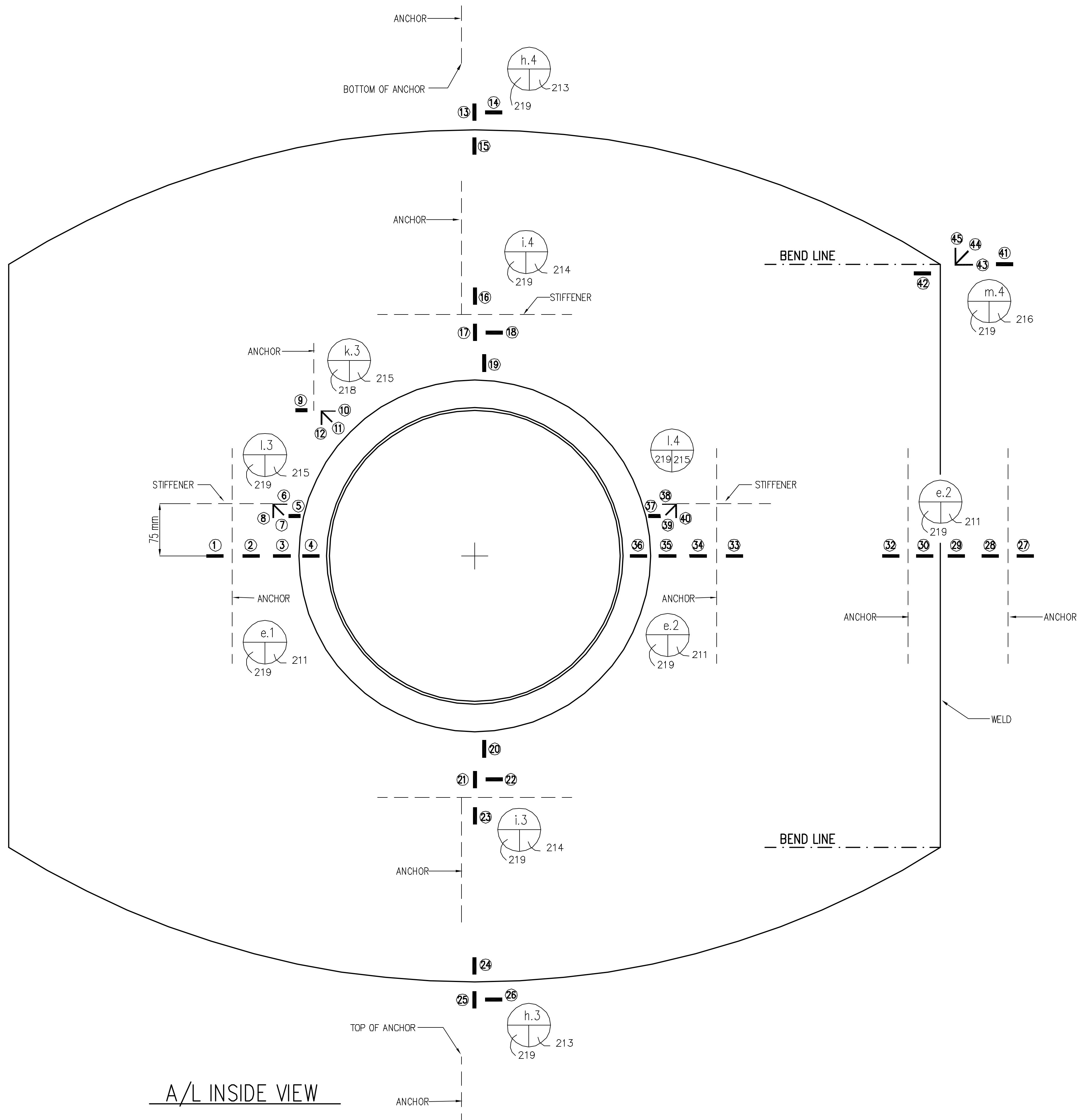
DETAIL - E/H RIGHT SIDE

REVISION					
NO.	DATE	DRAWN BY	CHECKED BY	APPROVED BY	NOTES
0	July 20, 1999	J. Tenorio			

NUPEC/NRC PCCV STRUCTURAL BEHAVIOR TEST MODEL
 DRAWING NO. INTERIOR LINER GAGE LAYOUT SCALE
 D-SN-P-218 E/H NO SCALE
 SANDIA NATIONAL LABORATORIES FACILITIES ENGINEERING
 ALBUQUERQUE, NEW MEXICO; LIVERMORE, CALIFORNIA; TONOPAH, NEVADA



KEY PLAN



A/L INSIDE VIEW

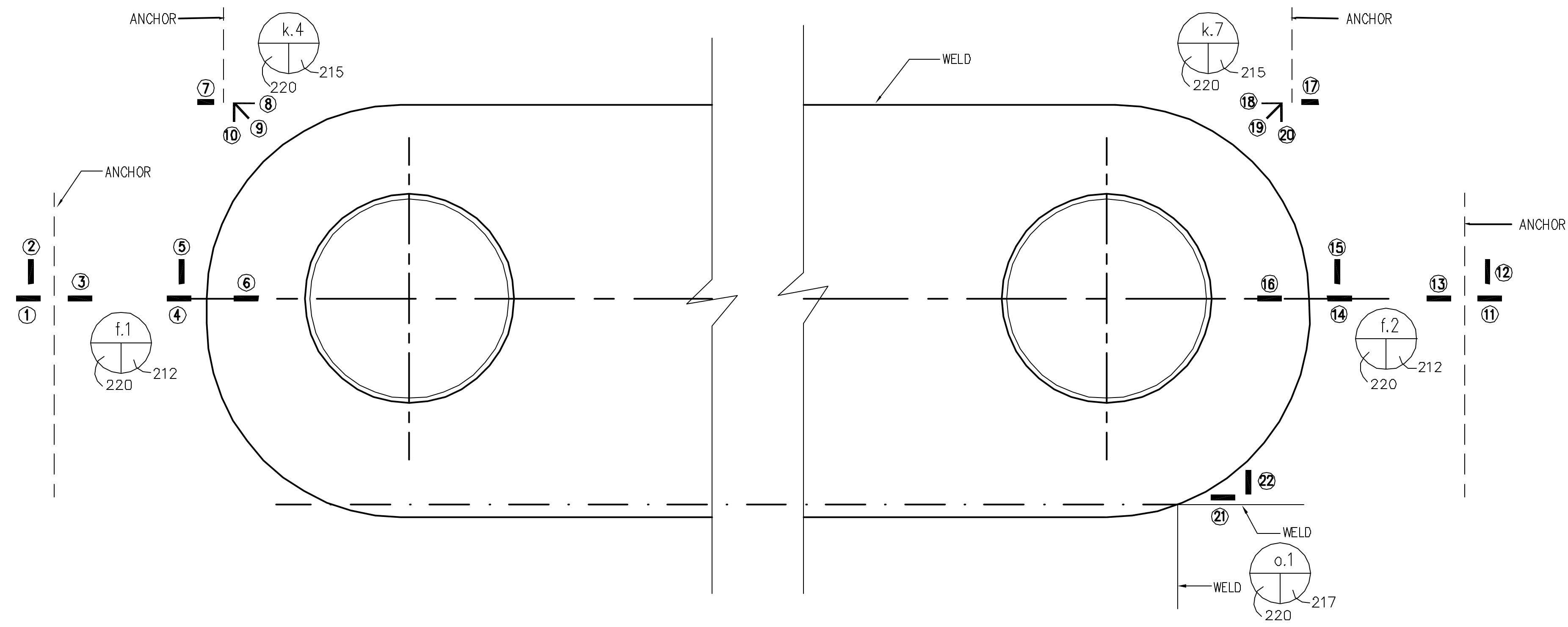
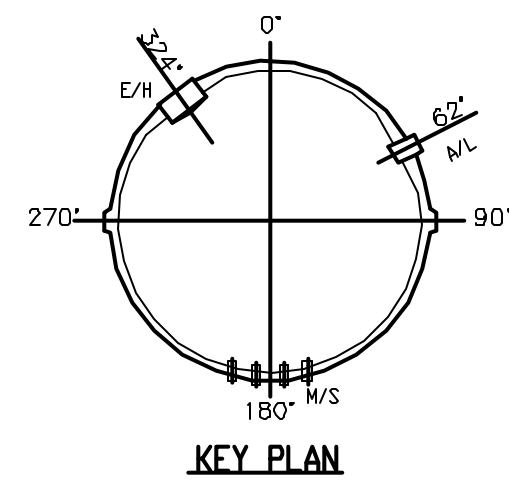
INSTRUMENTATION GAGES					
Instr. #	Labeling	Details	Instr. #	Labeling	Details
	I.D.	Drawing #		I.D.	Drawing #
	(Name)	D-SN-P-		(Name)	D-SN-P-
1	LSI-C-C5-05	211/(e.1)	28	LSI-C-C5-20	211/(e.2)
2	LSI-C-C5-04	211/(e.1)	29	LSI-C-C5-19	211/(e.2)
3	LSI-C-C5-03	211/(e.1)	30	LSI-C-C5-18	211/(e.2)
4	LSI-C-C5-02	211/(e.1)	31	LSI-C-C5-17	211/(e.2)
5	LSI-C-C5-31	215/(l.3)	32	LSI-C-C5-16	211/(e.2)
6	LRI-M-C5-2h	215/(l.3)	33	LSI-C-C5-15	211/(e.2)
7	LRI-M-C5-2d	215/(l.3)	34	LSI-C-C5-14	211/(e.2)
8	LRI-M-C5-2m	215/(l.3)	35	LSI-C-C5-13	211/(e.2)
9	LSI-C-C5-29	215/(k.3)	36	LSI-C-C5-12	211/(e.2)
10	LRI-M-C5-1h	215/(k.3)	37	LSI-C-C5-33	215/(l.4)
11	LRI-M-C5-1d	215/(k.3)	38	LRI-M-C5-3h	215/(l.4)
12	LRI-M-C5-1m	215/(k.3)	39	LRI-M-C5-3d	215/(l.4)
13	LSI-M-C6-04	213/(h.4)	40	LRI-M-C5-3m	215/(l.4)
14	LSI-C-C6-03	213/(h.4)	41	LSI-C-C5-37	216/(m.4)
15	LSI-M-C6-05	213/(h.4)	42	LSI-C-C5-36	216/(m.4)
16	LSI-M-C5-07	214/(i.4)	43	LRI-M-C5-5h	216/(m.4)
17	LSI-M-C5-06	214/(i.4)	44	LRI-M-C5-5d	216/(m.4)
18	LSI-C-C5-26	214/(i.4)	45	LRI-M-C5-5m	216/(m.4)
19	LSI-M-C5-05	214/(i.4)			
20	LSI-M-C5-02	214/(i.3)			
21	LSI-M-C5-03	214/(i.3)			
22	LSI-C-C5-23	214/(i.3)			
23	LSI-M-C5-04	214/(i.3)			
24	LSI-M-C4-05	213/(h.3)			
25	LSI-M-C4-04	213/(h.3)			
26	LSI-C-C4-03	213/(h.3)			
27	LSI-C-C5-21	211/(e.2)			

REVISION					
NO.	DATE	DRAWN BY	CHECKED BY	APPROVED BY	NOTES
0	July 20, 1999	J. Tenorio			
1	Jan 31, 2001	J. Tenorio			Remove Gage 31

NUPEC/NRC PCCV STRUCTURAL BEHAVIOR TEST MODEL

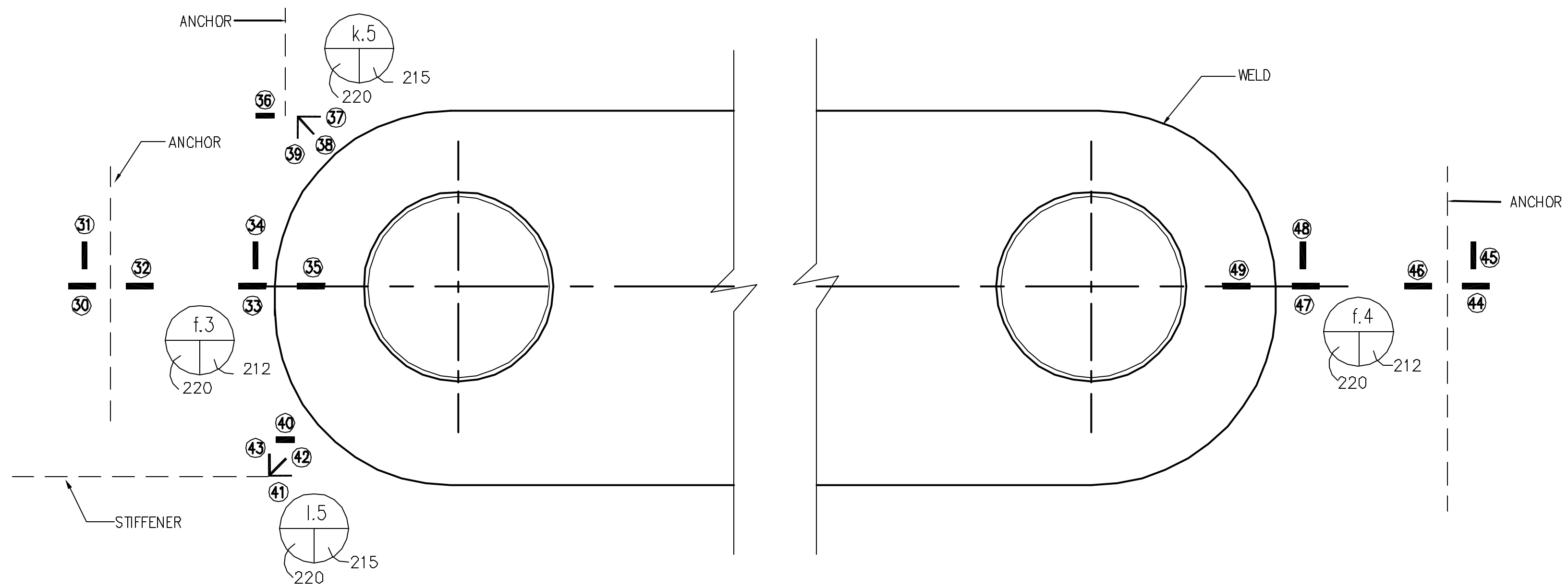
DRAWING NO. D-SN-P-219 SCALE: A/L NO SCALE

SANDIA NATIONAL LABORATORIES FACILITIES ENGINEERING
ALBUQUERQUE, NEW MEXICO; LIVERMORE, CALIFORNIA; TONOPAH, NEVADA



M/S - INSIDE VIEW

INSTRUMENTATION GAGES		
Instr. #	Labeling (Name)	Details (Drawing #)
1	LSI-C-F5-05	212/(f.1)
2	LSI-M-F5-03	212/(f.1)
3	LSI-C-F5-04	212/(f.1)
4	LSI-C-F5-03	212/(f.1)
5	LSI-M-F5-02	212/(f.1)
6	LSI-C-F5-02	212/(f.1)
7	LSI-C-F5-07	215/(k.4)
8	LRI-M-F5-1h	215/(k.4)
9	LRI-M-F5-1d	215/(k.4)
10	LRI-M-F5-1m	215/(k.4)
11	LSI-C-H5-05	212/(f.2)
12	LSI-M-H5-03	212/(f.2)
13	LSI-C-H5-04	212/(f.2)
14	LSI-C-H5-03	212/(f.2)
15	LSI-M-H5-02	212/(f.2)
16	LSI-C-H5-02	212/(f.2)
17	LSI-C-H5-07	215/(k.7)
18	LRI-M-H5-1h	215/(k.7)
19	LRI-M-H5-1d	215/(k.7)
20	LRI-M-H5-1m	215/(k.7)
21	LSI-C-H5-08	217/(o.1)
22	LSI-M-H5-04	217/(o.1)



F/W - INSIDE VIEW

INSTRUMENTATION GAGES		
Instr. #	Labeling (Name)	Details (Drawing #)
30	LSI-C-F4-04	212/(f.3)
31	LSI-M-F4-02	212/(f.3)
32	LSI-C-F4-03	212/(f.3)
33	LSI-C-F4-02	212/(f.3)
34	LSI-M-F4-01	212/(f.3)
35	LSI-C-F4-01	212/(f.3)
36	LSI-C-F4-06	215/(k.5)
37	LRI-M-F4-1h	215/(k.5)
38	LRI-M-F4-1d	215/(k.5)
39	LRI-M-F4-1m	215/(k.5)
40	LSI-C-F4-08	215/(l.5)
41	LRI-M-F4-2h	215/(l.5)
42	LRI-M-F4-2d	215/(l.5)
43	LRI-M-F4-2m	215/(l.5)
44	LSI-C-H4-04	212/(f.4)
45	LSI-M-H4-02	212/(f.4)
46	LSI-C-H4-03	212/(f.4)
47	LSI-C-H4-02	212/(f.4)
48	LSI-M-H4-01	212/(f.4)
49	LSI-C-H4-01	212/(f.4)

REVISION					
NO.	DATE	DRAWN BY	CHECKED BY	APPROVED BY	NOTES
0	July 20, 1998	J. Tenorio			

NUPEC/NRC PCCV STRUCTURAL BEHAVIOR TEST MODEL
 DRAWING NO. INTERIOR LINER GAGE LAYOUT M/S AND F/W SCALE NO SCALE
 D-SN-P-220
 SANDIA NATIONAL LABORATORIES ENGINEERING
 ALBUQUERQUE, NEW MEXICO; LIVERMORE, CALIFORNIA; TONOPAH, NEVADA