



Public Wireless for the Smart Grid

Secure, Scalable, Reliable

Henry L. Jones II, Ph.D.
Chief Scientist
hjones@smartsynch.com
(601) 362-1780



Public Wireless Value

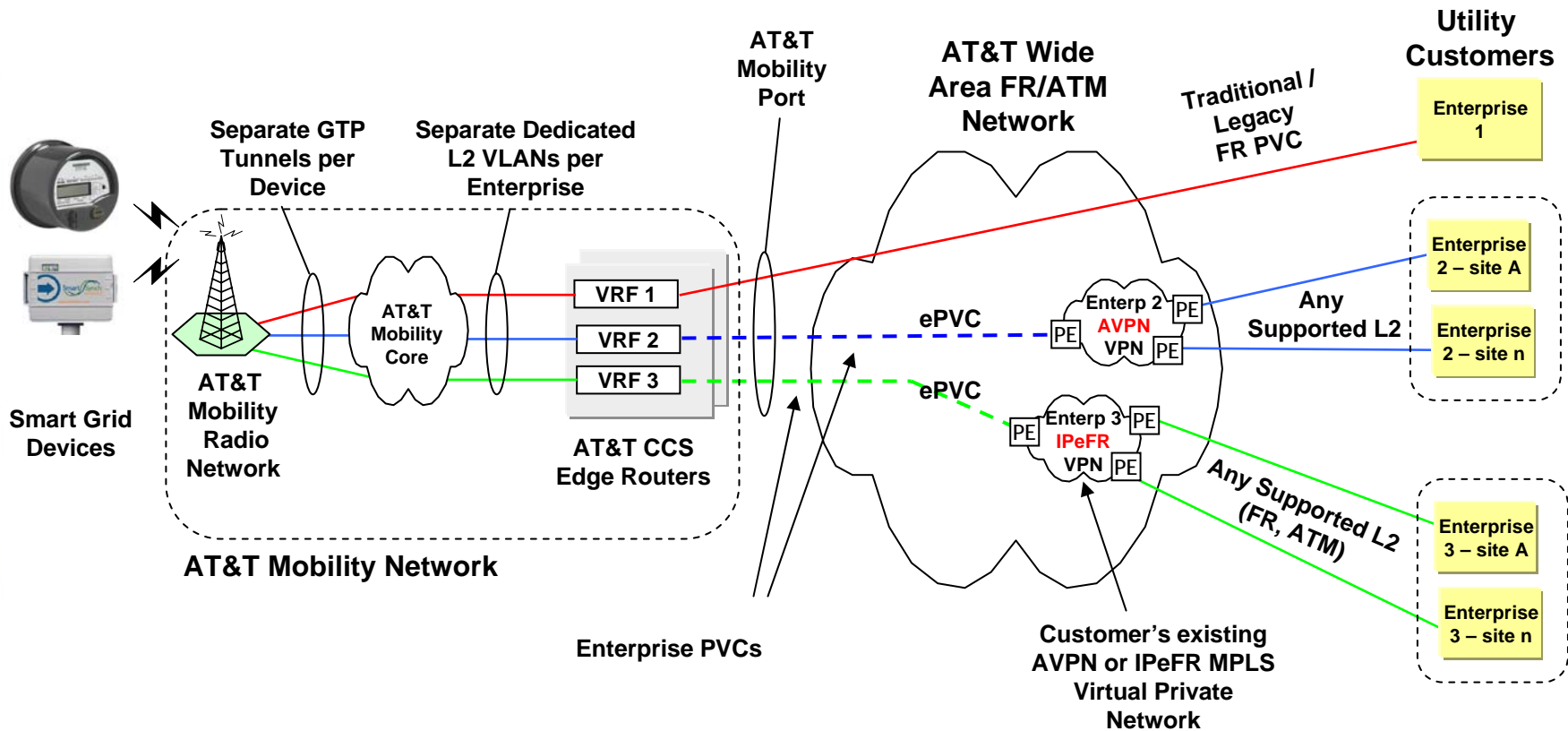
- **Secure**
 - World-class IP-based end-to-end security
- **Reliable**
 - In use by public safety, first responders
- **Scalable**
 - Over three billion users today





PROVEN SECURITY

AT&T Wireless Network Security





PROVEN SCALABILITY



Ample Bandwidth

- Adding all possible meters in the United States = %0.0002 increase in AT&T network traffic





PROVEN RELIABILITY



Investment Comparison

Technology	2008 Endpoints	2012 Endpoints	2008 Investment	Cumulative 2008-2012 Investment
BPL	17,000,000	20,000,000	\$230,000,000	\$2,000,000,000
Proprietary RF	30,000,000	60,000,000	\$300,000,000	\$2,250,000,000
Mesh	2,000,000	25,000,000	\$100,000,000	\$1,260,000,000
Cellular	3,900,000,000	5,000,000,000	\$120,000,000,000	\$700,000,000,000

Worldwide numbers; Based on published information and conservative estimates when required



For further information

Henry Jones

hjones@smartsynch.com

601-362-1780